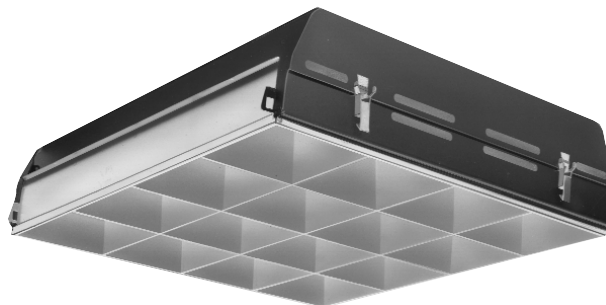


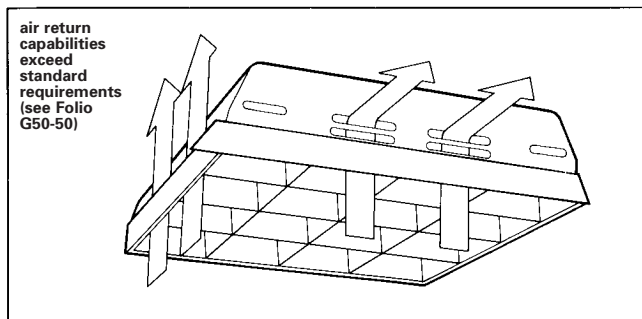
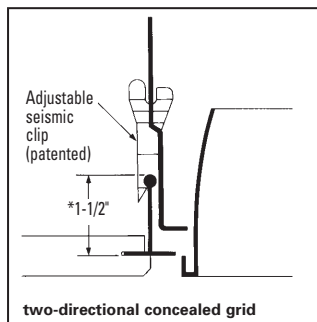
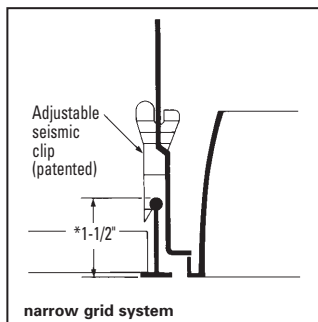
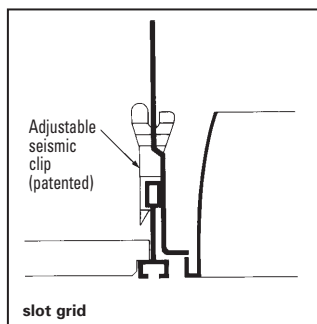
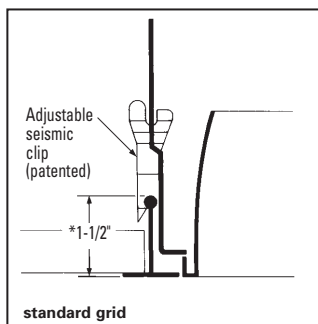
## Features

- 23" x 23" louver
- Efficiency 59.3%.
- One fixture fits 50 different G type and T type ceiling systems.
- Only 5 1/2" deep housing.
- Automatic engaging adjustable seismic clips.
- Pre-anodized aluminum vertical grain parabolic louver.
- 3 1/8" deep louver.
- Low iridescence semi-specular aluminum, standard.
- Spring-loaded latches.
- Protective film dust guard.
- UL-Listed twin knockout access plate.
- Not for continuous row mounting.

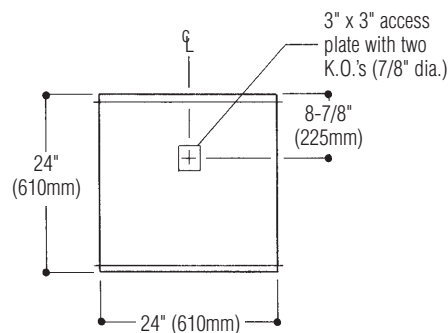
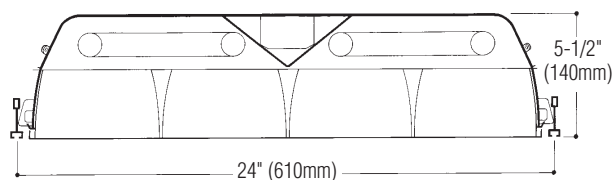


## Mounting Methods

\*If less than 1 1/2", STC spacer is required, 2 each end.



## Dimensions



NOTE: Fixtures may be used for static or air return applications.

## Job Information

## Type:

**Job Name:**

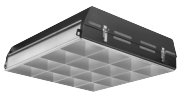
**Cat. No.:**

**Lamp(s):**

**Volts/Ballast:**

**Lightolier** a Genlyte Thomas Company [www.lightolier.com](http://www.lightolier.com)  
 Technical Information: (978) 657-7600 • Fax (978) 658-0595  
 631 Airport Road, Fall River, MA 02720 • (508) 679-8131 • Fax (508) 674-4710  
 We reserve the right to change details of design, materials and finish.  
 © 2003 Genlyte Thomas Group LLC (Lightolier Division)  
 A0902

**Section 2/Folio G50-53 Rev. A**



# Paralyte 2424 PLA2G16LS26U

2' x 2' Recessed Fluorescent, 3-1/8" Deep, 16 Cell Parabolic Louver  
Static and Air Return 2 Lamp, T8 or T12

### Photometry

Model No. PLA2G16LS26U120S0

**itl boulder**  
THE LIGHT CENTER OF THE INDUSTRY  
INDEPENDENT TESTING LABORATORIES, INC. • 3386 LONGHORN ROAD, BOULDER, COLORADO 80302 • PHONE (303) 442-1255

REPORT NUMBER: ITL34139 DATE: 2-09-1988  
PREPARED FOR: LIGHTOLIER  
CATALOG NUMBER: PLA2G16LS26U120S0  
LUMINAIRE: FABRICATED METAL HOUSING, WHITE PAINTED REFLECTOR, SPECTULAR 16-CELL PARABOLIC LOUVER.  
LAMPS: TWO FRO31/41K, 0-LAMP, RATED 2800 LUMENS.  
BALLAST: ADVANCE CAT. NO. RP32-TP  
MOUNTING: RECESSED  
TOTAL INPUT WATTS = 68.7 AT 120.0 VOLTS  
THE 0 DEGREE PLANE IS OPPOSITE THE SOCKETS.

**CANDELA DISTRIBUTION**

0-0	45-0	90-0	135-0	180-0	FLUX
0	1451	1451	1451	1451	1451
5	1449	1446	1435	1446	1449
15	1362	1305	1274	1299	1366
25	1234	1116	1163	1111	1237
35	1064	1010	1230	1014	1067
45	851	962	1252	964	824
55	683	799	1046	783	616
65	57	151	91	97	58
75	12	21	9	13	9
85	2	3	0	0	0
90	0	0	0	0	0

**ZONAL LUMEN SUMMARY**

ZONE	LUMENS	%LAMP	%FIXT
0-30	1042	18.6	31.4
0-40	1715	30.6	51.7
0-60	3150	56.2	94.9
0-90	3320	59.3	100.0
90-180	0	0.0	0.0
0-180	3320	59.3	100.0

TOTAL LUMINAIRE EFFICIENCY = 59.3 %  
TOTAL REFLECTANCE OF PAINT = 90.9 %  
CIE TYPE - DIRECT

PLANE : 0-DEG 90-DEG 180-DEG  
SPACING CRITERIA : 1.2 1.3 1.2  
SHIELDING ANGLES : 31 31 31  
PLANE : 0-DEG 90-DEG  
LUMINOUS LENGTH : 22.500 22.500

LUMINANCE DATA IN FOOTLAMBERTS

ANGLE IN DEG	AVERAGE 0-DEG	AVERAGE 90-DEG	AVERAGE 180-DEG
45	1075	1582	1042
55	908	1630	802
65	206	193	124
75	42	31	31
85	16	0	0

LEGEND:  
0-DEG: ———  
90-DEG: - - - -  
180-DEG: ·····

THIS REPORT IS BASED ON PUBLISHED INDUSTRY PROCEDURES • FIELD PERFORMANCE MAY DIFFER FROM LABORATORY PERFORMANCE

LER = FP - 49.5 IW - 58.0 BF - 0.87

Comparative yearly lighting energy cost per 1000 lumens = \$4.85

coefficients of utilization — zonal cavity method (effective floor cavity reflectance 0.20)

RF	20			20			20			
RC	80			50			30			
RW	70	50	30	50	30	10	50	30	10	
room cavity ratio	1	66	64	62	60	59	58	58	57	56
	2	62	58	55	55	52	50	53	51	49
	3	57	52	48	50	46	44	48	45	43
	4	53	47	42	45	41	38	43	40	38
	5	48	42	37	40	36	33	39	35	33
	6	45	37	33	36	32	29	35	31	29
	7	41	34	29	32	28	25	31	28	25
	8	38	30	25	29	25	22	28	24	21
	9	34	27	22	26	22	19	25	21	18
	10	32	24	20	23	19	16	23	19	16

visual comfort probability (rated lumens per lamp 3150.)

room size		ceiling height				ceiling height			
W	L	8.5	10.0	13.0	16.0	8.5	10.0	13.0	16.0
20	20	81	75	71	80	79	69	60	71
20	30	84	78	74	73	82	73	66	65
20	40	86	80	77	75	82	75	70	69
20	60	87	81	80	78	83	75	73	72
30	20	85	79	71	76	83	75	64	70
30	30	87	82	74	70	86	78	68	65
30	40	88	83	77	72	86	79	72	68
30	60	89	84	80	75	86	79	75	72
30	80	89	85	81	78	86	79	74	72
40	20	86	82	75	75	84	77	69	71
40	30	88	83	77	70	87	80	73	67
40	40	89	85	80	73	87	81	76	70
40	60	90	86	82	75	87	81	77	73
40	80	90	86	83	78	87	81	77	73
40	100	91	86	83	78	87	81	77	73
60	30	88	84	79	73	87	81	75	70
60	40	89	86	82	75	88	82	78	73
60	60	90	87	83	77	88	82	79	75
60	80	91	87	84	79	88	83	79	75
60	100	91	87	85	80	88	83	79	75
100	40	89	86	82	77	88	82	79	74
100	60	90	87	84	79	88	82	81	77
100	80	91	87	85	81	88	83	81	78
100	100	91	88	86	82	88	83	81	78

### Ordering Information

Explanation of Catalog Number. Example: PLA2G16LS26U120S0GLR

<b>PL</b> Paralyte 2424: 3-1/8" Deep Parabolic Precision Contoured Pre-anodized Aluminum Louver	<b>A</b> Body Style: A= Air Handling /Static	<b>2</b> Fixture Width	<b>G</b> Ceiling Type: G=Grid (lay-in T-bar)	<b>16</b> Number of Cells	<b>S</b> Ballast Cover: S=Single V Reflector	<b>2</b> Lamp Quantity	<b>6U</b> Lamp/ Fixture Length: 6" U Lamp T8 or T12 (Nominal 24")	<b>120 or 277</b> Voltage:	<b>1-2 Lamp Mag. T12</b> <b>1-2 Lamp Elec. T8 LOL T8 Dimming</b> *Instant Start Standard	<b>Options:</b> Add appropriate suffix to catalog no. ie: (GLR) <b>LE</b> <20THD <b>S0*</b> <10THD <b>PS</b> HI* -
---	--	---------------------------	--	------------------------------	--	---------------------------	---	-------------------------------	--	--

**Louver Finish:**  
L = Low Iridescence  
Semi-specular  
Standard  
W = White Paint

Other dimming options. Consult factory.

### Options & Accessories

**Prewiring:** 3/8" factory prewired cable (three no. 18 AWG leads, 6' long), Suffix: **FF6**, (Four no. 18 AWG leads, 6' long), Suffix: **FF14**.

**Fusing:** Internal fast-blow fusing. Suffix: **GLR**.

Internal slow-blow fusing. Suffix: **GMF**.

**Fluorescent Emergency Lighting System:** Factory-installed emergency power battery pack with charger and inverter, concealed in fixture channel. Operates one fluorescent lamp at reduced light output for 90 minutes. Suffix: **EM**.

**Radio Interference Filter:** 120 or 277 volt, 50 or 60 Hz.

One per fixture. Suffix: **R**. One per ballast. Suffix: **B**.

**Electrical Options:** Special wiring, fusing or dimming ballasts and installed lamps are available, consult your Lightolier representative or factory.

**T-Bar Spacer:** If T-bar is less than 1-1/2" deep, order Catalog Number: **STC**. 2 each end is required.

### Specifications

**Performance:** In an installation of 2 lamp 31W luminaires in a room cavity ratio of 1, with reflectance of 80% ceiling, 50% wall, 20% floor, the C.U shall not be less than 64. To prevent glare the VCP shall not be less than 88 either lengthwise or crosswise (at 100fc level) and the average brightness at 65° shall not exceed 206 foot-lamberts. To control veiling reflections, luminaire output in the 30°-90° zone shall not be less than 68.6%.

### Specifications (continued)

**Air Return:** Designed to provide optimum air return. Air is returned through the lamp compartment for all ceiling systems and direct to plenum through slots in slot grid and narrow grid ceiling systems.

**Materials: Chassis parts** are die-formed code gauge cold rolled steel. **Housing** is pre-anodized aluminum (Coilzak® or equal).

**Finish: Louver**—semi-specular anodized low iridescence, vertical grain reflector sheet. **Cavity**—white baked polyester minimum 86% reflectance. Phosphate undercoating. **Chassis exterior**—black baked polyester enamel.

**Electrical:** Thermally protected class "P" ballast C.B.M. approved, non PCB. If K.O. is within 3" of ballast, use wire suitable for at least 90°.

**Labels:** I.B.E.W./UL and ULc Listed.

### Job Information

### Type:

Lightolier a Genlyte Thomas Company www.lightolier.com  
Technical Information: (978) 657-7600 • Fax (978) 658-0595  
631 Airport Road, Fall River, MA 02720 • (508) 679-8131 • Fax (508) 674-4710  
We reserve the right to change details of design, materials and finish.  
© 2003 Genlyte Thomas Group LLC (Lightolier Division)  
A0902 **Section 2/Folio G50-53 Rev. A**



## Free Manuals Download Website

<http://myh66.com>

<http://usermanuals.us>

<http://www.somanuals.com>

<http://www.4manuals.cc>

<http://www.manual-lib.com>

<http://www.404manual.com>

<http://www.luxmanual.com>

<http://aubethermostatmanual.com>

Golf course search by state

<http://golfingnear.com>

Email search by domain

<http://emailbydomain.com>

Auto manuals search

<http://auto.somanuals.com>

TV manuals search

<http://tv.somanuals.com>