

# Sealatron Enclosed Industrial Fluorescent **STW Series**

Page 1 of 2

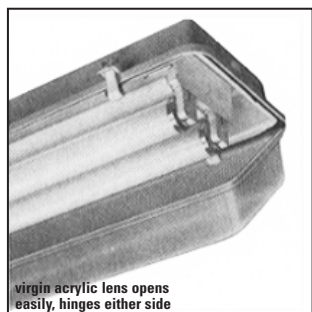
Wet /Damp Locations, Rapid Start, Slimline/High Output,  
1 or 2 Lamp T5 or T8

## Features

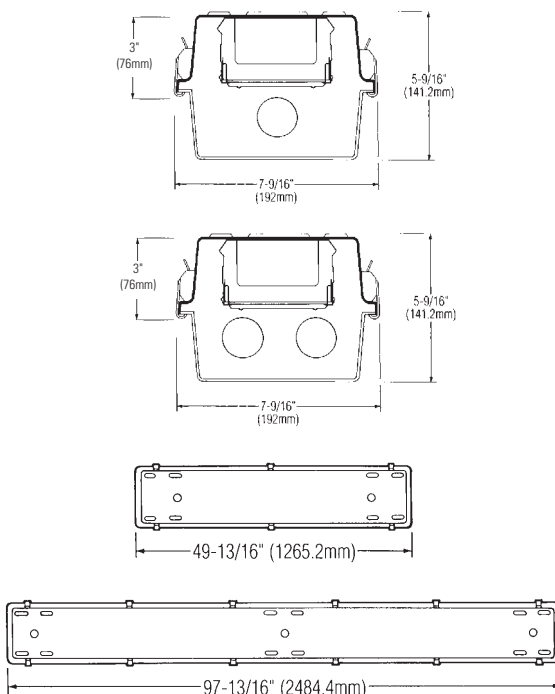
- One-piece impact resistant, reinforced polyester fiberglass housing.
- 50% high impact DR acrylic lens.
- Crepe pattern inner surface lens.
- Continuous, compressible, closed-cell neoprene gasket bonded to housing.
- Lock-tight plastic molded cam-action tension latches.
- UL-Listed for wet locations.
- K.O.'s provided throughout for easy access.
- Chicago Plenum approval No. 4297E.



## Mounting Methods



## Dimensions



Job Information	Type:
<b>Job Name:</b>	
<b>Cat. No.:</b>	
<b>Lamp(s):</b>	
<b>Volts/Ballast:</b>	

**Lightolier** [www.lightolier.com](http://www.lightolier.com)  
 Technical Information: (978) 657-7600 • Fax (978) 658-0595  
 631 Airport Road, Fall River, MA 02720 • (508) 679-8131 • Fax (508) 674-4710  
 We reserve the right to change details of design, materials and finish.  
 © 2006 a Genlyte company **Section 7/Folio Q20-32 Rev. D**

**LIGHTOLIER**



# Sealatron Enclosed Industrial Fluorescent **STW Series**

Wet/Damp Locations, Rapid Start, Slimline/ High Output, 1 or 2 Lamp T5 or T8

### Model No. ST4WA232120SO

LER = FP - 67.9 IW - 53.8 BF - 0.87  
Comparative yearly lighting energy cost per 1000 lumens = \$3.53

Report Number: G97030  
Catalog Number: ST4WA232120SO  
Lamps: F32T8  
Luminaire: Sealatron, enclosed industrial with 25% high impact DR acrylic lens for wet/damp locations.  
Ballast: Triad B2321120RH  
Report is based on 2850 Lumens per lamp.  
Efficiency: 74.8%  
CIE Type-Direct-Indirect  
Plane: 0-Deg 90-Deg  
Spacing Criteria: 1.2 1.5

#### CANDELA DISTRIBUTION

	0.0	45.0	90.0	FLUX
0	978	978	978	
5	966	978	987	93
15	925	957	984	271
25	845	912	974	421
35	731	847	946	529
45	588	760	888	579
55	429	651	807	569
65	274	539	728	518
75	141	437	629	436
85	43	300	460	307
90	26	251	409	
95	24	222	384	232
105	18	147	275	156
115	12	82	150	81
125	8	44	71	38
135	6	24	39	18
145	6	13	22	8
155	5	5	11	3
165	5	3	3	1
175	5	3	2	0
180	3	3	3	

### Model No. ST4WA254120PG

LER = FP - 62.7 IW - 105.1 BF - 1.0  
Comparative yearly lighting energy cost per 1000 lumens = \$3.83

Report Number: G2005354  
Catalog Number: ST4WA254120SO  
Lamps: F54T5 HO  
Luminaire: Sealatron, enclosed industrial with 25% high impact DR acrylic lens for wet/damp locations.  
Ballast: B254PUNVD  
Report is based on 4400 Lumens per lamp.  
Efficiency: 74.8%  
CIE Type-Direct-Indirect  
Plane: 0-Deg 90-Deg  
Spacing Criteria: 1.2 1.5

#### CANDELA DISTRIBUTION

	0.0	45.0	90.0	FLUX
0	1413	1413	1413	
5	1391	1414	1434	135
15	1338	1403	1449	396
25	1237	1362	1447	626
35	1093	1288	1433	802
45	909	1188	1359	899
55	681	1019	1220	886
65	420	811	1090	786
75	194	699	1018	688
85	55	496	693	480
90	26	387	568	
95	38	454	679	423
105	26	259	547	291
115	13	87	202	101
125	0	47	70	37
135	0	28	41	18
145	0	13	27	8
155	0	6	10	1
165	0	0	0	0
175	0	0	0	0
180	0	0	0	0

#### COEFFICIENTS OF UTILIZATION - ZONAL CAVITY METHOD. EFFECTIVE FLOOR CAVITY REFLECTANCE 0.20

RC	80	50	30
RW 70	70	50	30
1	77	62	58
2	69	56	51
3	62	54	47
4	57	47	42
5	52	42	35
6	48	37	30
7	44	34	27
8	41	31	24
9	38	28	22
10	36	26	20

#### COEFFICIENTS OF UTILIZATION - ZONAL CAVITY METHOD. EFFECTIVE FLOOR CAVITY REFLECTANCE 0.20

RC	80	50	30
RW 70	70	50	30
1	77	68	64
2	69	62	55
3	62	53	46
4	57	47	40
5	52	41	34
6	48	37	30
7	44	33	27
8	41	30	24
9	38	28	22
10	36	25	20

#### LUMINANCE DATA IN CANDELA/SQ. METER

AVERAGE IN DEG.	AVERAGE 0-DEG.	AVERAGE 45-DEG.	AVERAGE 90-DEG.
45	3724.	4172.	4301.
55	3281.	4097.	4315.
65	2750.	4122.	4496.
75	2152.	4428.	4770.
85	1463.	4716.	4702.

#### ZONAL LUMEN SUMMARY

ZONE	LUMENS	% LAMP	% FIXT
0- 30	785	13.8	18.4
0- 40	1314	23.1	30.8
0- 60	2462	43.2	57.8
0- 90	3723	65.3	87.4
90-120	469	8.2	11.0
90-130	507	8.9	11.9
90-150	533	9.4	12.5
90-180	538	9.4	12.6
0-180	4261	74.8	100.0

#### LUMINANCE DATA IN CANDELA/SQ. METER

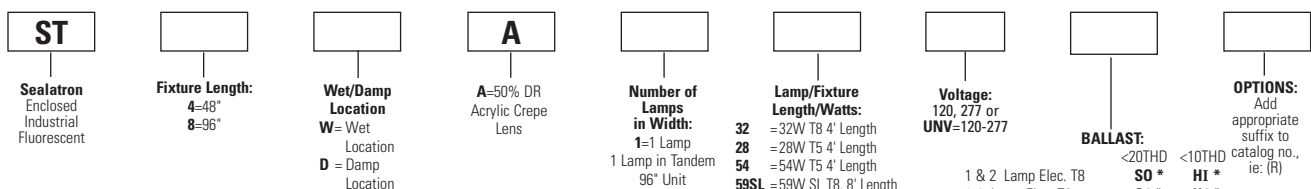
AVERAGE IN DEG.	AVERAGE 0-DEG.	AVERAGE 45-DEG.	AVERAGE 90-DEG.
45	5489.	6321.	6462.
55	4968.	6253.	6461.
65	4024.	6097.	6743.
75	2832.	7059.	7858.
85	1800.	7996.	7411.

#### ZONAL LUMEN SUMMARY

ZONE	LUMENS	% LAMP	% FIXT
0- 30	1157	13.2	17.6
0- 40	1960	22.3	29.8
0- 60	3745	42.6	56.9
0- 90	5699	64.8	86.6
90-120	815	9.3	12.4
90-130	852	9.7	13.0
90-150	879	10.0	13.4
90-180	880	10.0	13.4
0-180	6579	74.8	100.0

## Ordering Information

Explanation of Catalog Number. Example: ST4WA232120SOR<sup>†</sup>



#No product change. New Catalog Number Designation.

## Options/Accessories

**Water Tight Kits:** One installed each end of fixture. For additional kits, order Catalog Number: **STW DC2**.

**Electrical/Wiring Options:** Consult factory.

**Radio Interference Filter:** 120 or 277 volt, 50 or 60 Hz. One per fixture. Suffix: **R**. One per ballast. Suffix: **B**.

**Fusing:** Internal fast-blow fusing. Suffix: **GLR**.  
Internal slow-blow fusing. Suffix: **GMF**.

**Top Mounting Bracket:** Order Catalog Number: **STW TOP BRACKET**.

## Specifications

**Materials:** Inner Chassis parts are die-formed code gauge cold rolled steel, 1-5/8" deep x 4-5/8" channel width.

**Lens:** Molded, one-piece impact resistant .125" starting thickness smooth virgin acrylic with crepe on inner surface. Lens enclosure shall be fully gasketed to seal fixture from dirt, moisture and other contaminants.

**Latches:** Lock-tight molded cam-action tension latches, securely clamp to fixture.

**Finish:** Inner chassis exterior—baked white polyester enamel, 84% minimum reflectance.

## Specifications (continued)

**Electrical:** Thermally protected class "P" ballast C.B.M. approved, non PCB. If K.O. is within 3" of ballast, use wire suitable for at least 90°.

**Labels:** I.B.E.W./UL and ULc Listed.

## Job Information Type:

**Lightolier** www.lightolier.com  
Technical Information: (978) 657-7600 • Fax (978) 658-0595  
631 Airport Road, Fall River, MA 02720 • (508) 679-8131 • Fax (508) 674-4710  
We reserve the right to change details of design, materials and finish.  
Copyright 2006 Lightolier **Section7/Folio Q20-32 REV. D**



## Free Manuals Download Website

<http://myh66.com>

<http://usermanuals.us>

<http://www.somanuals.com>

<http://www.4manuals.cc>

<http://www.manual-lib.com>

<http://www.404manual.com>

<http://www.luxmanual.com>

<http://aubethermostatmanual.com>

Golf course search by state

<http://golfingnear.com>

Email search by domain

<http://emailbydomain.com>

Auto manuals search

<http://auto.somanuals.com>

TV manuals search

<http://tv.somanuals.com>