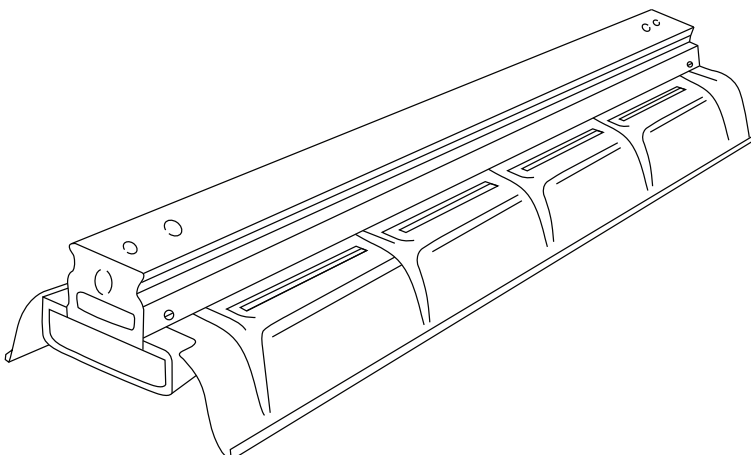


TU Turret Industrial Fluorescent **TU Series**

Features

- Rugged telescoping turret lamp holders.
- Optimum 5 3/8" lamp spacing (2 lamp units).
- Reflector is embossed for rigidity.
- Reflector sides are turned up for rigidity and safe handling.
- 12% aperture reflector, standard.
- Solid top reflector, optional.
- Reflector secured to housing with easy to use thumb screws.
- 4-1/8" wide clevis type housing channel.
- Fully enclosed wiring.
- Optional porcelain reflectors.
- Optional slide grip hangers.
- Optional heavy duty coupling, wire guards and reflector aligners.

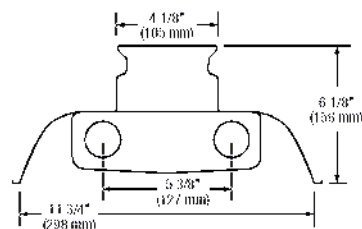
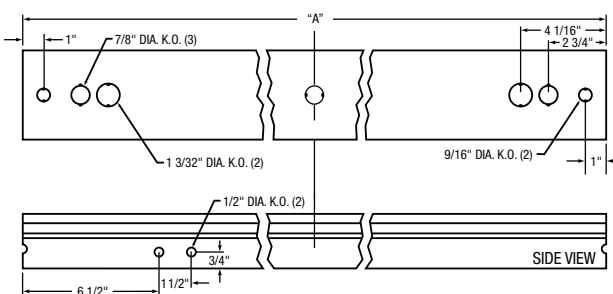


Mounting Accessories



Dimensions

DIM "A"		
4' CHANNEL	(1274 mm)	50 5/32"
8' CHANNEL	(2548 mm)	100 5/16"



Job Information	Type:
Job Name:	
Cat. No.:	
Lamp(s):	
Volts/Ballast:	

Lightolier a Genlyte company www.lightolier.com
 Technical Information: (978) 657-7600 • Fax (978) 658-0595
 631 Airport Road, Fall River, MA 02720 • (508) 679-8131 • Fax (508) 674-4710
 We reserve the right to change details of design, materials and finish.
 © 2007 a Genlyte company **Section 7/Folio Q60-17**

TU Turret Industrial Fluorescent TU Series

Model No. TU4A232UNVHI

LER = FI - 80 IW - 61 BF - .92
Comparative yearly lighting energy cost per 1000 lumens = \$3.00

Report Number: ITL42334
Catalog Number: TU4A232UNVHI
Lamps: F32T8
Luminaire: Fabricated metal ballast housing. White polyester painted finish.
Ballast: B2321120RH
Report is based on 2900 Lumens per lamp.
Efficiency: 91.7%
CIE Type-Semi-Direct
Plane: 0-Deg 90-Deg
Spacing Criteria: 1.3 1.4
Shielding Angles: 90 90
Plane: 0-Deg 90-Deg
Luminous Length: 50.000 12.500

CANDELA DISTRIBUTION

	0.0	45.0	90.0	FLUX
0	1452	1452	1452	
5	1452	1453	1447	138
15	1407	1426	1429	402
25	1312	1345	1360	620
35	1178	1230	1264	771
45	1001	1080	1198	847
55	792	952	884	792
65	555	626	644	618
75	304	405	268	370
85	77	81	65	97
95	8	19	20	21
105	59	23	69	37
115	127	17	21	39
125	197	43	18	64
135	265	112	57	101
145	322	188	136	129
155	369	252	220	131
165	399	389	318	103
175	413	410	409	39

COEFFICIENTS OF UTILIZATION - ZONAL CAVITY METHOD. EFFECTIVE FLOOR CAVITY REFLECTANCE 0.20

RC	80	50	30	10	50	30	10
RW 70	92	88	83	80	78	78	75
2	88	80	74	72	67	63	64
3	80	70	62	63	57	53	59
4	73	62	54	56	50	44	52
5	67	55	47	50	43	38	47
6	61	49	41	45	38	33	42
7	57	44	36	41	34	29	38
8	53	40	33	37	31	26	35
9	49	37	29	34	28	23	32
10	46	34	27	31	25	21	30

ZONAL LUMEN SUMMARY

ZONE	LUMENS	% LAMP	% FIXT
0- 30	1160	20.0	21.8
0- 40	1931	33.3	36.3
0- 60	3570	61.6	67.1
0- 90	4656	80.3	87.5
90-180	664	11.4	12.5
0-180	5320	91.7	100.0

Model No. TU4A332UNVH3

LER = FI - 81 IW - 89 BF - .93
Comparative yearly lighting energy cost per 1000 lumens = \$2.96

Report Number: ITL42335
Catalog Number: TU4A332UNVH3
Lamps: F32T8
Luminaire: Fabricated metal ballast housing. White polyester painted finish.
Ballast: B3321120RH
Report is based on 2900 Lumens per lamp.
Efficiency: 89.4%
CIE Type-Semi-Direct
Plane: 0-Deg 90-Deg
Spacing Criteria: 1.3 1.4
Shielding Angles: 90 90
Plane: 0-Deg 90-Deg
Luminous Length: 50.000 12.500

CANDELA DISTRIBUTION

	0.0	45.0	90.0	FLUX
0	2242	2242	2242	
5	2242	2242	2235	213
15	2165	2198	2207	620
25	2012	2074	2108	955
35	1798	1898	1945	1184
45	1521	1651	1776	1281
55	1191	1391	1358	1187
65	819	959	970	928
75	430	462	263	455
85	87	87	72	107
95	10	27	23	29
105	68	84	77	72
115	141	65	151	101
125	218	57	60	85
135	289	133	73	117
145	350	215	158	146
155	389	283	250	146
165	429	419	353	113
175	442	439	437	42

COEFFICIENTS OF UTILIZATION - ZONAL CAVITY METHOD. EFFECTIVE FLOOR CAVITY REFLECTANCE 0.20

RC	80	50	30	10	50	30	10
RW 70	91	87	82	80	77	77	75
2	86	79	73	72	67	63	67
3	78	69	62	63	57	53	59
4	72	61	53	56	50	45	52
5	66	54	46	50	43	38	47
6	61	49	41	45	38	33	42
7	56	44	36	41	34	29	38
8	52	40	32	37	31	26	35
9	49	37	29	34	28	23	32
10	45	34	27	31	25	21	30

ZONAL LUMEN SUMMARY

ZONE	LUMENS	% LAMP	% FIXT
0- 30	1789	20.6	23.0
0- 40	2972	34.2	38.2
0- 60	5440	62.5	69.9
0- 90	6931	79.7	89.1
90-180	850	9.8	10.9
0-180	7780	89.4	100.0

Ordering Information

Explanation of Catalog Number. Example: TU4A232UNVHI

<div style="border: 1px solid black; padding: 5px; width: 40px; margin: 0 auto;">TU</div> <p>Turret Industrial: Flat Reflector deep channel housing</p>	<div style="border: 1px solid black; padding: 5px; width: 40px; margin: 0 auto;"> </div> <p>Fixture Length: 4 = 48" 8 = 96"</p>	<div style="border: 1px solid black; padding: 5px; width: 40px; margin: 0 auto;"> </div> <p>Reflector</p> <table border="1" style="margin: 0 auto;"> <tr> <td>Reflector</td> <td>White Paint</td> <td>Porcelain</td> </tr> <tr> <td>12% Up-Light</td> <td style="text-align: center;">A</td> <td style="text-align: center;">P</td> </tr> <tr> <td>Solid Top</td> <td style="text-align: center;">S</td> <td style="text-align: center;">T</td> </tr> </table>	Reflector	White Paint	Porcelain	12% Up-Light	A	P	Solid Top	S	T	<div style="border: 1px solid black; padding: 5px; width: 40px; margin: 0 auto;">32</div> <p>Lamp Types/Watts: 32=32W T8</p>	<div style="border: 1px solid black; padding: 5px; width: 40px; margin: 0 auto;"> </div> <p>Number of Lamps in Width: (By Others) 2 or 3 Lamps</p>	<div style="border: 1px solid black; padding: 5px; width: 40px; margin: 0 auto;"> </div> <p>Voltage: 120 or 277 UNV=120-277</p>	<div style="border: 1px solid black; padding: 5px; width: 40px; margin: 0 auto;"> </div> <p>Electronic:</p> <p>1-2 Lamp Elec. T8 1&2 Lamp Elec. T8 1-3 or 2-3 Lamp Elec. T8 1-4 Lamp Elec. T8 (96" Fixture Only) *Instant Start Standard Note: For T8 UNV you must use HI, H3 or H4 Ballast code</p>	<div style="border: 1px solid black; padding: 5px; width: 40px; margin: 0 auto;"> </div> <p>Ballast Type:</p> <p><20THD <10THD S0* H1* S0* H1* 03* H3* 04* H4*</p>	<div style="border: 1px solid black; padding: 5px; width: 40px; margin: 0 auto;"> </div> <p>Options: Add appropriate suffix to catalog no., ie: (GLR)</p>
Reflector	White Paint	Porcelain															
12% Up-Light	A	P															
Solid Top	S	T															

Options/Accessories

Fusing: Internal fast blow fusing: SUFFIX: **GLR**.
Internal slow blow fusing: SUFFIX: **GMF**.

Electrical Wiring Options: Consult factory.

Fluorescent Emergency Lighting Systems: Factory-installed emergency power battery pack with charger and inverter. SUFFIX: **EM**.

Wire Guard: 4' Wire guard available. Specify two for 96" fixtures.
Catalog Number: **LFL-173**.

Reflector Row Aligners: Two aligners are included with all fixtures. For additional aligners order Catalog Number: **TU-SNA**.

Housing Row Couplers: Required to connect and stabilize continuous rows of chain or stem-mounted fixtures. Specify one coupler per joint. Catalog Number: **LFL-3**

Slide Grip Hanger: Accepts 1/2" threaded stems or rods. Slides into fixture channel grooves at any point along chassis. Catalog Number: **LFL-111**.

Canopy Spacer: Suspends fixture approximately 1-1/2" from surface and can be used in conjunction with slide-grip hanger. Catalog Number: **AC1 CSP**

Stem and Canopy Set: Suspends fixture 6", 12", 18" or 24" from surface. Catalog Number: **ASC6 CSP (6")**, **ASC12 CSP (12")**, **ASC18 CSP (18")**, **ASC24 CSP (24")**.

Cord and Plug: Specify NEMA configuration and cord exit location when ordering. For 120 volt fixtures specify: Catalog Number **CPA* NEMA 5-15P**. For 277 volt fixtures specify: **CPB* NEMA**.

Chain Hanger Kits: Includes two 5' heavy duty link chains with "S" hooks for fixture suspension. Catalog Number: **LFL-123**

Specifications

Materials: Chassis parts are die-formed code gauge cold rolled steel, 2-5/8" deep X 4-1/8" wide channel, grooved along the entire length for strength and rigidity.

Reflector: Heavy duty die-formed with deep lateral embossments for additional stability and uniformity with positive securing thumb screws for attachment to housing.

Finish: Chassis - baked white polyester enamel. Phosphate undercoating.

Reflector - baked white polyester enamel (standard), porcelain reflector finish (optional).

Electrical: Thermally protected class "P" ballast C.B.M. approved, non PCB. If K.O. is within 3" of ballast, use wire suitable for at least 90°.

Labels: I.B.E.W. Listed by Underwriters Laboratories. Suitable for indoor dry and damp locations.

This product may have a mercury containing lamp. Manage in accord with Disposal Laws. See: www.lamprecycle.org

Job Information	Type:
------------------------	--------------

Lightolier a Genlyte company www.lightolier.com
Technical Information: (978) 657-7600 • Fax (978) 658-0595
631 Airport Road, Fall River, MA 02720 • (508) 679-8131 • Fax (508) 674-4710
We reserve the right to change details of design, materials and finish.
© 2007 a Genlyte company **Section 7/Folio Q60-17**

LIGHTOLIER®

Free Manuals Download Website

<http://myh66.com>

<http://usermanuals.us>

<http://www.somanuals.com>

<http://www.4manuals.cc>

<http://www.manual-lib.com>

<http://www.404manual.com>

<http://www.luxmanual.com>

<http://aubethermostatmanual.com>

Golf course search by state

<http://golfingnear.com>

Email search by domain

<http://emailbydomain.com>

Auto manuals search

<http://auto.somanuals.com>

TV manuals search

<http://tv.somanuals.com>