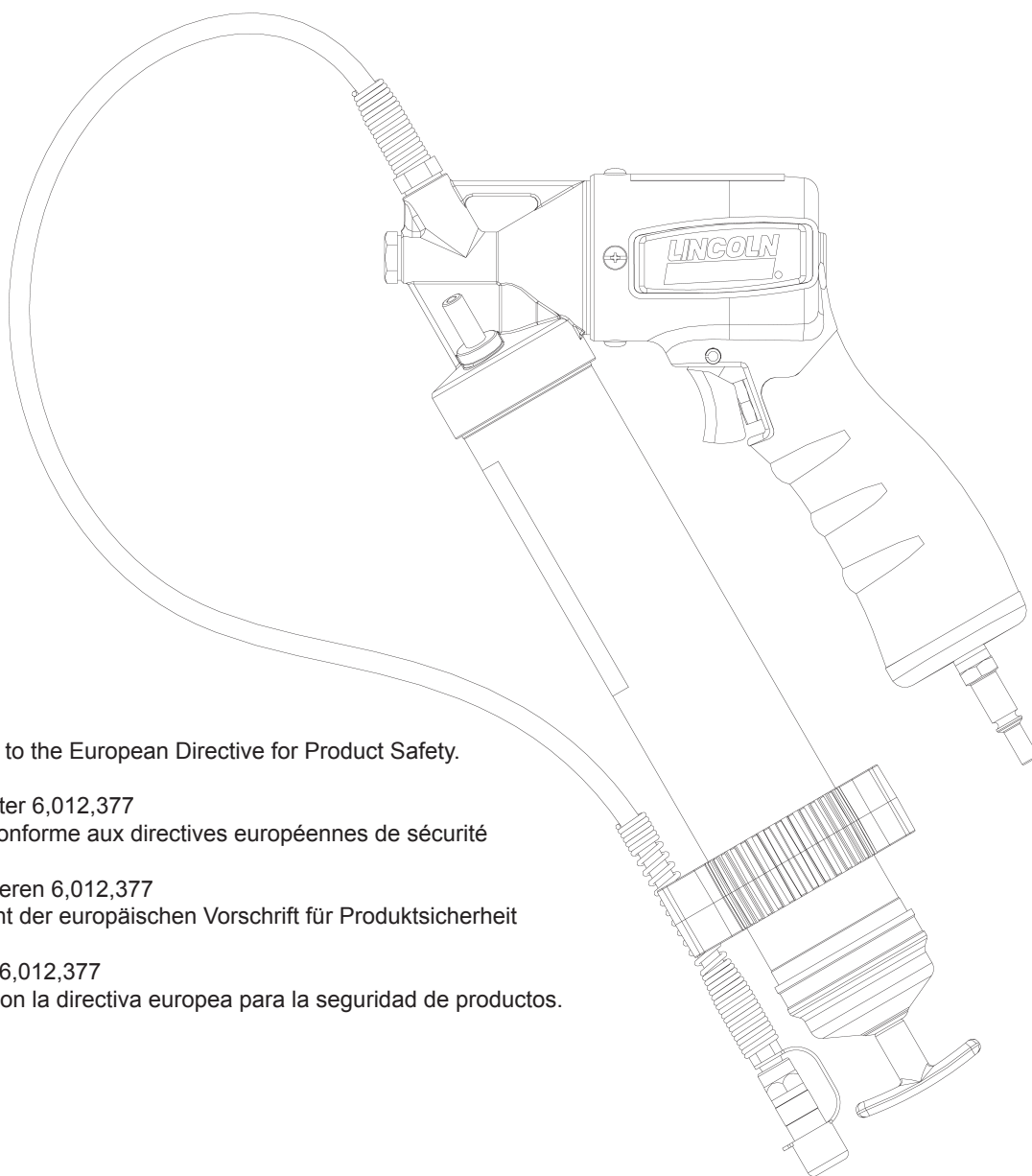


**AUTOMATIC AIR GREASE GUN
MODEL 1162**

**PISTOLET PNEUMATIQUE A GRAISSE
MODELE 1162**

**AUTOMATISCHE DRUCKLUFTFETTPRESSE
MODELL 1162**

**ENGRASADOR NEUMÁTICO AUTOMÁTICO
MODELO 1162**



US Patent 6,012,377

This grease gun conforms to the European Directive for Product Safety.

Les Etats-Unis Font breveter 6,012,377

Ce pistolet à graisse est conforme aux directives européennes de sécurité

Vereinigte Staaten Patentieren 6,012,377

Diese Fettpresse entspricht der europäischen Vorschrift für Produktsicherheit

Estados Unidos Patentan 6,012,377

Este engrasador cumple con la directiva europea para la seguridad de productos.



Table of Contents

Safety.....2
 Personal Safety.....2
 Description.....2 & 3
 Appropriate Use.....4
 Specifications.....4
 Work Area.....4
 Inspection.....4
 Operation.....4
 Removing Empty Grease Cartridge.....4
 Installation of Grease Cartridge.....4
 To Convert Gun.....5
 To Fill the Gun from Bulk Container.....5
 To Fill the Gun with a Filler Pump.....5
 To Expel Air Pockets.....5
 Service Parts.....6 & 7
 Troubleshooting.....8
 French Version.....9 - 15
 German Version.....16 - 22
 Spanish Version.....23 - 29

SAFETY

Read and carefully observe these operating instructions before unpacking and operating the Air Grease Gun. The gun must be operated, maintained and repaired exclusively by a person familiar with the operation instructions. Operate the gun only after safety instructions and this operation manual are fully understood.

 **WARNING**

Extreme pressure may cause whip hose to burst. Use only LINCOLN APPROVED hoses and follow the hose instructions and warnings.

 **WARNING**

Grease gun can develop high pressure - up to 6,000 Psig (414 Bar). Use safety glasses and gloves for protection during operation. Keep hands clear of the exposed rubber portion of hose.

This grease gun generates high grease pressure. Extreme caution should be used when operating the gun as material leaks from loose and ruptured components can inject fluid through the skin and into the body causing serious bodily injury. Adequate protection is recommended to prevent splashing of material onto the skin or into the eyes.

 **WARNING**

If any fluid appears to penetrate the skin, get emergency medical immediately. Do not treat as a simple cut. Tell attending physician exactly what fluid was injected.

© Indicates change

PERSONAL SAFETY

1. Always wear eye protection. The Air Grease Gun can generate up to 6,000 Psig (414 Bar)
2. Use only Lincoln P/N 1218, 1224, 1230 or 1236 outlet whip hoses. Grease injection injuries are a very serious injury. Hold the hose only in the area of the spring guard.
3. Avoid accidental starting. Be sure trigger is not depressed when attaching inlet air hose.
4. Do not bend the hose in small radii.
5. Replace the hose at the first sign of wear, kink or damage to the outside jacket.

QUICK START INSTRUCTIONS©

1. Attach high pressure grease hose and coupler, (1) to outlet in the head (5). Copper gasket must be used to seal hose thread to head. Tighten securely.
2. Attach air coupler nipple (21) to port in bottom of handle (6) and tighten securely.
3. Fill grease container (See appropriate section of manual for various options).
4. Prime grease gun by operating slowly until grease flows from coupler (2). See Operation section for detailed priming procedure.
5. Adjust air pressure to grease gun as required, and gun is now ready for use.
6. Disconnect air supply to grease gun when not in use.

DESCRIPTION

Lincoln Air Operated Grease Gun is fully pneumatic operational and automatic unit. The gun was developed for manual lubrication of the grease points and has ability to stall in case of a blocked bearing, fitting or lubrication line. The gun is a positive displacement single action pump that delivers lubricant each time the plunger (13) moves forward.

©The gun features a throttling trigger valve. A slight pull of the trigger (8) will cause the gun to operate slowly. As more finger force is applied to the trigger, the speed of the gun will gradually increase until maximum speed is reached with the trigger fully pulled. The maximum speed of the gun is limited to reduce the problems associated with dispensing lubricant too quickly, such as damaging bearing seals or dust boots.

The gun operates when the trigger (8) is depressed. Air is admitted to Chamber A (see Fig 1.) and pushes the piston (7) with the plunger (13) to the left. Vent valve B is closed. The grease, under pressure from plunger (13), opens the check valve (3) and delivers one shot of the lubricant.

When the piston (7) reaches the bypass groove C (see Fig. 2) air is admitted into chamber D and opens the vent valve B. The air pressure from chamber A is vented through valve B and vent holes E to the chamber F which communicates with the atmosphere through the hole G. The air pressure is equalized on both sides of the piston (7) and the force of the spring (12) will return the piston to the initial position, recharging the gun (see Fig 1). Vent valve B will be closed and air from chamber D is vented through the bypass groove C to the atmosphere. The cycle repeats in the same manner while the trigger is depressed.

AUTOMATIC AIR GREASE GUN MODEL 1162

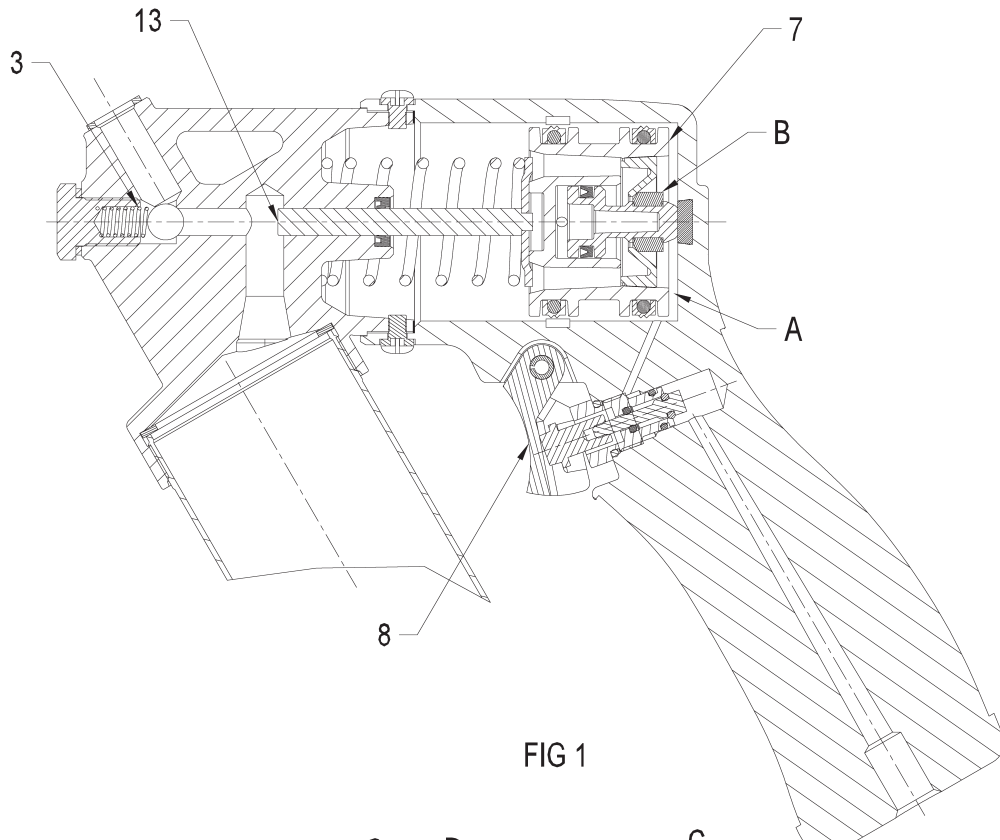


FIG 1

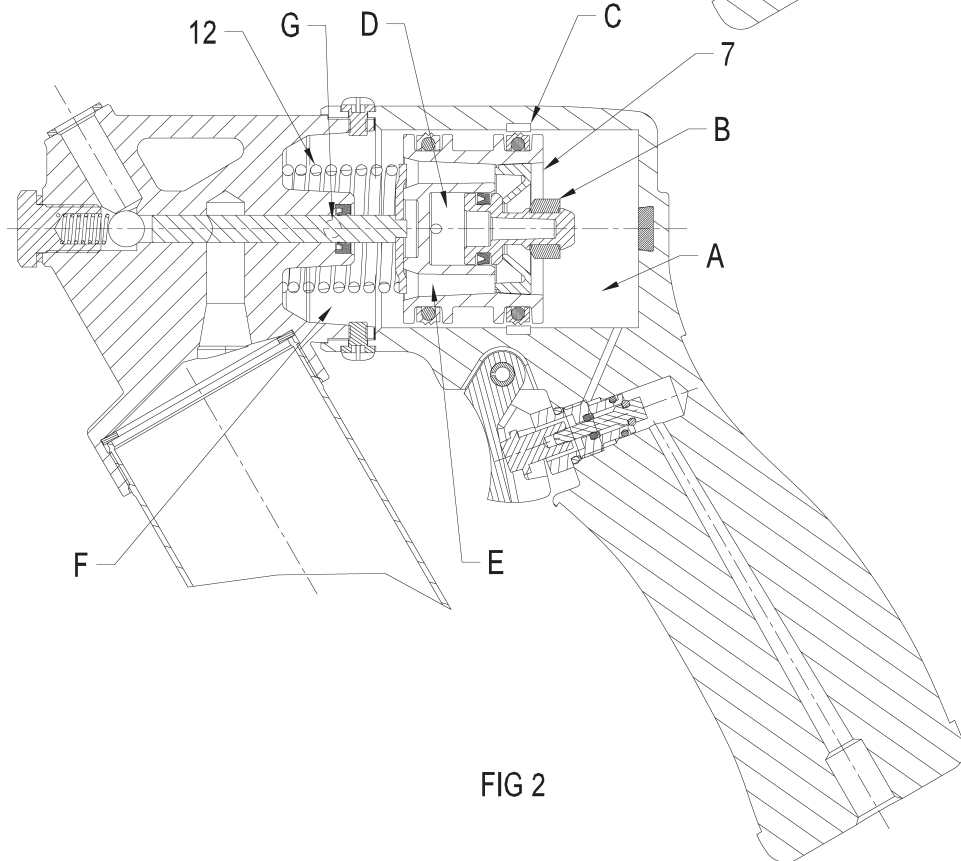


FIG 2

AUTOMATIC AIR GREASE GUN MODEL 1162



APPROPRIATE USE

- The Air Gun was exclusively designed to pump and dispense lubricant using pneumatic power.
- The maximum specification rating should not be exceeded.
- Any other use not in accordance with instruction will result in loss of claim for warranty or liability.

SPECIFICATIONS

Pump ratio (max)	40:1
Output per stroke	.038 in ³ (0.62 cm ³)
Pneumatic Inlet pressure (min)	40 Psig (2.7 Bar)
(max)	150 Psig (10.3Bar)
Grease output pressure (max)	6,000 Psig (414 Bar)
Grease reservoir capacity	14.5 oz (450 cm ³)
Operating temperature range	0 to 120 °F(-18 to +50°C)
Weight (empty)	4.5 Lbs. (2.0 Kg)
Weight (full)	5.5 Lbs. (2.5 Kg)
Lubricant up to NLGI	#2 Grease
Pneumatic port inlet	1/4-18 NPSF
Grease Port Outlet	7/16-28 UNEF

WORK AREA

Keep bystanders, children, and visitors away while operating. Distractions can cause you to make mistakes.

INSPECTION

Visually inspect for damaged, loose or missing parts. If equipment is worn or damaged, remove from service. Contact an authorized service center for damage assessment or repair.

OPERATION

Prime the Air Grease Gun after each refill or grease cartridge change. Prime the gun before using it to lubricate grease points.

For optimum performance and product life, add a few drops of lubricating oil (SAE 30 or greater) through the air fitting at the bottom of the handle if gun begins to cycle slowly or erratically.

© To prime, operate the gun slowly, by gently throttling the trigger (8), until grease flows from the open end of the hose. The vent/filler valve (18) should be used to expel air pockets. This is done by loosening the vent/filler valve a couple of turns, holding the gun with the discharge hose pointing up, and allowing the air to escape. Close the vent/filler valve after air is removed. If a prime can not be achieved after the gun has operated for 10-15 seconds, see the section "TO EXPEL AIR POCKETS".

© The gun will stall if a bearing or fitting is blocked, causing the grease pressure to rise to maximum. A blocked bearing or fitting should be corrected before continuing lubrication.

CAUTION

Air pockets in the cartridge lubricant will cause the gun to lose prime.

REMOVING EMPTY GREASE CARTRIDGE

- 1) Pull back on the follower handle until the follower rod is fully extended and latch the follower rod groove into the slot on the tube cap.
- 2) Unscrew the grease tube assembly from the gun.
- 3) Carefully release the follower handle to the eject the empty cartridge from container tube.

INSTALLATION GREASE CARTRIDGE

- 1) Visually check the follower seal lip direction before loading a new cartridge. The follower seal lip must be directed toward handle or rear side for cartridge loading. To change the direction of the follower seal, unscrew tube cap from grease tube assembly and pull on the handle to remove follower seal from tube. Flip follower seal over and reassemble.
- 2) Pull back on the follower handle and latch the follower rod groove into the slot on the tube cap.
- 3) Remove the plastic cap from the grease cartridge and insert cartridge into container tube.
- 4) Remove the pull tab from the grease cartridge and screw grease tube assembly into pump assembly.
- 5) Release follower rod from slot. Purge air from pump. See air purging instruction.

AUTOMATIC AIR GREASE GUN MODEL 1162



TO CONVERT GUN TO ALLOW FILLING FROM BULK CONTAINER OR FILLER PUMP

- 1) Unscrew the container cap from the container tube. Pull on the follower handle to extract the follower and spring from the container tube.
- 2) Grasp follower between thumb and forefinger and flip the follower lip from the rear to the front side.

NOTE: The follower resembles a cup. When the gun is assembled for use with bulk lubricant, the cup opens toward the head assembly.

- 3) Reassemble follower into container tube and position with the follower handle so that the container cap can be tightened onto the container tube.

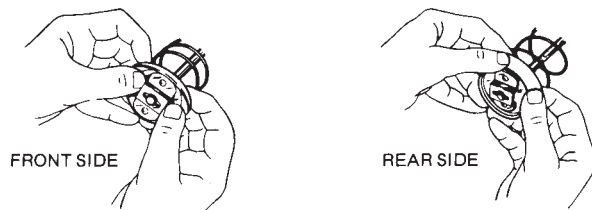


Fig. 3

TO FILL THE GUN FROM BULK CONTAINER

- 1) Remove head and plunger assembly from container tube.
- 2) Pack lubricant into cavity of the head and plunger assembly.
- 3) Insert the open end of the container tube into lubricant. Slowly pull the follower handle back while pushing the container tube deeper into the lubricant to prevent air pockets from being pulled into the container tube.
- 4) When the follower rod is fully extended, pull it sideways to latch the rod groove into the keyhole slot in the container cap.
- 5) Loosely assemble the head and plunger assembly to the filled container tube. Release the follower rod from the follower by rotating the follower handle. Push the follower rod into the container. Slowly unscrew the container tube from the head and plunger assembly until lubricant oozes from the interface. Tighten container tube into the head and plunger assembly.

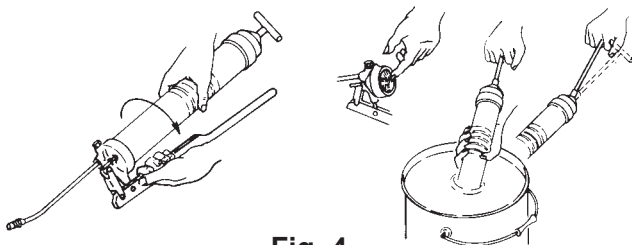


Fig. 4

TO FILL THE GUN WITH A FILLER PUMP

Engage the follower rod with the follower by rotating the follower handle. Insert the gun filler nipple into the filler pump socket. Operate the filler pump to fill the container. When the follower rod groove is exposed, the container is filled (follower rod will be extended approximately 8 inches or 20 cm). Disengage the follower rod from the follower by rotating the follower handle. Push the follower rod into the container.

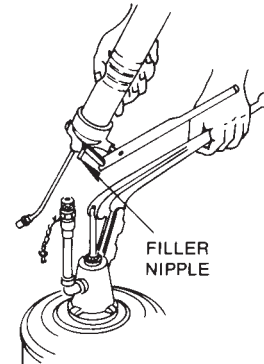


Fig. 5

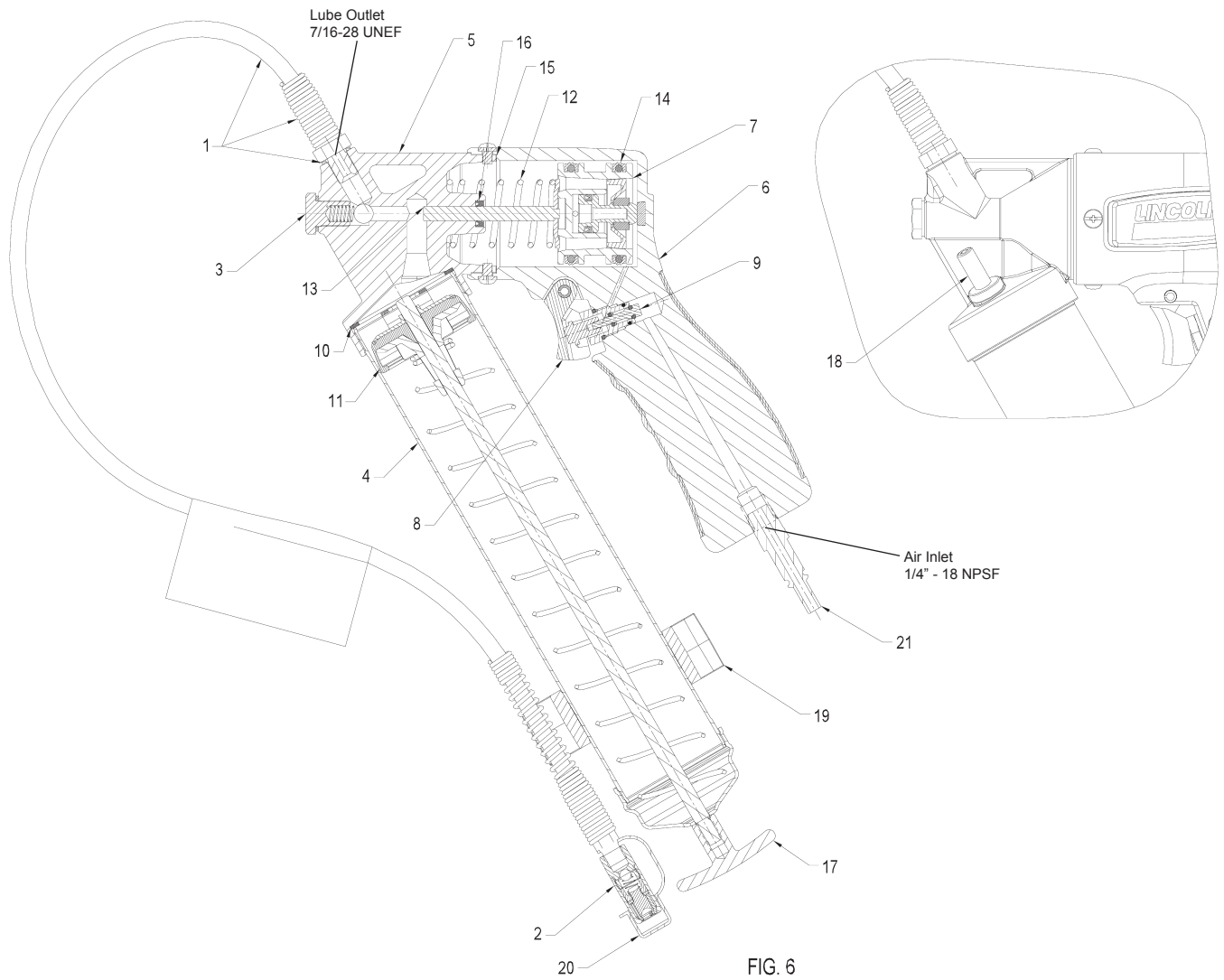
TO EXPEL AIR POCKETS

- 1) Withdraw the follower rod from the grease tube assembly cap and engage it with the follower by rotating the follower handle. Exert the force on the follower handle after opening the vent/filler fitting (18) (see Fig. 6).
- 2) Pull the trigger in short bursts to operate gun until trapped air is expelled. Disengage the follower rod from the follower by rotation the follower handle. Push the follower rod into the grease tube assembly.
- 3) If the step 2 fails, unscrew the grease tube assembly 1-1/2 turns from the pump assembly.
- 4) Exert force on the follower handle until lubricant oozes from the grease tube assembly and pump assembly interface.
- 5) Tighten grease tube assembly into the pump assembly. Disengage the follower rod from the follower by rotation the follower handle. Push the follower rod into the grease tube assembly.

SERVICE PARTS

NO.	PART NO.	DESCRIPTION	INCLUDE	QTY
1	1230	Hose 30"	Hose 30"	1
			Gasket	1
			Label warning	1
2	5852	Coupler hydraulic	Coupler,midget	1
3	274985	Kit Outlet Check	Spring Housing	1
			Ball	1
			Check Spring	1
			Gasket	1
4	272065	Grease tube	Container assy	1
			Label warning	1
5	274984	Head	Head machined	1
			Screw 10-32 x 1/4	4
			Packing(head-tube)	1
			Gasket (handle-head)	1
			Wiper rod	1
			Valve vent/loader	1
6	274983	Handle	Handle machined	1
			Screw 10-32 x 1/4	4
			Gasket (handle-head)	1
			Bumper	1
			Logo Left	1
			Logo Right	1
			Name plate	1
			Handle Grip	1
7	272068	Piston	Piston assy	1
			Screw 10-32 x 1/4	4
			Gasket (handle-head)	1
8	274982	Trigger	Trigger	1
			Roll pin	1
9	274981	Trigger valve	Trigger valve	1
			Roll pin	1
10	271880	Packing	Packing	1
11	272072	Follower	Follower assy	1
12	272073	Spring, piston	Return Spring	1
13	274980	Plunger	Plunger assy	1
14	272075	Crown seal	Crown seal	2
15	272076	Gasket	Gasket	1
16	272077	Wiper	Wiper rod	1
17	272078	Handle	Handle	1
18	286134	Vent/Bulk Valve Kit	Vent/Bulk Valve Kit	1
19	286092	Hose Clip	Hose Clip	1
20	286093	Coupler Cap	Coupler Cap	1
21	11659	Air Nipple	Air Nipple	1

AUTOMATIC AIR GREASE GUN MODEL 1162



NOTE: Illustration shows follower seal lip positioned for cartridge use.

TROUBLESHOOTING

Conditions	Possible cause	Corrective action
The gun doesn't operate	No inlet air pressure.	Connect air supply.
	The piston (7) is stuck.	Dissassemble the gun, inspect for damage. Replace if necessary.
	Air pressure is too low.	Check air pressure supply. The pressure is to be higher 40 psi.
	Broken return spring (12).	Replace if necessary.
The gun doesn't operate automatically.	Air pressure is too low.	Check air pressure supply. The pressure is to be higher 40 psi.
	The piston (7) is stuck.	Disconnect air supply hose and hold on until the spring is retracted the piston back and cycle the gun. If the gun doesn't operate dissassemble the gun, inspect for damage. Replace the piston if necessary.
The gun cycles but doesn't pump grease.	Loss of prime.	Repeat priming operation.
	The container is out of grease.	Check that container has grease.
	Prime is not achieved after 10-15 seconds of operation.	Disconnect the extension hose or rigid extension and cycle the gun until grease flows from the outlet.
The gun continues to lose prime.	Air may be trapped in several locations in container after bulk filling.	Empty container, refill and repeat priming.
	The follower lips (11) are positioned wrong	Refer the paragraph on the container tube.
	The ball check valve (3) is not functioning.	Disassemble check valve, remove ball, clean and inspect ball seat area.
If the gun still doesn't operate.		Contact an authorized service center.

Table des matières

Sécurité	9
Sécurité personnelle.....	9
Description	9 & 10
Usage recommandé	11
Caractéristiques	11
Environnement de travail	11
Inspection	11
Fonctionnement	11
Retirer la cartouche de graisse vide.....	11
Installer la cartouche de graisse.....	11
Convertir le pistolet	12
Remplir le pistolet par l'intermédiaire de conteneur de gros.....	12
Remplir le pistolet par l'intermédiaire d'une pompe de remplissage.....	12
Éliminer les poches d'air	12
Pièces détachées	13 & 14
En cas de problèmes	15
Version anglais.....	2-8
Version espagnole.....	16-22
Version allemande.....	23-29

SÉCURITÉ

Lire et observer méticuleusement les règles de fonctionnement avant de déballer et de faire fonctionner le pistolet pneumatique à graisse. Seules les personnes familières avec le mode d'emploi peuvent entretenir et réparer ce pistolet. Ne faire fonctionner le pistolet seulement après avoir pleinement compris les règles de sécurité et le manuel de fonctionnement.

AVERTISSEMENT

La canule peut éclater du fait d'extrêmes pressions. N'utiliser seulement que les tuyaux autorisés par LINCOLN et suivre les instructions et avertissements de la canule.

AVERTISSEMENT

Le pistolet à graisse peut générer des pressions allant jusqu'à 408 bars (6.000 PSI.) Porter des lunettes et gants de sécurité durant toute utilisation. Ne pas toucher le tuyau durant utilisation du pistolet à graisse.

Ce pistolet à graisse génère de hautes pressions. Faire très attention lors de son utilisation, une fuite peut apparaître du fait d'une mauvaise étanchéité ou de la rupture d'une pièce, cela pourrait injecter le liquide au-travers de la peau et dans le corps causant des blessures graves. Il est recommandé de protéger la peau et les yeux contre les éclaboussures qui pourraient arriver.

AVERTISSEMENT

Si du liquide est injecté dans la peau, consulter un médecin immédiatement. Ne pas considérer cela comme une simple coupure. Dire au médecin quel liquide a été injecté dans la peau.

© Indique le changement

SÉCURITÉ PERSONNELLE

1. Toujours porter des lunettes de protection. Le pistolet pneumatique à graisse peut générer des pressions allant jusqu'à 414 Bars (6.000 psi)
2. N'utiliser seulement que les canules Lincoln 1218, 1224, 1230 ou 1236. Les blessures par injection de graisse sont très sérieuses. Ne tenir le tuyau que dans les zones protégées.
3. Éviter les démarrages accidentels. Vérifier que l'interrupteur est abaissé avant d'insérer le tuyau d'arrivée d'air.
4. Ne pas plier le tuyau.
5. Remplacer le tuyau aux premiers signes d'usure ou de dommage de la gaine.

MISE EN MARCHÉ RAPIDE©

1. Brancher le tuyau de haute pression de graisse et le graisseur (1) sur la sortie de la tête (5). Il faut utiliser un joint de cuivre pour assurer l'étanchéité du filet du tuyau sur la tête. Serrer fermement.
2. Brancher le raccord d'air (21) sur l'orifice au bas de la poignée (6) et serrer fermement.
3. Remplir le conteneur de graisse (consulter les diverses options dans la section appropriée du manuel).
4. Amorcer le pistolet graisseur en le faisant fonctionner lentement jusqu'à ce que la graisse sorte du coupleur (2). Consulter la procédure d'amorçage détaillée dans la section Utilisation.
5. Régler la pression d'air au pistolet graisseur selon le besoin, et le pistolet est maintenant prêt à l'utilisation.
6. Quand le pistolet n'est pas en service, débrancher l'alimentation d'air au pistolet

DESCRIPTION

Le pistolet pneumatique à graisse Lincoln est entièrement automatique et pneumatique. Le pistolet est conçu pour lubrifier manuellement les points de graisse et caler automatiquement en cas de pression excessive. Le pistolet est une pompe à déplacement positif qui délivre du lubrifiant chaque fois que le piston (13) avance.

- © Le pistolet est équipé d'une vanne d'étranglement à gâchette. Une légère pression sur la gâchette (8) fait fonctionner le pistolet lentement. Alors qu'une pression plus élevée est appliquée sur la gâchette, la vitesse du pistolet augmente graduellement jusqu'à la vitesse maximale quand la gâchette est pressée à fond. La vitesse maximale du pistolet est limitée pour réduire les problèmes associés à la distribution trop rapide du lubrifiant, endommager les joints de paliers ou les soufflets pare-poussière, par exemple.

Le pistolet fonctionne lorsque la gâchette (8) est actionnée. L'air sous pression arrive dans la chambre A (voir Fig. 1) et pousse le piston (7) par l'intermédiaire du piston (13) vers la gauche. La valve B est fermée. La graisse, sous la pression du piston (13), ouvre la valve (3) et libère une dose de lubrifiant.

Lorsque le piston (7) atteint la rainure de dérivation C (voir Fig. 2), l'air arrive dans la chambre D et ouvre la valve B. La pression pneumatique de la chambre A est relâchée par la valve B et les trous E vers la chambre F qui communique avec l'extérieur par le trou G. La pression de l'air s'équilibre des deux côtés du piston (7) et la force du ressort (12) va ramener le piston dans sa position initiale, rechargeant le pistolet (voir Fig. 1). La valve B se fermera et l'air de la chambre D sera évacué par la rainure de dérivation C vers l'extérieur. Le cycle se répète chaque fois que la gâchette est actionnée.

**AUTOMATIC AIR GREASE GUN
MODEL 1162**

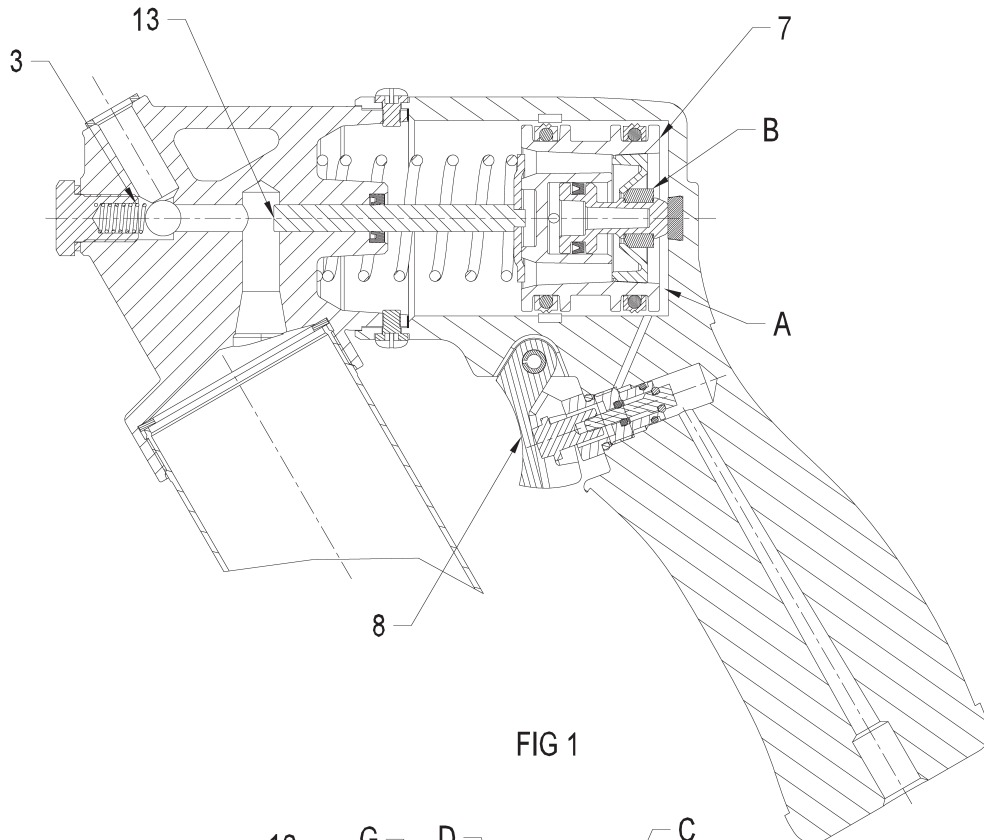


FIG 1

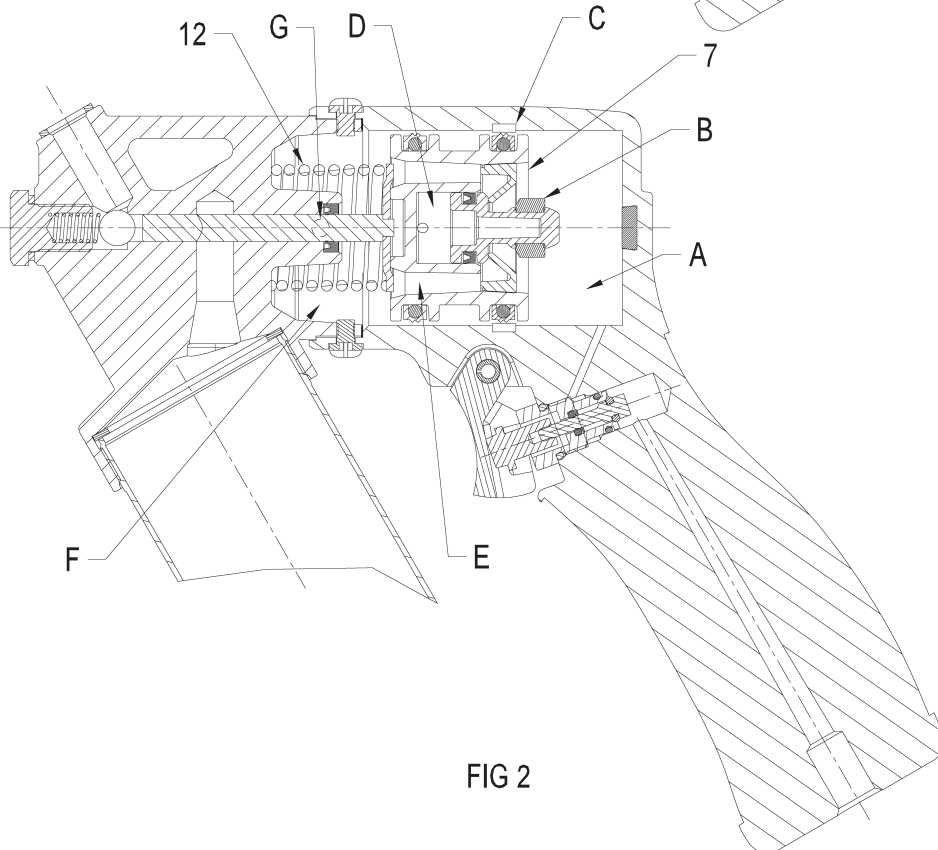


FIG 2

AUTOMATIC AIR GREASE GUN MODEL 1162



USAGE RECOMMANDÉ

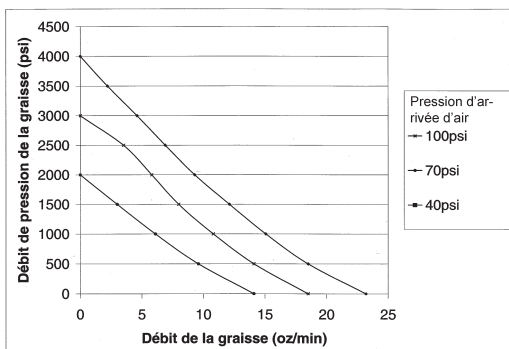
- Le pistolet pneumatique est conçu exclusivement pour pomper et dispenser du lubrifiant.
- Ne pas dépasser les caractéristiques.
- Si le pistolet pneumatique n'est pas utilisé conformément au mode d'emploi, toute garantie est déclarée nulle.

CARACTÉRISTIQUES

Ratio de la pompe (max)	40 :1
Débit par course	0,62 cm ³ (0,038 in ³)
Pression pneumatique d'arrivée d'air (max)	10,3 Bar (150 Psig)
Pression du débit de graisse (max)	408 Bar (6.000 Psig)
Capacité du réservoir à graisse	450 cm ³ (14,5 oz)
Températures de fonctionnement	-18 à +50°C (0 à 120°F)
Poids (vide)	2,0 Kg (4,5 Lbs)
Poids (plein)	2,5 Kg (5,5 Lbs)
Lubrifiant	jusqu'à NLGI #2 graisse
Arrivée d'air	1/4-18 NPSF
Arrivée de graisse	7/16-28 UNEF

GRAPHE DE PERFORMANCE DU PISTOLET PNEUMATIQUE

(Graphe à 22°C (72°F) avec NLGI #2 graisse)



ENVIRONNEMENT DE TRAVAIL

Garder les enfants et visiteurs à distance lorsque vous faites fonctionner le pistolet. Ils peuvent vous distraire et vous faire commettre des erreurs.

INSPECTION

Faire une inspection visuelle afin de prévenir les pièces endommagées, desserrées ou manquantes. Si celui-ci est usagé ou endommagé, arrêter de l'utiliser. Contacter le service après vente autorisé pour une évaluation des dommages ou réparation.

FONCTIONNEMENT

Amorcer le pistolet pneumatique après chaque remplissage ou changement de cartouche de graisse. Amorcer le pistolet avant de lubrifier les points de graisse.

Pour une durée de vie et performance optimales, ajouter quelques gouttes d'huile lubrifiante (SAE 30 ou plus) par la bouche d'air située sous la poignée au cas où le pistolet fonctionnerait lentement ou de manière erratique.

© Pour amorcer, faire fonctionner lentement le pistolet en pressant doucement la gâchette (8), jusqu'à ce que la graisse sorte de l'extrémité du tuyau. Il faut utiliser la vanne d'évent et de remplissage (18) pour expulser la poche d'air. Pour cela, desserrer la vanne d'évent et de remplissage de quelques tours, en tenant le pistolet, le tuyau de refoulement vers le haut, et laisser l'air s'échapper. Fermer la vanne d'évent et de remplissage quand l'air est éliminé. Si, après avoir fonctionné pendant 10 à 15 secondes, le pistolet n'est pas amorcé, consulter la section « EXPULSION DES POCHEs D'AIR ».

© Le pistolet cale si un palier ou un graisseur est bloqué, amenant la pression de graisse à la valeur maximale. Avant de continuer la lubrification, il faut corriger le blocage du palier ou du graisseur.

AVERTISSEMENT

Les poches d'air incluses dans le lubrifiant diminueront l'efficacité du pistolet

RETIRER LA CARTOUCHE DE GRAISSE VIDE

- Tirer sur la poignée jusqu'à ce que la tringle soit complètement en extension et accrocher la rainure de la tringle à la fente de la capsule du tube.
- Dévisser le réceptacle du tube de graisse du pistolet.
- Relâcher la poignée pour éjecter la cartouche vide du réceptacle du tube.

INSTALLER LA CARTOUCHE DE GRAISSE

- Vérifier visuellement la direction des lèvres du joint avant de charger une nouvelle cartouche. Les lèvres du joint doivent être orientées vers la poignée ou l'arrière pour le chargement d'une cartouche. Pour changer la direction du joint, dévisser la capsule du tube de graisse et tirer sur la poignée pour retirer le joint du tube. Changer la direction du joint et ré assembler le pistolet.
- Tirer sur la poignée et accrocher la rainure de la tringle à la fente de la capsule du tube.
- Retirer la capsule de plastique de la cartouche de graisse et insérer la cartouche dans le réceptacle.
- Retirer l'étiquette de la cartouche de graisse et visser le tube de graisse à la pompe.
- Libérer la tringle de la fente. Purger l'air de la pompe. Ce référer aux instructions pour purger l'air.

© Indique le changement

**REMPLEIR LE PISTOLET PAR L'INTERMEDIARE
DE CONTAINER DE GROS OU D'UNE POMPE
DE REMPLISSAGE**

- 1) Détacher la capsule du tube réceptacle. Tirer sur la poignée pour retirer la bielle et le ressort du tube réceptacle.
- 2) Saisir la bielle entre le pouce et le bout des doigts et retourner les bords de la bielle de l'arrière à l'avant.

NOTE La bielle ressemble à une tasse. Quand le pistolet est prêt à fonctionner en utilisant du lubrifiant en gros, la tasse est ouverte vers la tête du piston.

- 3) Ré assembler la bielle dans le tube réceptacle et positionner la poignée afin que la capsule puisse être serrée au tube réceptacle.



Fig. 3

**REMPLEIR LE PISTOLET PAR L'INTERMEDIARE
DE CONTAINER DE GROS**

- 1) Retirer la capsule et le piston du réceptacle du pistolet.
- 2) Entasser le lubrifiant dans la cavité de la capsule et du piston.
- 3) Insérer la partie ouverte du réceptacle du pistolet dans le lubrifiant. Tirer sur la poignée doucement tout en poussant le réceptacle du pistolet dans le lubrifiant afin d'éviter la formation de poches d'air.
- 4) Quand la tringle est complètement étendue, tirez-la sur les cotés pour accrocher la cannelure de la tringle au trou de serrure de la capsule.
- 5) Assembler la capsule et le piston au réceptacle du pistolet sans trop serrer. Désengager la tringle de la capsule du réceptacle et désengager la tringle de la bielle en tournant la poignée. Pousser la tringle dans le réceptacle du pistolet. Desserrer doucement le réceptacle du pistolet de la capsule et du piston jusqu'à ce que le lubrifiant suinte des points de jonction. Serrer le réceptacle du pistolet à la capsule et au piston.

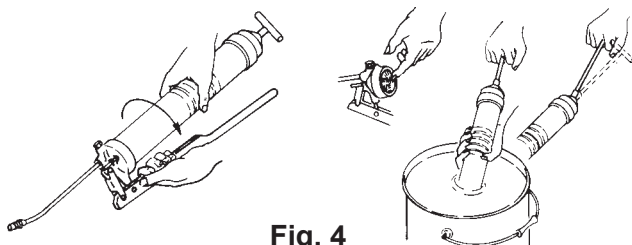


Fig. 4

**REMPLEIR LE PISTOLET PAR L'INTERMEDIARE
D'UNE POMPE DE REMPLISSAGE**

Engager la tringle avec la bielle en tournant la poignée. Insérer le graisseur du pistolet dans la cavité de la pompe de remplissage. Faire fonctionner la pompe de remplissage afin de remplir le réceptacle du pistolet. Quand la cannelure de la tringle est visible, le réceptacle du pistolet est plein (la tringle sera étendue sur 20 centimètres) Désengager la tringle de la bielle en tournant la poignée. Pousser la tringle dans le réceptacle du pistolet.

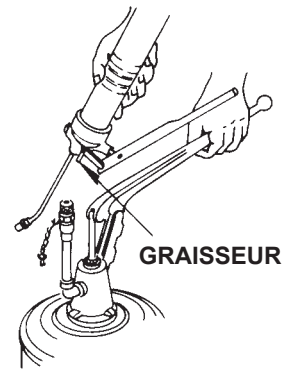


Fig. 5

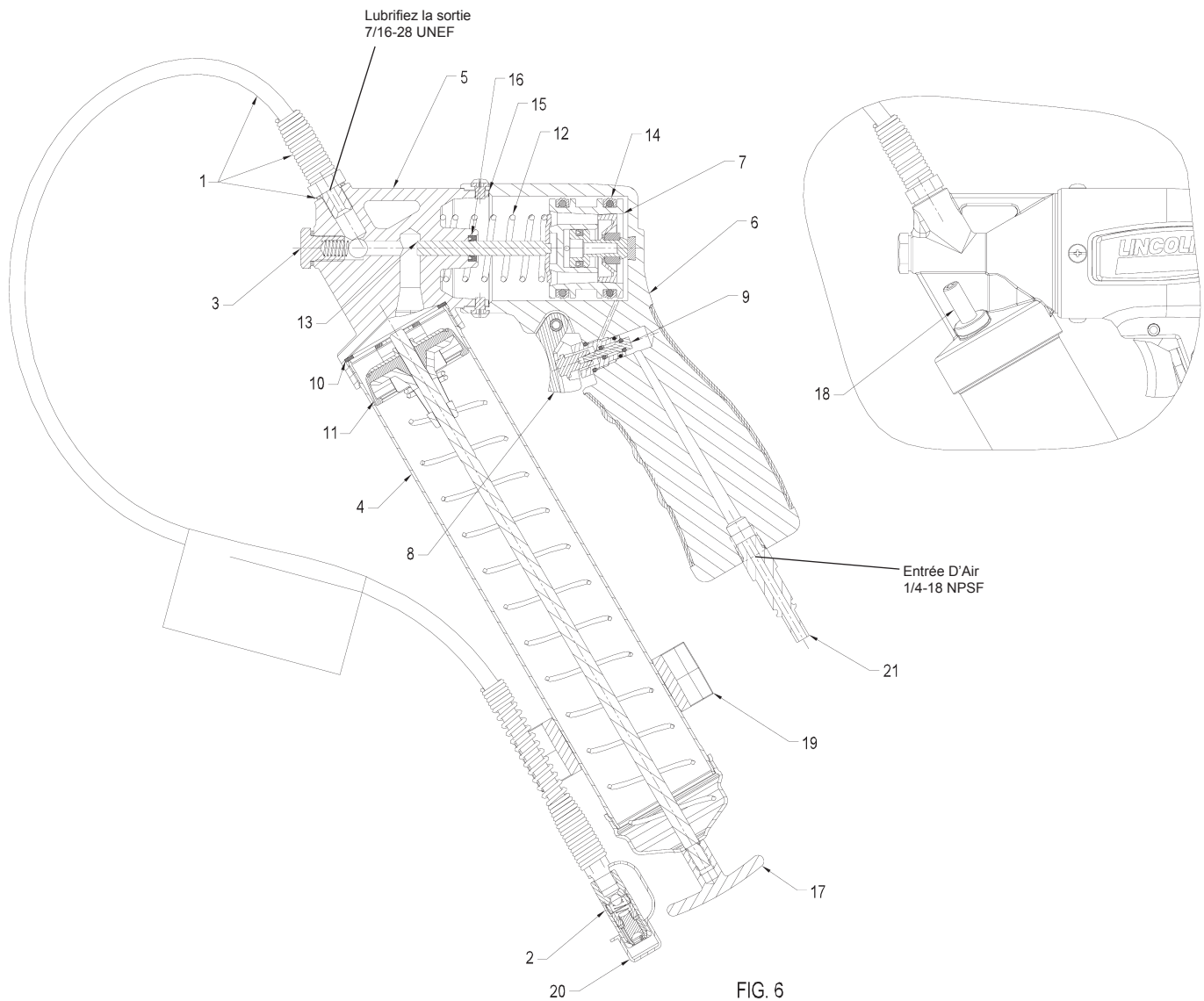
ÉLIMINER LES POCHEs D'AIR

- 1) Retirer la tringle de la capsule du réceptacle et engager la tringle avec la bielle en tournant la poignée. Exercez la force sur la poignée de palpeur après ouverture de l'ajustage de précision de vent/filler (18) (Fig. 6)
- 2) Appuyer sur la gâchette par petits coups afin de faire fonctionner le pistolet jusqu'à ce qu'il n'y ait plus de poches d'air. Désengager la tringle de la bielle en tournant la poignée. Pousser la tringle dans le réceptacle du pistolet.
- 3) Si cela ne marche pas, dévisser (1 ½ tours) le réceptacle du pistolet de la capsule et du piston.
- 4) Serrer la poignée jusqu'à ce que le lubrifiant suinte des points de jonction.
- 5) Serrer le réceptacle du pistolet à la capsule et au piston. Désengager la tringle de la bielle en tournant la poignée. Pousser la tringle dans le réceptacle.

PIÈCES DÉTACHÉES

Número	Pièce	Description	Inclus	Quantité
1	1230	Tuyau 30"	Tuyau 30"	1
			Joint de culasse	1
			Etiquette d'avertissement	1
2	5852	Coupleur Hydraulique	Coupleur	1
3	274985	Contrôle De Sortie De Kit	Logement De Ressort	1
			Bille	1
			Vérifiez Le Ressort	1
			Garniture	1
4	272065	Tube de graisse	Réceptacle	1
			Etiquette d'avertissement	1
5	274984	Tête	Tête	1
			Vis 10-32 x ¼	4
			Garniture (tête du tube)	1
			Joint de culasse (poignée - tête)	1
			Tringle	1
			Valve/Chargeur	1
6	274983	Poignée	Poignée	1
			Vis 10-32 x ¼	4
			Joint de culasse (poignée - tête)	1
			Pare choc	1
			Le Logo Est parti	1
			Droite De Logo	1
			Plaque du fabricant	1
			Poignée De Poignée	1
7	272068	Piston	Piston	1
			Vis 10-32 x ¼	4
			Joint de culasse (poignée - tête)	1
8	274982	Gâchette	Gâchette	1
			Goupille	1
9	274981	Gâchette de la valve	Gâchette de la valve	1
			Goupille	1
10	271880	Garniture	Garniture	1
11	272072	Tringle	Tringle	1
12	272073	Ressort, piston	Ressort de retour	1
13	274980	Piston	Piston	1
14	272075	Joint de couronne	Joint de couronne	2
15	272076	Joint de culasse	Joint de culasse	1
16	272077	Bras	Tige du bras	1
17	272078	Poignée	Poignée	1
18	286134	Passage/Kit En bloc De Valve	Passage/Kit En bloc De Valve	1
19	286092	Agrafe De Tuyau	Agrafe De Tuyau	1
20	296093	Chapeau De Coupleur	Chapeau De Coupleur	1
21	11659	Mamelon D'Air	Mamelon D'Air	1

AUTOMATIC AIR GREASE GUN MODEL 1162



Note : L'illustration montre la lèvres de joint de palpeur placée pour l'usage de cartouche.

EN CAS DE PROBLÈMES

Condition	Cause possible	Action corrective
Le pistolet ne marche pas.	Pas d'arrivée d'air.	Connecter l'arrivée d'air
	Le piston (7) est bloqué	Démontrer le pistolet, vérifier son intégrité Le remplacer si nécessaire
	La pression d'arrivée d'air est trop faible.	Vérifier la pression d'arrivée d'air La pression doit être supérieure à 40 psi.
	Ressort de retour cassé (12)	Le remplacer si nécessaire
Le pistolet ne fonctionne pas automatiquement	La pression d'arrivée d'air est trop faible.	Vérifier la pression d'arrivée d'air. La pression doit être supérieure à 40 psi.
	Le piston (7) est bloqué	Débrancher le tuyau d'arrivée d'air jusqu'à ce que le piston soit revenu a son état initial et faire fonctionner le pistolet. Si le pistolet ne marche pas, le démontrer et vérifier son intégrité. Remplacer le piston si nécessaire.
Le pistolet fonctionne mais ne pompe pas de graisse	Perte d'efficacité	Répéter la mise en charge
	Pas de graisse dans le conteneur	Vérifier que le conteneur contient de la graisse.
	L'amorçage ne se produit pas après 10-15 secondes de fonctionnement.	Débrancher le tuyau de connexion souple ou rigide et faire fonctionner le pistolet jusqu'à ce que la graisse s'écoule de l'échappement.
Le pistolet perd son efficacité	Poches d'air emprisonnées en plusieurs endroits après le remplissage du conteneur.	Vider le conteneur, le remplir et répéter la mise en charge.
	Les lèvres (11) sont dans le mauvais sens.	Voir le paragraphe traitant du réceptacle.
Si le pistolet ne fonctionne toujours pas	La bille de la valve de contrôle (3) ne marche pas.	Démonter la valve de contrôle, enlever la bille, nettoyer et inspecter le siège de la bille.
		Contactez le service après-vente autorisé.

Inhalt

Sicherheitshinweise	16
Persönliche Sicherheit	16
Allgemeine Beschreibung	16&17
Bestimmungsgemäße Verwendung	18
Technische Daten	18
Sicherheit am Arbeitsplatz	18
Inspektion	18
Betrieb	18
Entfernen der leeren Fettkartusche	18
Einbau der Fettkartusche	18
Umstellung der Fettpresse	19
Befüllen der Fettpresse aus dem Fettgebinde	19
Befüllen der Fettpresse mittels Füllpumpe	19
Entfernen von Lufteinschlüssen	19
Ersatzteile	20&21
Fehlersuche	22
Englisch Version	2-8
Französische Version	9-15
Spanische Version	23-29

SICHERHEITSHINWEISE

Diese Betriebsanleitung lesen und strikt befolgen, bevor die Fettpresse ausgepackt und in Betrieb genommen wird. Diese Druckluftfettpresse darf ausschließlich von Personal, das mit den Betriebsanweisungen vertraut ist, betrieben, gewartet und repariert werden. Fettpresse erst in Betrieb nehmen, wenn alle Sicherheitshinweise und die Instruktionen der Betriebsanleitung völlig verstanden worden sind.



WARNUNG

Extrem hoher Druck kann zum Bersten des Schmiervorsatz-Schlauches führen. Daher ausschließlich von LINCOLN zugelassene Schläuche verwenden. Instruktionen und Warnhinweise zur Handhabung von Schlauch-Schmiervorsätzen befolgen.



WARNUNG

Die Fettpresse kann hohen Druck - bis zu 414 bar (6000 PSIG) - erzeugen. Schutzbrille und -handschuhe während des Betriebes tragen. Bei Betrieb, Hände weg vom Gummischlauch des Schmiervorsatzes.

Diese Fettpresse erzeugt sehr hohen Schmierdruck. Beim Betrieb der Presse ist äußerste Vorsicht geboten, da bei Leckage aus gelösten oder geborstenen Komponenten Schmierstoff herausspritzt und die Haut durchdringen kann, der weitere, beträchtliche Körperschäden zur Folge hat. Um zu verhindern, dass Schmierstoff auf die Haut oder in die Augen gelangen kann, empfehlen wir angemessene Schutzmaßnahmen zu treffen.



WARNUNG

Hautverletzungen umgehend medizinisch versorgen lassen und nicht wie eine harmlose Schnittwunde behandeln. Dem behandelnden Arzt genau erklären, um welches Medium es sich handelt.

© Zeigt Änderung an

PERSÖNLICHE SICHERHEIT

1. Bei Betrieb stets Schutzbrille tragen. Die Druckluftfettpresse kann bis zu 414 bar (6000 PSIG) Druck erzeugen.
2. Ausschließlich Lincoln Schlauchvorsätze Sachnummer 1218, 1224, 1230 oder 1236 verwenden. Unter die Haut injizierter Schmierstoff kann schwere Verletzungsfolgen nach sich ziehen. Beim Abschmieren den Schlauch nur im Bereich der Knickschutzfeder festhalten.
3. Versehentlichen Start des Gerätes vermeiden. Sicher stellen, dass bei Anschluss des Luftverbindungsschlauches der Abzughebel nicht gedrückt wird.
4. Den Schlauch nicht durch einen zu kleinen Biegeradius knicken.
5. Den Schlauch beim ersten Anzeichen von Abnutzung, Knicken, Schnitten, Stauchungen oder anderen Beschädigungen, umgehend ersetzen.

INSTRUKTIONEN ZUM SCHNELLSTART©

1. Hochdruckfettsschlauch und Anschlußstück, (1) an den Auslass im Kopf (5) anschließen. Das Schlauchgewinde muss am Kopf mit einer Kupferdichtung abgedichtet werden. Sicher festziehen.
2. Einen Luftanschlussnippel (21) an der Öffnung an der Unterseite des Griffs (6) anbringen und sicher festziehen.
3. Den Schmierfettbehälter füllen (für verschiedene Optionen siehe das entsprechende Kapitel im Handbuch).
4. Zur Vorfüllung die Fettspritze langsam bedienen, bis Fett aus dem Anschlußstück (2) austritt. Für eine detaillierte Beschreibung des Vorfüllungsverfahrens Kapitel Bedienung lesen.
5. Die Druckluftzufuhr zur Schmierfettsspritze einstellen wie benötigt, und nun ist die Spritze gebrauchsfertig.
6. Die Druckluftzufuhr zur Spritze trennen, wenn sie nicht benutzt wird.

BESCHREIBUNG

Die Lincoln Druckluftfettpresse ist eine voll pneumatisch gesteuerte, selbstumsteuernde Fettpresse und wurde zur manuellen Abschmierung von Schmierstellen entwickelt. Sie stoppt von selbst, wenn ein Lager, ein Anschlußstück oder eine Leitung blockiert ist. Die Fettpresse ist eine einfachwirkende Verdrängerpumpe und verdrängt den Schmierstoff jeweils beim Vorwärtshub des Förderkolbens (13) aus dem Auslass.

© Die Fettspritze hat ein Drosselventil mit Abzugshebel. Leichtes Ziehen am Abzug (8) lässt die Spritze langsam funktionieren. Wird mehr Zugkraft auf den Abzug ausgeübt, so erhöht sich die Ausgabegeschwindigkeit allmählich, bis die maximale Geschwindigkeit erreicht ist, wenn der Abzughebel voll gezogen ist. Die maximale Ausgabegeschwindigkeit der Spritze ist begrenzt, um die Probleme zu verringern, die mit zu schneller Fettausgabe verbunden sind, z. B. Schaden an den Lagerabdichtungen oder Schutzmanschetten.

Durch Betätigung des Abzughebels (8) wird die Fettpresse in Betrieb gesetzt. Luft strömt in Kammer A (siehe Abb. 1) ein und drückt den Kolben (7) zusammen mit dem Förderkolben (13) nach links. Entlüftungsventil B schließt sich. Unter Druck vom Förderkolben (13) öffnet das Fett das Rückschlagventil (3) und die Schmierstoffmenge wird ausgestoßen.

Wenn der Kolben (7) die Bypass-Nut C (siehe Abb. 1) erreicht, strömt Luft in die Kammer D und öffnet das Entlüftungsventil B. Der Luftdruck in Kammer A wird durch Ventil B und die Entlüftungsöffnungen E in Kammer F abgelassen, die durch Bohrung G mit der Atmosphäre verbunden ist. .

AUTOMATIC AIR GREASE GUN MODEL 1162

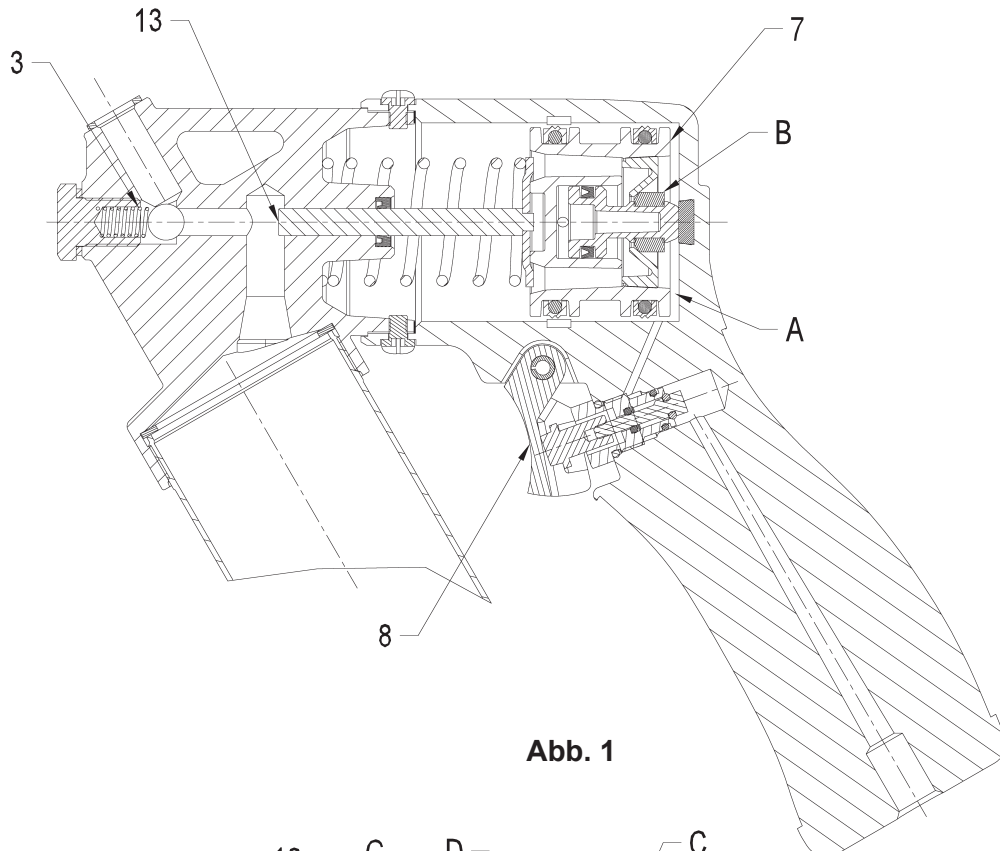


Abb. 1

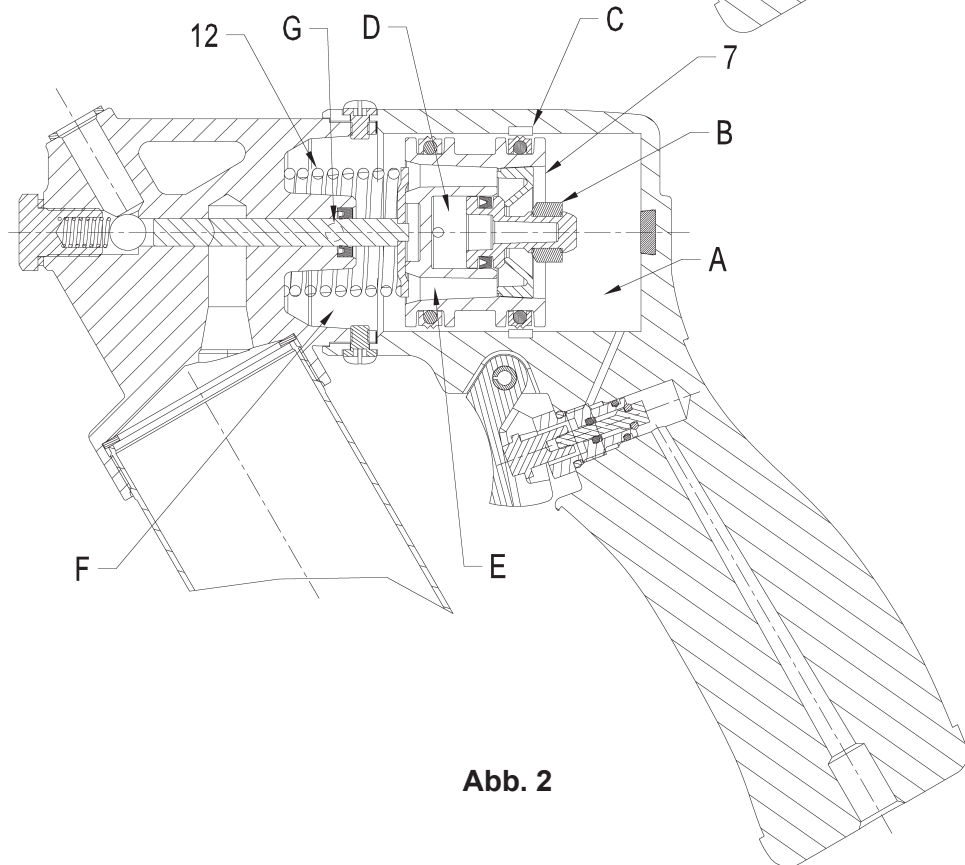


Abb. 2

AUTOMATIC AIR GREASE GUN MODEL 1162



BESTIMMUNGSGEMÄßE VERWENDUNG.

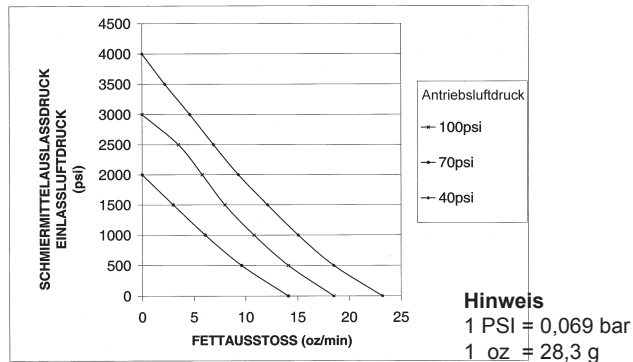
- Diese Fettpresse ist für pneumatischen Antrieb ausgelegt und ist ausschließlich zur Förderung und Abgabe von Schmierstoffen bestimmt.
- Die maximalen Grenzwerte dürfen nicht überschritten werden.
- Jeglicher anderer Gebrauch, der nicht in Übereinstimmung mit den Instruktionen ist, führt zum Verlust des Garantie- und Haftungsanspruchs.

TECHNISCHE DATEN

Druckübersetzungsverhältnis (max.)	40 : 1
Fördervolumen pro Förderhub	.038 in ³ (0,62 cm ³)
Antriebsluftdruck (max.)	150 PSIG (10,3 bar)
Schmierdruck (max.)	6000 PSIG (414 bar)
Behälter-Fassungsvermögen	14.5 oz (450 cm ³)
Betriebstemperatur	0 bis 120°F (-18 bis 50°C)
Gewicht (leer)	4.5 Lbs (2 kg)
Gewicht (voll)	5.5 Lbs (2,5 kg)
Schmierstoff (Fett)	bis NLGI #2
Lufteinlass	1/4 - 18 NPSF
Fettauslass	7/16 - 28 UNEF

LEISTUNGSDIAGRAMM DER FETTPRESSE

(Diagramm bei 72°F (22°C), Fett NLGI #2)



SICHERHEIT AM ARBEITSPLATZ

Zuschauer und Besucher, insbesondere Kinder vom Arbeitsplatz fernhalten. Ablenkung bei der Arbeit ist unfallträchtig und kann zu Bedienungsfehlern führen.

INSPEKTION

Das Gerät regelmäßig visuell auf beschädigte, gelöste oder fehlende Teile überprüfen. Im Falle einer Abnutzung oder Beschädigung, das Geräte umgehend außer Betrieb setzen. Kontakt zum autorisierten Kundendienstzentrum aufnehmen, um den Schaden schätzen oder eine Reparatur durchführen zu lassen.

BETRIEB

Die Fettpresse muss nach jeder neuen Fettfüllung oder nach Wechsel der Fettkartusche entlüftet werden. Fettpresse entlüften, bevor wieder Schmierstellen abgeschmiert werden sollen.

Für optimale Funktion und Lebenszeit füllt man ein paar Tropfen Schmieröl (SAE 30 oder höher) in den Luftanschluß an der Unterseite des Handgriffs, wenn die Presse langsam oder ungleichmäßig zu funktionieren beginnt.

© Zur Vorfüllung die Spritze langsam in Gang setzen, indem man den Abzugshebel (8) vorsichtig zieht, bis aus dem offenen Ende des Schlauchs Fett austritt. Das Entlüftungs-/Füllventil (18) muss benutzt werden, um Luftblasen zu eliminieren. Das geschieht, indem man das Entlüftungs- / Füllventil um ein paar Umdrehungen lockert, wobei man die Spritze mit dem Ausflußschlauch aufwärts gerichtet hält und die Luft entweichen lässt. Ist die Luft entfernt, so schließt man das Entlüftungs- / Füllventil. Wenn die Vorfüllung der Spritze nach 10 bis 15 Sekunden der Betätigung nicht erreicht ist, siehe Abschnitt „ZUR BESEITIGUNG VON LUFTBLASEN“.

© Die Spritze stellt ihre Funktion ein, wenn ein Lager oder ein Ansteil blockiert ist, wodurch der Schmierfettdruck auf das Maximum ansteigt. Ein blockiertes Lager oder Ansteil muss in Ordnung gebracht werden, bevor man die Schmierung fortsetzt.

! ACHTUNG

Lufteinschlüsse in Fettkartuschen führen zu Störungen beim Ansaugen und Druckaufbau und können das Aussetzen der Presse zu Folge haben.

ENTFERNEN EINER LEEREN FETTKARTUSCHE

- 1) Mitnehmerstange mit Folgekolben des Fettbehälters am Handgriff so weit nach hinten ziehen, dass die Nut in der Mitnehmerstange am Ende in der Aussparung der Behälter-Verschlußkappe einrastet.
- 2) Den kompletten Fettbehälter abschrauben.
- 3) Mittels Handgriff die Mitnehmerstange vorsichtig entsperren und in den Fettbehälter zurück laufen lassen; dabei wird die leere Kartusche ausgestoßen.

EINSETZEN EINER FETTKARTUSCHE

- 1) Vor dem Einsetzen einer Fettkartusche, die Einbaulage der Folgekolben-Manschette visuell überprüfen. Bei Anwendung von Fettkartuschen muss die Dichtlippe der Manschette im Fettbehälter nach hinten, in Richtung Handgriff, zeigen. Ist eine Ausrichtung der Folgekolben-Manschette erforderlich, Behälter-Verschlußkappe abschrauben und danach am Handgriff die Mitnehmerstange samt Folgekolben aus dem Fettbehälter herausziehen. Manschette des Folgekolbens umstülpen. Anschließend Wiedereinbau vornehmen.
- 2) Mitnehmerstange mit Folgekolben des Fettbehälters am Handgriff so weit nach hinten ziehen, dass die Nut in der Mitnehmerstange am Ende in der Aussparung der Behälter-Verschlußkappe einrastet.
- 3) Plastik-Abschlussdeckel von der Fettkartusche abnehmen und die Kartusche mit dieser Seite in den Behälter hineinschieben.
- 4) Den Abreißdeckel von der Fettkartusche abziehen und danach die Fettbehältereinheit in die Pumpeneinheit schrauben.
- 5) Die Mitnehmerstange von der Behälter-Verschlußkappe ausrasten. Lufteinschlüsse beseitigen. Instruktionen dazu siehe unter 'Entfernen von Lufteinschlüssen'.

**FÜLLEN DER PRESSE AUS FETTBEHÄLTER
ODER MITTELS FÜLLPUMPE**

Umstellung der Fettpresse

- 1) Behälter-Verschlusskappe vom Behälter der Presse abschrauben. Am Handgriff ziehen, um Mitnehmerstange mit Feder und Folgekolben aus der Behälterrohr herauszuziehen.
- 2) Folgekolben zwischen Daumen und Zeigefinger fassen und die Folgekolben-Manschette von hinten nach vorne umstülpen.
HINWEIS: Die Manschette ist hutförmig. Zum Befüllen aus einem Gebinde oder mittels Füllpumpe muss die Dichtlippe der Manschette im Fettbehälter nach vorn, zum Pressenkopf, zeigen.
- 3) Danach Folgekolben samt Feder und Mitnehmerstange wieder in Behälter der Presse einbauen. Behälter-Verschlusskappe mittels Handgriff so ausrichten, dass sich diese mit dem Behälterrohr verschrauben lässt.

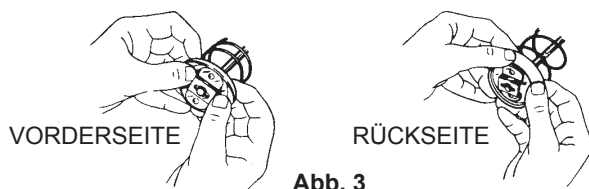


Abb. 3

**BEFÜLLEN DER FETTPRESSE AUS DEM FETT-
GEBINDE**

- 1) Fettbehälter vom Pressenkopf abschrauben.
- 2) Hohlraum im Pressenkopf manuell mit Fett auffüllen.
- 3) Das offene Ende vom Pressenbehälter in das Fett vom Fettgebilde drücken. Den Handgriff langsam nach hinten zurückziehen und gleichzeitig den Pressenbehälter entsprechend tief weiter in das Schmierfett hineindrücken. Dadurch wird vermieden, dass Luftblasen in den Pressenbehälter mit hineingezogen werden.
- 4) Mitnehmerstange mit Folgekolben des Fettbehälters am Handgriff langsam so weit nach hinten ziehen, dass die Nut in der Mitnehmerstange am Ende sichtbar wird und diese seitlich in die Aussparung der Behälter-Verschlusskappe einrasten kann.
- 5) Fettpresse lose mit dem gefüllten Pressenbehälter verschrauben. Mittels Handgriff die Mitnehmerstange von der Behälter-Verschlusskappe ausklinken. Arretierung der Mitnehmerstange im Folgekolben durch Drehung am Handgriff lösen und die Stange in den Pressenbehälter zurückschieben. Die Schraubverbindung vom Pressenbehälter mit der Fettpresse vorsichtig etwas lösen, bis Fett an dieser Verbindungsstelle austritt. Danach den Pressenbehälter sofort fest anschrauben.

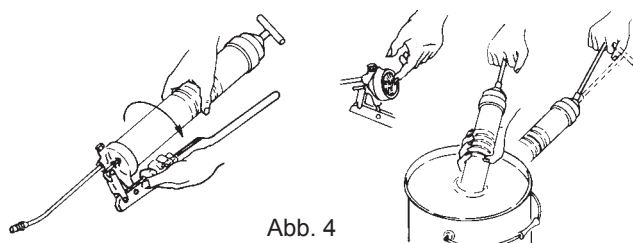


Abb. 4

**BEFÜLLEN DER FETTPRESSE MITTELS FÜLL-
PUMPE**

Mitnehmerstange durch Drehung des Handgriffes mit dem Folgekolben kuppeln. Die Fettpresse am Befüllnippel in den Befüllstutzen der Füllpumpe setzen. Zur Befüllung des Behälters die Füllpumpe betätigen. Der Pressenbehälter ist voll aufgefüllt, sobald die Nut in der Mitnehmerstange freiliegt. (Die Mitnehmerstange ragt ca. 8 Zoll, 30 cm aus dem Behälter hervor) Mitnehmerstange durch Drehung am Handgriff aus dem Folgekolben entkuppeln und in den Pressenbehälter zurückschieben.

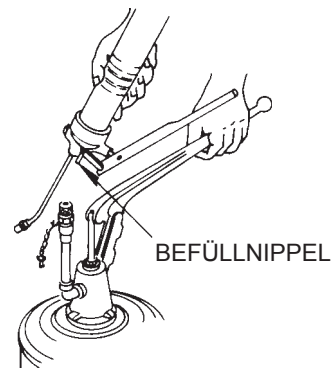


Abb. 5

ENTFERNEN VON LUFTEINSCHLÜSSEN

- 1) Die Mitnehmerstange am Griff des Pressenbehälters nach hinten ziehen und dabei diesen so drehen, dass die Mitnehmerstange mit dem Folgekolben gekuppelt wird. Wenden Sie die Kraft auf dem Nachfolgerhandgriff an, nachdem Sie die Entlüftungsöffnung/die Füllerbefestigung (18) geöffnet haben.
- 2) Fettpresse mehrmals am Abzughebel kurz betätigen, bis die Lufteinschlüsse beseitigt sind.
- 3) Sollte Schritt 2 allein nicht funktionieren, Schraubverbindung vom Pressenbehälter um ca. 1-1/2 Drehungen von der Presse lösen.
- 4) Fest gegen den Griff am Behälterende drücken, bis Fett aus der Schraubverbindung von Behälter und Presse austritt.
- 5) Pressenbehälter wieder an der Fettpresse fest anschrauben.
Nach Abschluss der Entlüftungsarbeiten, die Arretierung der Mitnehmerstange im Folgekolben durch Drehung am Handgriff lösen und die Stange in den Pressenbehälter zurückschieben.

ERSATZTEILE

Pos.	Sach-Nr.	Benennung	Bestandteile	Stk.
1	1230	Schlauch 30"	Schlauch, 30" lang	1
			Dichtung	1
			Warnhinweis-Etikett	1
2	5852	Hydraulikmundstück	Hydraulikmundstück	1
3	274985	Installationssatz-Anschluss -Überprüfung	Frühling Gehäuse	1
			Ventilkugel	1
			Überprüfen Sie Frühling	1
			Dichtung	1
4	272065	Fettpressenbehälter	Behälterbaugruppe	1
			Warnhinweis-Etikett	1
5	274984	Kopf	Pressenkopf	1
			Schraube 10-32 x 1/4	4
			Packung (Kopf-Rohr)	1
			Dichtung (Griff-Kopf)	1
			Kolben-Nutring	1
			Entlüftungsventil/Ladevorrichtung	1
6	274983	Pressen-Handgriff	Handgriff	1
			Schraube 10-32 x 1/4	4
			Dichtung (Griff-Kopf)	1
			Anschlagdämpfer	1
			Firmenzeichen Gelassen	1
			Firmenzeichen-Recht	1
			Typenschild	1
			Handgriff-Griff	1
7	272068	Luftkolben	Kolbenbaugruppe	1
			Schraube 10-32 x 1/4	4
			Dichtung (Handgriff-Kopf)	1
8	274982	Abzughebel	Abzughebel	1
			Kerbstift	1
9	274981	Luftventil	Luftventil	1
			Kerbstift	1
10	271880	Packung	Packung	1
11	272072	Folgekolben	Folgekolben-Garnitur	1
12	272073	Feder	Feder	1
13	274980	Förderkolben	Förderkolben	1
14	272075	Kolbenring	Luftkolben-Dichtung	2
15	272076	Dichtung	Dichtung	1
16	272077	Nutring	Kolben-Nutring	1
17	272078	Griffstück	Mitnehmerstangengriff	1
18	286134	Entlüftungsventil	Entlüftungsventil	1
19	286092	Schlauch-Clip	Schlauch-Clip	1
20	286093	Koppler-Kappe	Koppler-Kappe	1
21	11659	Luft-Nippel	Luft-Nippel	1

AUTOMATIC AIR GREASE GUN MODEL 1162

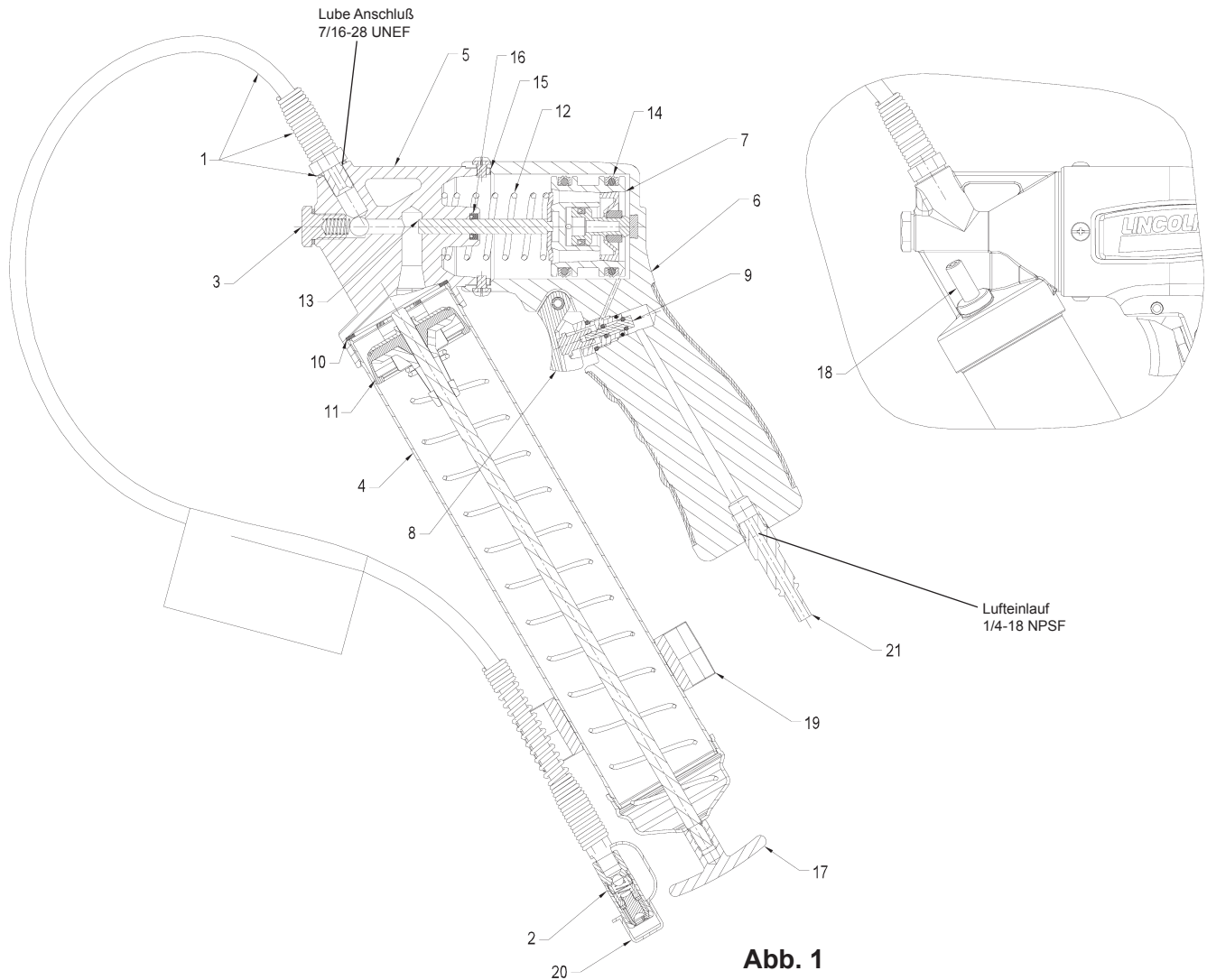


Abb. 1

Anmerkung: Abbildung zeigt die Nachfolgerdichtung Lippe, die für Patrone Gebrauch in Position gebracht wird.

FEHLERSUCHE

Symptom	Mögliche Ursache	Behebung
Fettpresse funktioniert nicht.	Kein Druck am Lufteinlass.	Luftversorgung herstellen
	Luftkolben (7) steckt fest.	Presse demontieren und auf Beschädigungen hin untersuchen. Nötigenfalls ersetzen.
	Antriebsluftdruck zu niedrig.	Luftversorgung überprüfen. Der Druck muss höher als 40 PSIG (2,7 bar) sein.
	Feder (12) gebrochen.	Nötigenfalls ersetzen
Fettpresse funktioniert nicht automatisch	Antriebsluftdruck zu niedrig.	Luftversorgung überprüfen. Der Druck muss höher als 40 PSIG (2,7 bar) sein.
	Luftkolben (7) steckt fest.	Luftschlauch abkuppeln. Abwarten, bis der Luftkolben von der Feder zurückgeschoben wurde. Danach Luftschlauch wieder ankuppeln und Presse betätigen. Funktioniert die Presse immer noch nicht, diese demontieren und auf Beschädigungen hin untersuchen. Nötigenfalls Luftkolben ersetzen.
Fettpressenantrieb taktet, aber es wird kein Fett verpumpt.	Fetzzufuhr ist unterbrochen.	Entlüftungsvorgang wiederholen.
	Pressenbehälter ist leer.	Prüfen, ob Behälter leer ist und ggf. neu befüllen.
	Schmierung wird nach 10 bis 15 Sekunden Betrieb nicht erreicht.	Entfernen Sie den Verlaengerungsschlauch oder die Starrverbindung und betätigen Sie die Schmierpistole bis Fett aus dem Auslass herauskommt.
Fettpresse setzt fortwährend mit der Fettförderung aus.	Durch Befüllung mit losem Fett aus einem Fettgebinde sind möglicherweise Lufteinschlüsse im Pressenbehälter.	Pressenbehälter entleeren, neu füllen und die Entlüftung wiederholen.
	Folgekolbenmanschette (11) falsch ausgerichtet.	Abschnitt über das richtige Befüllen des Pressenbehälters nochmals lesen.
	Rückschlagventil (3) funktioniert nicht.	Rückschlagventil demontieren und Ventiltteile entnehmen. Ventilkugel und Kugelsitz reinigen und inspizieren.
Wenn die Funktionsstörung nicht behoben werden kann.		Kontakt mit einem autorisierten Kundendienstzentrum aufnehmen.

ÍNDICE GENERAL

Seguridad	23
Seguridad personal	23
Descripción	23 & 24
Uso apropiado	25
Especificaciones	25
Área de trabajo	25
Inspección	25
Operación	25
Cómo quitar un cartucho de grasa vacío	25
Instalación del Cartucho de Grasa	25
Para convertir el engrasador	26
Para llenar el engrasador a partir de un recipiente a granel	26
Para llenar el engrasador con una bomba de llenado	26
Para eliminar las bolsas de aire	26
Piezas de repuesto	27 & 28
Localización y resolución de problemas	29
Versión inglés	2-8
Versión francesa	9-16
Versión alemana	17-22

SEGURIDAD

Lea y observe detenidamente estas instrucciones de operación antes de desempacar y operar el engrasador neumático. El engrasador debe ser operado, mantenido y reparado exclusivamente por una persona que esté familiarizada con las instrucciones de operación. Opere el engrasador sólo después de haber entendido completamente las instrucciones de seguridad y este manual de operación.

ADVERTENCIA

La presión extrema puede hacer que la manguera reviente. Use sólo mangueras APROBADAS por LINCOLN y siga las instrucciones y advertencias de la manguera.

ADVERTENCIA

El engrasador puede producir una alta presión, de hasta 6.000 lb/pulg² manométricas (408 bares). Use gafas de seguridad y guantes para protegerse durante la operación. No toque con las manos la parte de caucho expuesta de la manguera.

Instrucciones de seguridad

Este engrasador genera una elevada presión de engrase. Se debe tener mucho cuidado al operar el engrasador, ya que las fugas de material de componentes sueltos y reventados pueden inyectar fluido en el cuerpo a través de la piel produciendo lesiones corporales graves. Se recomienda una protección adecuada para impedir que salpique material en la piel u ojos.

ADVERTENCIA

Si parece que hay fluido que penetra en la piel, obtenga ayuda de emergencia médica inmediatamente. No lo trate como una simple cortadura. Diga al médico exactamente que fluido se inyectó.

© Indica el cambio

SEGURIDAD PERSONAL

1. Lleve siempre puestos protectores en los ojos. El engrasador puede generar hasta 6.000 lb/pulg² manométricas (414 bares).
2. Use sólo mangueras de salida Lincoln N/P 1218, 1224, 1230 ó 1236. Las lesiones causadas por la inyección de grasa son muy graves. Sujete la manguera solamente en el área del protector de resorte.
3. Evite la puesta en marcha por accidente. Asegúrese de que el interruptor no esté en encendido al conectar la manguera de aire de entrada.
4. No doble la manguera en radios pequeños.
5. Reemplace la manguera cuando se observe el primer indicio de desgaste, retorceduras o daños en el revestimiento exterior.

INSTRUCCIONES DE ARRANQUE RÁPIDO[©]

1. Conecte la manguera de engrase de alta presión y el acoplamiento, (1) a la salida de la cabeza (5). La empaquetadura de cobre debe usarse para sellar la rosca de la manguera de sellado en la cabeza. Apriete bien.
2. Conecte el niple del acoplamiento de aire (21) al orificio de la parte inferior del asa (6) y apriete bien.
3. Llene el recipiente de grasa. (Consulte las diversas opciones en la sección correspondiente del manual).
4. Ceebe la pistola de engrase haciéndola funcionar lentamente hasta que salga grasa del acoplamiento (2). Consulte el procedimiento de cebado detallado en la sección de Operación.
5. Ajuste la presión de aire a la pistola de engrase según sea necesario, y la pistola estará lista ahora para usarse.
6. Desconecte el suministro de aire de la pistola de engrase cuando no se esté usando.

DESCRIPCIÓN

El engrasador neumático Lincoln es una unidad de operación completamente neumática y automática. El engrasador se desarrolló para la lubricación manual de los puntos de engrase y puede calarse en caso de que haya un cojinete, conexión o tubo de lubricación bloqueado. El engrasador es una bomba volumétrica de accionamiento sencillo que suministra lubricante cada vez que el émbolo (13) se mueve hacia adelante.

- © El engrasador funciona al apretar el gatillo (8). El aire pasa a la cámara A (vea la Fig. 1) y empuja el pistón (7) con el émbolo (13) a la izquierda. La válvula de descarga B está cerrada. La grasa, sometida a presión por el émbolo (13), abre la válvula de retención (3) y se suministra un chorro de lubricante.

La pistola dispone de una válvula de gatillo de mariposa. Al apretar ligeramente el gatillo (8) la pistola empezará a funcionar lentamente. A medida que se hace más fuerza en el gatillo con el dedo, la velocidad de la pistola aumentará gradualmente hasta que se alcance la máxima velocidad con el gatillo completamente apretado. La velocidad máxima de la pistola se limita a reducir los problemas asociados con la distribución demasiado rápida del lubricante, como daños en los sellos de los cojinetes y fundas para el polvo.

Cuando el pistón (7) alcanza la muesca de derivación C (vea la Fig. 2) el aire pasa a la cámara D y abre la válvula de descarga B. La presión de aire de la cámara A se alivia por la válvula B y respiradero E a la cámara F que se comunica con la atmósfera por el agujero G. La presión de aire se iguala en ambos lados del pistón (7) y la fuerza del resorte (12) volverá a poner el pistón en la posición inicial, recargando el engrasador (vea la Fig. 1). La válvula de descarga B se cerrará y el aire de la cámara D se descarga a la atmósfera por la muesca de derivación C. El ciclo se repite de la misma manera mientras se mantenga apretado el gatillo.

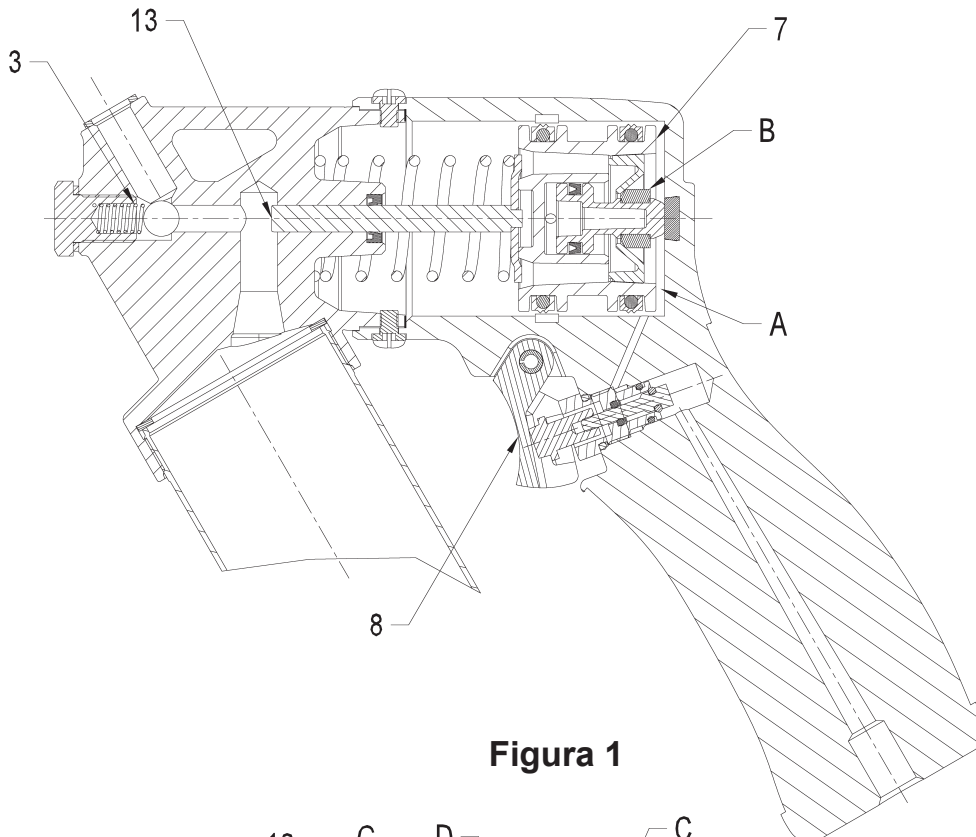


Figura 1

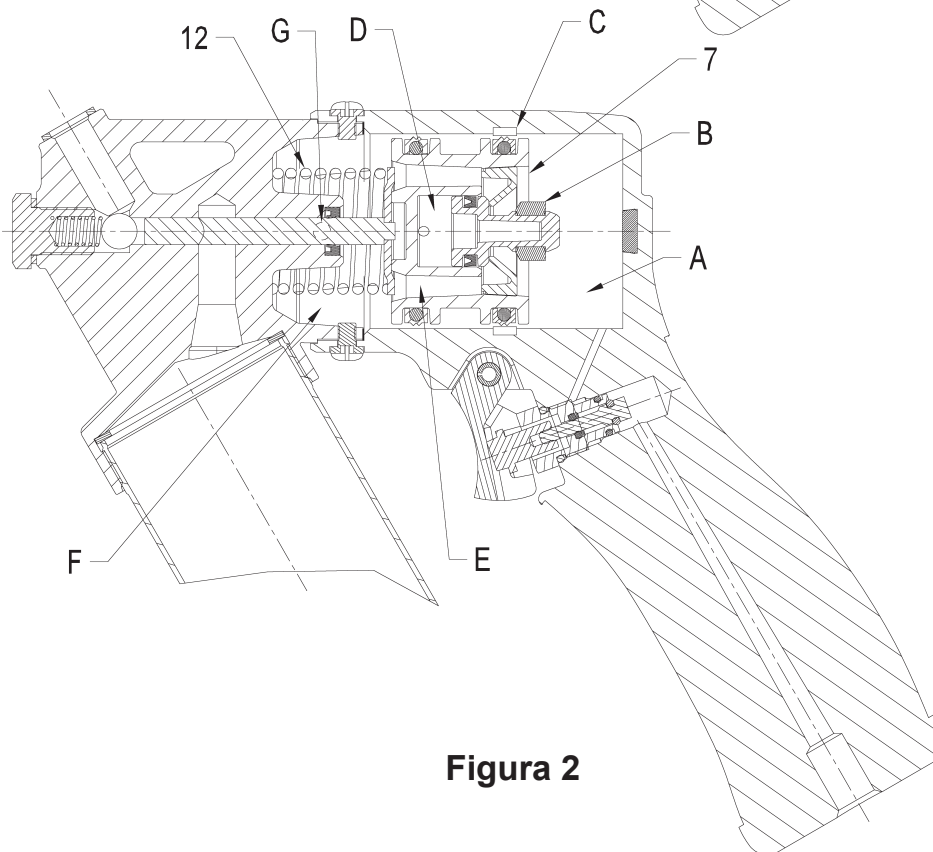


Figura 2

AUTOMATIC AIR GREASE GUN MODEL 1162



USO APROPIADO

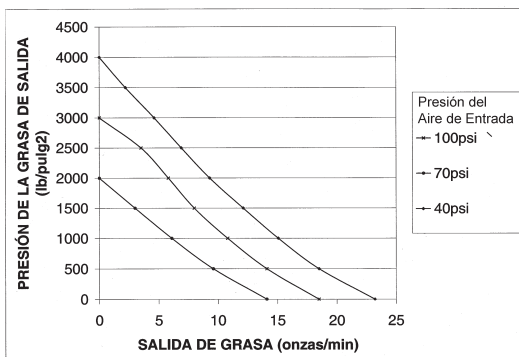
El engrasador neumático se diseñó exclusivamente para bombear y distribuir lubricante usando energía neumática. No se debe exceder la máxima especificación nominal. Cualquier otro uso que no esté de acuerdo con las instrucciones resultará en una pérdida de las reclamaciones de garantía o responsabilidad civil.

ESPECIFICACIONES

Razón de la bomba (máx.)	40:1
Volumen por bombeo	0,038 pulg ³ (0,62 cm ³)
Presión de entrada neumática (máx.)	1500 lb/pulg ² manométricas (10,3 bares)
Presión de salida de la grasa (máx.)	6000 lb/pulg ² manométricas (408 bares)
Capacidad del depósito de grasa	14,5 onzas (450 cm ³)
Rango de temperaturas de operación	0 a 120°F (-18 a +50°C)
Peso (vacío)	4,5 lb (2,0 kg)
Peso (lleno)	5,5 lb (2,5 kg)
Lubricante según NLGI	Grasa No. 2
Entrada del orificio neumático	¼-18 NPSF
Salida del orificio de engrase	7/16-28 UNEF

GRÁFICO DE RENDIMIENTO DEL ENGRASADOR NEUMÁTICO

(Gráfico a 72°F (22°C) con grasa NLGI No. 2).



ÁREA DE TRABAJO

No deje que se acerquen espectadores, niños y visitantes durante la operación. Las distracciones pueden hacer que cometa errores.

INSPECCIÓN

Inspeccione visualmente si hay piezas dañadas, sueltas o que faltan. Si el equipo está desgastado o dañado, retírelo del servicio. Póngase en contacto con un centro de servicio autorizado para evaluar los daños o reparar.

OPERACIÓN

Cebe el engrasador neumático cada vez que lo rellene o cambie el cartucho de grasa. Cebe el engrasador antes de usarlo para lubricar los puntos de engrase.

© Indica el cambio

Para obtener un rendimiento y una duración óptimos del producto, añada unas pocas gotas de aceite lubricante (SAE 30 o mayor) por la conexión de aire, en la parte inferior de la palanca, si la pistola empieza a ciclar de forma lenta o irregular.

© Para cebar, haga funcionar la pistola lentamente, apretando suavemente el gatillo (8), hasta que la grasa salga por el extremo abierto de la manguera. La válvula de ventilación/llenado (18) debe usarse para expulsar bolsas de aire. Esto se hace aflojando la válvula de ventilación/llenado un par de veces, sujetando la pistola con la manguera de descarga apuntando hacia arriba, y dejando que se escape el aire. Cierre la válvula de ventilación/llenado después de eliminar el aire. Si no se puede cebar después de haber operado la pistola 10-15 segundos, consulte la sección "PARA EXPULSAR LAS BOLSAS DE AIRE".

© La pistola se calará si se bloquea un cojinete o una conexión, haciendo que la presión de engrase aumente al máximo. Se debe corregir un cojinete o conexión bloqueados antes de seguir la lubricación.

! ADVERTENCIA

La presencia de bolsas de aire en el lubricante del cartucho hará que el engrasador deje de entregar grasa.

CÓMO QUITAR UN CARTUCHO DE GRASA VACÍO

- 1) Tire hacia atrás de la palanca del seguidor hasta que la varilla del seguidor esté completamente extendida y enganche la muesca de la varilla del seguidor en la ranura de la tapa del tubo.
- 2) Desatornille el conjunto de tubo de engrase del engrasador.
- 3) Suelte con cuidado la palanca del seguidor para expulsar el cartucho vacío del tubo del recipiente.

INSTALACIÓN DEL CARTUCHO DE GRASA

- 1) Inspeccione visualmente el sentido del labio de sellado del seguidor antes de cargar un cartucho nuevo. El labio de sellado del seguidor debe estar dirigido hacia la palanca o lado de atrás a fin de cargar el cartucho. Para cambiar el sentido del sello del seguidor, desatornille la tapa del tubo del conjunto de tubo de engrase. Dé la vuelta al sello del seguidor y vuelva a montar.
- 2) Tire hacia atrás de la palanca del seguidor y enganche la muesca de la varilla del seguidor en la ranura de la tapa del tubo.
- 3) Quite la tapa de plástico del cartucho de grasa e inserte el cartucho en el tubo del recipiente.
- 4) Quite la lengüeta de tracción del cartucho de grasa y atornille el conjunto de tubo de engrase en el conjunto de bomba.
- 5) Suelte la varilla del seguidor de la ranura. Purgue el aire de la bomba. Vea las instrucciones de purga de aire.

PARA CONVERTIR EL ENGRASADOR A FIN DE RELLENARLO A PARTIR DE UN RECIPIENTE A GRANEL O UNA BOMBA DE LLENADO

- 1) Desatornille la tapa del recipiente del tubo del recipiente. Tire de la palanca del seguidor para extraer el seguidor y resorte del tubo del recipiente.
- 2) Agarre el seguidor entre el dedo pulgar y el dedo índice y dé la vuelta al labio del seguidor del lado trasero al lado delantero.

NOTA: El seguidor se asemeja a una taza. Cuando el engrasador esté montado para usarse con lubricante a granel, la taza se abre hacia el conjunto de cabeza.

- 3) Vuelva a montar el seguidor en el recipiente y coloque la palanca del seguidor de modo que la tapa del recipiente pueda apretarse en el tubo del recipiente

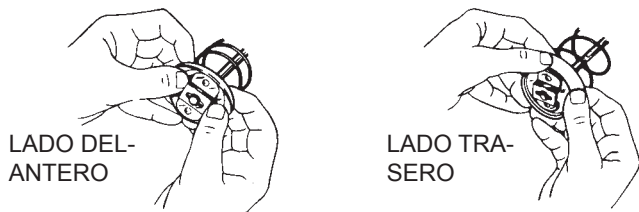


Fig. 3

PARA LLENAR EL ENGRASADOR A PARTIR DE UN RECIPIENTE A GRANEL

- 1) Quite el conjunto de cabeza y émbolo del tubo del recipiente.
- 2) Aplique lubricante en la cavidad del conjunto de cabeza y émbolo.
- 3) Inserte el extremo abierto del tubo del recipiente dentro del lubricante. Tire lentamente de la palanca del seguidor hacia atrás a la vez que empuje el tubo del recipiente más dentro del lubricante para impedir que las bolsas de aire pasen al tubo del recipiente.
- 4) Cuando la varilla del seguidor esté completamente extendida, tire de la misma hacia un lado para enganchar la muesca de la varilla en la ranura de bocallave de la tapa del recipiente.
- 5) Monte sin apretar el conjunto de cabeza y émbolo en el tubo del recipiente lleno. Suelte la varilla del seguidor de la tapa del recipiente y desenganche la varilla del seguidor girando la palanca del seguidor. Empuje la varilla del seguidor dentro del recipiente. Desatornille lentamente el tubo del recipiente del conjunto de cabeza y émbolo hasta que salga lubricante de la interconexión. Apriete el tubo del recipiente en el conjunto de cabeza y émbolo.

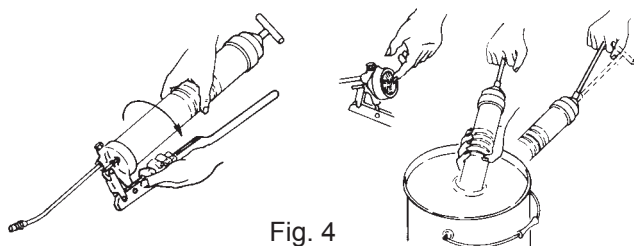
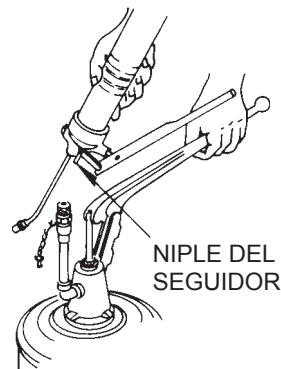


Fig. 4

PARA LLENAR EL ENGRASADOR CON UNA BOMBA DE LLENADO

Enganche la varilla del seguidor con el seguidor haciendo girar la palanca del seguidor. Inserte el niple de relleno del engrasador en el receptáculo de la bomba de relleno. Opere la bomba de llenado para rellenar el recipiente. Cuando se haya dejado al descubierto la muesca de la varilla del seguidor, el recipiente se llena (la varilla del seguidor se extenderá completamente unas 8 pulgadas o 20 cm). Desenganche la varilla del seguidor haciendo girando la palanca del seguidor. Empuje la varilla del seguidor dentro del recipiente.



PARA ELIMINAR LAS BOLSAS DE AIRE

- 1) Retire la varilla del seguidor de la tapa del conjunto de tubo de engrase y engánchelo con el seguidor girando la palanca del seguidor. Ejercer la fuerza en la manija del seguidor después de abrir el respiradero/la guarnición del llenador (18) (vea la Fig. 6).
- 2) Apriete el gatillo durante períodos cortos para operar el engrasador hasta que se elimine el aire atrapado. Desenganche la varilla del seguidor girando la palanca del seguidor. Empuje la varilla del seguidor dentro del conjunto de tubo de engrase.
- 3) Si el paso 2 no da resultado, desatornille el conjunto del tubo de engrase 1 ½ vueltas del conjunto de bomba.
- 4) Ejercer fuerza en la palanca del seguidor hasta que salga lubricante de la interconexión del conjunto de tubo de engrase y conjunto de bomba.
- 5) Apriete el conjunto del tubo de engrase en el conjunto de bomba. Desenganche la varilla del seguidor girando la palanca del seguidor. Empuje la varilla del seguidor dentro del conjunto del tubo de engrase.

Piezas de repuesto

NO.	NO. DE PIEZA	DESCRIPCIÓN	INCLUYE	CDAD.
1	1230	Manguera de 30"	Manguera de 30"	1
			Empaque	1
			Etiqueta de advertencia	1
2	5852	Acoplamiento hidráulico	Miniacoplamiento	1
3	274985	Cheque Del Enchufe Del Kit	Cubierta Del Resorte	1
			Bola	1
			Compruebe El Resorte	1
			Junta	1
4	272065	Tubo de engrase	Conj. de recipiente	1
			Etiqueta de advertencia	1
5	274984	Cabeza	Cabeza maquinada	1
			Tornillo de 10-32 x 1/4	4
			Guarnición (cabeza-tubo)	1
			Empaque (palanca-cabeza)	1
			Varilla limpiadora	1
			Válvula de descarga/Cargador	1
6	274983	Palanca	Palanca maquinada	1
			Tornillo de 10-32 x 1/4	4
			Empaque (cabeza-tubo)	1
			Tope	1
			La Insignia Se fue	1
			La Derecha De la Insignia	1
			Placa de identificación	1
			Apretón De la Manija	1
7	272068	Pistón	Conj. de pistón	1
			Tornillo de 10-32 x 1/4	4
			Empaquetadura (cabeza-tubo)	1
8	274982	Gatillo	Gatillo	1
			Pivote de rodillo	1
9	274981	Válvula de gatillo	Válvula de gatillo	1
			Pivote de rodillo	1
10	271880	Guarnición	Guarnición	1
11	272072	Seguidor	Conj. de seguidor	1
12	272073	Pistón de resorte	Resorte de retorno	1
13	274980	Émbolo	Conj. de émbolo	1
14	272075	Sello abovedado	Sello abovedado	2
15	272076	Empaque	Empaque	1
16	272077	Rascador	Varilla rascadora	1
17	272078	Palanca	Palanca	1
18	286134	Respiradero/Kit A granel De la Válvula	Respiradero/Kit A granel De la Válvula	1
19	286092	Clip De la Manguera	Clip De la Manguera	1
20	286093	Casquillo Del Acoplador	Casquillo Del Acoplador	1
21	11659	Entrerrosca Del Aire	Entrerrosca Del Aire	1

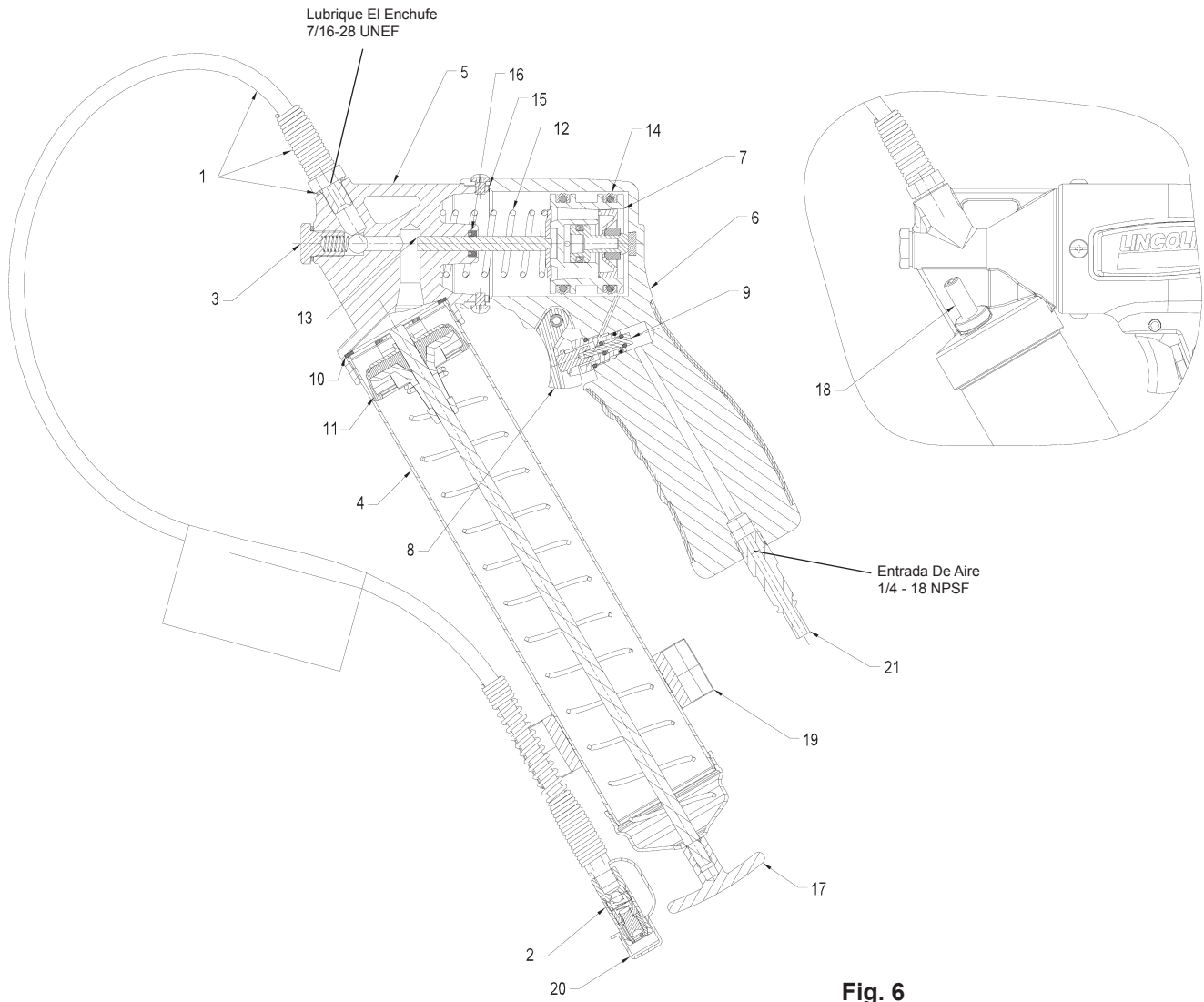


Fig. 6

NOTA: La ilustración muestra el labio de sellado del seguidor colocado para usar con un cartucho.

Localización de averías

Condiciones	Causa posible	Acción correctora
El engrasador no funciona.	No hay aire de entrada.	Conecte el suministro de aire.
	El pistón (7) está trabado.	Desmunte el engrasador, inspeccione para ver si está dañado. Reemplace si es necesario.
	La presión de aire es demasiado baja.	Compruebe el suministro de aire comprimido. La presión debe ser mayor que 40 lb/pulg ² .
	Resorte de retorno (12) roto.	Reemplace si es necesario.
El engrasador no funciona automáticamente	La presión de aire es demasiado baja.	Compruebe el suministro de aire comprimido. La presión debe ser mayor que 40 lb/pulg ² .
	El pistón está trabado (7).	Desconecte la manguera de suministro de aire y sujete hasta que el resorte esté contraído, el pistón esté hacia atrás y cicle el engrasador. Si el engrasador no funciona, desmóntelo e inspecciónelo para ver si está dañado. Reemplace el pistón si está dañado.
El engrasador cicla pero no bombea grasa	Dejo de estar cebado.	Repita la operación de cebado.
	El recipiente no tiene grasa.	Compruebe si el recipiente tiene grasa.
	El cebado no se realiza después de 10 a 15 segundos de operación	Desconecte la manguera de extensión o extensión rígida y cicle la pistola hasta que la grasa fluya por la salida.
El engrasador sigue dejando de estar cebado.	Puede haber aire atrapado en varios lugares en el recipiente después del llenado a granel.	Vacíe el recipiente, rellene y repita el cebado.
	Los labios del seguidor (11) están mal colocados.	Consulte el párrafo en el tubo del recipiente.
	La válvula de retención de bola (3) no funciona.	Desmunte la válvula de retención, quite la bolsa, limpie e inspeccione el área de asentamiento de la bola.
Si el engrasador sigue sin operar.		Póngase en contacto con un centro de servicio autorizado.

AUTOMATIC AIR GREASE GUN MODEL 1162



Declaration of Conformity as defined by Machinery Directive 98/37/EG Annex II A

This is to declare that the design of the Air Operated (Model 1162) Grease Gun complies with the provisions of Directive 98/37/EG

Déclaration de Conformité telle qu'elle est définie par la Directive des Machineries 98/37/EG Annexe II A

Le design du pistolet pneumatique à graisse (modèle 1162) est conforme aux provisions de la Directive 98/37/EG.

Konformitätserklärung, wie in der Machinery Directive 98/37/EG Annex II A gegeben

Hiermit wird erklärt, daß die druckluftbetriebene Fettpresse (Modell 1162) den Anforderungen der Direktive 98/37/EG entspricht.

Declaración de conformidad según se define en la Directiva de maquinaria 98/37EG Anexo II A

Esto es para declarar que el diseño del engrasador neumático (modelo 1162) cumple con las estipulaciones de la Directiva 98-37-EG.

Applied Standards:

- | | |
|----------|---|
| EN 292-1 | Safety of Machinery - Basic Concepts, General Principles and Design - Part 1: Basic Terminology, Methodology |
| EN 292-2 | Safety of Machinery - Basic Concepts, General Principles and Design - Part 2: Technical Principles and Specifications - Incorporates amendments 1 (1995) and 2 (1997) |
| EN 809 | Pumps and Pump Units for Liquids - Common Safety Requirements |
| EN 349 | Safety of Machinery - Minimum Gaps to Avoid Crushing of Parts of the Human Body |

Paul A. Conley

St. Louis, MO 10/23/01, Paul Conley, Chief Engineer

Americas:
One Lincoln Way
St. Louis, MO 63120-1578
USA
Phone +1.314.679.4200
Fax +1.800.424.5359

Europe/Africa:
Heinrich-Hertz-Str 2-8
D-69183 Walldorf
Germany
Phone +49.6227.33.0
Fax +49.6227.33.259

Asia/Pacific:
25 Int'l Business Park
#01-65 German Centre
Singapore 609916
Phone +65.562.7960
Fax +65.562.9967

© Copyright 2006
Printed in USA

Web site:
www.lincolnindustrial.com

Free Manuals Download Website

<http://myh66.com>

<http://usermanuals.us>

<http://www.somanuals.com>

<http://www.4manuals.cc>

<http://www.manual-lib.com>

<http://www.404manual.com>

<http://www.luxmanual.com>

<http://aubethermostatmanual.com>

Golf course search by state

<http://golfingnear.com>

Email search by domain

<http://emailbydomain.com>

Auto manuals search

<http://auto.somanuals.com>

TV manuals search

<http://tv.somanuals.com>