

X-Tractor 250FG/340FG/500FG

Fume Extraction Guns

Optimize your welding system by utilizing Lincoln's X-Tractor Fume Exhaust welding guns. Designed for MIG, Metal-Core and Gas-Shielded Flux-Cored welding, these lightweight flexible welding guns are ideal for any shop welding application.

From maintenance to production welding, we have you covered. Select our 250FG model for lower amperage welding applications, our 340FG model for mid-range applications and our 500FG water-cooled model for those higher amperage welding applications.



Processes

MIG, Metal-Core, Flux-Cored

Advantage Lincoln

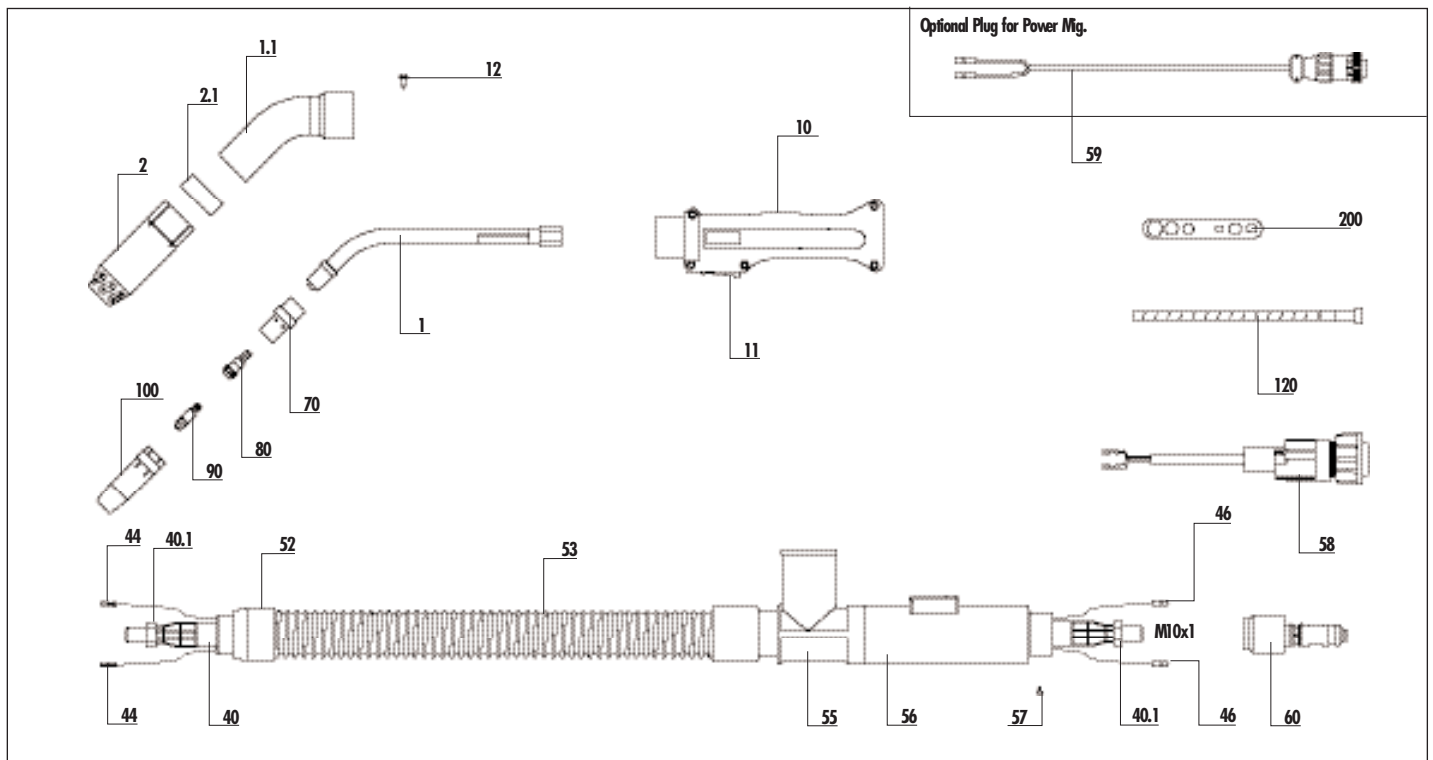
- Ergonomic design offers optimum feel and balance in all welding positions.
- Light weight design reduces operator fatigue.
- Swivel connector improves control for correct positioning of the torch.
- Light weight and flexible fume hose increases ease of handling.
- Two piece cable support with exclusive pivoting t-connector allows optimum positioning of extraction hose.
- Air vent ring provides fingertip adjustment of air flow volume.
- Close-fitting housing protects trigger circuit.
- Air-cooled and water-cooled models available.

TECHNICAL SPECIFICATIONS

Product Name	Product Number	Rated Output	Length	Wire Sizes in. (mm)
X-Tractor 250FG	M20909-1	250 amps/60% CO ₂ 220 amps/60% mixed gas	15 ft.	.030 - .045" (0.8 - 1.2 mm)
X-Tractor 340FG	M20909-2	340 amps/60% CO ₂ 320 amps/60% mixed gas	15 ft.	.035 - 1/16" (0.9 - 1.6 mm)
X-Tractor 500FG	M20909-3	500 amps/60% CO ₂ 450 amps/60% mixed gas	15 ft.	.035 - 1/16" (0.9 - 1.6 mm)

FEATURES

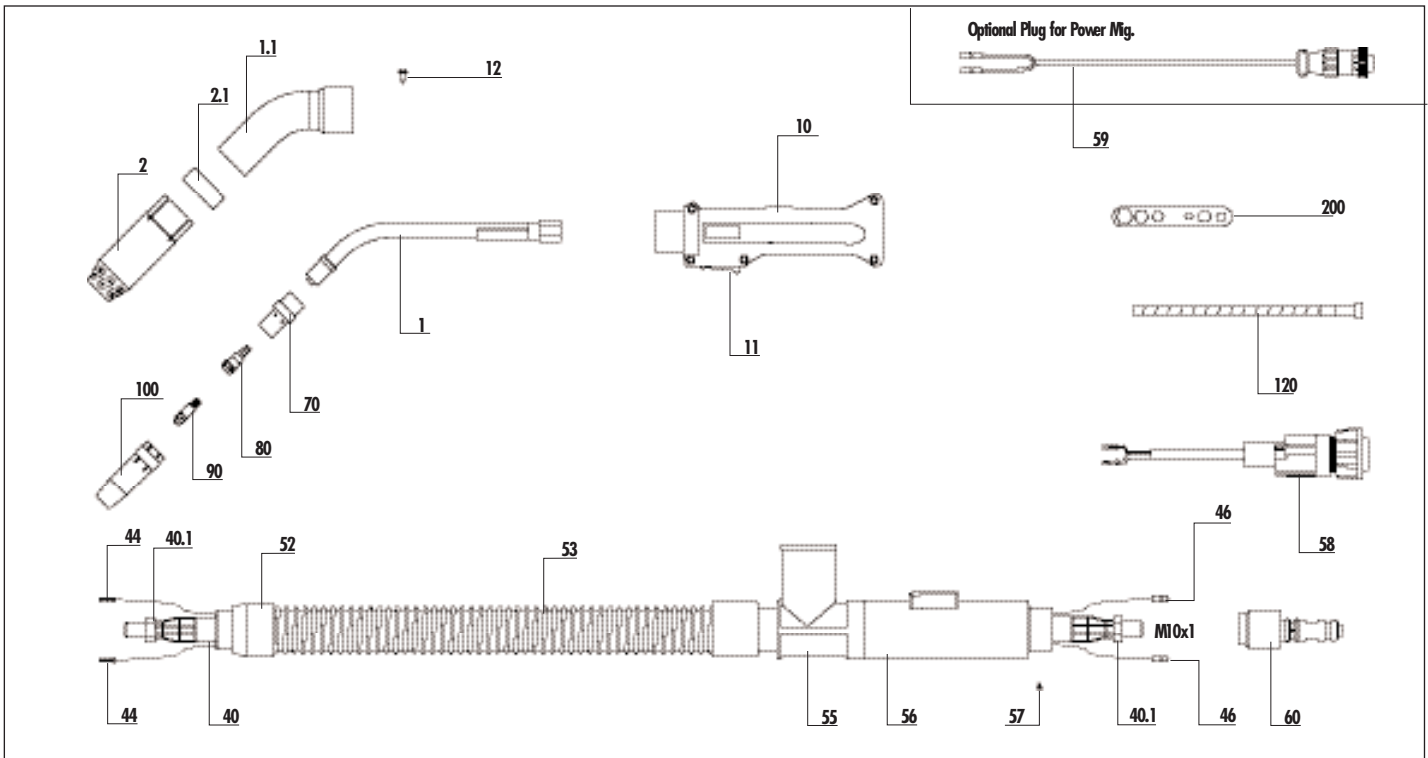
XTRACTOR 250FG Smoke Extraction Gun



ITEM NO.	DESCRIPTION	PART NUMBER	ITEM NO.	DESCRIPTION	PART NUMBER
1	Gooseneck 250FG	S26369-36	* 60	Block Adapter Tweco 250FG, 340FG	S26369-17
1.1	Outer Tube, all FG Models	S26369-1	* 70	Diffuser 250FG	S26370-1
2	Tapered Fume Shroud, 250FG	S26369-28	* 80	Tip Holder M6 26mm, 250FG	S26371-1
2.1	Fume Shroud Clip	S26369-42	90	Contact Tip 030" M6 CU 069 (8X28 mm)	S22645-346
10	Handle, Pair, all FG Models	S26369-4	* 90	Contact Tip 035" M6 CU 069 (8X28 mm)	S22645-350
11	Trigger Black all FG Models	S26369-45	90	Contact Tip 045" M6 CU 069 (8X28 mm)	S22645-345
N/S	Micro-Switch, all FG Models	S26369-5	90	Contact Tip 030" M6 CZ 069 (8X28mm)	S22645-347
12	Handle Screw, M3.5x9.5, all FG Models	S26369-6	90	Contact Tip 035" M6 CZ 069 (8X28mm)	S22645-62
40	Power Cable Assembly 15', 250FG	S26369-39	90	Contact Tip 045" M6 CZ 069 (8X28 mm)	S22645-51
40.1	Nut Lock M10X1, 250FG/340FG	S26369-8	100	Nozzle Cylindrical 17mm ID, 250FG	S26372-1
44	Connector Female Spade Trigger, all FG Models	S26369-9	* 101	Nozzle Conical 12.5mm ID, 250FG	S26372-2
46	Connector Male Trigger, all FG Models	S26369-10	N/S	Nozzle Conical Small 10mm ID, 250FG	S26372-3
52	Cable Support, all FG Models	S26369-12	* 120	Liner Steel Insulated .035"-.045" 17'	S26373-1
53	Outer Plastic Cover 15', 250FG, 340FG	S26369-11		Liner Steel .024"-.035" 17', 250FG, 340FG	S26373-5
55	Support Rear Tree, all FG Models	S26369-13		Liner Steel .052"-.062" 17', 250FG, 340FG	S26373-4
56	Support Rear CPL, all FG Models	S26369-14	200	Contact Tip Wrench	S26369-34
57	Screw M4x6, all FG Models	S26369-15	N/S	Leather Cover, all FG Models	S26369-35
58	Plug Amphenol Lincoln 2/pin male	S26369-16	N/S	Feeder Connector Kit Lincoln LN	S26369-43
59	Trigger Lead MR/LN for FG Guns	S26369-41	N/S	Feeder Connector Kit Miller	S26369-44

FEATURES

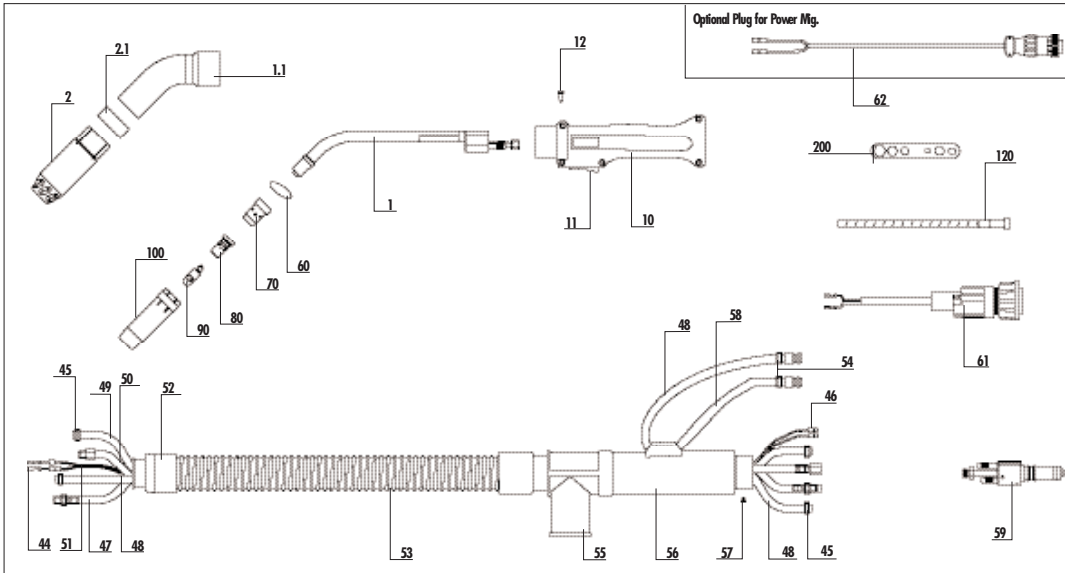
XTRACTOR 340FG Smoke Extraction Gun



ITEM NO.	DESCRIPTION	PART NUMBER	ITEM NO.	DESCRIPTION	PART NUMBER
1	Gooseneck 340FG	S26369-37	* 60	Block Adapter Tweco 250FG, 340FG	S26369-17
1.1	Outer Tube, all FG Models	S26369-1	* 70	Diffuser, 340FG	S26370-2
2	Tapered Fume Shroud, 340, 500FG	S26369-2	* 80	Tip Holder M8 28mm, 340FG	S26371-2
2.1	Fume Shroud Clip	S26369-42	90	Contact Tip .035" M8 CU 262 (10x30mm)	S22645-351
10	Handle, Pair., all FG Models	S26369-4	* 90	Contact Tip .045" M8 CU 262 (10x30mm)	S22645-352
11	Trigger Black all FG Models	S26369-45	90	Contact Tip .052" M8 CU 262 (10x30mm)	S22645-353
N/S	Micro-Switch, all FG Models	S26369-5	90	Contact Tip .062" M8 CU 262 (10x30mm)	S22645-354
12	Handle Screw, M3.5x9.5, all FG Models	S26369-6	90	Contact Tip .035" M8 CZ 262 (10x30mm)	S22645-55
40	Power Cable Assembly 15', 340FG	S26369-7	90	Contact Tip .045" M8 CZ 262 (10x30mm)	S22645-95
40.1	Nut Lock M10x1, 250FG, 340FG	S26369-8	90	Contact Tip .052" M8 CZ 262 (10x30mm)	S22645-54
44	Connector Female Spade Trigger, all FG Models	S26369-9	90	Contact Tip .062" M8 CZ 262 (10x30mm)	S22645-9
46	Connector Male Trigger, all FG Models	S26369-10	100	Nozzle Gas 19mm ID, 340FG	S26372-4
52	Cable Support, all FG Models	S26369-12	* 100	Nozzle Gas 16mm ID, 340FG	S26372-5
53	Outer Plastic Cover 15', 260FG, 340FG	S26369-11	100	Nozzle Gas 12mm ID, 340FG	S26372-6
55	Support Rear Tree, all FG Models	S26369-13	* 120	Liner Steel .035"-.045" 17', 250FG, 340FG	S26373-1
56	Support Rear CPL, all FG Models	S26369-14		Liner Steel .052"-.062" 17' 250FG, 340FG	S26373-4
57	Screw M4x6, all FG Models	S26369-15	200	Contact Tip Wrench 500FG	S26369-34
58	Plug Amphenol Lincoln 2/Pin Male	S26369-16	N/S	Leather Cover, all FG Models	S26369-35
59	Trigger Lead MR/LN for FG Guns	S26369-41	N/S	Feeder Connection Kit Lincoln LN	S26369-43
			N/S	Feeder Connection Kit Miller	S26369-44

FEATURES

XTRACTOR 500FG Smoke Extraction Gun



ITEM NO.	DESCRIPTION	PART NUMBER	ITEM NO.	DESCRIPTION	PART NUMBER
1	Gooseneck 500FG	S26369-38	57	Screw M4x6, all FG Models	S26369-15
1.1	Outer Tube, all FG Models	S26369-1	59	Block Adapter Tweco, 500FG	S26369-18
2	Tapered Fume Shroud, 340, 500FG	S26369-2	60	Insulating Disk, 500FG	S26369-19
2.1	Fume Shroud Clip	S26369-42	61	Plug Amphenol Lincoln 2/Pin Male	S26369-16
10	Handle pair, all FG Models	S26369-4	62	Trigger Lead MR/LN for FG Guns	S26369-41
11	Trigger Black all FG Models	S26369-45	* 70	Diffuser, 500FG	S26370-3
N/S	Micro-Switch, all FG Models	S26369-5	* 80	Tip Holder M8 25mm, 500FG	S26371-3
12	Handle Screw M3.5x9.5, all FG Models	S26369-6	90	Contact Tip .035" M8 CU 262 (10x30mm)	S22645-351
44	Connector Female Spade Trigger, all FG Models	S26369-9	* 90	Contact Tip .045" M8 CU 262 (10x30mm)	S22645-352
45	Clamp Hose 8.7mm Steplless, 500FG	S26369-25	90	Contact Tip .052" M8 CU 262 (10x30mm)	S22645-353
46	Connector Male Trigger, all FG Models	S26369-10	90	Contact Tip .062" M8 CU 262 (10x30mm)	S22645-354
47	Power Cable, 500FG	S26369-22	90	Contact Tip .035" M8 CZ 262 (10x30mm)	S22645-55
48	Hose Water Blue 5x8mm	S26369-23	90	Contact Tip .045" M8 CZ 262 (10x30mm)	S22645-95
49	Hose Gas 4.9x7mm	S26369-26	90	Contact Tip .052" M8 CZ 262 (10x30mm)	S22645-54
50	Conduit 15', 500FG	S26369-40	90	Contact Tip .062" M8 CZ 262 (10x30mm)	S22645-9
51	Wire 2 Conductor Block, 500FG	S26369-24	* 100	Nozzle Gas 14mm ID, 500FG	S26372-9
52	Cable Support, all FG Models	S26369-12	100	Nozzle Gas 16mm ID, 500FG	S26372-8
53	Outer Plastic Cover, 500FG 15'	S26369-30	100	Nozzle Gas 20mm ID, 500FG	S26372-7
54	Male Water Fitting, 500FG	S26369-27	* 120	Liner Steel .035"-.045" 17' 500FG	S26373-2
55	Support Rear Tree, all FG Models	S26369-32	120	Liner Steel .052"-.062" 17' 500FG	S26373-3
56	Support Rear CPL, all FG Models	S26369-14	200	Contact Tip Wrench, 500FG	S26369-34
58	Hose Water Red 5x8mm - Bulk, 500FG	S26369-29	N/S	Leather Cover, all FG Models	S26369-35

N/S = Not Shown.

* Standard Set-up.

CUSTOMER ASSISTANCE POLICY

The business of The Lincoln Electric Company is manufacturing and selling high quality welding equipment, consumables, and cutting equipment. Our challenge is to meet the needs of our customers and to exceed their expectations. On occasion, purchasers may ask Lincoln Electric for advice or information about their use of our products. We respond to our customers based on the best information in our possession at that time. Lincoln Electric is not in a position to warrant or guarantee such advice, and assumes no liability, with respect to such information or advice. We expressly disclaim any warranty of any kind, including any warranty of fitness for any customer's particular purpose, with respect to such information or advice. As a matter of practical consideration, we also cannot assume any responsibility for updating or correcting any such information or advice once it has been given, nor does the provision of information or advice create, expand or alter any warranty with respect to the sale of our products.

Lincoln Electric is a responsible manufacturer, but the selection and use of specific products sold by Lincoln Electric is solely within the control of, and remains the sole responsibility of the customer. Many variables beyond the control of Lincoln Electric affect the results obtained in applying these types of fabrication methods and service requirements.

Subject to Change — This information is accurate to the best of our knowledge at the time of printing. Please refer to www.lincolnelectric.com for any updated information.



THE LINCOLN ELECTRIC COMPANY

22801 St. Clair Ave., Cleveland, OH 44117-1199 • 216.481.8100 • www.lincolnelectric.com

Free Manuals Download Website

<http://myh66.com>

<http://usermanuals.us>

<http://www.somanuals.com>

<http://www.4manuals.cc>

<http://www.manual-lib.com>

<http://www.404manual.com>

<http://www.luxmanual.com>

<http://aubethermostatmanual.com>

Golf course search by state

<http://golfingnear.com>

Email search by domain

<http://emailbydomain.com>

Auto manuals search

<http://auto.somanuals.com>

TV manuals search

<http://tv.somanuals.com>