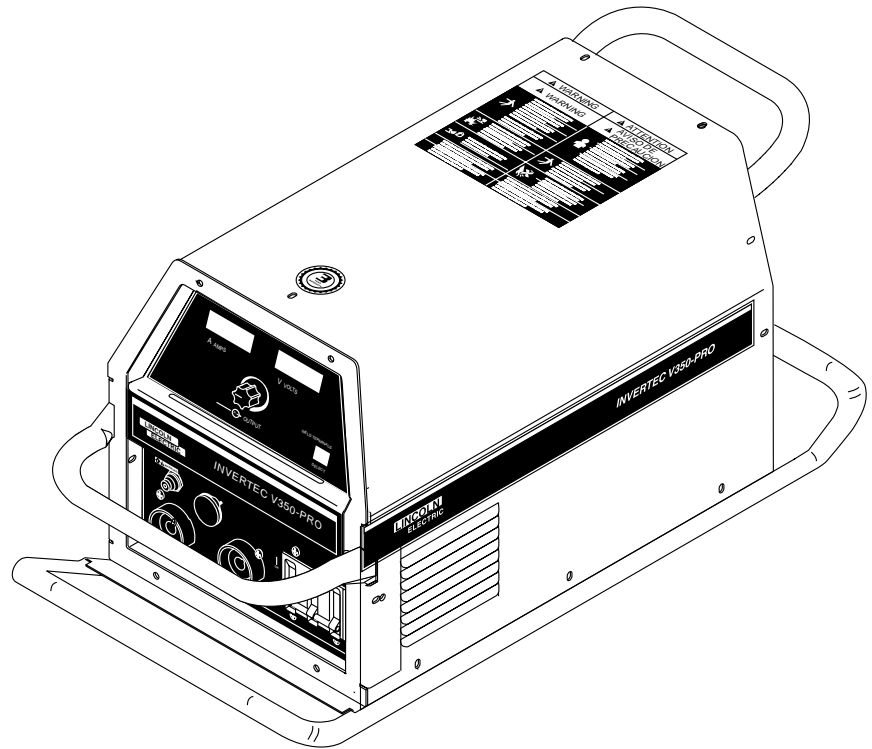


# INVERTEC V350-PRO

For use with machine code numbers 10651, 10669

## Safety Depends on You

Lincoln arc welding and cutting equipment is designed and built with safety in mind. However, your overall safety can be increased by proper installation . . . and thoughtful operation on your part. **DO NOT INSTALL, OPERATE OR REPAIR THIS EQUIPMENT WITHOUT READING THIS MANUAL AND THE SAFETY PRECAUTIONS CONTAINED THROUGHOUT.** And, most importantly, think before you act and be careful.



## SERVICE MANUAL



Copyright © 2000 Lincoln Global Inc.

• World's Leader in Welding and Cutting Products •

• Sales and Service through Subsidiaries and Distributors Worldwide •

Cleveland, Ohio 44117-1199 U.S.A. TEL: 216.481.8100 FAX: 216.486.1751 WEB SITE: [www.lincolnelectric.com](http://www.lincolnelectric.com)

Download from [www.Somanuals.com](http://www.Somanuals.com). All Manuals Search And Download.

**⚠ WARNING**

**⚠ CALIFORNIA PROPOSITION 65 WARNINGS ⚠**

Diesel engine exhaust and some of its constituents are known to the State of California to cause cancer, birth defects, and other reproductive harm.

The Above For Diesel Engines

The engine exhaust from this product contains chemicals known to the State of California to cause cancer, birth defects, or other reproductive harm.

The Above For Gasoline Engines

**ARC WELDING CAN BE HAZARDOUS. PROTECT YOURSELF AND OTHERS FROM POSSIBLE SERIOUS INJURY OR DEATH. KEEP CHILDREN AWAY. PACEMAKER WEARERS SHOULD CONSULT WITH THEIR DOCTOR BEFORE OPERATING.**

Read and understand the following safety highlights. For additional safety information, it is strongly recommended that you purchase a copy of "Safety in Welding & Cutting - ANSI Standard Z49.1" from the American Welding Society, P.O. Box 351040, Miami, Florida 33135 or CSA Standard W117.2-1974. A Free copy of "Arc Welding Safety" booklet E205 is available from the Lincoln Electric Company, 22801 St. Clair Avenue, Cleveland, Ohio 44117-1199.

**BE SURE THAT ALL INSTALLATION, OPERATION, MAINTENANCE AND REPAIR PROCEDURES ARE PERFORMED ONLY BY QUALIFIED INDIVIDUALS.**



**FOR ENGINE powered equipment.**

1.a. Turn the engine off before troubleshooting and maintenance work unless the maintenance work requires it to be running.



1.b. Operate engines in open, well-ventilated areas or vent the engine exhaust fumes outdoors.



1.c. Do not add the fuel near an open flame welding arc or when the engine is running. Stop the engine and allow it to cool before refueling to prevent spilled fuel from vaporizing on contact with hot engine parts and igniting. Do not spill fuel when filling tank. If fuel is spilled, wipe it up and do not start engine until fumes have been eliminated.

1.d. Keep all equipment safety guards, covers and devices in position and in good repair. Keep hands, hair, clothing and tools away from V-belts, gears, fans and all other moving parts when starting, operating or repairing equipment.

1.e. In some cases it may be necessary to remove safety guards to perform required maintenance. Remove guards only when necessary and replace them when the maintenance requiring their removal is complete. Always use the greatest care when working near moving parts.



1.f. Do not put your hands near the engine fan. Do not attempt to override the governor or idler by pushing on the throttle control rods while the engine is running.

1.g. To prevent accidentally starting gasoline engines while turning the engine or welding generator during maintenance work, disconnect the spark plug wires, distributor cap or magneto wire as appropriate.



1.h. To avoid scalding, do not remove the radiator pressure cap when the engine is hot.



**ELECTRIC AND MAGNETIC FIELDS may be dangerous**

2.a. Electric current flowing through any conductor causes localized Electric and Magnetic Fields (EMF). Welding current creates EMF fields around welding cables and welding machines

2.b. EMF fields may interfere with some pacemakers, and welders having a pacemaker should consult their physician before welding.

2.c. Exposure to EMF fields in welding may have other health effects which are now not known.

2.d. All welders should use the following procedures in order to minimize exposure to EMF fields from the welding circuit:

2.d.1. Route the electrode and work cables together - Secure them with tape when possible.

2.d.2. Never coil the electrode lead around your body.

2.d.3. Do not place your body between the electrode and work cables. If the electrode cable is on your right side, the work cable should also be on your right side.

2.d.4. Connect the work cable to the workpiece as close as possible to the area being welded.

2.d.5. Do not work next to welding power source.

Mar '95



### ELECTRIC SHOCK can kill.

3.a. The electrode and work (or ground) circuits are electrically "hot" when the welder is on. Do not touch these "hot" parts with your bare skin or wet clothing. Wear dry, hole-free gloves to insulate hands.

3.b. Insulate yourself from work and ground using dry insulation. Make certain the insulation is large enough to cover your full area of physical contact with work and ground.

**In addition to the normal safety precautions, if welding must be performed under electrically hazardous conditions (in damp locations or while wearing wet clothing; on metal structures such as floors, gratings or scaffolds; when in cramped positions such as sitting, kneeling or lying, if there is a high risk of unavoidable or accidental contact with the workpiece or ground) use the following equipment:**

- Semiautomatic DC Constant Voltage (Wire) Welder.
- DC Manual (Stick) Welder.
- AC Welder with Reduced Voltage Control.

3.c. In semiautomatic or automatic wire welding, the electrode, electrode reel, welding head, nozzle or semiautomatic welding gun are also electrically "hot".

3.d. Always be sure the work cable makes a good electrical connection with the metal being welded. The connection should be as close as possible to the area being welded.

3.e. Ground the work or metal to be welded to a good electrical (earth) ground.

3.f. Maintain the electrode holder, work clamp, welding cable and welding machine in good, safe operating condition. Replace damaged insulation.

3.g. Never dip the electrode in water for cooling.

3.h. Never simultaneously touch electrically "hot" parts of electrode holders connected to two welders because voltage between the two can be the total of the open circuit voltage of both welders.

3.i. When working above floor level, use a safety belt to protect yourself from a fall should you get a shock.

3.j. Also see Items 6.c. and 8.



### ARC RAYS can burn.

4.a. Use a shield with the proper filter and cover plates to protect your eyes from sparks and the rays of the arc when welding or observing open arc welding. Headshield and filter lens should conform to ANSI Z87. 1 standards.

4.b. Use suitable clothing made from durable flame-resistant material to protect your skin and that of your helpers from the arc rays.

4.c. Protect other nearby personnel with suitable, non-flammable screening and/or warn them not to watch the arc nor expose themselves to the arc rays or to hot spatter or metal.



### FUMES AND GASES can be dangerous.

5.a. Welding may produce fumes and gases hazardous to health. Avoid breathing these fumes and gases. When welding, keep your head out of the fume. Use enough ventilation and/or exhaust at the arc to keep fumes and gases away from the breathing zone. **When welding with electrodes which require special ventilation such as stainless or hard facing (see instructions on container or MSDS) or on lead or cadmium plated steel and other metals or coatings which produce highly toxic fumes, keep exposure as low as possible and below Threshold Limit Values (TLV) using local exhaust or mechanical ventilation. In confined spaces or in some circumstances, outdoors, a respirator may be required. Additional precautions are also required when welding on galvanized steel.**

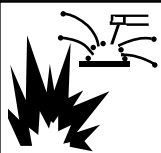
5.b. Do not weld in locations near chlorinated hydrocarbon vapors coming from degreasing, cleaning or spraying operations. The heat and rays of the arc can react with solvent vapors to form phosgene, a highly toxic gas, and other irritating products.

5.c. Shielding gases used for arc welding can displace air and cause injury or death. Always use enough ventilation, especially in confined areas, to insure breathing air is safe.

5.d. Read and understand the manufacturer's instructions for this equipment and the consumables to be used, including the material safety data sheet (MSDS) and follow your employer's safety practices. MSDS forms are available from your welding distributor or from the manufacturer.

5.e. Also see item 1.b.

Mar '95



## WELDING SPARKS can cause fire or explosion.

6.a. Remove fire hazards from the welding area.

If this is not possible, cover them to prevent the welding sparks from starting a fire.

Remember that welding sparks and hot materials from welding can easily go through small cracks and openings to adjacent areas. Avoid welding near hydraulic lines. Have a fire extinguisher readily available.

6.b. Where compressed gases are to be used at the job site, special precautions should be used to prevent hazardous situations. Refer to "Safety in Welding and Cutting" (ANSI Standard Z49.1) and the operating information for the equipment being used.

6.c. When not welding, make certain no part of the electrode circuit is touching the work or ground. Accidental contact can cause overheating and create a fire hazard.

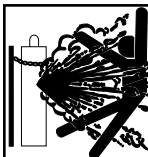
6.d. Do not heat, cut or weld tanks, drums or containers until the proper steps have been taken to insure that such procedures will not cause flammable or toxic vapors from substances inside. They can cause an explosion even though they have been "cleaned". For information, purchase "Recommended Safe Practices for the Preparation for Welding and Cutting of Containers and Piping That Have Held Hazardous Substances", AWS F4.1 from the American Welding Society (see address above).

6.e. Vent hollow castings or containers before heating, cutting or welding. They may explode.

6.f. Sparks and spatter are thrown from the welding arc. Wear oil free protective garments such as leather gloves, heavy shirt, cuffless trousers, high shoes and a cap over your hair. Wear ear plugs when welding out of position or in confined places. Always wear safety glasses with side shields when in a welding area.

6.g. Connect the work cable to the work as close to the welding area as practical. Work cables connected to the building framework or other locations away from the welding area increase the possibility of the welding current passing through lifting chains, crane cables or other alternate circuits. This can create fire hazards or overheat lifting chains or cables until they fail.

6.h. Also see item 1.c.



## CYLINDER may explode if damaged.

7.a. Use only compressed gas cylinders containing the correct shielding gas for the process used and properly operating regulators designed for the gas and pressure used. All hoses, fittings, etc. should be suitable for the application and maintained in good condition.

7.b. Always keep cylinders in an upright position securely chained to an undercarriage or fixed support.

7.c. Cylinders should be located:

- Away from areas where they may be struck or subjected to physical damage.

- A safe distance from arc welding or cutting operations and any other source of heat, sparks, or flame.

7.d. Never allow the electrode, electrode holder or any other electrically "hot" parts to touch a cylinder.

7.e. Keep your head and face away from the cylinder valve outlet when opening the cylinder valve.

7.f. Valve protection caps should always be in place and hand tight except when the cylinder is in use or connected for use.

7.g. Read and follow the instructions on compressed gas cylinders, associated equipment, and CGA publication P-1, "Precautions for Safe Handling of Compressed Gases in Cylinders," available from the Compressed Gas Association 1235 Jefferson Davis Highway, Arlington, VA 22202.



## FOR ELECTRICALLY powered equipment.

8.a. Turn off input power using the disconnect switch at the fuse box before working on the equipment.

8.b. Install equipment in accordance with the U.S. National Electrical Code, all local codes and the manufacturer's recommendations.

8.c. Ground the equipment in accordance with the U.S. National Electrical Code and the manufacturer's recommendations.

Mar '95

V350-PRO

**LINCOLN**  
**ELECTRIC**

## PRÉCAUTIONS DE SÛRETÉ

Pour votre propre protection lire et observer toutes les instructions et les précautions de sûreté spécifiques qui paraissent dans ce manuel aussi bien que les précautions de sûreté générales suivantes:

### Sûreté Pour Soudage A L'Arc

1. Protégez-vous contre la secousse électrique:
  - a. Les circuits à l'électrode et à la pièce sont sous tension quand la machine à souder est en marche. Eviter toujours tout contact entre les parties sous tension et la peau nue ou les vêtements mouillés. Porter des gants secs et sans trous pour isoler les mains.
  - b. Faire très attention de bien s'isoler de la masse quand on soude dans des endroits humides, ou sur un plancher métallique ou des grilles métalliques, principalement dans les positions assis ou couché pour lesquelles une grande partie du corps peut être en contact avec la masse.
  - c. Maintenir le porte-électrode, la pince de masse, le câble de soudage et la machine à souder en bon et sûr état de fonctionnement.
  - d. Ne jamais plonger le porte-électrode dans l'eau pour le refroidir.
  - e. Ne jamais toucher simultanément les parties sous tension des porte-électrodes connectés à deux machines à souder parce que la tension entre les deux pinces peut être le total de la tension à vide des deux machines.
  - f. Si on utilise la machine à souder comme une source de courant pour soudage semi-automatique, ces précautions pour le porte-électrode s'appliquent aussi au pistolet de soudage.
2. Dans le cas de travail au dessus du niveau du sol, se protéger contre les chutes dans le cas où on recoit un choc. Ne jamais enrouler le câble-électrode autour de n'importe quelle partie du corps.
3. Un coup d'arc peut être plus sévère qu'un coup de soliel, donc:
  - a. Utiliser un bon masque avec un verre filtrant approprié ainsi qu'un verre blanc afin de se protéger les yeux du rayonnement de l'arc et des projections quand on soude ou quand on regarde l'arc.
  - b. Porter des vêtements convenables afin de protéger la peau de soudeur et des aides contre le rayonnement de l'arc.
  - c. Protéger l'autre personnel travaillant à proximité au soudage à l'aide d'écrans appropriés et non-inflammables.
4. Des gouttes de laitier en fusion sont émises de l'arc de soudage. Se protéger avec des vêtements de protection libres de l'huile, tels que les gants en cuir, chemise épaisse, pantalons sans revers, et chaussures montantes.
5. Toujours porter des lunettes de sécurité dans la zone de soudage. Utiliser des lunettes avec écrans latéraux dans les zones où l'on pique le laitier.

6. Eloigner les matériaux inflammables ou les recouvrir afin de prévenir tout risque d'incendie dû aux étincelles.
7. Quand on ne soude pas, poser la pince à un endroit isolé de la masse. Un court-circuit accidentel peut provoquer un échauffement et un risque d'incendie.
8. S'assurer que la masse est connectée le plus près possible de la zone de travail qu'il est pratique de le faire. Si on place la masse sur la charpente de la construction ou d'autres endroits éloignés de la zone de travail, on augmente le risque de voir passer le courant de soudage par les chaînes de levage, câbles de grue, ou autres circuits. Cela peut provoquer des risques d'incendie ou d'échauffement des chaînes et des câbles jusqu'à ce qu'ils se rompent.
9. Assurer une ventilation suffisante dans la zone de soudage. Ceci est particulièrement important pour le soudage de tôles galvanisées plombées, ou cadmiées ou tout autre métal qui produit des fumées toxiques.
10. Ne pas souder en présence de vapeurs de chlore provenant d'opérations de dégraissage, nettoyage ou pistolage. La chaleur ou les rayons de l'arc peuvent réagir avec les vapeurs du solvant pour produire du phosgène (gas fortement toxique) ou autres produits irritants.
11. Pour obtenir de plus amples renseignements sur la sûreté, voir le code "Code for safety in welding and cutting" CSA Standard W 117.2-1974.

## PRÉCAUTIONS DE SÛRETÉ POUR LES MACHINES À SOUDER À TRANSFORMATEUR ET À REDRESSEUR

1. Relier à la terre le châssis du poste conformément au code de l'électricité et aux recommandations du fabricant. Le dispositif de montage ou la pièce à souder doit être branché à une bonne mise à la terre.
2. Autant que possible, l'installation et l'entretien du poste seront effectués par un électricien qualifié.
3. Avant de faire des travaux à l'intérieur de poste, la débrancher à l'interrupteur à la boîte de fusibles.
4. Garder tous les couvercles et dispositifs de sûreté à leur place.

V350-PRO



**RETURN TO MAIN INDEX**

	Page
Safety .....	i-iv
Installation .....	Section A
Operation .....	Section B
Accessories .....	Section C
Maintenance .....	Section D
Theory of Operation .....	Section E
Troubleshooting and Repair .....	Section F
How to Use Troubleshooting Guide .....	F-2
Troubleshooting Guide .....	F-4
Test Procedures .....	F-15
Replacement Procedures .....	F-51
Electrical Diagrams .....	Section G
Parts Manual .....	P-369 Series

**V350-PRO**



# TABLE OF CONTENTS - INSTALLATION SECTION -

---

## Installation

---

Technical Specifications .....	A-2
Input Grounding Connections .....	A-3
Power Cord Connection .....	A-3
Single Phase Input .....	A-3
Three Phase Input .....	A-3
Parallel Operation .....	A-3
Quick Disconnect Plugs .....	A-3

Return to Master TOC

Return to Master TOC

Return to Master TOC

Return to Master TOC

V350-PRO



## TECHNICAL SPECIFICATIONS - INVERTEC V350-PRO

### INPUT AC VOLTAGE & DC OUTPUT

Product Name	Ordering Information	Input AC Voltage	Rated DC Output Amps/Volts/Duty Cycle	Output Range (continuous)	Weight with Cord	HxWxD		
K1728-1  Invertec V350-PRO 60/50 Hz	200-230 / Factory	200-230/ 380-415/ 460-480/ 575	350A / 34V / 60%	AMPS 5-425	Factory 82.5lbs (37.4 kg)	14.7"x12.5"x 27.8"* (373x318x 706*)mm		
			275A / 31V / 100%					
	K1728-2 Construction	3 Phase 60/50 Hz	350A / 34V / 60%				Construction 81.5lbs (36.9 kg)	* Includes handles
			K1728-3 "CE"					

\* Overall Length Including Handle, 27.8" (706mm) without handle.

### V350-PRO INPUT CURRENT

#### Recommended Fuse Sizes Based On The U.S. National Electrical Code And Maximum Machine Outputs

Input 50/60 Hz		Output		Recommended		Notes
Voltage	Phases	275Amps@ 31Volts(100%)	350Amps@ 34Volts(60%)	Line Cord	Size Fuse Size	
208	1	70	94	2	125A	Note 1
230	1	62	85	4	125A	Note 1
415	1	38	54	6	80A	Note 1
460	1	34	42	8	70A	
575	1	27	37	8	50A	
200	3	37	50	8	80A	Note 1
208	3	36	50	6	80A	Note 1
230	3	31	42	8	70A	
380	3	21	28	8	50A	
400	3	20	27	8	50A	
415	3	19	26	8	50A	
460	3	17	23	8	50A	
575	3	14	18	8	35A	

1. When operating on these inputs, the line cord should be changed to an input conductor of 6 AWG or larger.

### OUTPUT CABLES, CONNECTIONS AND LIMITATIONS

Select the output cable size based upon the following chart.

Cable sizes for Combined Length of Electrode and Work Cable (Copper) 75C rated:

DUTY CYCLE	CURRENT	LENGTH UP 61m (200 FT)	61-76m (200-250 FT)
100%	275	1/0	1/0
60%	350	1/0	2/0

V350-PRO





# INSTALLATION

## INSTALLATION

### ⚠ WARNING



**ELECTRIC SHOCK** can kill.

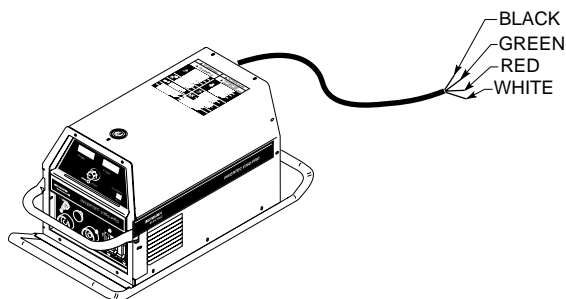
- **TURN THE INPUT POWER OFF AT THE DISCONNECT SWITCH BEFORE ATTEMPTING TO CONNECT OR DISCONNECT INPUT POWER LINES, OUTPUT CABLES, OR CONTROL CABLES.**
- **Only qualified personnel should perform this installation.**
- **Connect the green lead of the power cord to ground per U.S. National Electrical Code.**

### INPUT AND GROUNDING CONNECTIONS

1. Only a qualified electrician should connect the Invertec V350-PRO. Installation should be made in accordance with the U.S. National Electrical Code, all local codes and the information detailed below.
2. When received directly from the factory, multiple voltage machines are internally connected for 460VAC. If 460VAC is the desired input, then the machine may be connected to the power system without any setup required inside the machine.
3. Initial 200VAC - 415VAC and 575VAC operation will require an Input voltage panel setup.
  - Open the access panel on the rear of the machine.
  - For 200 or 230: Position the large switch to 200-230.  
For higher voltages: Position the large switch to 380-575.
  - Move the "A" lead to the appropriate terminal.

### POWER CORD CONNECTION

A 10 ft. (3.0m) power cord is provided and wired into the machine. Follow the power cord connection instructions. Incorrect connection may result in equipment damage.



### Single Phase Input

1. Connect green lead to ground per U.S. National Electrical Code.
2. Connect black and white leads to power.
3. Wrap red lead with tape to provide 600V insulation.

### Three Phase Input

1. Connect green lead to ground per U.S. National Electric Code.
2. Connect black, red and white leads to power. Install in accordance with all local and national electric codes.

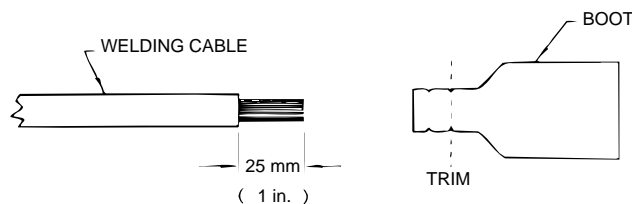
### PARALLEL OPERATION

The V350-Pro are operable in parallel in CC mode. For best results, the currents of each machine should be reasonably well shared. As an example, with two machines set up in parallel for a 400 amp procedure, each machine should be set to deliver approximately 200 amps, not 300 amps from one and 100 amps from the other. This will minimize nuisance shutdown conditions. In general, more than two machines in parallel will not be effective due to the voltage requirements of procedures in that power range. To set machine outputs, start with output control pots and arc control pots in identical positions. Use the output control pots to balance the currents and maintain the desired voltage or current. The arc control pots should be kept identical on the two machines.

### QUICK DISCONNECT PLUGS

A quick disconnect system is used for the welding cable connections. The welding plug included with the machine is designed to accept a welding cable size of 1/0 to 2/0.

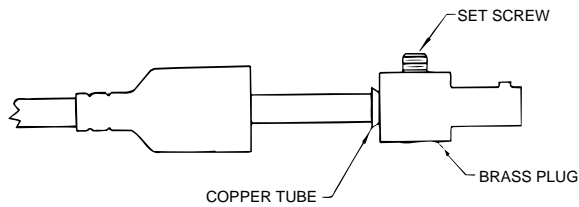
1. Remove 25mm (1 in.) of welding cable insulation.
2. Slide rubber boot onto cable end. The boot end may be trimmed to match the cable diameter. Soap or other lubricant will help to slide the boot over the cable.



3. Slide the copper tube into the brass plug.
4. Insert cable into copper tube.

V350-PRO

**LINCOLN**<sup>®</sup>  
**ELECTRIC**



5. Tighten set screw to collapse copper tube. Screw must apply pressure against welding cable. The top of the set screw will be well below the surface of the brass plug after tightening.
6. Slide rubber boot over brass plug. The rubber boot must be positioned to completely cover all electrical surfaces after the plug is locked into the receptacle.

# TABLE OF CONTENTS - OPERATION SECTION -

---

Operation.....	Section B
Operating Instructions .....	B-2
Product Description .....	B-2
Duty Cycle .....	B-2
Operational Features and Controls .....	B-2
Upper Control Panel .....	B-2
Amps Meter .....	B-2
Volt Meter .....	B-2
Output Control.....	B-2
Weld Terminals .....	B-2
Thermal.....	B-3
Control Remote .....	B-3
Hidden Middle Control Panel .....	B-3
Weld Mode Select .....	B-3
CC-Stick Soft.....	B-3
CC-Stick Crisp.....	B-3
TIG GTAW .....	B-4
CV-Wire.....	B-4
CV-Flux Cored .....	B-4
Hot Start & Arc Control .....	B-4
Lower Case Front .....	B-4
CV Modes.....	B-4
TIG Mode .....	B-5
CC-Stick Modes.....	B-5
Types of Remote Output Control.....	B-5
Types of Remote Weld Terminal Control .....	B-5
Design Features and Advantages.....	B-5
Auxiliary Power .....	B-6
Limitations.....	B-6
Recommended Processes.....	B-6

Return to Master TOC

Return to Master TOC

Return to Master TOC

Return to Master TOC

**V350-PRO**



## OPERATING INSTRUCTIONS

### ⚠ WARNING



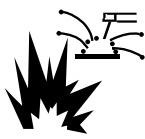
**ELECTRIC SHOCK can kill.**

- Do not touch electrically live parts or electrode with skin or wet clothing.
- Insulate yourself from work and ground.
- Always wear dry insulating gloves.



**FUMES AND GASES can be dangerous.**

- Keep your head out of fumes.
- Use ventilation or exhaust to remove fumes from breathing zone.



**WELDING SPARKS can cause fire or explosion.**

- Keep flammable material away.
- Do not weld on closed containers.



**ARC RAYS can burn eyes and skin.**

- Wear eye, ear and body protection.

See additional warning information at front of this operators manual.

## GENERAL DESCRIPTION

### PRODUCT DESCRIPTION

The Invertec V350-Pro offers multi mode CV and CC DC welding and is rated 350 amps, 34 volts at a 60% duty cycle. The V350-Pro is available in European and Rest of the World (North America and Export) versions. Differences between these versions are input ratings and CE noise filtering. In the different configurations, the V350-Pro is available in either a construction version (no wire feeder connection and auxiliary power) and a factory version (includes wire feeder connection and related power).

### DUTY CYCLE

The V350-Pro is rated at 350 amps, 60% duty cycle (based on a 10 minute cycle). It is also rated at 275 amps, 100% duty cycle.

## OPERATIONAL FEATURES and CONTROLS:

### UPPER CONTROL PANEL

#### 1. AMPS Meter

- Prior to STICK or TIG operation (current flow), the meter displays preset current value (either 2 amps or +/- 3% (e.g. 3 amps on 100), whichever is greater).
- Prior to CV operation, the meter displays four dashes indicating non-presettable AMPS.
- During welding, this meter displays actual average amps.
- After welding, the meter holds the actual current value for 5 seconds. Output adjustment while in the "hold" period results in the "prior to operation" characteristics stated above. The displays blink indicating that the machine is in the "Hold" period.

#### 2. VOLT METER

- Prior to CV operation (current flow), the meter displays desired preset voltage value (+/- .5V).
- Prior to STICK or TIG operation, the meter displays the Open Circuit Voltage of the Power Source or four dashes if the output has not been turned on.
- During welding, this meter displays actual average volts.
- After welding, the meter holds the actual voltage value for 5 seconds. The displays blink indicating that the machine is in the "Hold" period.
- Output adjustment while in the "hold" period results in the "prior to operation" characteristics stated above.

#### 3. OUTPUT CONTROL

- Output control is conducted via a single turn potentiometer.
- Adjustment is indicated by the meters as stated above.
- When in TIG modes, this control sets the maximum welding current. Full depression of a foot or hand Amptrol results in the preset level of current.

#### 4. WELD TERMINALS-REMOTE , ON

- Two status lights indicate the location of trigger control as determined by the "WELD TERMINALS" push button.
- If trigger control is local "weld terminals on", the ON display will be lit.
- If trigger control is remote "weld terminals remotely controlled", the REMOTE display will be lit.
- The unit will power up in "pre-determined preferred" trigger modes.

For the **Construction** version all modes ON.

For the **Factory** version

STICK = ON

TIG and CV = ON or REMOTE depending if remote output controls are connected to the machine.

V350-PRO



# OPERATION

For both the **Construction** and **Factory** versions, these trigger modes can be over-riden (switched) with the WELD TERMINALS push button. When changed, the unit will power up in the configuration it was in when it was last powered down.

## 5. THERMAL

- This status light indicates when the power source has been driven into thermal overload. If the output terminals were "ON", the "ON" light will blink indicating that the output will be turned back on once the unit cools down to an acceptable temperature level. If the unit was operating in the "REMOTE" mode, the trigger will need to be opened before or after the thermal has cleared and closed after the machine has cooled down to an acceptable temperature to establish output.

## 6. CONTROL-REMOTE , LOCAL

- Two status lights indicate the location of output control as pre-determined by the power sources auto-configure system.
- The LOCAL display will be lit when control is at the power source.
- The REMOTE display will be lit when a remote pot/control is detected.

These Output Control configurations can be overridden (switched) with the CONTROL push button. When changed, the unit will power up in the configuration it was in when it was last powered down.

## Hidden Middle Control Panel – Process Set Up Panel

The middle control panel is removable to allow for upgrades (see Field Installed Options/Accessories). Additionally, this panel is hidden by an access door to reduce appeared complexity and provide protection to the controls.

## 7. WELD MODE SELECT

The Mode Control button selects the following welding modes desired.

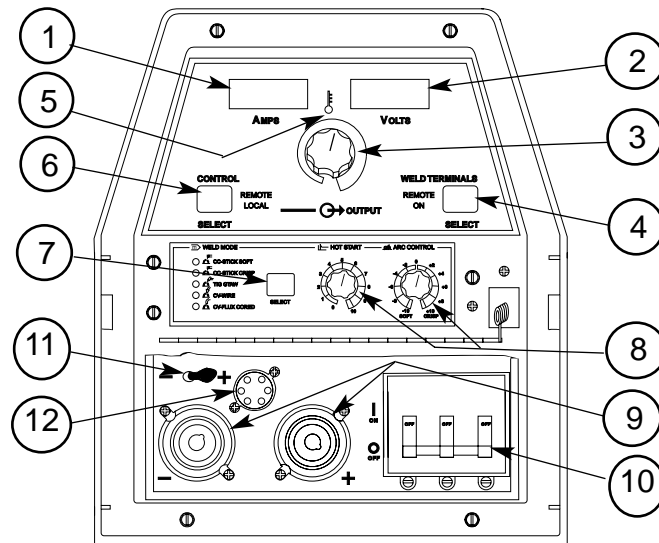
**CC-STICK SOFT:** The Stick Soft process features continuous control ranging from 5 to 425 amps. This mode was intended for most SMAW applications, and Arc Gouging.

- Arc Gouging: Setting the output of the Stick Soft mode to 425 amps will enable the arc-gouging mode. The actual output current will depend on the size of carbon used. The recommended maximum size carbon is 5/16".
- The Hot Start control regulates the starting current at arc initiation. Hot Start can be adjusted from minimum (0), with no additional current added at arc start, to maximum (10), with double the preset current or 425 amps (max of machine) added for the first second after arc initiation.
- The Arc Control regulates the Arc Force to adjust the short circuit current. The minimum setting (-10) will produce a "soft" arc and will produce minimal spatter. The maximum setting (+10) will produce a "crisp" arc and will minimize electrode sticking.

**CC-STICK CRISP:** The Stick Crisp mode features continuous control from 5 to 425 amps. This mode was intended primarily for pipe welding applications.

- The Hot Start control regulates the starting current at arc initiation. Hot Start can adjust starting current up or down by 25% of the preset value. The recommended setting for Hot Start is 5 where the initial current is equal to the preset current.

Figure B.1 CASEFRONT



V350-PRO



Return to Section TOC

Return to Master TOC

- The Arc Control regulates the relative Slope of the process. Slope dynamically controls the force the arc has to penetrate an open root. At the minimum setting, Arc Control is very soft and is similar to the Stick Soft mode. At the maximum setting, the slope is reduced, the OCV is reduced, and the operator has full control off the arc force required to penetrate an open root joint. For vertical down, open root pipe welding applications, the recommended setting is between 8 and 10.
- During welding, a boost circuit increases the available voltage to minimize pop outs. The boost circuit is independent of the OCV and only operates when an arc is lit.

**TIG GTAW:** The TIG mode features continuous control from 5 to 425 amps. The TIG mode can be run in either the TIG touch start or high frequency assisted start mode.

- The Hot Start control selects the starting mode desired. A setting of less than 5, the TIG lift start mode is selected. The OCV is controlled below 10v and the short circuit "TIG touch" current is maintained at 25 amps independent of the preset current. When the tungsten is lifted, an arc is initiated and the output is regulated at the preset value. Hot start settings between 0 and 5 regulate the arc initiation current. A setting of 5 results in the most positive arc initiation. A setting of 0 reduces hot start.
- Hot Start settings between 5 and 10, select high frequency assisted starting TIG mode. In this range, the OCV of the machine is controlled between 50 and 70 volts. If using the Lincoln K930-1 TIG Module, set the Hot start to 10 for maximum OCV.
- The Arc Control is not used in the TIG mode.

**CV-WIRE:** The CV-WIRE mode features continuous control from 10 to 40 volts. The mode was intended for most GMAW, FCAW, and MCAW applications.

- The Hot Start control is not used in the CV-WIRE mode.
- The Arc Control regulates pinch effect. At the minimum setting (-10), minimizes pinch and results in a soft arc. Low pinch settings are preferable for welding with gas mixes containing mostly inert gases. At the maximum setting (+10), maximizes pinch effect and results in a crisp arc. High pinch settings are preferable for welding FCAW and GMAW with CO<sub>2</sub>.

**CV-FLUX CORED:** The CV-FLUX CORED mode features continuous control from 10 to 45 volts. This mode was designed for self-shielded flux cored wires that require tight voltage control.

- The Hot Start control is not used in the CV-FLUX CORED mode.
- The Arc Control regulates pinch effect. At the minimum setting (-10), minimizes pinch and results in a soft arc. At the maximum setting (+10), maximizes pinch effect and results in a crisp arc. Most self-shielded wires work well at an Arc Control setting of 5.

**8. HOT START and ARC CONTROL** features have different functions depending on the welding Mode that is active. Each feature is described under the welding mode heading. **(See Item 7 for specified Mode Operation)**

### LOWER CASE FRONT

The output studs, line switch and remote connector are located on the lower case front.

- Both STUDS contain "Twist-Mate" connector inserts.
  - The Negative stud is configured to accept the pass through gas system.
- The ON-OFF switch is a 3-phase circuit breaker rated at 100 amps per leg.
- The METER POLARITY switch is located above the output connectors. The switch provides a work connection for wire feeder voltmeters. Place the switch in the position of the electrode polarity indicated by the decal. **The switch does not change the welding polarity.**
- 6-PIN AMPENOL for remote control.

### REMOTE CONTROL of the OUTPUT CONTROL and WELD TERMINALS

The Invertec V350-Pro has auto sensing of remote output controls. If after connecting or removing a remote, the Invertec V350-Pro did not configured the way you would like the local or remote control settings can be changed by pushing the OUTPUT CONTROL or WELD TERMINAL button. (A user cannot select between the 6 and 14 pin amphenols.)

### CV modes

- The remote will default to the 14-pin amphenol remote if a remote is connected to either of the 14-pin amphenols and the 6-pin amphenol. Note: Only one of the 14-pin amphenols can have a remote control connected at a time. If no remote is connected to either of the 14-pin amphenols then the remote will default to the 6-pin amphenol if a remote is connected to it.
- If a remote control is connected to any of the amphenols the WELD TERMINAL control will default to REMOTE. If there are not any remote control devices attached the WELD TERMINAL control will default to ON.

V350-PRO



# OPERATION

## TIG mode

- The remote will default to the 6-pin amphenol if a remote control is connected to the 6-pin amphenol and one of the 14-pin amphenols. If a remote is not connected to the 6-pin amphenol then the remote will default to the 14-pin amphenols if a remote is connected to one of the 14-pin amphenols.
- If a remote control is connected to any of the amphenols the WELD TERMINAL control will default to REMOTE. If there are not any remote control devices attached the WELD TERMINAL control will default to ON.

## CC-Stick modes

- The remote will default to only the 6-pin amphenol if a remote is connected to it.
- The WELD TERMINAL control will default to ON with or without a remote connected.

## Types of Remote OUTPUT CONTROL

- The Invertec V350-Pro's Output Control can be controlled by either a potentiometer connected between 77 & 75 with the wiper connected to 76 or a 0V to 10V DC supply connected between 76 & 75. (76 needs to be positive)
- 14-Pin Amphenol lead 75 is pin G, lead 76 is pin F and lead 77 is pin E.
- 6-Pin Amphenol lead 75 is pin C, lead 76 is pin B and lead 77 is pin A.

## Potentiometer Control

- The total resistance should be between 2000 ohms (2K) and 10,000 ohms (10K)
- The machine output will be at minimum when lead 76 (wiper) is at the end of the potentiometer that is connected to 75. The machine's output will increase as the wiper of the potentiometer is moved to the end that is connected to 77. (Note: In TIG mode, moving the lead 76 (wiper) to lead 77 would produce the current that has been set by the Invertec V350-Pro's front panel Output Control.)
- Remotes of this type offered by Lincoln Electric are the K857, K812 and K870.

## Voltage Control

- The supply should be an isolated supply. (Not referenced to earth ground, any auxiliary power from the Invertec V350-Pro or the welding output) The supply should be capable of supplying at least 20mA.
- 0 volts supplied to 76 will set the Invertec V350-Pro to minimum output for the mode that has been selected while 10 volts supplied to 76 will set the Invertec V350-Pro to the maximum output for the mode. (Note: In TIG mode, 10 volts supplied to lead 76 would produce the current that has been

## Types of Remote WELD TERMINAL Control

- The Invertec V350-Pro's Weld Terminals can be controlled from each of the amphenol connectors. The circuit has a nominal OCV of 15VDC and requires a dry contact closure (less than 100 ohms) to activate the output of the Invertec V350-Pro.
- 14 Pin Amphenols the Weld Terminals are controlled from pins C (lead 2) and pin D (lead 4). Pin C is positive.
- 6 Pin Amphenol the Weld Terminals are controlled from pin D (lead 2) and pin E (lead 4). In the 6-pin amphenol pin D is positive.

## DESIGN FEATURES and ADVANTAGES

- Multiple process DC output range: 5 - 425 amps
- Pre-settable welding outputs.
- Built-in Line Voltage Compensation holds the output constant over +/- 10% input fluctuations.
- State of the art inverter technology yields high power efficiency, excellent welding performance, lightweight, and compact design.
- Utilizes microprocessor control.
- Electronic over current protection.
- Input over voltage protection
- Manual reconnect switch located on the back panel with a clear reconnect door to allow easy determination of input configuration. The reconnect door is fastened with \_turn connectors that allow quick and easy access to the reconnect area. Circuit breaker protected auxiliary.
- System Self Configure. The power source analyzes the remote controls connected to the amphenols and the desired welding mode to properly determine the location of trigger and output control.
- Modular options for easy upgrades
- Back lit Status Lights for improved error communication
- Circuit Breaker Input Switch
- F.A.N. (fan as needed). Cooling fan runs only when necessary
- Thermostatically protected.
- Designed to the IEC 974-1 Standard.
- IP23S protection rating with potted PC boards for enhanced ruggedness/reliability.
- Modular construction for easy servicing.
- Aluminum Chassis and Wraparound
- 10 Ft. Power Cord included.

V350-PRO



# OPERATION

## Auxiliary Power

- 115VAC, 42VAC and 24VAC power is available from the two 14-pin amphenols on the rear of the unit. (K1728-2 Construction model of the Invertec V350-Pro does not have the amphenols) These supplies are intended to supply power for auxiliary equipment like wire feeders and the TIG Module.
- 115VAC supply is rated at 2 amps and is protected by a 2.5 amp breaker located by the amphenol.
- 42 VAC supply is rated at 5.5 amps and is protected by a 6 amp breaker located by the amphenol.
- 24 VAC supply is rated at 5.5 amps and is protected by a 6 amp breaker located by the amphenol.

## Limitations

- The V350-Pro is not recommended for processes other than those listed.
- The V350-Pro can only be used with the recommended equipment and options.

## Recommended Processes

Properly equipped, the Invertec V350-Pro supports GMAW, FCAW, SMAW, GTAW and CAC-A processes for a variety of materials, including mild steel, stainless steel, cored wires, and aluminum.

Return to Section TOC

Return to Section TOC

Return to Section TOC

Return to Section TOC

Return to Master TOC

Return to Master TOC

Return to Master TOC

Return to Master TOC

V350-PRO





# TABLE OF CONTENTS - ACCESSORIES SECTION -

---

**Accessories.....Section C**

- Connection of Lincoln Electric Wire Feeders.....C-2 Thru C-9
  - V350-PRO/LN-25 with Optional 6 Pin K441-1 Remote.....C-2
  - V350-PRO/LN-25 with Optional 6 Pin K857 Remote .....C-3
  - LN-25 with K431 Remote Option.....C-4
  - V350-PRO/LN-25 with K867 Adapter .....C-5
  - V350-PRO/LN-7 with K480 Control Cable .....C-6
  - V350-PRO/LN-7 with K867 Adapter .....C-7
  - V350-PRO/LN-742 .....C-8
  - V350-PRO/LN-10 with K1505 Control Cable .....C-9
- Cobramatic & Tig.....C-10
- Options Accessories.....C-10

Return to Master TOC

Return to Master TOC

Return to Master TOC

Return to Master TOC

V350-PRO



# ACCESSORIES

## CONNECTION OF LINCOLN ELECTRIC WIRE FEEDERS

### CONNECTION OF THE LN-25 TO THE V350-PRO "ACROSS THE ARC" WITH OPTIONAL 6 PIN K441-1 REMOTE CONTROL.

1. Remove input power to the V350-PRO.
2. Connect the electrode cable to the output terminal of polarity required by the electrode. Connect the work lead to the other terminal. Welding cable must be sized for current and duty cycle of the application.
3. Attach the single lead from the LN-25 control box to the work using the spring clip on the end of the lead. This is only a control lead - it carries no welding current.

4. Set the voltmeter switch to the electrode polarity chosen.
5. Set "CONTROL SELECT" to "REMOTE".
6. Set the "MODE" to the "CV-WIRE" position.
7. Set "WELD TERMINALS SELECT" to the "ON"

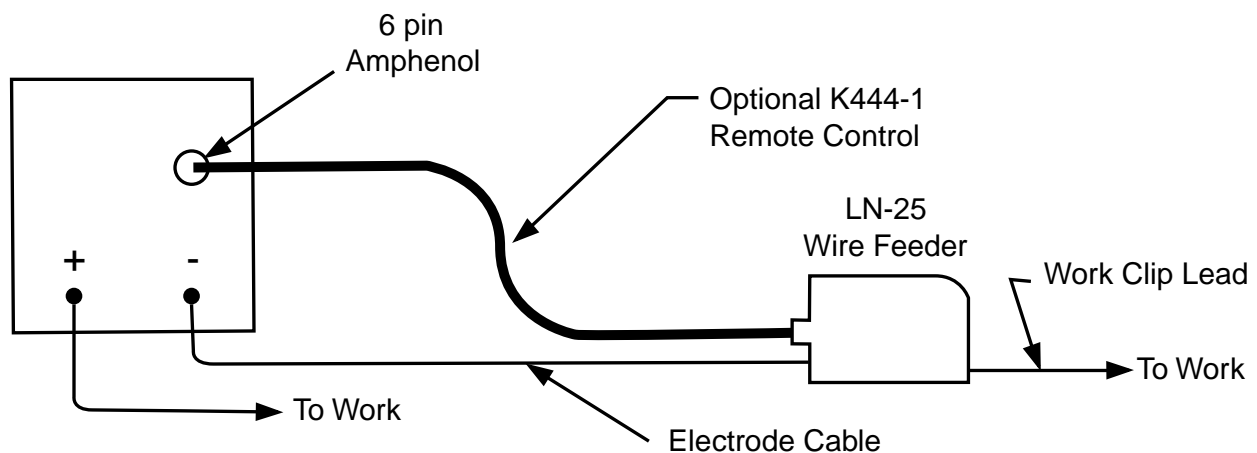
### ⚠ CAUTION

position.

**If you are using an LN-25 without an internal contactor, the electrode will be "HOT" when the V350-PRO is energized.**

8. Set the "ARC CONTROL" to the "O" position and then adjust to suit.

Figure C.1 V350-PRO/LN-25 ACROSS THE ARC CONNECTION DIAGRAM



**NOTE:** Illustration shows electrode connected for negative polarity.

V350-PRO

**LINCOLN**<sup>®</sup>  
**ELECTRIC**

# ACCESSORIES

## CONNECTION OF THE LN-25 TO THE V350-PRO "ACROSS THE ARC" WITH OPTIONAL 6 PIN K857 REMOTE CONTROL.

1. Remove input power to the V350-PRO.
2. Connect the electrode cable to the output terminal of polarity required by the electrode. Connect the work lead to the other terminal. Welding cable must be sized for current and duty cycle of the application.
3. Connect the K857 remote control to the 6-pin amphenol on the V350-PRO.
4. Attach the single lead from the LN-25 control box to the work using the spring clip on the end of the lead. This is only a control lead - it carries no welding current.

5. Set the voltmeter switch to the electrode polarity chosen.
6. Set "CONTROL SELECT" to "REMOTE".
7. Set the "MODE" to the "CV-WIRE" position.
8. Set "WELD TERMINALS SELECT" to the "ON"

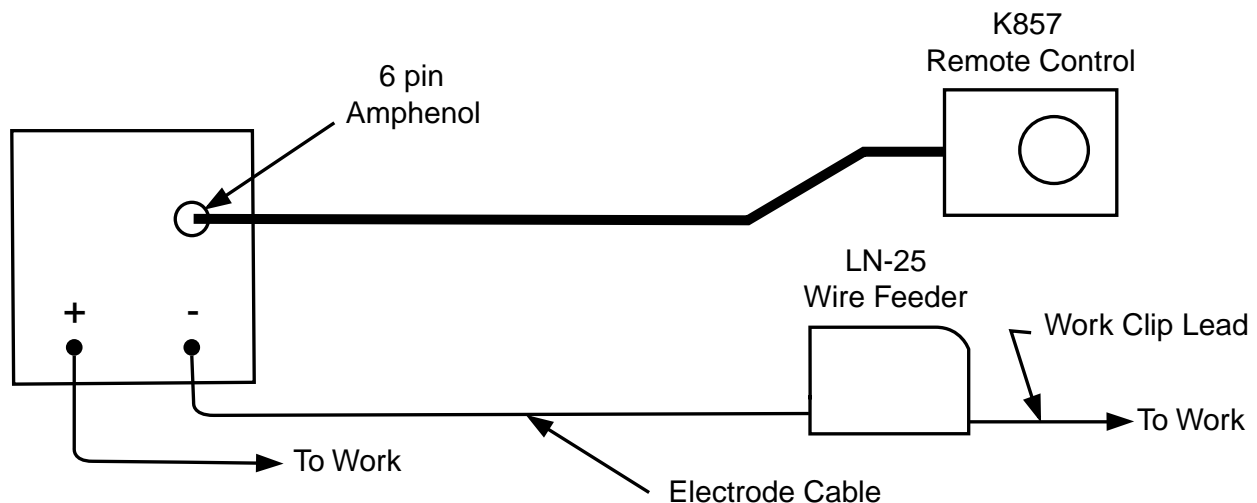
### ⚠ CAUTION

position.

**If you are using an LN-25 without an internal contactor, the electrode will be "HOT" when the V350-PRO is energized.**

9. Set the "ARC CONTROL" to the "O" position and then adjust to suit.

Figure C.2 V350-PRO/LN-25 ACROSS THE ARC CONNECTION DIAGRAM WITH K857 REMOTE CONTROL



**NOTE:** Illustration shows electrode connected for negative polarity.

V350-PRO

**LINCOLN**<sup>®</sup>  
**ELECTRIC**

# ACCESSORIES

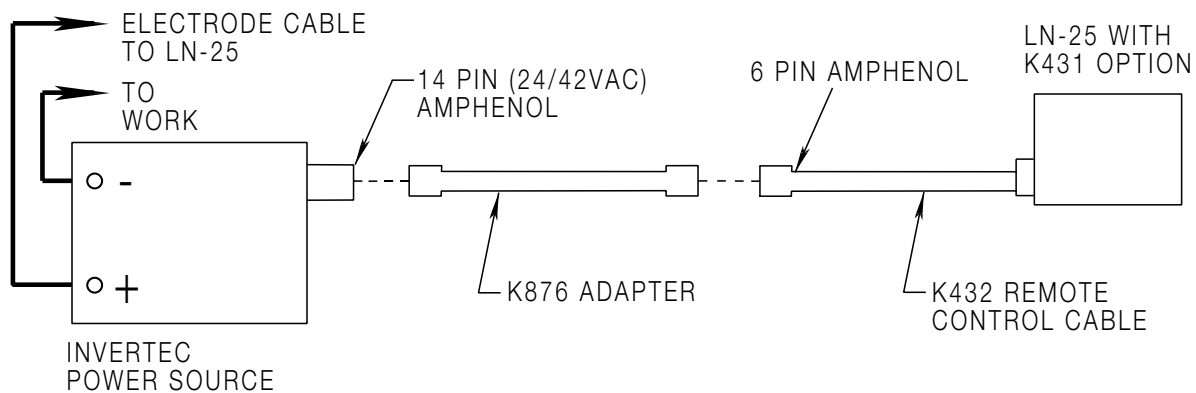
## CONNECTION OF THE LN-25 WITH K431 REMOTE OPTION TO THE V350-PRO.

**NOTE: AN LN-25 CAN ONLY BE USED WITH A FACTORY OR "CE" VERSION OF THE V350-PRO.**

1. Remove input power to the V350-PRO.
2. Connect the electrode cable to the output terminal of polarity required by the electrode. Connect the work lead to the other terminal. Welding cable must be sized for current and duty cycle of the application.
3. Attach the single lead from the LN-25 control box to the work using the spring clip on the end of the lead. This is only a control lead - it carries no welding current.
4. Set the voltmeter switch to the electrode polarity chosen.
5. Set "CONTROL SELECT" to "REMOTE".
6. Set the "MODE" to the "CV-WIRE" position.
7. Set "WELD TERMINALS SELECT" to the "REMOTE" position.
8. Set the "ARC CONTROL" to the "O" position and then adjust to suit.
9. Connect the K432 remote control cable to the LN-25.
10. Connect the K876 adapter to the K432 and to the 24/42VAC 14-pin amphenol located at the rear of the V350-PRO.
11. Adjust the wire feed speed and voltage at the LN-25.

**NOTE:** See *Figure C.4* for connection Using K867 adapter.

**Figure C.3 LN-25 with K431 Remote Option to the V350-PRO**



**NOTE:** Illustration shows electrode connected for positive polarity.

V350-PRO

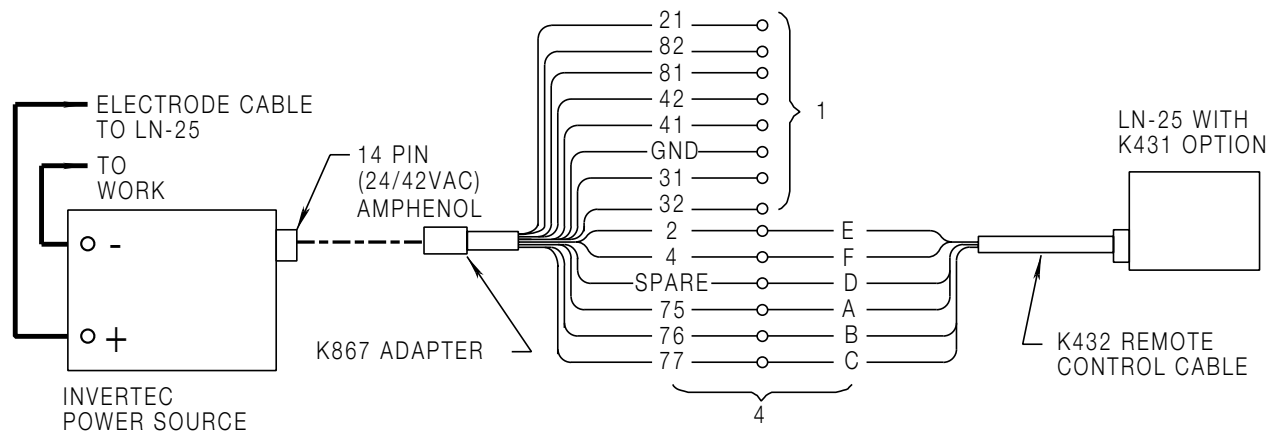
**LINCOLN**<sup>®</sup>  
**ELECTRIC**

# ACCESSORIES

## CONNECTION OF THE K867 ADAPTER FOR USE WITH LN-25 WITH K431 OPTION/V350-PRO.

1. Insulate each unused lead individually.
2. Remove 6 pin plug from K432 cable in order to connect K867 adapter.
3. Label each lead (A thru F) as they are removed from the 6 pin plug.
4. Splice leads and insulate.

Figure C.4 Connection of LN-25 to V350-PRO using K867 adapter.



V350-PRO

**LINCOLN**<sup>®</sup>  
**ELECTRIC**

## ACCESSORIES

### CONNECTION OF THE LN-7 TO THE V350-PRO USING K480 CONTROL CABLE (SEE FIGURE C.5)

**NOTE: AN LN-7 CAN ONLY BE USED WITH A FACTORY OR "CE" VERSION OF THE V350-PRO. IF YOUR LN-7 COMES EQUIPPED WITH A K291 OR K404 INPUT CABLE, REFER TO THE CONNECTION OF THE LN-7 USING K867 UNIVERSAL ADAPTER.**

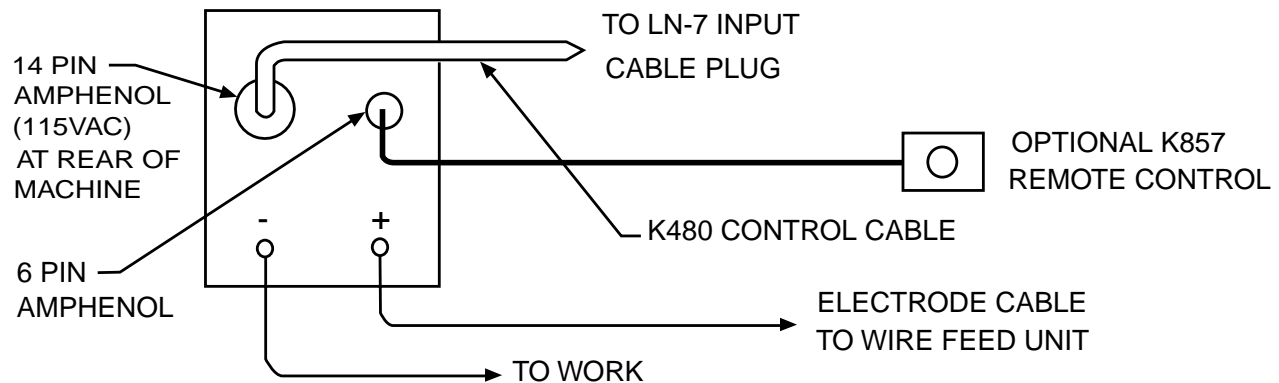
1. Remove input power to the V350-PRO.
2. Connect the electrode cable from the K480 control cable to the "+" terminal of the welder and to the LN-7 wire feeder. Connect the work cable to the "-" terminal of the welder.

**NOTE:** Figure C.5 shows the electrode connected for positive polarity. To change polarity, shut the welder off and reverse the electrode and work cables at the output terminals.

**NOTE:** Welding cable must be sized for current and duty cycle of application.

3. Connect the input cable from the K480 control cable to the (115VAC) 14 pin amphenol on the V350-PRO and the input cable plug on the LN-7.
4. Set the "VOLTMETER" switch to "+" or "-" depending on the polarity chosen.
5. Set "CONTROL SELECT" to "REMOTE".
6. Set the "MODE" to the "CV-WIRE" position.
7. Place the "WELD TERMINALS SELECT" in the "REMOTE" position.
8. Adjust wire feed speed at the LN-7 and adjust the welding voltage with the optional remote control if used.
9. Set the "ARC" control at "0" initially and adjust to suit.

Figure C.5 V350-PRO/LN-7 with K480 Control Cable Connection Diagram



V350-PRO

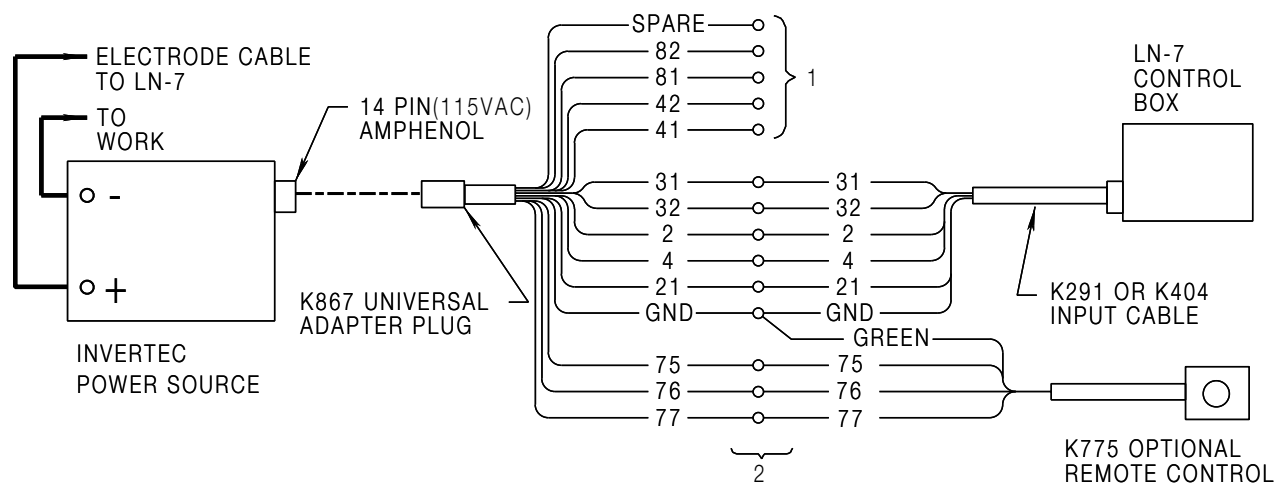
**LINCOLN**<sup>®</sup>  
**ELECTRIC**

# ACCESSORIES

## CONNECTION OF THE K867 ADAPTER FOR USE WITH THE K291 OR K404 INPUT CABLES AND LN-7.

1. Insulate each unused lead individually.
2. Splice leads and insulate.

Figure C.6 Connection of LN-7 to V350-PRO using K867 adapter.



V350-PRO

**LINCOLN**  
**ELECTRIC**

## ACCESSORIES

### CONNECTION OF THE LN-742 TO THE V350-PRO (SEE FIGURE C.7)

**NOTE: AN LN-7 CAN ONLY BE USED WITH A FACTORY OR "CE" VERSION OF THE V350-PRO.**

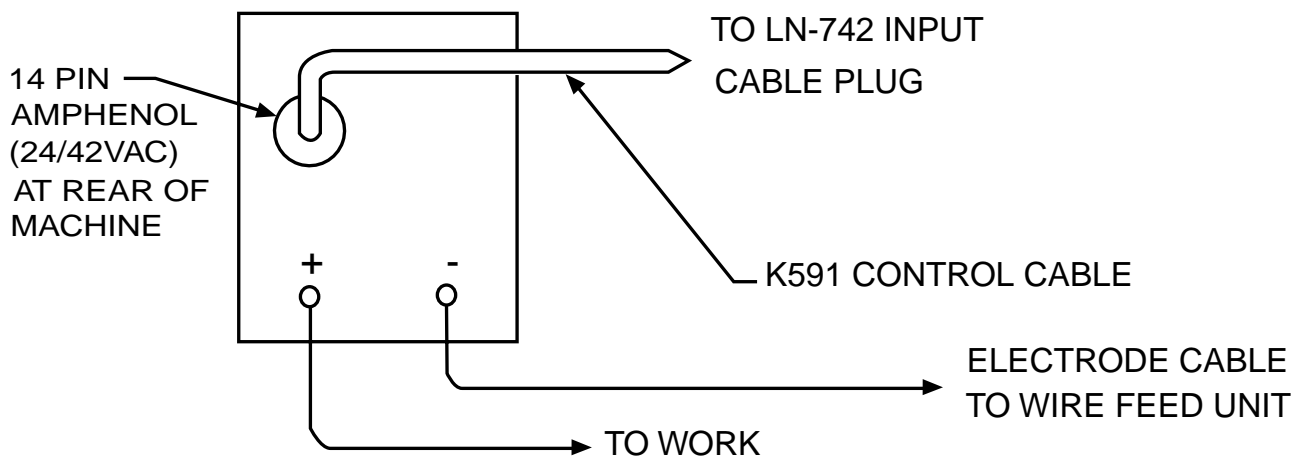
1. Remove input power to the V350-PRO.
2. Connect the electrode cable from the LN-742 to the "+" terminal of the welder. Connect the work cable to the "-" terminal of the welder.

**NOTE:** Figure C.7 shows the electrode connected for positive polarity. To change polarity, shut the welder off and reverse the electrode and work cables at the output terminals.

**NOTE:** Welding cable must be sized for current and duty cycle of application.

3. Connect the K591 control cable to the 24/42VAC 14 pin amphenol on the back of the V350-PRO and the input cable plug on the LN-742.
4. Set the "VOLTMETER" switch to "+" or "-" depending on the polarity chosen.
5. Set the "MODE" to the "CV-WIRE" position..
6. Set "CONTROL SELECT" to "LOCAL".
7. Place the "WELD TERMINALS SELECT" in the "REMOTE" position.
8. Adjust wire feed speed at the LN-742.
9. Set the "ARC" control at "0" initially and adjust to suit.

**Figure C.7 V350-PRO/LN-742 Connection Diagram**



V350-PRO

**LINCOLN**<sup>®</sup>  
**ELECTRIC**



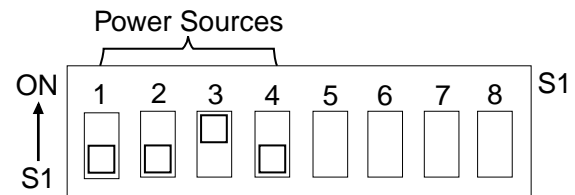
# ACCESSORIES

## CONNECTION OF THE LN-10 TO THE V350-

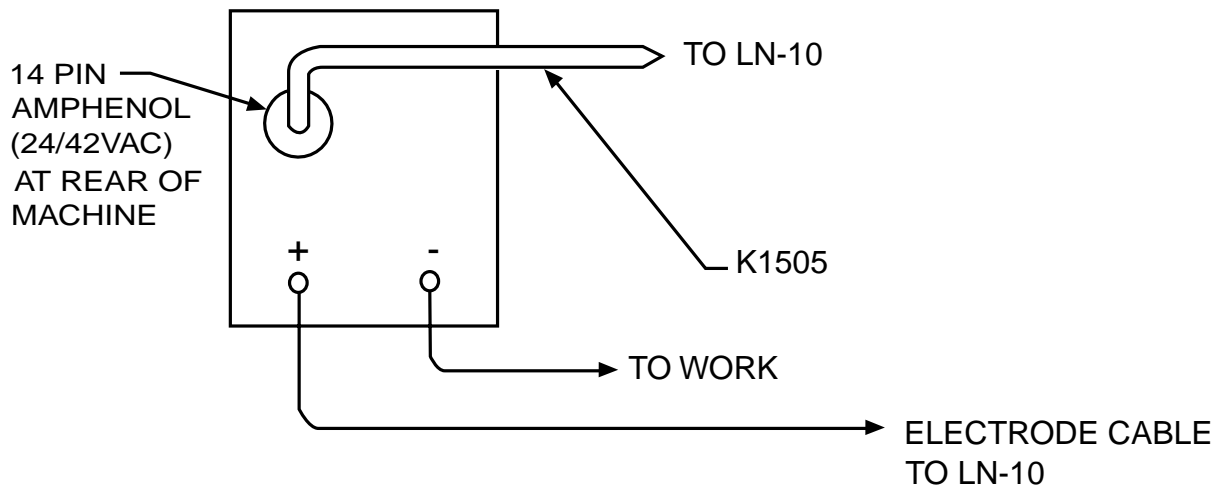
### PRO USING THE K1505 CONTROL CABLE.

**NOTE: AN LN-10 CAN ONLY BE USED WITH A FACTORY OR "CE" VERSION OF THE V350-PRO.**

1. Remove input power to the V350-PRO.
2. Connect the K1505 control cable from the LN-10 to the Invertec 24/42VAC 14 pin amphenol connector on the rear of the V350-PRO.
3. Connect the electrode cable to the output terminal of polarity required by the electrode. Connect the work lead to the other terminal.
4. Set the meter polarity switch on the front of the V350-PRO to coincide with wire feeder polarity used.
5. Set "CONTROL SELECT" to "REMOTE".
6. Set the "MODE" to the "CV-WIRE" position..
7. Set the "WELD TERMINALS SELECT" to the "REMOTE" position.
8. Set the "ARC CONTROL" to the "0" position and then adjust to suit.
9. Set wire feed speed and voltage at the LN-10. **NOTE:** The voltage set point displayed on the V350-PRO should be ignored when operating in the remote control mode with the LN-10.
10. See the LN-10 manual for details on accessing the control DIP switch.
11. The control DIP switch inside the LN-10 should be set as shown below for operation with the V350-Pro.



**Figure C.8 LN-10 V350-PRO**



V350-PRO



# ACCESSORIES

## Cobramatic Connection Instructions

A Cobramatic can only be used with a Factory or "CE" version of the V350

1. Turn the Invertec power switch "off"
2. Connect the control cable from the Cobramatic to the 24/42 VAC 14-pin wire feeder amphenol on the rear of the Invertec.
3. Connect the electrode cable to the output terminal of the polarity required by electrode. Connect the work lead to the other terminal.
4. Set the meter polarity switch on the front of the Invertec to coincide with wire feeder polarity used.
5. If a remote control such as K857 is to be used with the Cobramatic, the remote can be connected directly to the 6pin amphenol on the front of the Invertec or use a K864 adapter to connect the cobramatic and the remote to the 24/42VAC 14-pin wire feeder amphenol connector on the rear of the Invertec.

### TIG Module K930-2

The TIG Module connects to the V350-Pro Factory or CE versions with a K936-1 (9-14 pin) control cable. Connect the K936-1 to the 115VAC Wire Feeder Amphenol on the rear of the V350-Pro.

The TIG Module can also be used with the V350 Construction version. A K936-4 control cable is required to supply 115VAC to the TIG Module from an external 115VAC supply.

### General Instructions for Connection of Wire Feeders to V350-Pro

Wire feeders other than LN-7 and LN-25 may be used provided that the auxiliary power supply capacity of the V350-Pro is not exceeded. K867 universal adapter plug is required. See connection diagram S19406 and S19386 at the back of this manual for more information.

### Remote Control of Invertec

Remote Control K857, Hand Ampctrl K963 and Foot Ampctrl K870.

## OPTIONS / ACCESSORIES

### Construction Version – K1728-2

- All welding modes for this model run with local output control and weld terminals ON (e.g. Stick, TIG, LN25 off the arc).

K930-1	TIG Module
K428, K446, K449	LN-25(Off the Arc)

### Factory Version – K1728-1

- The factory model is the construction model with the addition of the Wire Feeder/Remote Adapter.
- In this form, the V350-Pro provides the hardware to power and connect to 24, 42 or 115 VAC wire feeders.

K857	Remote Output Control	
K814	Arc Start Switch	
K812	Hand Operated Ampctrl	
K870	Foot Operated Ampctrl	
K930-1	TIG Module	
K428, K446, K449	LN-25	
K617 (-1 or -2)	K618 (-1 or -2)	LN-742
K440 (-1), K567-1		LN-7 GMA
K1559-1, K1564-1		LN-10
K1499-1, K1521-1		DH-10

### "CE" Version – K1728-3

- The "CE" version is the Factory version with the addition of power line filtering allowing the machine to comply with the European and Australian EMC emission requirements.

### Field Installed Options/Accessories

Two versions of the V350-Pro are available from the factory for both the CE and ROW versions.

Options for K1728-1 Factory and K1728-3 "CE" V350's

- TIG Gas Control Kit – K1762-1
- Advance Process Panel – K1763-1

### Options for all models of V350-PRO

- Undercarriage – K1764-1

V350-PRO



Return to Section TOC

Return to Master TOC

Return to Section TOC

Return to Master TOC

Return to Section TOC

Return to Master TOC

Return to Section TOC

Return to Master TOC

# TABLE OF CONTENTS -MAINTENANCE-

---

Maintenance .....Section D

- Input Filter Capacitor Discharge Procedure .....D-2
- Routine Maintenance .....D-2
- Periodic Maintenance .....D-3
- Thermal Protection .....D-3
- Major Component Locations .....D-4

Return to Master TOC

Return to Master TOC

Return to Master TOC

Return to Master TOC

V350-PRO



## ⚠ WARNING

Have qualified personnel do the maintenance work. Always use the greatest care when working near moving parts.

Do not put your hands near the cooling blower fan. If a problem cannot be corrected by following the instructions, take the machine to the nearest Lincoln Field Service Shop.



### ELECTRIC SHOCK can kill.

- Do not touch electrically live parts or electrode with skin or wet clothing.
- Insulate yourself from work and ground
- Always wear dry insulating gloves.



### EXPLODING PARTS can cause injury.

- Failed parts can explode or cause other parts to explode when power is applied.

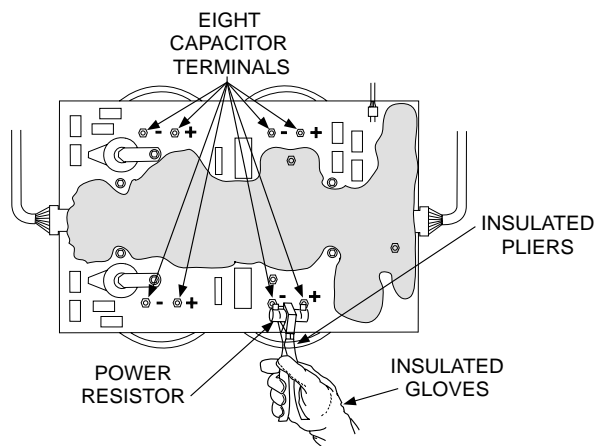
- Always wear a face shield and long sleeves when servicing.

See additional warning information throughout this operators manual.

## INPUT FILTER CAPACITOR DISCHARGE PROCEDURE

1. Remove the input power to the V350-PRO.
2. Using the 5/16" wrench remove the screws from the case wraparound cover.
3. Be careful not to make contact with the capacitor terminals located at the top and bottom of the switch board.
4. Obtain a high resistance and high wattage resistor (25-1000 ohms and 25 watts minimum). This resistor is not with the machine. NEVER USE A SHORTING STRAP FOR THIS PROCEDURE.

FIGURE D.1 — LOCATION OF INPUT FILTER CAPACITOR TERMINALS



5. Locate the eight capacitor terminals shown in figure D.1.
6. Using electrically insulated gloves and pliers, hold the body of the resistor with the pliers and connect the resistor leads across the two capacitor terminals. Hold the resistor in place for 10 seconds. DO NOT TOUCH CAPACITOR TERMINALS WITH YOUR BARE HANDS.
7. Repeat the discharge procedure for the other three capacitors.
8. Check the voltage across the terminals of all capacitors with a DC voltmeter. Polarity of the capacitor terminals is marked on the PC board above the terminals. Voltage should be zero. If any voltage remains, repeat this capacitor discharge procedure.

## ROUTINE MAINTENANCE

1. Every 6 months or so the machine should be cleaned with a low pressure airstream. Keeping the machine clean will result in cooler operation and higher reliability. Be sure to clean these areas:
  - All printed circuit boards
  - Power switch
  - Main transformer
  - Input rectifier
  - Auxiliary Transformer
  - Reconnect Switch Area
2. Examine the sheet metal case for dents or breakage. Repair the case as required. Keep the case in good condition to insure that high voltage parts are protected and correct spacings are maintained. All external sheet metal screws must be in place to insure case strength and electrical ground continuity.

V350-PRO



Return to Section TOC  
Return to Section TOC  
Return to Section TOC  
Return to Section TOC  
Return to Section TOC  
Return to Section TOC

Return to Master TOC

Return to Master TOC

Return to Master TOC

Return to Master TOC

## OVERLOAD PROTECTION

The machine is electrically protected from producing high output currents. Should the output current exceed 430A, an electronic protection circuit will reduce the current to approximately 100A. The machine will continue to produce this low current until the protection circuit is reset. Reset occurs when the output load is removed.

## THERMAL PROTECTION

Thermostats protect the machine from excessive operating temperatures. Excessive temperatures may be caused by a lack of cooling air or operating the machine beyond the duty cycle and output rating. If excessive operating temperature should occur, the thermostat will prevent output voltage or current. The meter will remain energized during this time.

Thermostats are self-resetting once the machine cools sufficiently. If the thermostat shutdown was caused by excessive output or duty cycle and the fan is operating normally, the Power Switch may be left on and the reset should occur within a 15 minute period.

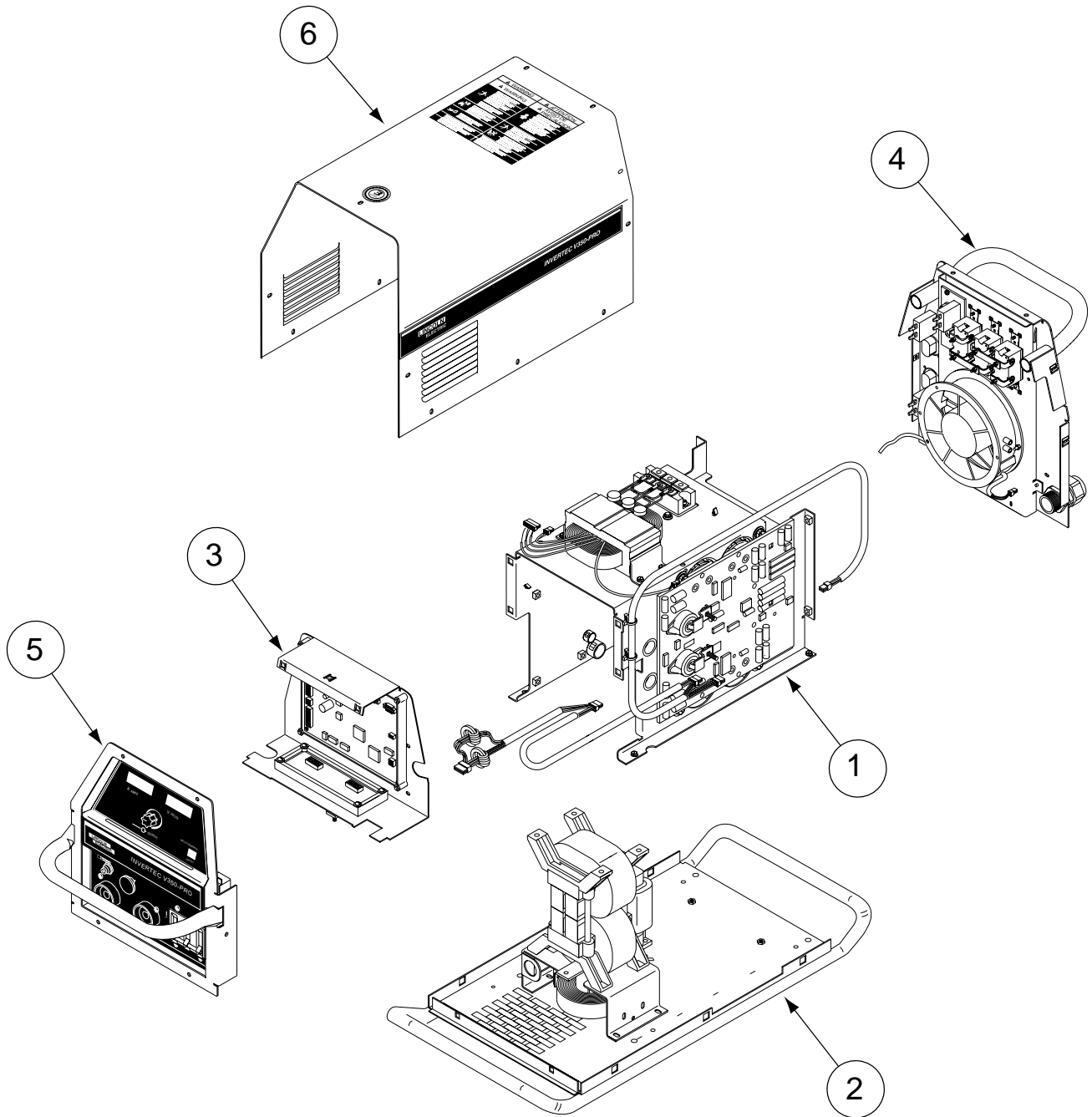
V350-PRO



# MAINTENANCE

FIGURE D.2 – MAJOR COMPONENT LOCATIONS

- 1. Center Panel
- 2. Base Assembly
- 3. Control Box Assembly
- 4. Case Back
- 5. Case Front
- 6. Case Wraparound



V350-PRO



Return to Section TOC

Return to Section TOC

Return to Section TOC

Return to Section TOC

Return to Master TOC

Return to Master TOC

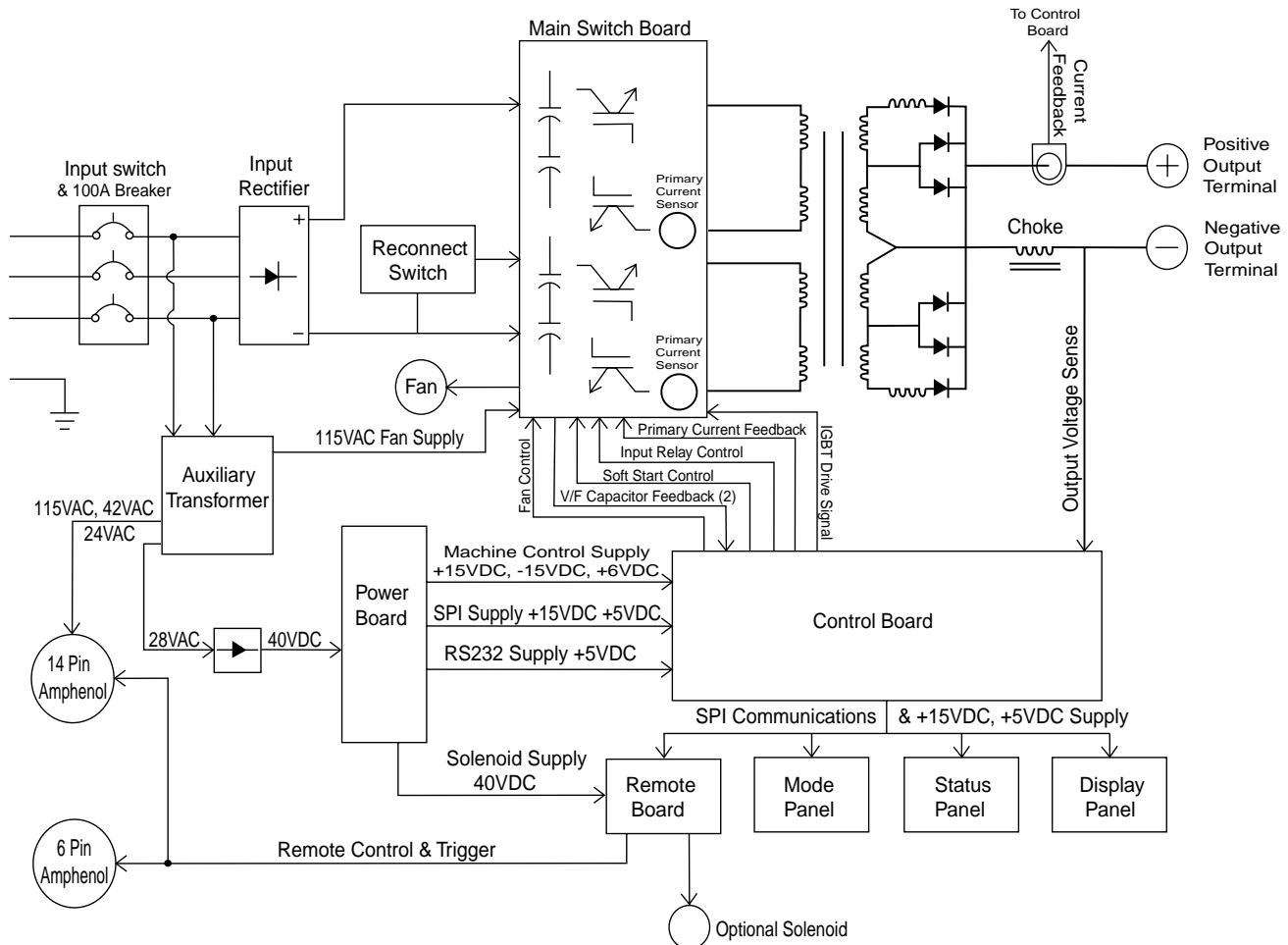
Return to Master TOC

Return to Master TOC

# TABLE OF CONTENTS -THEORY OF OPERATION SECTION-

Theory of Operation .....	Section E
General Description .....	E-2
Input Line Voltage, Auxiliary Transformer and Precharge.....	E-2
Switch Board and Main Transformer .....	E-3
Power board, Control Board, and SPI Communications.....	E-4
Output Rectifier and Choke .....	E-5
Thermal Protection .....	E-6
Protection Circuits .....	E-6
Over current Protection .....	E-6
Under/Over Voltage Protection .....	E-6
Insulated Gate Bipolar Transistor (IGBT) Operation .....	E-7
Pulse Width Modulation.....	E-8
Minimum/Maximum Output.....	E-8

**FIGURE E.1 – V350-PRO BLOCK LOGIC DIAGRAM**

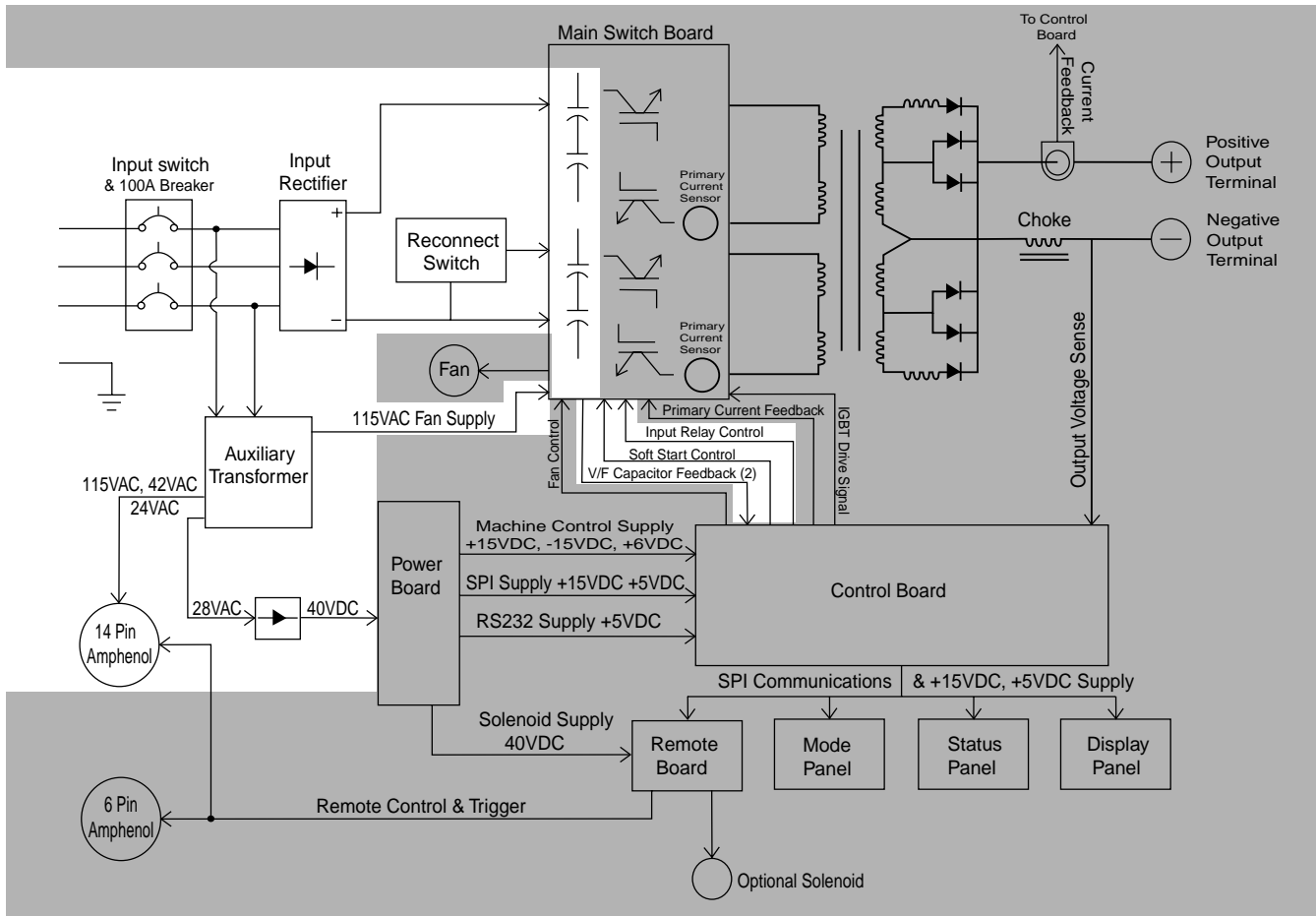


**V350-PRO**



# THEORY OF OPERATION

## FIGURE E.2 – INPUT VOLTAGE AND PRECHARGE



### GENERAL DESCRIPTION

The Invertec V350-Pro is an inverter based welding power source that offers multi mode constant voltage (CV) and constant current (CC) welding and is rated at 350 amps 34VDC at a 60% duty cycle. The Invertec V350-Pro is available in either a construction version (no wire feeder connection or auxiliary power ) and a factory version that includes a wire feeder connection and related power.

### INPUT LINE VOLTAGE, AUXILIARY TRANSFORMER, & PRECHARGE

The Invertec V350-Pro can be connected for a variety of three-phase or single-phase input voltages. The initial power is applied to the V350 through a combination line switch/circuit breaker located on the front of the machine. Two phases of the input voltage are applied to the auxiliary transformer. The auxiliary transformer develops four different secondary voltages. The 115VAC is used to power the fan motor and also is applied to the 14 pin amphenol type connector for wirefeeder operation. The 24VAC and 42VAC voltages are also applied to the 14 pin amphenol type connector to power wirefeeders. The 28VAC is rectified

and the resultant 40VDC is applied to the power board.

The input voltage is rectified by the input rectifier and the resultant DC voltage is applied to the switch board through the reconnect switch assembly located at the rear of the machine. The reconnect switch connect the two pairs of input capacitors either in a parallel (lower voltage) or series (higher voltage) configuration to accommodate the applied input voltage.

During the precharge time the DC input voltage is applied to the input capacitors through a current limiting circuit. The input capacitors are charged slowly and current limited. A voltage to frequency converter circuit located on the switch board monitors the capacitor voltages. This signal is coupled to the control board. When the input capacitors have charged to an acceptable level, the control board energizes the input relays, that are located on the switch board, making all of the input power, without current limiting, available to the input capacitors. If the capacitors become under or over voltage the control board will de-energize the input relays and the V350 output will be disabled. Other possible faults may also cause the input relays to drop out.

**NOTE:** Unshaded areas of Block Logic Diagram are the subject of discussion.

V350-PRO

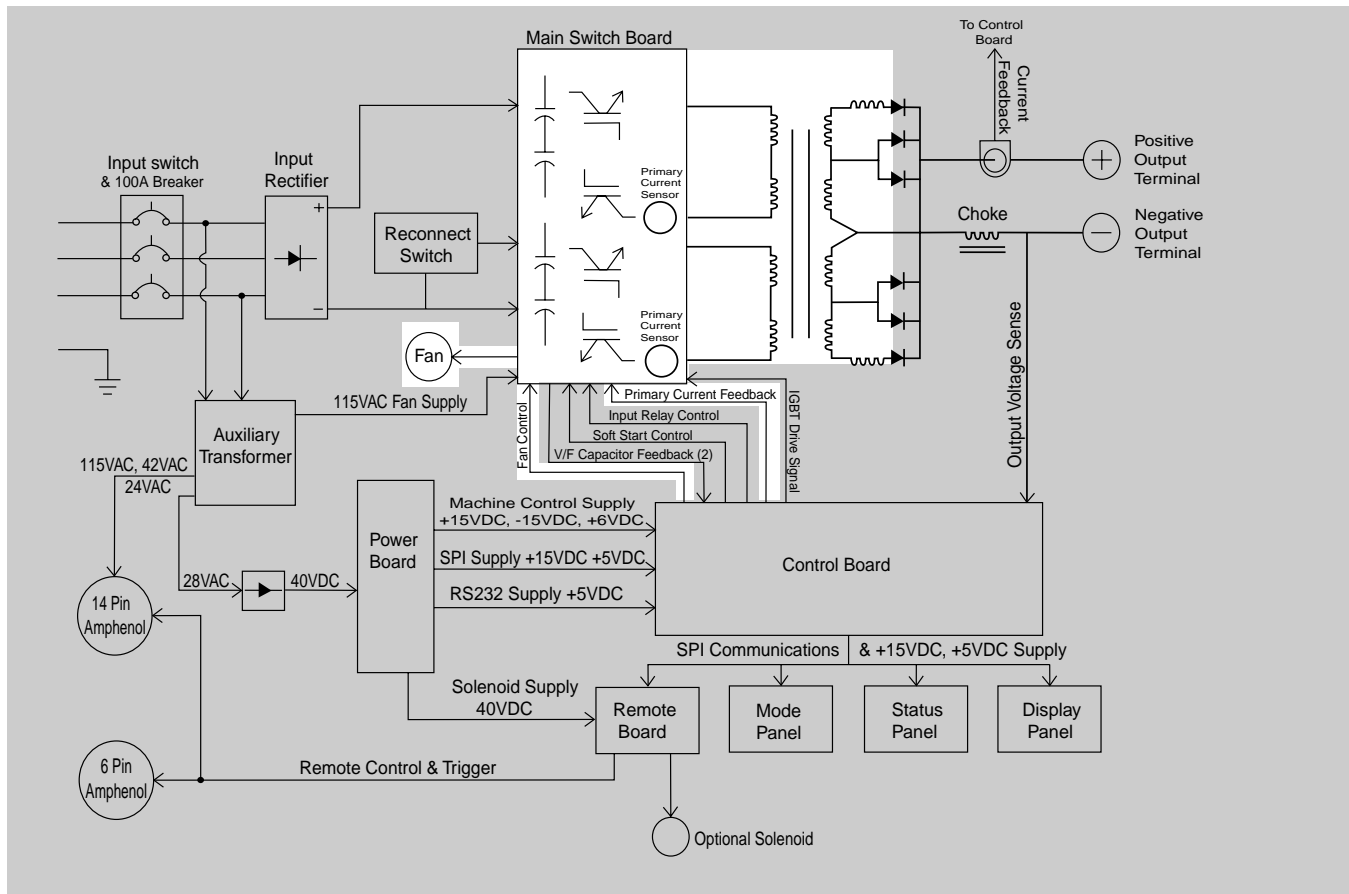
**LINCOLN**  
**ELECTRIC**

Return to Section TOC  
Return to Master TOC  
Return to Section TOC  
Return to Master TOC  
Return to Section TOC  
Return to Master TOC  
Return to Section TOC  
Return to Master TOC



# THEORY OF OPERATION

## FIGURE E.3 – SWITCH BOARD & MAIN TRANSFORMER



### SWITCH BOARD & MAIN TRANSFORMER

There is one switch board in the Invertec V350-Pro. This board incorporates two pairs of input capacitors, two insulated gate bipolar transistor (IGBT) switching circuits, a fan motor drive circuit, and a voltage/frequency capacitor feedback circuit. The two capacitors in a pair are always in series with each other. When the reconnect switch is in the lower voltage position the capacitor pairs are in parallel. Thus two series capacitors in parallel with two series capacitors. When the reconnect switch is in the high voltage position the two capacitor pairs are in series. Thus four capacitors in series. This is required to accommodate the higher input voltages.

When the input capacitors are fully charged they act as power supplies for the IGBT switching circuits. When welding output is required the Insulated Gate Bipolar Transistors switch the DC power from the input capacitors, "on and off" thus supplying a pulsed DC current to the main transformer primary windings. **See IGBT Operation Discussion and Diagrams** in this section. Each IGBT switching circuit feeds current to a separate, oppositely wound primary winding in the main transformer. The reverse directions of current

flow through the main transformer primaries and the offset timing of the IGBT switching circuits induce an AC square wave output signal at the secondary of the main transformer. The two current transformers (CT) located on the switch board monitor these primary currents. If the primary currents become abnormally high the control board will shut off the IGBTs, thus disabling the machine output. The DC current flow through each primary winding is clamped back to each respective input capacitor when the IGBTs are turned off. This is needed due to the inductance of the transformer primary winding. The firing of the two switch boards occurs during halves of a 50 microsecond interval, creating a constant 20 KHZ output. In some low open circuit Tig modes the firing frequency is reduced to 5KHZ.

The Invertec V350-Pro has a F.A.N. fan as needed circuit. The fan operates when the welding output terminals are energized or when a thermal over temperature condition exists. Once the fan is activated it will remain on for a minimum of five minutes. The fan driver circuit is housed on the switch board but it is activated from a control board signal.

**NOTE:** Unshaded areas of Block Logic Diagram are the subject of discussion.

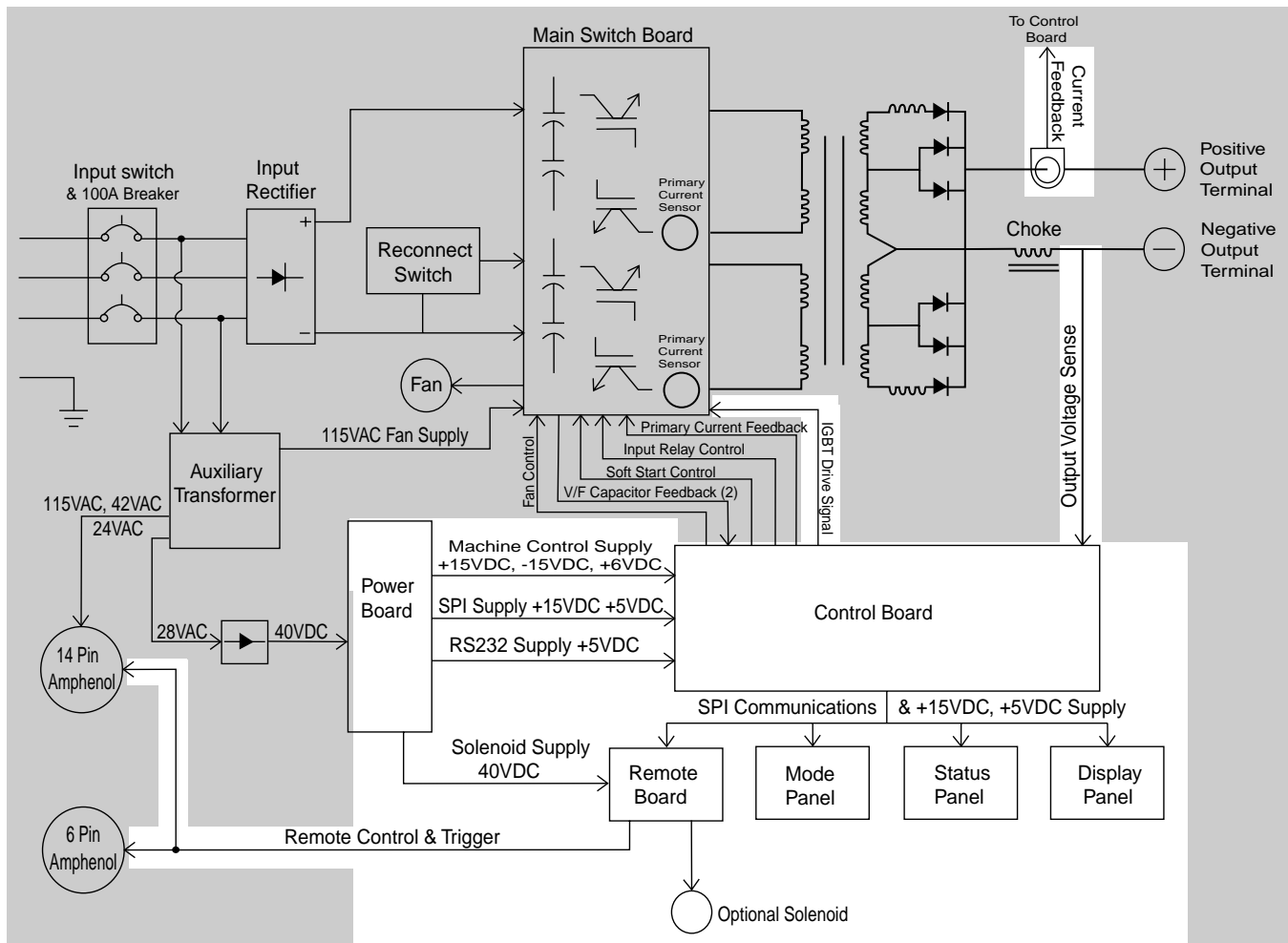
**V350-PRO**

**LINCOLN**  
**ELECTRIC**

Return to Section TOC  
Return to Master TOC  
Return to Section TOC  
Return to Master TOC  
Return to Section TOC  
Return to Master TOC  
Return to Section TOC  
Return to Master TOC

# THEORY OF OPERATION

FIGURE E.4 – POWER BOARD, CONTROL BOARD AND SERIAL PERIPHERAL INTERFACE (SPI) COMMUNICATIONS



## POWER BOARD, CONTROL BOARD AND SERIAL PERIPHERAL INTERFACE (SPI) COMMUNICATIONS

### POWER BOARD

The 28VAC auxiliary is rectified and filtered and applied to the power board. The power board, utilizing a switching power supply, processes the 40VDC input and develops several regulated positive and negative DC supplies. Three DC supplies are fed to the control board for machine control supplies. Two positive DC voltages are coupled to the control board for the Serial Peripheral Communications (SPI) supplies. A +5VDC is used for the RS232 connection supply and a +40VDC is fed to the remote board to power an optional gas solenoid. An over or under input voltage detection and shutdown circuit is also part of the power board's circuitry.

### CONTROL BOARD

The control board performs the primary interfacing

**NOTE:** Unshaded areas of Block Logic Diagram are the subject of discussion.

functions to establish and maintain output control of the V350 machine. The control board sends and receives command signals from the mode panel, the status panel, the display panel and /or the optional remote panel. These communications are processed through a digital network called a Serial Peripheral Interface (SPI). This network digitally communicates to and from the control board the user's commands and various machine status messages. The software that is contained within the control board processes and compares these commands with the voltage and current feedback information it receives from the output current sensor and the output voltage sensing leads. The appropriate pulse width modulation (PWM) signals (*See Pulse Width Modulation* in this section) are sent to the switch board IGBTs. In this manner, the digitally controlled high-speed welding waveform is created and regulated.

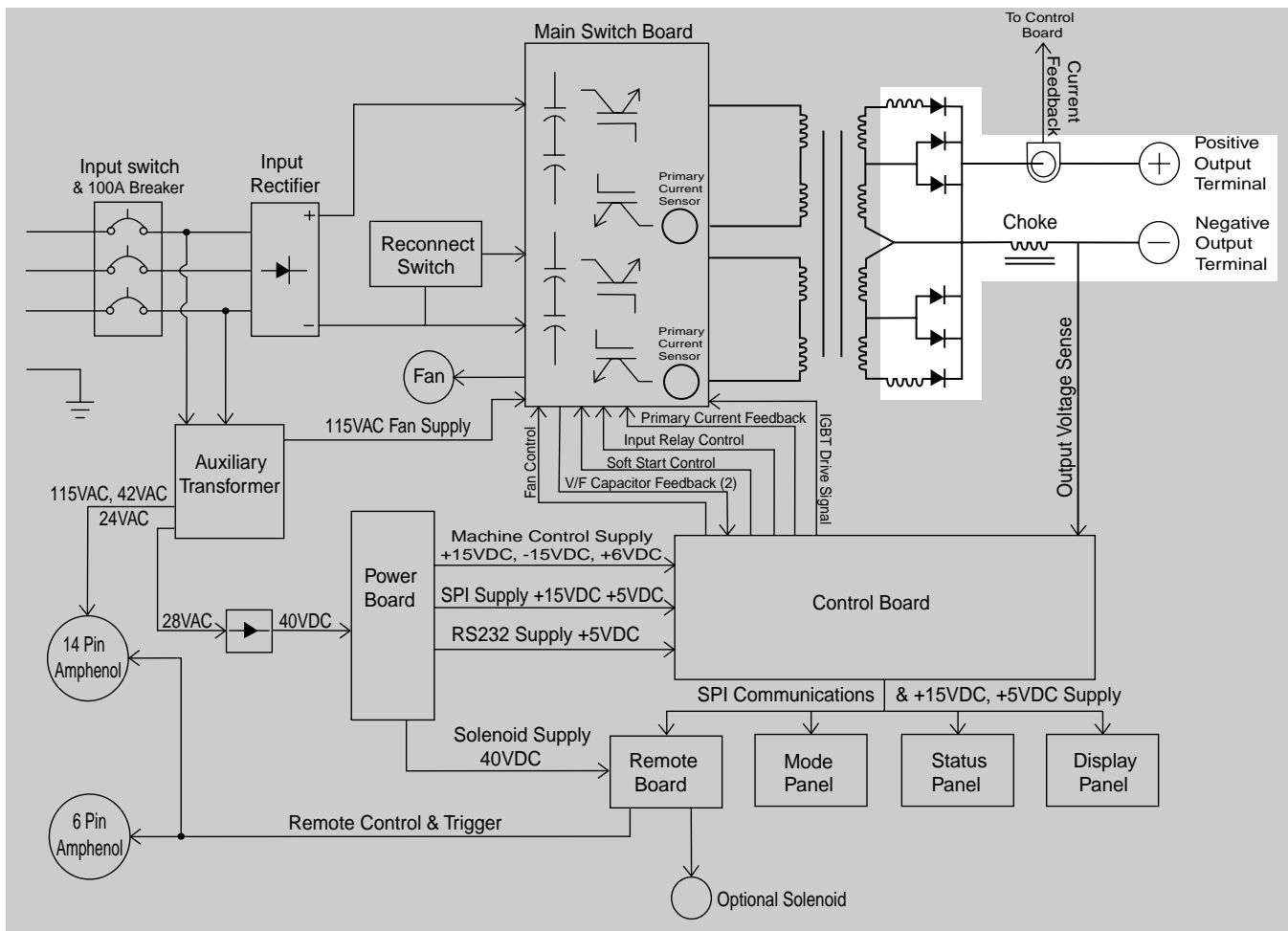
The control board also monitors the thermostats, the main transformer primary currents and the input capacitor voltages.

V350-PRO

**LINCOLN**  
**ELECTRIC**

# THEORY OF OPERATION

## FIGURE E.5 – OUTPUT RECTIFIER AND CHOKE



## OUTPUT RECTIFIER AND CHOKE

The output rectifier receives the AC output from the main transformer secondary and rectifies it to a DC voltage level. Since the output choke is in series with the negative leg of the output rectifier and also in series with the welding load, a filtered DC output is applied to the machine's output terminals.

**NOTE:** Unshaded areas of Block Logic Diagram are the subject of discussion.

V350-PRO

**LINCOLN**  
**ELECTRIC**

# THEORY OF OPERATION

## THERMAL PROTECTION

Two normally closed (NC) thermostats protect the machine from excessive operating temperatures. These thermostats are wired in series and are connected to the control board. One of the thermostats is located on the heat sink of the switch board and the other is located on the output choke. Excessive temperatures may be caused by a lack of cooling air or operating the machine beyond its duty cycle or output rating. If excessive operating temperatures should occur, the thermostats will prevent output from the machine. The yellow thermal light, located on the front of the machine, will be illuminated. The thermostats are self-resetting once the machine cools sufficiently. If the thermostat shutdown was caused by excessive output or duty cycle and the fan is operating normally, the power switch may be left on and the reset should occur within a 15-minute period. If the fan is not turning or the air intake louvers are obstructed, then the power must be removed from the machine, and the fan problem or air obstruction corrected.

## PROTECTIVE CIRCUITS

Protective circuits are designed into the V350-PRO to sense trouble and shut down the machine before damage occurs to the machine's internal components.

## OVER CURRENT PROTECTION

If the average current exceeds 450 amps for one second, then the output will be limited to 100 amps until the load is removed. If the peak current exceeds 600 amps for 150 ms, the output will be limited to 100 amps until the load is removed.

## UNDER/OVER VOLTAGE PROTECTION

Protective circuits are included on the switch and control boards to monitor the voltage across the input capacitors. In the event that a capacitor pair voltage is too high, or too low, the machine output will be disabled. The protection circuits will prevent output if any of the following conditions exist.

1. Voltage across a capacitor pair exceeds 467 volts. (High line surges or improper input voltage connections.)
2. Voltage across a capacitor pair is under 190 volts. (Due to improper input voltage connections.)
3. Internal component damage.

V350-PRO



Return to Section TOC  
Return to Master TOC  
Return to Section TOC  
Return to Master TOC  
Return to Section TOC  
Return to Master TOC  
Return to Section TOC  
Return to Master TOC

## INSULATED GATE BIPOLAR TRANSISTOR (IGBT) OPERATION

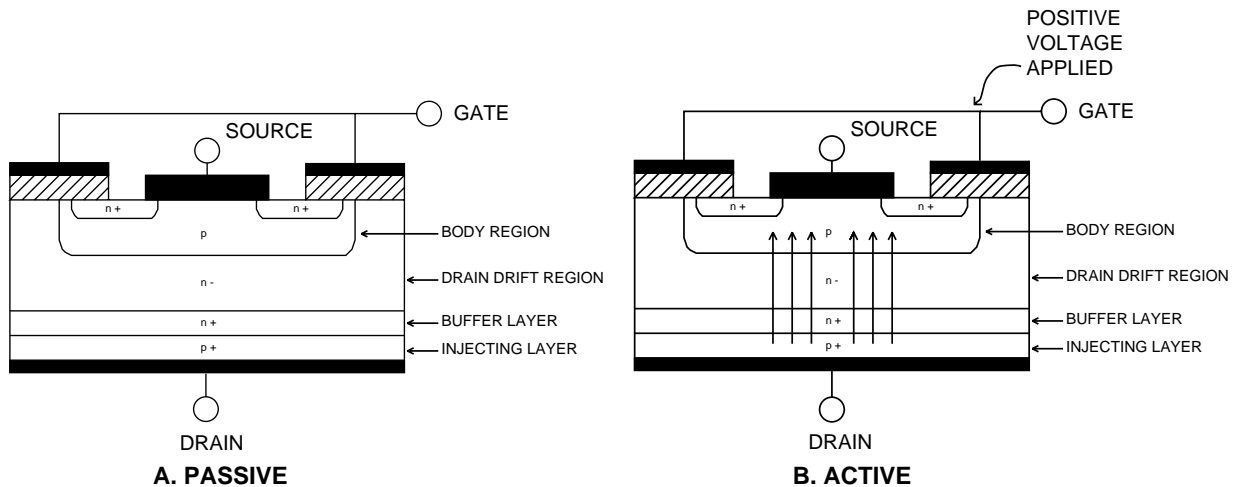
An IGBT is a type of transistor. IGBT are semiconductors well suited for high frequency switching and high current applications.

Example A in Figure E.8 shows an IGBT in passive mode. There is no gate signal, zero volts relative to the source, and therefore, no current flow. The drain terminal of the IGBT may be connected to a voltage supply; but since there is no conduction, the circuit will not supply current to components connected to the source. The circuit is turned OFF like a light switch.

Example B shows the IGBT in an active mode. When the gate signal, a positive DC voltage relative to the source, is applied to the gate terminal of the IGBT, it is

capable of conducting current. A voltage supply connected to the drain terminal will allow the IGBT to conduct and supply current to the circuit components coupled to the source. Current will flow through the conducting IGBT to downstream components as long as the positive gate signal is present. This is similar to turning ON a light switch.

FIGURE E.6 – IGBT



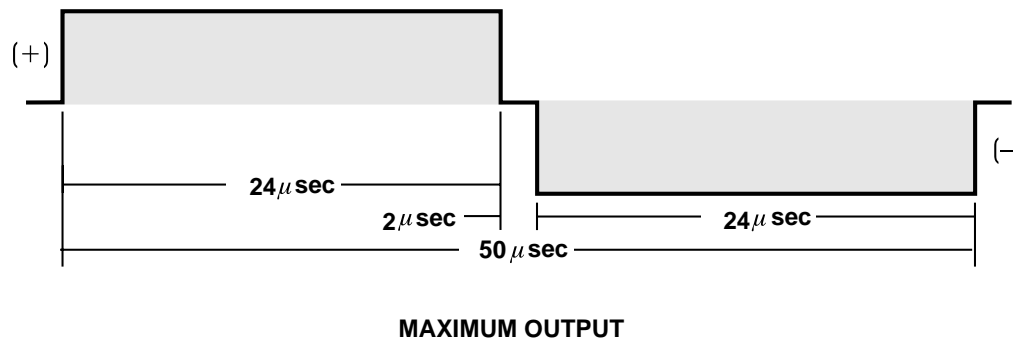
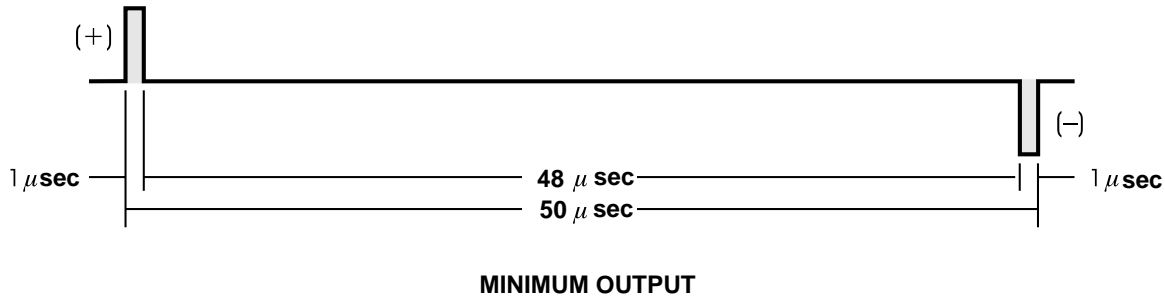
V350-PRO

**LINCOLN**  
**ELECTRIC**

Return to Section TOC  
Return to Master TOC  
Return to Section TOC  
Return to Master TOC  
Return to Section TOC  
Return to Master TOC  
Return to Section TOC  
Return to Master TOC

# THEORY OF OPERATION

FIGURE E.9 — TYPICAL IGBT OUTPUTS.



## PULSE WIDTH MODULATION

The term Pulse Width Modulation is used to describe how much time is devoted to conduction in the positive and negative portions of the cycle. Changing the pulse width is known as modulation. Pulse Width Modulation (PWM) is the varying of the pulse width over the allowed range of a cycle to affect the output of the machine.

## MINIMUM OUTPUT

By controlling the duration of the gate signal, the IGBT is turned on and off for different durations during the cycle. The top drawing in Figure E.9 shows the minimum output signal possible over a 50-microsecond time period.

The positive portion of the signal represents one IGBT group<sup>1</sup> conducting for one microsecond. The negative portion is the other IGBT group<sup>1</sup>. The dwell time (off time) is 48 microseconds (both IGBT groups off). Since only two microseconds of the 50-microsecond time period is devoted to conducting, the output power is minimized.

## MAXIMUM OUTPUT

By holding the gate signal on for 24 microseconds each, and allowing only two microseconds of dwell time (off time) during the 50-microsecond cycle, the output is maximized. The darkened area under the top curve can be compared to the area under the bottom curve. The more dark area that is under the curve indicates that more power is present.

<sup>1</sup>An IGBT group consists of two IGBT modules feeding one transformer primary winding.

V350-PRO

**LINCOLN**<sup>®</sup>  
**ELECTRIC**

Return to Section TOC  
Return to Master TOC  
Return to Section TOC  
Return to Master TOC  
Return to Section TOC  
Return to Master TOC  
Return to Section TOC  
Return to Master TOC

# TABLE OF CONTENTS

## TROUBLESHOOTING & REPAIR SECTION

---

**Troubleshooting & Repair Section .....Section F**

- How to Use Troubleshooting Guide .....F-2
- PC Board Troubleshooting Procedures and Replacement .....F-3
- Troubleshooting Guide .....F-4
- Test Procedures
  - Input Filter Capacitor Discharge Procedure .....F-15
  - Main Switch Board Test .....F-17
  - Input Rectifier Test .....F-21
  - Power Board Test .....F-25
  - Output Diode Modules Test .....F-29
  - Auxiliary Transformer Test .....F-33
  - Current Transducer Test .....F-37
  - Fan Control and Motor Test .....F-41
  - SPI Cable Resistance and Voltage Test .....F-45
  - Voltage and Current Calibration Procedure .....F-47
- Replacement Procedures
  - Control Board Removal and Replacement .....F-51
  - Display Board Removal and Replacement .....F-57
  - Main Switch Board Removal and Replacement .....F-61
  - Mode Board Removal and Replacement .....F-65
  - Status Board Removal and Replacement .....F-71
  - Snubber Board Removal and Replacement .....F-75
  - Power Board Removal and Replacement .....F-77
  - Input Rectifier Removal and Replacement .....F-81
  - Output Rectifier Modules Removal and Replacement .....F-85
  - Current Transducer Removal and Replacement .....F-89
  - Retest after Repair .....F-94

Return to Master TOC

Return to Master TOC

Return to Master TOC

Return to Master TOC

V350-PRO



# TROUBLESHOOTING & REPAIR

## HOW TO USE TROUBLESHOOTING GUIDE



### CAUTION

Service and repair should be performed by only Lincoln Electric Factory Trained Personnel. Unauthorized repairs performed on this equipment may result in danger to the technician and machine operator and will invalidate your factory warranty. For your safety and to avoid Electrical Shock, please observe all safety notes and precautions detailed throughout this manual.

This Troubleshooting Guide is provided to help you locate and repair possible machine malfunctions. Simply follow the three-step procedure listed below.

**Step 1. LOCATE PROBLEM (SYMPTOM).** Look under the column labeled "PROBLEM (SYMPTOMS)". This column describes possible symptoms that the machine may exhibit. Find the listing that best describes the symptom that the machine is exhibiting. Symptoms are grouped into three main categories: Output Problems, Function Problems, and LED Function Problems.

**Step 2. PERFORM EXTERNAL TESTS.** The second column, labeled "POSSIBLE AREAS OF MISADJUSTMENT(S)", lists the obvious external possibilities that may contribute to the machine symptom. Perform these tests/checks in the order listed. In general, these tests can be conducted without removing the case wrap-around cover.

**Step 3. PERFORM COMPONENT TESTS.** The last column, labeled "Recommended Course of Action" lists the most likely components that may have failed in your machine. It also specifies the appropriate test procedure to verify that the subject component is either good or bad. If there are a number of possible components, check the components in the order listed to eliminate one possibility at a time until you locate the cause of your problem.

All of the referenced test procedures referred to in the Troubleshooting Guide are described in detail at the end of this chapter. Refer to the Troubleshooting and Repair Table of Contents to locate each specific Test Procedure. All of the referred to test points, components, terminal strips, etc., can be found on the referenced electrical wiring diagrams and schematics. Refer to the Electrical Diagrams Section Table of Contents to locate the appropriate diagram.



### CAUTION

If for any reason you do not understand the test procedures or are unable to perform the test/repairs safely, contact the Lincoln Electric Service Department for electrical troubleshooting assistance before you proceed. Call 1-800-833-9353.(WELD)

V350-PRO





# TROUBLESHOOTING & REPAIR

## PC BOARD TROUBLESHOOTING PROCEDURES



### WARNING

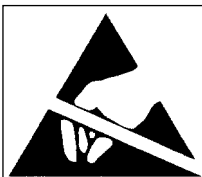


#### ELECTRIC SHOCK can kill.

Have an electrician install and service this equipment. Turn the machine OFF before working on equipment. Do not touch electrically hot parts.

Sometimes machine failures appear to be due to PC board failures. These problems can sometimes be traced to poor electrical connections. To avoid problems when troubleshooting and replacing PC boards, please use the following procedure:

1. Determine to the best of your technical ability that the PC board is the most likely component causing the failure symptom.
2. Check for loose connections at the PC board to assure that the PC board is properly connected.
3. If the problem persists, replace the suspect PC board using standard practices to avoid static electrical damage and electrical shock. Read the warning inside the static resistant bag and perform the following procedures:



**ATTENTION**  
Static-Sensitive  
Devices  
Handle only at  
Static-Safe  
Workstations

Reusable  
Container  
Do Not Destroy

#### PC Board can be damaged by static electricity.

- Remove your body's static charge before opening the static-shielding bag. Wear an anti-static wrist strap. For safety, use a 1 Meg ohm resistive cord connected to a grounded part of the equipment frame.
  - If you don't have a wrist strap, touch an unpainted, grounded, part of the equipment frame. Keep touching the frame to prevent static build-up. Be sure not to touch any electrically live parts at the same time.
- Tools which come in contact with the PC Board must be either conductive, anti-static or static-dissipative.

- Remove the PC Board from the static-shielding bag and place it directly into the equipment. Don't set the PC Board on or near paper, plastic or cloth which could have a static charge. If the PC Board can't be installed immediately, put it back in the static-shielding bag.
  - If the PC Board uses protective shorting jumpers, don't remove them until installation is complete.
  - If you return a PC Board to The Lincoln Electric Company for credit, it must be in the static-shielding bag. This will prevent further damage and allow proper failure analysis.
4. Test the machine to determine if the failure symptom has been corrected by the replacement PC board.

**NOTE:** Allow the machine to heat up so that all electrical components can reach their operating temperature.

5. Remove the replacement PC board and substitute it with the original PC board to recreate the original problem.
  - a. If the original problem does not reappear by substituting the original board, then the PC board was not the problem. Continue to look for bad connections in the control wiring harness, junction blocks, and terminal strips.
  - b. If the original problem is recreated by the substitution of the original board, then the PC board was the problem. Reinstall the replacement PC board and test the machine.
6. Always indicate that this procedure was followed when warranty reports are to be submitted.

**NOTE:** Following this procedure and writing on the warranty report, "INSTALLED AND SWITCHED PC BOARDS TO VERIFY PROBLEM," will help avoid denial of legitimate PC board warranty claims.

V350-PRO





# TROUBLESHOOTING & REPAIR

## TROUBLESHOOTING GUIDE

Observe Safety Guidelines detailed in the beginning of this manual.

PROBLEMS (SYMPTOMS)	POSSIBLE AREAS OF MISADJUSTMENT(S)	RECOMMENDED COURSE OF ACTION
<b>OUTPUT PROBLEMS</b>		
<p>The V350-Pro does not have welding output. The displays are lit.</p>	<ol style="list-style-type: none"> <li>1. Make sure the reconnect switch is configured correctly for the input voltage applied.</li> <li>2. Make sure the Weld Terminals Select is ON. If the problem is solved the remote control device or associated circuitry may be faulty. See the wiring diagram.</li> <li>3. Put the Control Select in the Local position. If the problem is solved the remote control device or associated circuitry may be faulty.</li> <li>4. If an error code is displayed see <i>Fault Code Explanations</i>.</li> </ol>	<ol style="list-style-type: none"> <li>1. Check the reconnect switch and associated leads for loose or faulty connections. See the wiring diagram.</li> <li>2. Perform the <i>Main Switch Board Test</i>.</li> <li>3. Perform the <i>Power Board Test</i>.</li> <li>4. Perform the <i>Output Diode Module Test</i>.</li> <li>5. The control board may be faulty.</li> <li>6. The input filter capacitors may be faulty. Check and replace if necessary.</li> <li>7. The status panel board may be faulty.</li> </ol>
<p>The V350-Pro will not produce full output.</p>	<ol style="list-style-type: none"> <li>1. The input voltage may be too low, limiting the output capability of the machine. Make certain the input voltage is correct for the machine and the reconnect switch and jumper lead configuration.</li> <li>2. The welding current may be too high. The machine will fold-back to 100 amps if the welding current exceeds 450 amps.</li> <li>3. Make sure the machine is in "Local" output control.. If the problem is resolved the Remote control board or the external remote control unit may be faulty.</li> </ol>	<ol style="list-style-type: none"> <li>1. Perform the <i>Output Rectifier Test</i>.</li> <li>2. Perform the <i>Main Switch Board Test</i>.</li> <li>3. Perform the <i>Power Board Test</i>.</li> <li>4. Perform the <i>Current Transducer Test</i>.</li> <li>5. If the preset function is not performing properly the status panel board or the output control may be faulty.</li> <li>6. The control board may be faulty.</li> </ol>



### CAUTION

If for any reason you do not understand the test procedures or are unable to perform the test/repairs safely, contact the Lincoln Electric Service Department for electrical troubleshooting assistance before you proceed. Call 1-800-833-9353(WELD).



Return to Section TOC

Return to Section TOC

Return to Section TOC

Return to Section TOC

Return to Master TOC

Return to Master TOC

Return to Master TOC

Return to Master TOC

# TROUBLESHOOTING & REPAIR

Observe Safety Guidelines detailed in the beginning of this manual.

## TROUBLESHOOTING GUIDE

PROBLEMS (SYMPTOMS)	POSSIBLE AREAS OF MISADJUSTMENT(S)	RECOMMENDED COURSE OF ACTION
<b>FUNCTION PROBLEMS</b>		
<p>The machine regularly overheats and the yellow thermal light is ON indicating a thermal overload.</p>	<ol style="list-style-type: none"> <li>1. The welding application may be exceeding the recommended duty cycle of the V350-Pro.</li> <li>2. Dirt and dust may have clogged the cooling channels inside the machine.</li> <li>3. Air intake and exhaust louvers may be blocked due to inadequate clearance around the machine.</li> <li>4. Make certain the fan as needed (F.A.N.) is operating properly. The fan should operate when welding voltage is present and/or when there is an over temperature condition.</li> </ol>	<ol style="list-style-type: none"> <li>1. The 115VAC fan motor is controlled by the control board via the main switch board. Perform the <b><i>Fan Motor And Control Test</i></b>.</li> <li>1. A thermostat or associated circuitry may be faulty. See the wiring diagram. One normally closed thermostat is located on the output choke and the other is located on the main switch board heat sink. See the wiring diagram.</li> </ol> <p>Note: <b><i>The Main Switch Board Removal Procedure</i></b> will be required to gain access to the heat sink thermostat.</p>
<p>An attached wire feeder will not function correctly.</p>	<ol style="list-style-type: none"> <li>1. Make certain the wire feeder control cable is connected to the correct 14-pin amphenol type plug (115VAC or 24/42VAC) for the wire feeder being used. See the connection diagram.</li> <li>2. Check the two circuit breakers located at the rear of the machine. Reset is tripped.</li> <li>3. The wire feeder or control cable may be faulty.</li> </ol>	<ol style="list-style-type: none"> <li>1. Perform the <b><i>Auxiliary Transformer Test</i></b>.</li> <li>2. Check the leads between the 14-pin amphenol type plugs and the auxiliary transformer for loose or faulty connections.</li> </ol>



### CAUTION

If for any reason you do not understand the test procedures or are unable to perform the test/repairs safely, contact the Lincoln Electric Service Department for electrical troubleshooting assistance before you proceed. Call 1-800-833-9353(WELD).

**V350-PRO**



## TROUBLESHOOTING &amp; REPAIR

Observe Safety Guidelines detailed in the beginning of this manual.

## TROUBLESHOOTING GUIDE

PROBLEMS (SYMPTOMS)	POSSIBLE AREAS OF MISADJUSTMENT(S)	RECOMMENDED COURSE OF ACTION
<b>FUNCTION PROBLEMS</b>		
The machine's welding output is very high and uncontrollable.	1. Put the Control Select in the Local position. If the problem is solved the remote control device or associated circuitry may be faulty.	<ol style="list-style-type: none"> <li>1. Perform the <b>Current Transducer Test</b>.</li> <li>2. If the output is normal when the Control Select is in the Local position but the output is very high in the Remote position the remote board may be faulty. Perform The <b>SPI Cable Resistance and Voltage Test</b>.</li> <li>3. The control board may be faulty.</li> </ol>
The Weld Mode Select does not function properly.	1. Refer to <b>Operation Section</b> of this manual for normal operation characteristics.	<ol style="list-style-type: none"> <li>1. Check for loose or faulty plug connections between the control board and the mode select panel. See the wiring diagram.</li> <li>2. Perform the <b>SPI Cable Resistance and Voltage Test</b>.</li> <li>3. The Mode Select Panel board may be faulty.</li> <li>4. The control board may be faulty.</li> </ol>
The Status Panel (Control and Weld Terminals Select) does not function properly.	1. Refer to <b>Operation Section</b> of this manual for normal operation characteristics.	<ol style="list-style-type: none"> <li>1. Check for loose or faulty plug connections between the control board and the status board. See the wiring diagram.</li> <li>2. The Status Board may be faulty.</li> <li>3. The control board may be faulty.</li> </ol>

**CAUTION**

If for any reason you do not understand the test procedures or are unable to perform the test/repairs safely, contact the Lincoln Electric Service Department for electrical troubleshooting assistance before you proceed. Call 1-800-833-9353(WELD).

V350-PRO



# TROUBLESHOOTING & REPAIR

Observe Safety Guidelines detailed in the beginning of this manual.

## TROUBLESHOOTING GUIDE

PROBLEMS (SYMPTOMS)	POSSIBLE AREAS OF MISADJUSTMENT(S)	RECOMMENDED COURSE OF ACTION
<b>FUNCTION PROBLEMS</b>		
The display is not functioning properly.	1. Refer to the <i>Operation Section</i> of this manual for normal operation characteristics.	1. Check for loose or faulty plug connections between the Display board and the control board. See the wiring diagram.  2. The display board may be faulty.  3. The control board may be faulty.
A fault or error code is displayed.	1. See the <i>Fault Code Explanations</i> .	1. See <i>Fault Code Explanations</i> .
For no apparent reason the welding characteristics have change.	1. Check the welding cables for loose or faulty connection.  2. Make sure the machine's mode and output are set correctly for the process being used. (CV, CC,TIG etc.)  3. If Mig welding make sure the shielding gas and wire speed are correct for the process being used.	1. Perform the <i>Voltage and Current Calibration Procedure</i> .  2. Perform the <i>Current Transducer Test</i> .  3. Perform the <i>Output Diode Module Test</i>  4. The control board may be faulty.



### CAUTION

If for any reason you do not understand the test procedures or are unable to perform the test/repairs safely, contact the Lincoln Electric Service Department for electrical troubleshooting assistance before you proceed. Call 1-800-833-9353(WELD).

V350-PRO



## TROUBLESHOOTING &amp; REPAIR

FAULT CODES	DESCRIPTION/ DEFINITION	CORRECTIVE ACTION	SERVICE FACILITY CORRECTIVE ACTION
31	Main transformer primary over current	Turn the machine off and back on to reset the machine. If condition persists, contact an authorized Lincoln Field Service Facility.	<p>Perform the <i>Main Switch Board Test</i>.</p> <p>Perform the <i>Power Board Test</i>.</p> <p>There may be a problem with the primary current sensors (CT) located on the main switch board. See the Wiring diagram</p> <p>The control board may be faulty.</p>
32	Capacitor bank "A" (lower) is under voltage	Make sure the reconnect switches are configured for the input voltage being applied to the machine. The machine is self clearing when condition ceases.	<p>There may be a problem with the V/F signals from the main switch board to the control board.</p> <p>Perform the <i>Main Switch Board Test</i>.</p> <p>Perform the <i>Power Board Test</i>.</p> <p>The control board may be faulty.</p>

**NOTE:** If more than one fault message is being displayed, perform all the checks for the faults before replacing the printed circuit board

V350-PRO



## TROUBLESHOOTING &amp; REPAIR

FAULT CODES	DESCRIPTION/ DEFINITION	CORRECTIVE ACTION	SERVICE FACILITY CORRECTIVE ACTION
33	Capacitor bank "B"(upper) is under voltage.	Make sure the reconnect switches are configured for the input voltage being applied to the machine. The machine is self-clearing when condition ceases.	<p>There may be a problem with the V/F signals from the main switch board to the control board.</p> <p>Perform the <b>Main Switch Board Test</b>.</p> <p>Perform the <b>Power Board Test</b>.</p> <p>The control board may be faulty.</p>
34	Capacitor bank "A"(lower) is over voltage.	Make sure the reconnect switches are configured for the input voltage being applied to the machine. The machine is self-clearing when condition ceases.	<p>There may be a problem with the V/F signals from the main switch board to the control board.</p> <p>Perform the <b>Main Switch Board Test</b>.</p> <p>Perform the <b>Power Board Test</b>.</p> <p>The control board may be faulty.</p>

**NOTE:** If more than one fault message is being displayed, perform all the checks for the faults before replacing the printed circuit board

V350-PRO





## TROUBLESHOOTING &amp; REPAIR

FAULT CODES	DESCRIPTION/ DEFINITION	CORRECTIVE ACTION	SERVICE FACILITY CORRECTIVE ACTION
35	Capacitor bank "B"(lower) is over voltage.	Make sure the reconnect switches are configured for the input voltage being applied to the machine. The machine is self-clearing when condition ceases.	<p>There may be a problem with the V/F signals from the main switch board to the control board.</p> <p>Perform the <b>Main Switch Board Test</b>.</p> <p>Perform the <b>Power Board Test</b>.</p> <p>The control board may be faulty.</p>
37	The soft start function failed.	Turn the machine off and back on to reset the machine.	<p>There may be a problem with the V/F signals from the main switch board to the control board.</p> <p>Perform the <b>Main Switch Board Test</b>.</p> <p>Perform the <b>Power Board Test</b>.</p> <p>The control board may be faulty.</p>

**NOTE:** If more than one fault message is being displayed, perform all the checks for the faults before replacing the printed circuit board  
V350-PRO



## TROUBLESHOOTING &amp; REPAIR

FAULT CODES	DESCRIPTION/ DEFINITION	CORRECTIVE ACTION	SERVICE FACILITY CORRECTIVE ACTION
39	Electrical "glitch" on the primary over current fault detector circuit.	Possibly caused by an external electrical "noise" or signal level. Make sure the V350-Pro is grounded correctly. The machine is self clearing when condition ceases.	<p>Perform the <b>Main Switch Board Test</b>.</p> <p>Perform the <b>Power Board Test</b>.</p> <p>There may be a problem with the primary current sensors (CT) located on the main switch board. See the wiring diagram.</p> <p>The control board may be faulty.</p>
43	Capacitor banks "A" (lower) and "B"(upper) are not balanced.	Make sure the reconnect switches are configured for the input voltage being applied to the machine. The machine is self-clearing when condition ceases.	<p>There may be a problem with the V/F signals from the main switch board to the control board.</p> <p>Perform the <b>Main Switch Board Test</b>.</p> <p>The capacitor(s) may be faulty. Check and replace if necessary.</p>
44	The machine has detected a fault in the central processing unit (CPU).	Make sure the V350-Pro is grounded correctly. The machine is self clearing when condition ceases.	<p>Perform the <b>Power Board Test</b>.</p> <p>The control board or associated wiring may be faulty. See the wiring diagram.</p>

**NOTE:** If more than one fault message is being displayed, perform all the checks for the faults before replacing the printed circuit board

**V350-PRO**



## TROUBLESHOOTING &amp; REPAIR

FAULT CODES	DESCRIPTION/ DEFINITION	CORRECTIVE ACTION	SERVICE FACILITY CORRECTIVE ACTION
47	Electrical "glitch" on the V/F signals from the main switch board to the control board.	Possibly caused by an external electrical "noise" or signal level. Make sure the V350-Pro is grounded correctly. The machine is self clearing when condition ceases.	<p>There may be a problem with the V/F signals from the main switch board to the control board.</p> <p>Perform the <b>Main Switch Board Test</b>.</p> <p>Perform the <b>Power Board Test</b>.</p> <p>The control board may be faulty.</p>
"bad node" "####"	The selected weld mode does not exist in the weld table that is presently loaded in the machine.	Press the Mode Select button to select a different welding mode.	<p>Perform the <b>Power Board Test</b>.</p> <p>Perform the <b>SPI Cable Resistance and Voltage Test</b>.</p> <p>The control board may be faulty.</p>

**NOTE:** If more than one fault message is being displayed, perform all the checks for the faults before replacing the printed circuit board

V350-PRO



Return to Section TOC  
Return to Master TOC

Return to Section TOC  
Return to Master TOC

Return to Section TOC  
Return to Master TOC

Return to Section TOC  
Return to Master TOC

V350-PRO



# TROUBLESHOOTING & REPAIR

## INPUT FILTER CAPACITOR DISCHARGE PROCEDURE



### WARNING

Service and repair should be performed by only Lincoln Electric factory trained personnel. Unauthorized repairs performed on this equipment may result in danger to the technician or machine operator and will invalidate your factory warranty. For your safety and to avoid electrical shock, please observe all safety notes and precautions detailed throughout this manual.

If for any reason you do not understand the test procedures or are unable to perform the test/repairs safely, contact the Lincoln Electric Service Department for electrical troubleshooting assistance before you proceed. Call 1-800-833-9353 (WELD).

### DESCRIPTION

This procedure will drain off any charge stored in the four large capacitors that are part of the switch board assembly. This procedure **MUST** be performed, as a safety precaution, before conducting any test or repair procedure that requires you to touch internal components of the machine.

### MATERIALS NEEDED

- 5/16" Nut Driver
- Insulated Pliers
- Insulated Gloves
- High Wattage Resistor (25-1000 ohms and 25 watts minimum)
- DC Volt Meter

This procedure takes approximately 20 minutes to perform.

V350-PRO



## INPUT FILTER CAPACITOR DISCHARGE PROCEDURE *(continued)*

### **⚠ WARNING**

**ELECTRIC SHOCK** can kill.

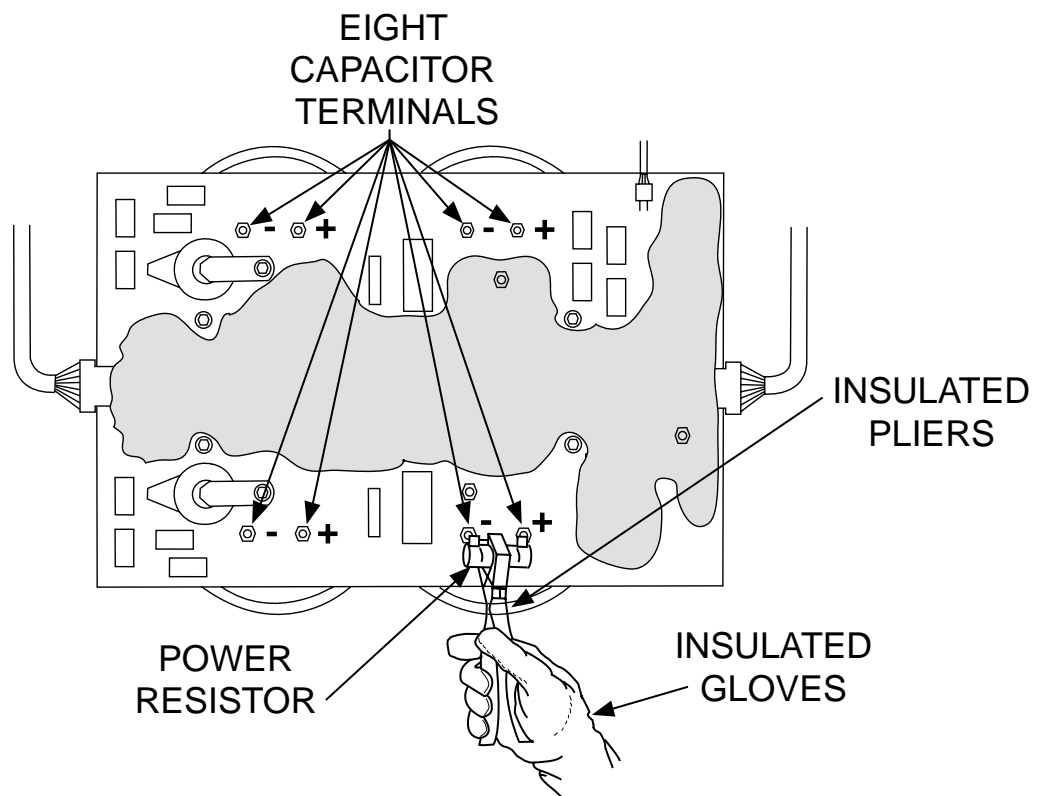


- Have an electrician install and service this equipment.
- Turn the input power off at the fuse box before working on equipment.
- Do not touch electrically hot parts.
- Prior to performing preventative maintenance, perform the following capacitor discharge procedure to avoid electric shock.

### DISCHARGE PROCEDURE

1. Remove the input power to the V350-PRO.
2. Using the 5/16" wrench remove the screws from the case wraparound cover.
3. Be careful not to make contact with the capacitor terminals located at the top and bottom of the switch board.
4. Obtain a high resistance and high wattage resistor (25-1000 ohms and 25 watts minimum). This resistor is not with the machine. NEVER USE A SHORTING STRAP FOR THIS PROCEDURE.
5. Locate the eight capacitor terminals shown in figure F.1.
6. Using electrically insulated gloves and pliers, hold the body of the resistor with the pliers and connect the resistor leads across the two capacitor terminals. Hold the resistor in place for 10 seconds. DO NOT TOUCH CAPACITOR TERMINALS WITH YOUR BARE HANDS.
7. Repeat the discharge procedure for the other three capacitors.
8. Check the voltage across the terminals of all capacitors with a DC voltmeter. Polarity of the capacitor terminals is marked on the PC board above the terminals. Voltage should be zero. If any voltage remains, repeat this capacitor discharge procedure.

**FIGURE F.1 – LOCATION OF INPUT FILTER CAPACITOR TERMINALS**



V350-PRO

**LINCOLN**  
**ELECTRIC**

# TROUBLESHOOTING & REPAIR

## MAIN SWITCH BOARD TEST



### WARNING

Service and repair should be performed by only Lincoln Electric factory trained personnel. Unauthorized repairs performed on this equipment may result in danger to the technician or machine operator and will invalidate your factory warranty. For your safety and to avoid electrical shock, please observe all safety notes and precautions detailed throughout this manual.

If for any reason you do not understand the test procedures or are unable to perform the test/repairs safely, contact the Lincoln Electric Service Department for electrical troubleshooting assistance before you proceed. Call 1-800-833-9353 (WELD).

### DESCRIPTION

This test will help determine if the "power section" of the switch boards are functioning correctly. This test will NOT indicate if the entire PC board is functional. This resistance test is preferable to a voltage test with the machine energized because this board can be damaged easily. In addition, it is dangerous to work on this board with the machine energized.

### MATERIALS NEEDED

- Analog Volt/Ohmmeter
- 5/16 in. Wrench
- 7/16 in. Wrench

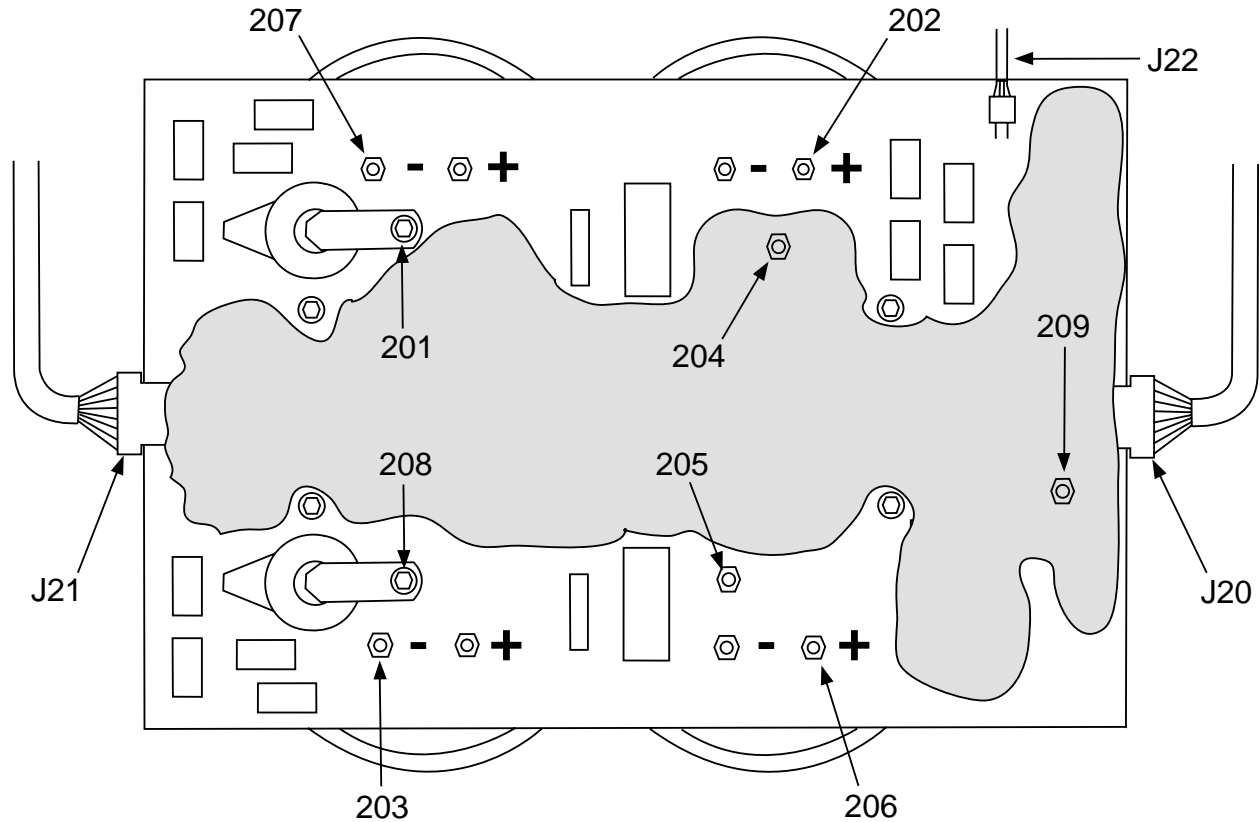
This procedure takes approximately 30 minutes to perform.

V350-PRO



## MAIN SWITCH BOARD TEST (continued)

FIGURE F.2 MAIN SWITCH BOARD LEAD LOCATIONS



## TEST PROCEDURE

1. Remove input power to the V350-PRO.
2. Using a 5/16" nut driver, remove the case wraparound.
3. Perform the **Input Filter Capacitor Discharge Procedure** detailed earlier in this section.
4. Using a 7/16" wrench locate, label and remove leads 201, 202, 203, 204, 205, 206, 207 and 208 from the switch board. Note lead and washer placement for reassembly. Clear leads.
5. Using the Analog ohmmeter, perform the resistance tests detailed in **Table F.1**. Refer to figure F.2 for test point locations. Note: Test using an Analog ohmmeter on the Rx1 range. Make sure the test probes are making electrical contact with the conductor surfaces on the PC board.

V350-PRO

**LINCOLN**  
**ELECTRIC**



# TROUBLESHOOTING & REPAIR

## MAIN SWITCH BOARD TEST *(continued)*

6. If any test fails replace the switch board. See **Main Switch Board Removal and Replacement.**
7. If the switch board resistance tests are OK, check connections on plugs J20, J21, J22 and all associated wiring. See wiring diagram.
8. Reconnect leads 201, 202, 203, 204, 205, 206, 207, and 208 to the switch board. Ensure that the leads are installed in their proper locations. Pre-Torque all leads nuts to 25 inch lbs. before tightening them to 44 inch lbs.
9. Replace the case wraparound cover using a 5/16" nut driver.

**TABLE F.1. SWITCH BOARD RESISTANCE TEST**

APPLY POSITIVE TEST PROBE TO TERMINAL	APPLY NEGATIVE TEST PROBE TO TERMINAL	NORMAL RESISTANCE READING
+206	-205	Greater than 1000 ohms
+208	-203	Greater than 1000 ohms
+202	-204	Greater than 1000 ohms
+201	-207	Greater than 1000 ohms
+205	-206	Less than 100 ohms
+203	-208	Less than 100 ohms
+204	-202	Less than 100 ohms
+207	-201	Less than 100 ohms

Return to Section TOC  
Return to Master TOC

Return to Section TOC  
Return to Master TOC

Return to Section TOC  
Return to Master TOC

Return to Section TOC  
Return to Master TOC

Return to Section TOC  
Return to Master TOC

V350-PRO



# TROUBLESHOOTING & REPAIR

## INPUT RECTIFIER TEST



### WARNING

Service and repair should be performed by only Lincoln Electric factory trained personnel. Unauthorized repairs performed on this equipment may result in danger to the technician or machine operator and will invalidate your factory warranty. For your safety and to avoid electrical shock, please observe all safety notes and precautions detailed throughout this manual.

If for any reason you do not understand the test procedures or are unable to perform the test/repairs safely, contact the Lincoln Electric Service Department for electrical troubleshooting assistance before you proceed. Call 1-800-833-9353 (WELD).

---

### DESCRIPTION

This test will help determine if the input rectifier has "shorted" or "open" diodes.

### MATERIALS NEEDED

- Analog Voltmeter/Ohmmeter (Multimeter)
- 5/16" Nut Driver
- Phillips Head Screwdriver
- Wiring Diagram

This procedure takes approximately 25 minutes to perform.

V350-PRO



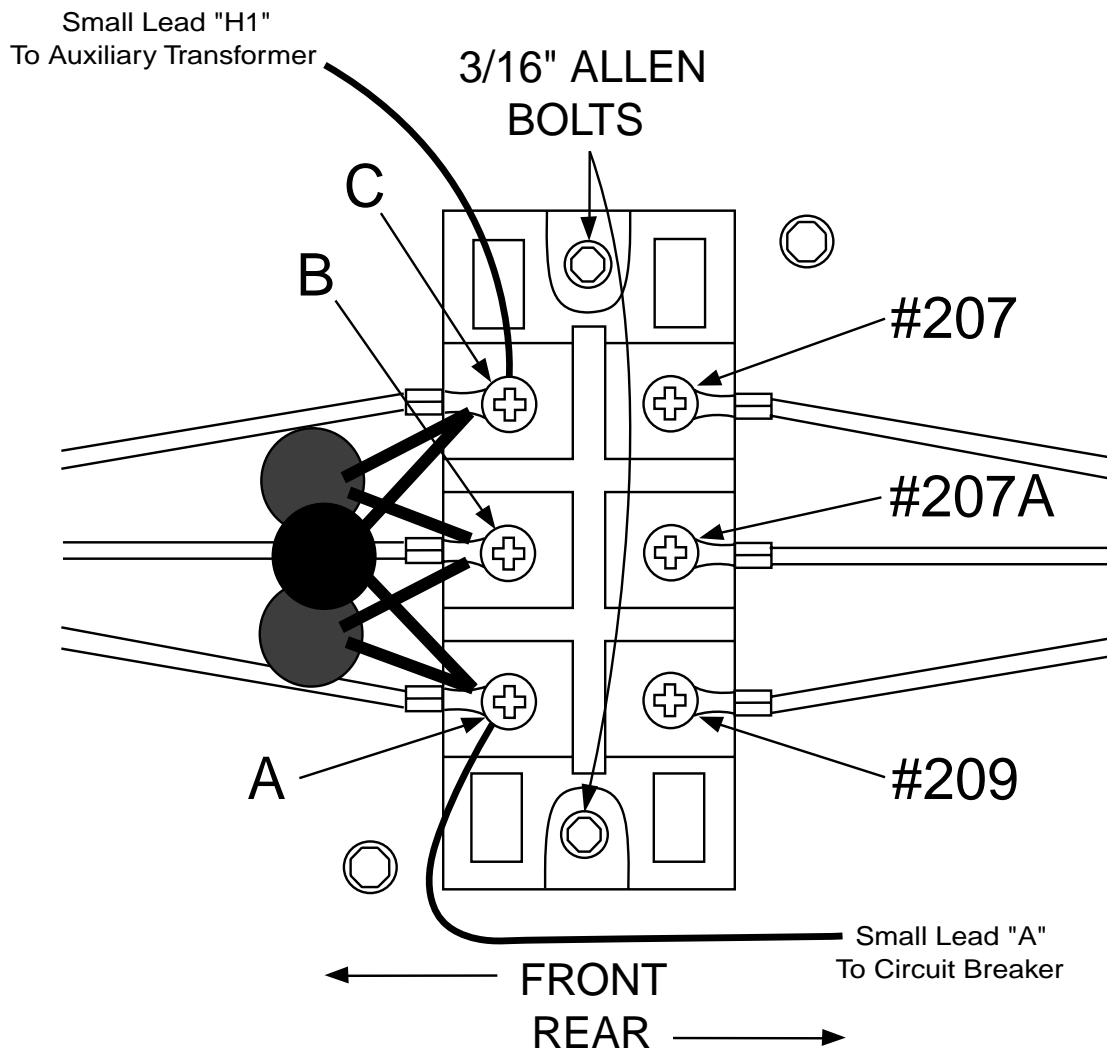
# TROUBLESHOOTING & REPAIR

## INPUT RECTIFIER TEST (CONTINUED)

### TEST PROCEDURE

1. Remove input power to the V350-PRO machine.
2. Using a 5/16" nut driver, remove the case wraparound cover.
3. Perform the **Capacitor Discharge Procedure** detailed earlier in this section.
4. Locate the input rectifier and associated leads. See Figure F.3.
5. Carefully remove the silicone sealant from leads 207, 207A, and 209.
6. Using a phillips head screwdriver, remove leads 207, 207A, and 209 from the input rectifier.
7. Use the analog ohmmeter to perform the tests detailed in **Table F.2**. See the Wiring Diagram.
8. Visually inspect the three MOV'S for damage (TP1,TP2,TP3). Replace if necessary.

Figure F.3 Input Rectifier



V350-PRO



Return to Section TOC

Return to Section TOC

Return to Section TOC

Return to Section TOC

Return to Master TOC

Return to Master TOC

Return to Master TOC

Return to Master TOC

# TROUBLESHOOTING & REPAIR

## INPUT RECTIFIER TEST (CONTINUED)

Table F.2 Input Rectifier Test Points

TEST POINT TERMINALS		ANALOG METER X10 RANGE
+ PROBE	- PROBE	Acceptable Meter Readings
A	207	Greater than 1000 ohms
B	207	Greater than 1000 ohms
C	207	Greater than 1000 ohms
A	207A	Greater than 1000 ohms
B	207A	Greater than 1000 ohms
C	207A	Greater than 1000 ohms
A	209	Less than 100 ohms
B	209	Less than 100 ohms
C	209	Less than 100 ohms
207	A	Less than 100 ohms
207	B	Less than 100 ohms
207	C	Less than 100 ohms
207A	A	Less than 100 ohms
207A	B	Less than 100 ohms
207A	C	Less than 100 ohms
209	A	Greater than 1000 ohms
209	B	Greater than 1000 ohms
209	C	Greater than 1000 ohms

9. If the input rectifier does not meet the acceptable readings outlined in Table F.2 the component may be faulty. Replace
  - Note:** Before replacing the input rectifier, check the input power switch and perform the *Main Switch Board Test*. Also check for leaky or faulty filter capacitors.
10. If the input rectifier is good, be sure to reconnect leads 207, 207A, and 209 to the correct terminals and torque to 31 inch lbs. Apply silicone sealant.
11. If the input rectifier is faulty, see the *Input Rectifier Bridge Removal & Replacement* procedure.
12. Replace the case wraparound cover.

V350-PRO



Return to Section TOC

Return to Master TOC

Return to Section TOC  
Return to Master TOC

Return to Section TOC  
Return to Master TOC

Return to Section TOC  
Return to Master TOC

Return to Section TOC  
Return to Master TOC

V350-PRO



# TROUBLESHOOTING & REPAIR

## POWER BOARD TEST



### WARNING

Service and repair should be performed by only Lincoln Electric factory trained personnel. Unauthorized repairs performed on this equipment may result in danger to the technician or machine operator and will invalidate your factory warranty. For your safety and to avoid electrical shock, please observe all safety notes and precautions detailed throughout this manual.

If for any reason you do not understand the test procedures or are unable to perform the test/repairs safely, contact the Lincoln Electric Service Department for electrical troubleshooting assistance before you proceed. Call 1-800-833-9353 (WELD).

### DESCRIPTION

This test will help determine if the power board is receiving the correct voltages and also if the power board is regulating and producing the correct DC voltages.

### MATERIALS NEEDED

- Volt-Ohmmeter
- 5/16" Nut Driver
- Wiring Diagram

This procedure takes approximately 30 minutes to perform.

V350-PRO



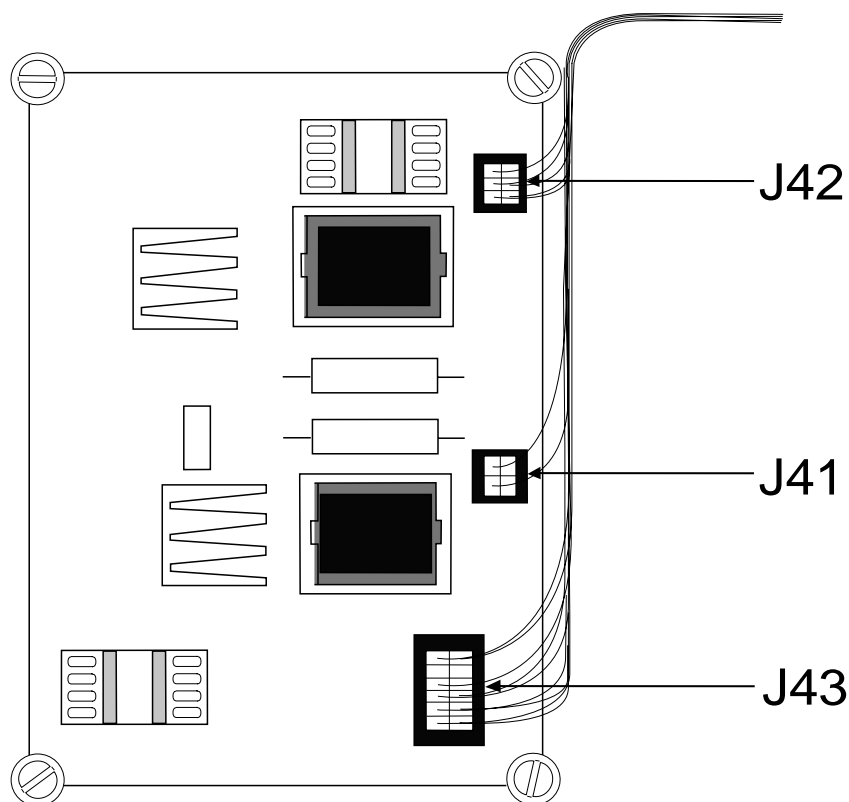
# TROUBLESHOOTING & REPAIR

## POWER BOARD TEST (CONTINUED)

### TEST PROCEDURE

1. Remove input power to the V350-PRO machine.
2. Using a 5/16" nut driver, remove the case wraparound cover.
3. Perform the **Capacitor Discharge Procedure** detailed earlier in this section.
4. Locate the power board and plugs J41, J42 and J43. **Do not remove plugs from the power board.** See Figure F.4.
5. Carefully apply the correct input voltage to the V350-PRO.
6. Carefully test for the correct voltages at the power board. **See Table F.3.**
7. If the 40VDC is low, or not present at plug J41, check the rectifier bridge and C5 filter capacitor. See Wiring Diagram. Also perform the **Auxiliary Transformer Test.**
8. If any of the DC voltages are low, or not present at plugs J42 or J43, the power board may be faulty.
9. Remove the input power to the V350-PRO.
10. Replace the case wraparound cover using a 5/16" nut driver.

Figure F.4 Power Board Plug Location



V350-PRO

**LINCOLN**  
**ELECTRIC**



# TROUBLESHOOTING & REPAIR

## POWER BOARD TEST (CONTINUED)

Table F.3 Power Board Voltage Checks

CHECK POINT LOCATION	TEST DESCRIPTION	CONNECTOR PLUG PIN NO.	LEAD NO. OR IDENTITY	NORMAL ACCEPTABLE VOLTAGE READING
POWER PC BOARD CONNECTOR PLUG J41	CHECK 40VDC SUPPLY FROM RECT. BRIDGE TO POWER BD.	<p>2(+) 1(-) 65 66</p>	65 (+) 66 (-)	38-42 VDC
POWER PC BOARD CONNECTOR PLUG J42	CHECK +15VDC SUPPLY FROM POWER PC BOARD	<p>1(+) 5(-) 410 412</p>	412 (+) 410 (-)	15 VDC
POWER PC BOARD CONNECTOR PLUG J42	CHECK +5VDC SUPPLY FROM POWER PC BOARD	<p>3(+) 5(-) 410 408</p>	408 (+) 410 (-)	5 VDC
POWER PC BOARD CONNECTOR PLUG J42	CHECK -15VDC SUPPLY FROM POWER PC BOARD	<p>2(+) 5(-) 410 411</p>	411 (+) 410 (-)	-15 VDC
POWER PC BOARD CONNECTOR PLUG J43	CHECK +5VDC "SPI" SUPPLY FROM POWER PC BOARD	<p>3(+) 12(-) 401 403</p>	403 (+) 401 (-)	5 VDC
POWER PC BOARD CONNECTOR PLUG J43	CHECK +5VDC "RS232" SUPPLY FROM POWER PC BOARD	<p>4(+) 9(-) 405 406</p>	406 (+) 405 (-)	5 VDC
POWER PC BOARD CONNECTOR PLUG J43	CHECK +15VDC "SPI" SUPPLY FROM POWER PC BOARD	<p>6(+) 12(-) 401 402</p>	402 (+) 401 (-)	15 VDC
POWER PC BOARD CONNECTOR PLUG J43	CHECK +40VDC OPTIONAL SOLENOID SUPPLY FROM POWER PC BOARD	<p>8(+) 1(-) 438 431</p>	438 (+) 431 (-)	40 VDC

V350-PRO



Return to Section TOC

Return to Section TOC

Return to Section TOC

Return to Section TOC

Return to Master TOC

Return to Master TOC

Return to Master TOC

Return to Master TOC

Return to Section TOC  
Return to Master TOC

Return to Section TOC  
Return to Master TOC

Return to Section TOC  
Return to Master TOC

Return to Section TOC  
Return to Master TOC

V350-PRO



# TROUBLESHOOTING & REPAIR

## OUTPUT DIODE MODULES TEST



### WARNING

Service and repair should be performed by only Lincoln Electric factory trained personnel. Unauthorized repairs performed on this equipment may result in danger to the technician or machine operator and will invalidate your factory warranty. For your safety and to avoid electrical shock, please observe all safety notes and precautions detailed throughout this manual.

If for any reason you do not understand the test procedures or are unable to perform the test/repairs safely, contact the Lincoln Electric Service Department for electrical troubleshooting assistance before you proceed. Call 1-800-833-9353 (WELD).

---

### DESCRIPTION

This test will help determine if any of the output diodes are "shorted".

### MATERIALS NEEDED

Analog Voltmeter/Ohmmeter  
Wiring Diagram

This procedure takes approximately 20 minutes to perform.

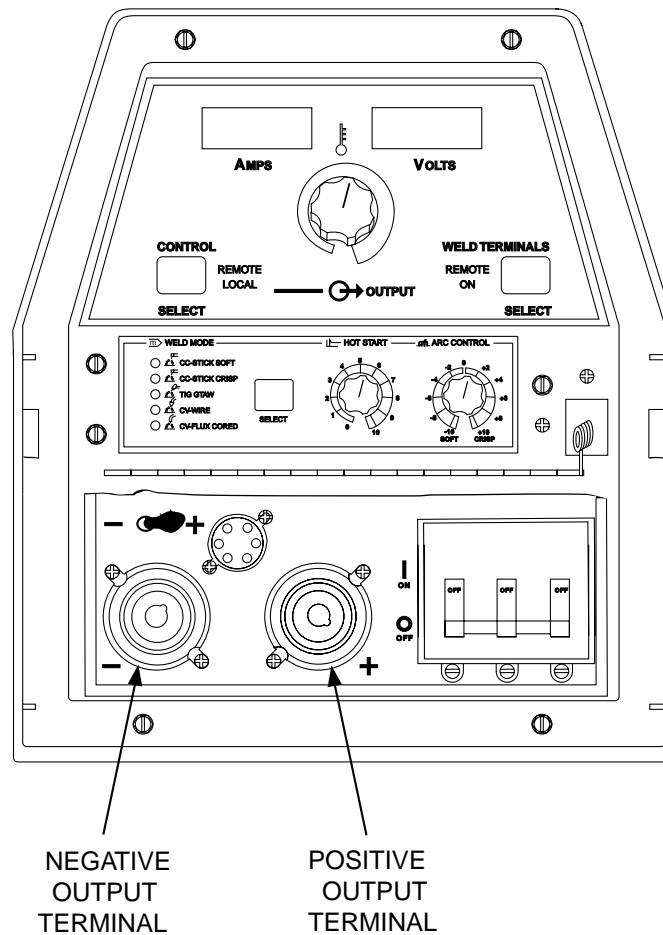
V350-PRO



# TROUBLESHOOTING & REPAIR

## OUTPUT DIODE MODULES TEST (continued)

FIGURE F.5 Machine Output Terminals



### TEST PROCEDURE

1. Remove input power to the V350-PRO.
2. Locate the output terminals on the front panel of the machine. See Figure F.5.
3. Remove any output cables and load from the output terminals.
4. Using the analog ohmmeter test for more than 200 ohms resistance between positive and negative output terminals. Positive test lead to the positive terminal; Negative test lead to the negative terminal. **See Figure F.6.**

**NOTE:** The polarity of the test leads is most important. If the test leads polarity is not correct, the test will have erroneous results.

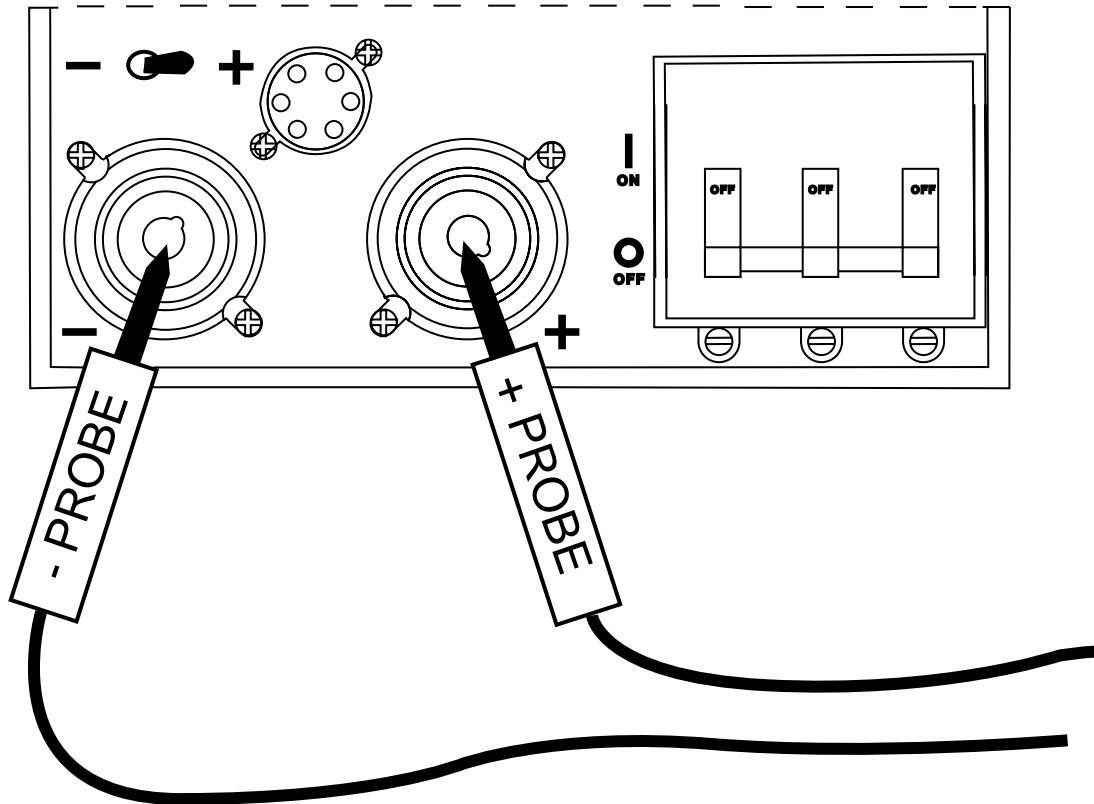
V350-PRO

**LINCOLN**<sup>®</sup>  
**ELECTRIC**

## TROUBLESHOOTING &amp; REPAIR

## OUTPUT DIODE MODULES TEST (continued)

Figure F.6 Terminal Close-Up



5. If 200 ohms is measured then the output diodes are not "shorted".
9. Test all output diode modules individually.

**NOTE:** There is a 200 ohm resistor across the welding output terminals.

6. If less than 200 ohms is measured, one or more diodes or the snubber board may be faulty.
7. Perform the **Filter Capacitor Discharge Procedure** detailed in the maintenance section.
8. Locate the output diode modules and snubber board. **See Figure F.7.**

**NOTE:** This may require the disassembly of the leads and the snubber board from the diode modules. Refer to the **Output Diode Modules Removal and Replacement Procedure** for detailed instructions.

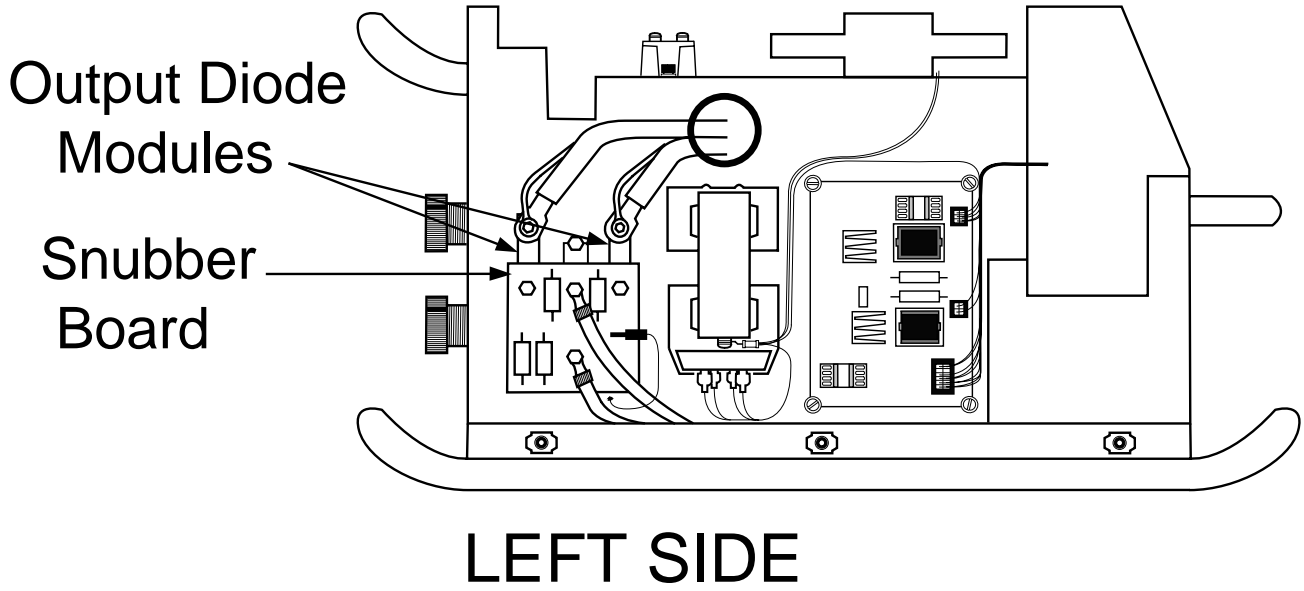
V350-PRO

**LINCOLN**<sup>®</sup>  
**ELECTRIC**

# TROUBLESHOOTING & REPAIR

## OUTPUT DIODE MODULES TEST *(continued)*

Figure F.7 Snubber and Output Diode Locations



Return to Section TOC  
Return to Section TOC  
Return to Section TOC  
Return to Section TOC  
Return to Master TOC  
Return to Master TOC  
Return to Master TOC  
Return to Master TOC

V350-PRO



# TROUBLESHOOTING & REPAIR

## AUXILIARY TRANSFORMER TEST



### WARNING

Service and repair should be performed by only Lincoln Electric factory trained personnel. Unauthorized repairs performed on this equipment may result in danger to the technician or machine operator and will invalidate your factory warranty. For your safety and to avoid electrical shock, please observe all safety notes and precautions detailed throughout this manual.

If for any reason you do not understand the test procedures or are unable to perform the test/repairs safely, contact the Lincoln Electric Service Department for electrical troubleshooting assistance before you proceed. Call 1-800-833-9353 (WELD).

---

### DESCRIPTION

This procedure will determine if the correct voltage is being applied to the primary of auxiliary transformer and also if the correct voltage is being induced on the secondary windings of the transformer.

### MATERIALS NEEDED

- Volt-ohmmeter (Multimeter)
- 5/16" Nut Driver
- Wiring Diagram

This procedure takes approximately 25 minutes to perform.

V350-PRO







# TROUBLESHOOTING & REPAIR

## AUXILIARY TRANSFORMER NO.1 TEST *(continued)*

TABLE F.4

LEAD IDENTIFICATION	NORMAL EXPECTED VOLTAGE
31 TO 532	115 VAC
42 TO 541	42 VAC
24 TO 541	24 VAC
54 TO 41A	28 VAC

7. Carefully apply the correct input voltage to the V350-PRO and check for the correct secondary voltages per table F.4. Make sure the reconnect jumper lead and switch are configured correctly for the input voltage being applied. Make sure circuit breaker (CB2) is functioning properly.

**NOTE:** The secondary voltages will vary if the input line voltage varies.

8. If the correct secondary voltages are present, the auxiliary transformer is functioning properly. If any of the secondary voltages are missing or low, check to make certain the primary is configured correctly for the input voltage applied. See Wiring Diagram.



### WARNING

High voltage is present at primary of Auxiliary Transformer.

9. If the correct input voltage is applied to the primary, and the secondary voltage(s) are not correct, the auxiliary transformer may be faulty.
10. Remove the input power to the V350-PRO.
11. Install the case wraparound cover using a 5/16" nut driver.

V350-PRO



Return to Section TOC  
Return to Master TOC  
Return to Section TOC  
Return to Master TOC  
Return to Section TOC  
Return to Master TOC  
Return to Section TOC  
Return to Master TOC  
Return to Section TOC  
Return to Master TOC

# NOTES

---

Return to Section TOC  
Return to Master TOC

Return to Section TOC  
Return to Master TOC

Return to Section TOC  
Return to Master TOC

Return to Section TOC  
Return to Master TOC

V350-PRO



# TROUBLESHOOTING AND REPAIR

## CURRENT TRANSDUCER TEST



### WARNING

Service and repair should be performed by only Lincoln Electric factory trained personnel. Unauthorized repairs performed on this equipment may result in danger to the technician or machine operator and will invalidate your factory warranty. For your safety and to avoid electrical shock, please observe all safety notes and precautions detailed throughout this manual.

If for any reason you do not understand the test procedures or are unable to perform the test/repairs safely, contact the Lincoln Electric Service Department for electrical troubleshooting assistance before you proceed. Call 1-800-833-9353 (WELD).

---

### DESCRIPTION

This test will help determine if the current transducer and associated wiring are functioning correctly.

### MATERIALS NEEDED

- Volt-ohmmeter
- 5/16" Nut Driver
- Grid Bank
- External DC Ammeter

This procedure takes approximately 45 minutes to perform.

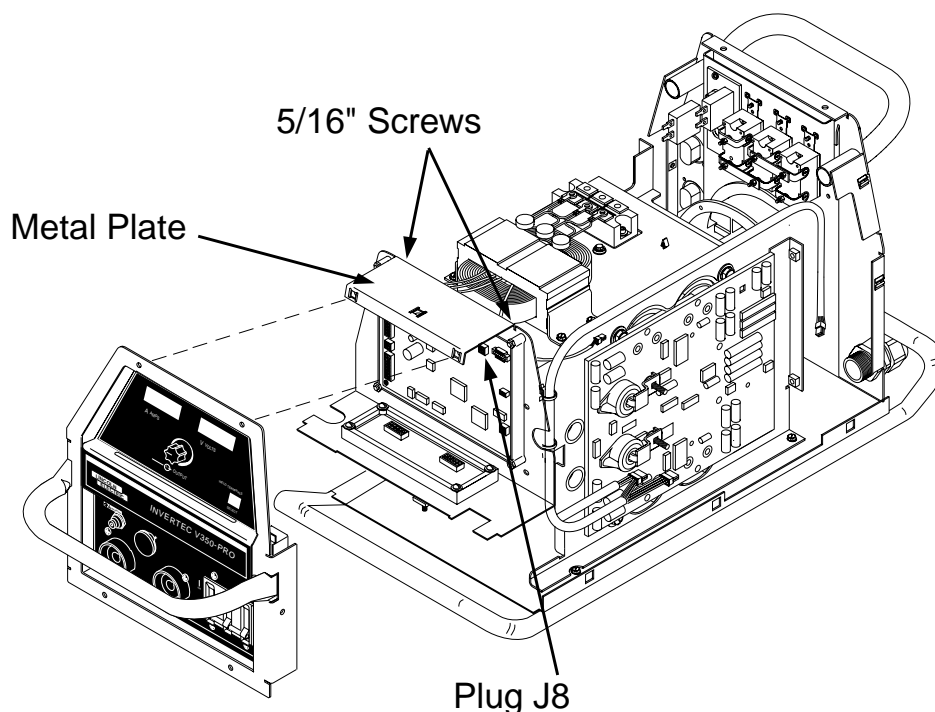
V350-PRO



# TROUBLESHOOTING AND REPAIR

## CURRENT TRANSDUCER TEST *(continued)*

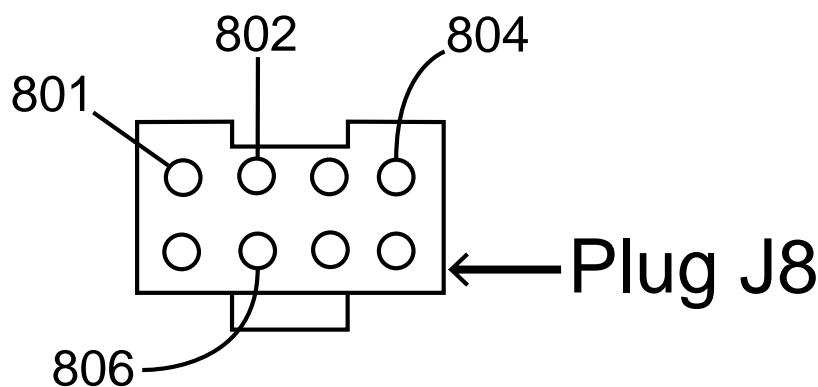
FIGURE F.10 Metal Plate Removal & Plug J8 Location



### TEST PROCEDURE

1. Remove input power to the V350-PRO.
2. Using the 5/16" nut driver, remove the case wraparound cover.
3. Perform the **Input Capacitor Discharge Procedure**.
4. Using the 5/16" nut driver, remove the control box top and cut any necessary cable ties. See Figure F.10.
5. Locate plug J8 on the control board. Do not remove the plug from the P.C. Board.
6. Apply the correct input power to the V350-PRO.
7. Check for the correct DC supply voltages to the current transducer at plug J8. See Figure F.11.
  - A. Pin 2 (lead 802+) to pin 6 (lead 806-) should read +15 VDC.
  - B. Pin 4 (lead 804+) to pin 6 (lead 806-) should read -15 VDC.
8. If either of the supply voltages are low or missing, the control board may be faulty.

FIGURE F.11. Plug J8 Viewed From Lead Side of Plug



V350-PRO

**LINCOLN**  
**ELECTRIC**

# TROUBLESHOOTING AND REPAIR

## CURRENT TRANSDUCER TEST *(continued)*

TABLE F.5

OUTPUT LOAD CURRENT	EXPECTED TRANSDUCER FEEDBACK VOLTAGE
300	2.4
250	2.0
200	1.6
150	1.2
100	0.8

9. Check the feedback voltage from the current transducer using a resistive load bank and with the V350-PRO in mode 200. Mode 200 is a constant current test mode. This mode can be accessed from the front panel of the V350 by pressing and holding the Mode Select button while turning the machine on. Then, rotate the output knob while still holding the Mode Select button in until the displays read "Mode 200". Release the Mode Select Button and the machine will be in mode 200. With the V350-PRO in mode 200, apply the grid load across the output of the V350-PRO, set machine output to 300 amps and enable WELD TERMINALS. Adjust the grid load to obtain 300 amps on the external ammeter and check feedback voltages per Table F.5.
  - A. Pin 1 (lead 801) to Pin 6 (lead 806) should read 2.4 VDC (machine loaded to 300 amps).
10. If for any reason the machine cannot be loaded to 300 amps, Table F.5. shows what feedback voltage is produced at various current loads.
11. If the correct supply voltages are applied to the current transducer, and with the machine loaded, the feedback voltage is missing or not correct the current transducer may be faulty. Before replacing the current transducer, check the leads and plugs between the control board (J8) and the current transducer (J90). See The Wiring Diagram. For access to plug J90 and the current transducer refer to: ***Current Transducer Removal and Replacement Procedure.***
12. Remove input power to the V350-PRO.
13. Replace the control box top and any cable ties previously removed.
14. Install the case wraparound cover using the 5/16" nut driver.

V350-PRO



Return to Section TOC  
Return to Master TOC

Return to Section TOC  
Return to Master TOC

Return to Section TOC  
Return to Master TOC

Return to Section TOC  
Return to Master TOC

V350-PRO



# TROUBLESHOOTING AND REPAIR

## FAN CONTROL AND MOTOR TEST



### WARNING

Service and repair should be performed by only Lincoln Electric factory trained personnel. Unauthorized repairs performed on this equipment may result in danger to the technician or machine operator and will invalidate your factory warranty. For your safety and to avoid electrical shock, please observe all safety notes and precautions detailed throughout this manual.

If for any reason you do not understand the test procedures or are unable to perform the test/repairs safely, contact the Lincoln Electric Service Department for electrical troubleshooting assistance before you proceed. Call 1-800-833-9353 (WELD).

---

### DESCRIPTION

This test will help determine if the fan motor, control board, switch board, or associated leads and connectors are functioning correctly.

### MATERIALS NEEDED

Voltmeter

5/16" Nut Driver

This procedure takes approximately 40 minutes to perform.

V350-PRO



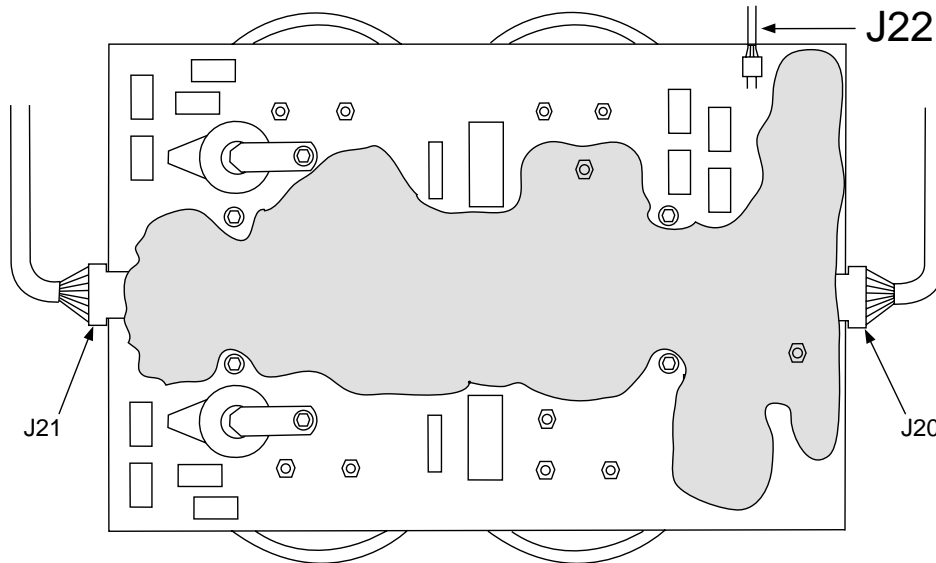
# TROUBLESHOOTING AND REPAIR

## FAN CONTROL AND MOTOR TEST (continued)

### TEST PROCEDURE

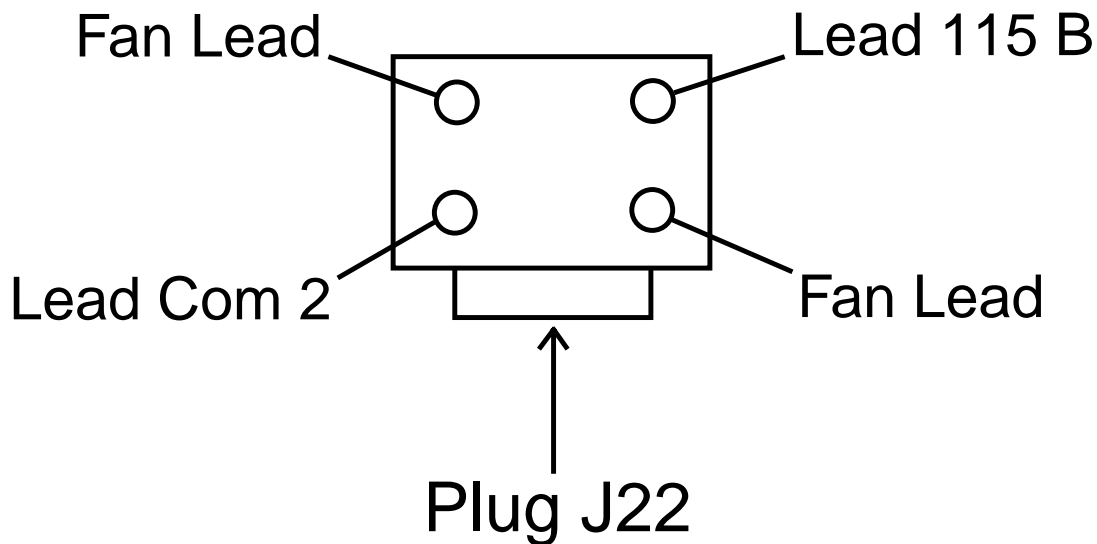
1. Remove the input power to the V350-PRO machine.
2. Using the 5/16" nut driver, remove the case wraparound cover.
3. Perform the **Input Filter Capacitor Discharge Procedure**.
4. Locate plug J22 on the main switch board. Do not remove the plug from the board. See Figure F.12.

FIGURE F.12 PLUG J22 LOCATION



5. Carefully apply the correct input power to the machine.
6. Carefully check for 115VAC at plug J22 pin-2 to J22 pin-3. (leads 115B to COM 2) See Figure F.13. **WARNING: HIGH VOLTAGE IS PRESENT AT THE MAIN SWITCH BOARD.**

FIGURE F.13 PLUG J22



V350-PRO



Return to Section TOC

Return to Section TOC

Return to Section TOC

Return to Section TOC

Return to Master TOC

Return to Master TOC

Return to Master TOC

Return to Master TOC



# TROUBLESHOOTING AND REPAIR

## FAN CONTROL AND MOTOR TEST (continued)

7. If the 115VAC is low or not present perform **The Auxiliary Transformer Test**. Also check plug J22 and associated leads for loose or faulty connections. See the Wiring Diagram.
8. Energize the weld output terminals (Select Weld Terminals ON) and carefully check for 115VAC at plug J22 pin-1 to J22 pin-4 (fan leads). **See Figure F.13**. If the 115VAC is present and the fan is not running then the fan motor may be faulty. Also check the associated leads between plug J22 and the fan motor for loose or faulty connections. See the Wiring Diagram. **WARNING: HIGH VOLTAGE IS PRESENT AT THE SWITCH BOARD.**
9. If the 115VAC is NOT present in the previous step then proceed to the fan control test.
2. Energize the weld output terminals (Select Weld Terminals ON) and carefully check for +15VAC at plug J20 pin-6+ to J20 pin-2- (leads 715 to 716). See Figure F.14. If the 15VAC is present and the fan is not running then the switch board may be faulty. If the 15VDC is not present when the weld terminals are energized then the control board may be faulty. Also check plugs J20, J7, and all associated leads for loose or faulty connections. See the Wiring Diagram.

**WARNING: HIGH VOLTAGE IS PRESENT AT THE SWITCH BOARD.**

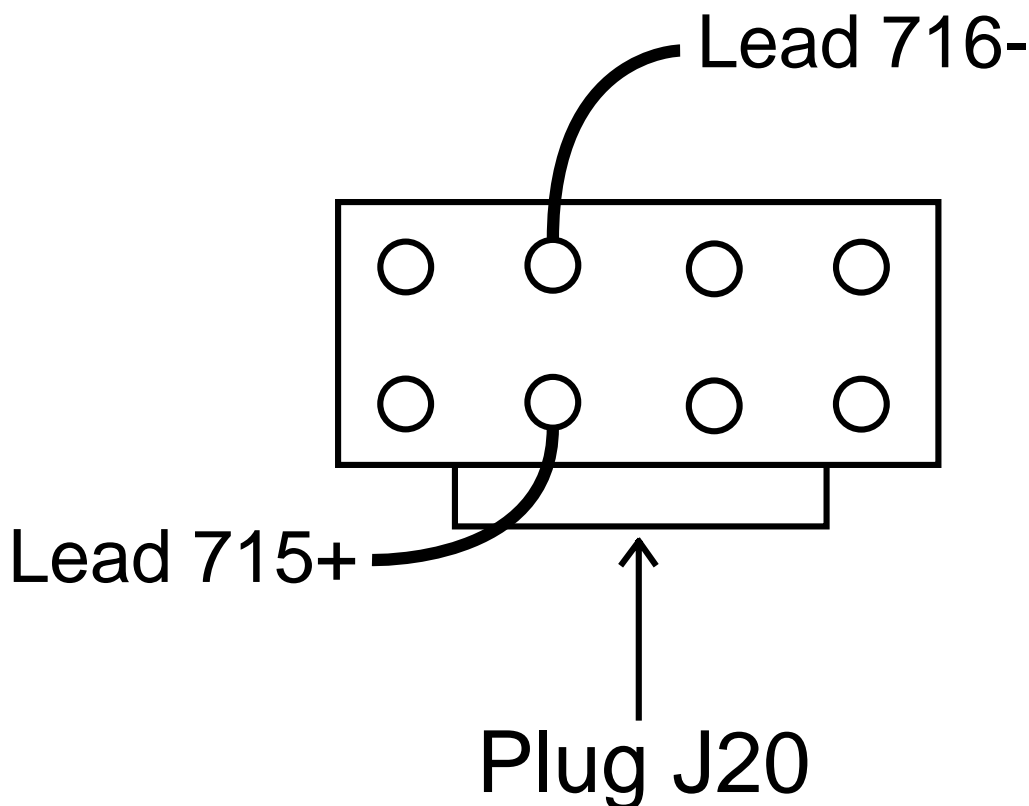
3. Remove the input power to the V350-PRO.

**Note:** The fan motor may be accessed by the removal of the rear panel detailed in *The Current Transducer Removal and Replacement Procedure*.

### FAN CONTROL TEST PROCEDURE

1. Locate plug J20 on the switch board. Do not remove the plug from the switch board. See **Figure F.12** and Figure F.14.
4. Replace the case wrap-around cover.

FIGURE F.14 PLUG J20



V350-PRO

**LINCOLN**<sup>®</sup>  
**ELECTRIC**

Return to Section TOC  
Return to Master TOC

Return to Section TOC  
Return to Master TOC

Return to Section TOC  
Return to Master TOC

Return to Section TOC  
Return to Master TOC

V350-PRO



# TROUBLESHOOTING AND REPAIR

## SPI CABLE RESISTANCE AND VOLTAGE TEST



### WARNING

Service and repair should be performed by only Lincoln Electric factory trained personnel. Unauthorized repairs performed on this equipment may result in danger to the technician or machine operator and will invalidate your factory warranty. For your safety and to avoid electrical shock, please observe all safety notes and precautions detailed throughout this manual.

If for any reason you do not understand the test procedures or are unable to perform the test/repairs safely, contact the Lincoln Electric Service Department for electrical troubleshooting assistance before you proceed. Call 1-800-833-9353 (WELD).

### DESCRIPTION

This test will help determine if there is a possible "open" in the SPI cable and also determine if the correct supply voltages are being applied to the boards in the SPI network.

### MATERIALS NEEDED

Volt/Ohmmeter

5/16" Nut Driver

This procedure takes approximately 35 minutes to perform.

V350-PRO



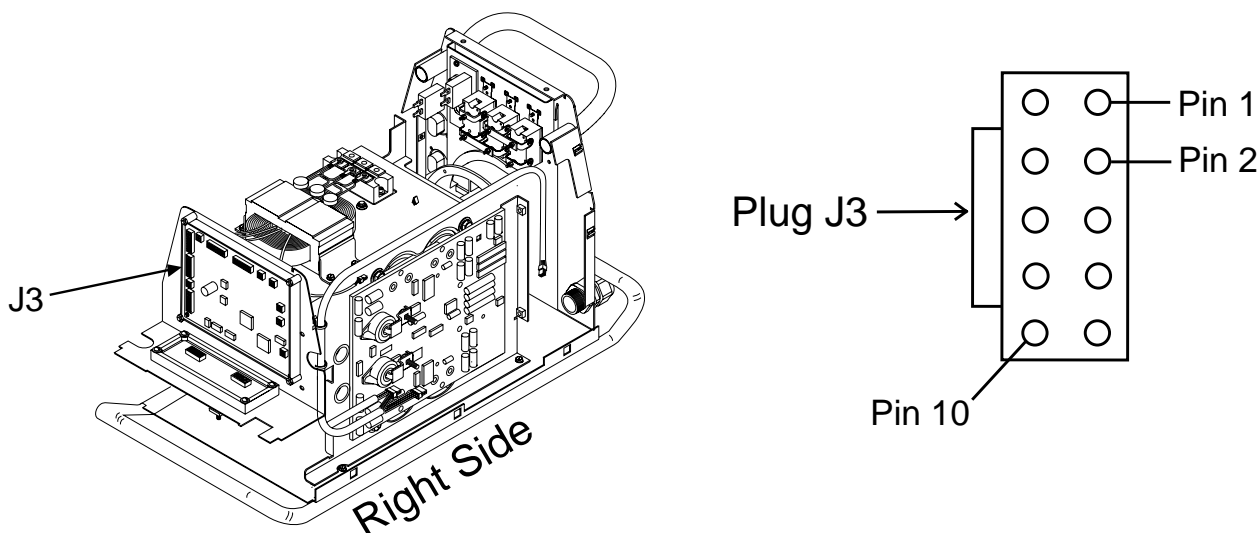
# TROUBLESHOOTING AND REPAIR

## SPI CABLE RESISTANCE AND VOLTAGE TEST (*continued*)

### TEST PROCEDURE

1. Remove the input power to the V350-PRO.
2. Using the 5/16" nut driver, remove the case wraparound cover.
3. Perform the **Capacitor Discharge Procedure**.
4. Using a 5/16" nut driver, remove the control box top. Cut any necessary cable ties.
5. Perform the **Display Board Removal Procedure**. Do not remove the SPI ribbon cable connecting the display board to the status board. If a remote board is present, the SPI cable plug connecting the remote board to the display board will have to be removed from the display board.
6. Locate and remove plug J3 from the control board. See Figure F.15.
7. Check the resistance and continuity of the SPI cable by testing with the ohmmeter from each pin on plug J3 to the corresponding pins on the plug removed from the display board. See the machine schematic drawing.
8. The resistance reading pin to corresponding pin should be zero ohms or very low resistance. If the resistance reading is high or "open" check the plug connections to the SPI network PC boards. If the connections are OK and the resistance is high or "open" the SPI cable may be faulty.
9. Using the ohmmeter check the continuity of the remote board SPI cable from the plug (previously connected to the display board) to the plug on the remote board.
10. Reconnect the plugs into the display board and perform the **Display Board Replacement Procedure**.
11. With plug J3 still removed from the control board, carefully apply the correct input power to V350-PRO.
12. Turn on the machine.
13. Carefully check for the presence of +15VDC from plug J3 pin -1(+) to plug J3 pin -10(-) at the control board receptacle. See Figure F.15.
14. Carefully check for the presence of +5VDC from plug J3 pin -2(+) to plug J3 pin -10(-) at the control board receptacle. See Figure F.15.
15. If either of these voltages are low or not present, the control board may be faulty. Replace.
16. Remove the input power to the V350-PRO machine.
17. Replace plug J3 into the control board.
18. Replace the control box top and any cable ties previously removed.
19. Replace the case wrap-around cover.

FIGURE F.15 Plug J3



V350-PRO

**LINCOLN**  
**ELECTRIC**

# TROUBLESHOOTING AND REPAIR

## VOLTAGE AND CURRENT CALIBRATION PROCEDURE



### WARNING

Service and repair should be performed by only Lincoln Electric factory trained personnel. Unauthorized repairs performed on this equipment may result in danger to the technician or machine operator and will invalidate your factory warranty. For your safety and to avoid electrical shock, please observe all safety notes and precautions detailed throughout this manual.

If for any reason you do not understand the test procedures or are unable to perform the test/repairs safely, contact the Lincoln Electric Service Department for electrical troubleshooting assistance before you proceed. Call 1-800-833-9353 (WELD).

---

### DESCRIPTION

This test will help determine if the machine is capable of producing welding output and to check and adjust, if necessary, the voltage and or current calibration.

### MATERIALS NEEDED

- Resistive Load Bank
- Calibrated Test Voltmeter
- Calibrated Test Ammeter

This procedure takes approximately 20 minutes to perform.

V350-PRO



Return to Section TOC  
Return to Master TOC  
Return to Section TOC  
Return to Master TOC  
Return to Section TOC  
Return to Master TOC  
Return to Section TOC  
Return to Master TOC

# TROUBLESHOOTING AND REPAIR

## VOLTAGE AND CURRENT CALIBRATION PROCEDURE (*continued*)

### CALIBRATION CHECK

The calibration of the V350-PRO can be checked using a resistive load bank with the V350-PRO in mode 200. Mode 200 is a constant current test mode.

1. Press and hold in the Mode Select button.
2. Turn on the V350-PRO.
3. Rotate the output knob, while still holding the mode select button in, until the displays read "mode 200".
4. Release the Mode Select button and the machine will be in mode 200.
5. With the machine in mode 200 apply a resistive load to the welding output terminals (approximately .087 ohms) set the machine output to 300 amps and enable the Weld Terminals. (Weld Terminals Select ON).
6. Using the test meters note the output voltage and current.
7. The V350-PRO voltmeter must match the test meter reading to within +/- 1 volt.
8. The V350-PRO ammeter must match the test meter within +/- 5 amps.
9. If the voltmeter does not meet the specification then proceed to the ***Voltage Calibration Procedure***.
10. If the ammeter does not meet the specification then proceed to the ***Current Calibration Procedure***.

NOTE: Before attempting to calibrate the voltage or current setting of the V350-PRO, be sure to read the entire voltage or current calibration section. If the steps are not completed quickly, the machine will automatically leave the calibration mode without changing the calibration settings. The voltage and current calibration settings of the V350-PRO are completely independent of each other. Adjusting one will not affect the other.

### VOLTAGE CALIBRATION

1. Connect the resistive load band (approximately .087 ohms) and test voltmeter to the welding output terminals.
2. Press and hold in the Mode Select button.
3. Turn on the V350-PRO.
4. Rotate the Output Control knob until the display reads "vol cAL".
5. Release the Mode Select button.
6. Adjust the output control knob until the actual output voltage reading on the test volt meter is 20volts +/- .5 volts.
7. Wait for the machine's output to be automatically turned off and then back on.
8. Adjust the Output Control knob again if necessary to make the actual voltage output 20 volts +/- .5 volts.
9. Wait for the machine's output to be automatically turned off and then back on.
10. Repeat the above two steps if necessary.
11. Press and release the Mode Select button to save the calibration.

**NOTE:** If the Mode Select button is not pressed within 30 seconds after adjusting the Output Control knob the machine will leave the calibration mode and use the previous calibration settings.

V350-PRO



# TROUBLESHOOTING AND REPAIR

## VOLTAGE AND CURRENT CALIBRATION PROCEDURE *(continued)*

### CURRENT CALIBRATION PROCEDURE

1. Connect the resistive load band (approximately .087 ohms) and test ammeter to the welding output terminals.
2. Press and hold in the Mode Select button.
3. Turn on the V350-PRO.
4. Rotate the Output Control knob until the display reads "cur cAL".
5. Release the Mode Select button.
6. The left display will change to "IcAL" to indicate that current calibration is in progress.
7. The right display will scroll the following message: Adj oCP SorEAL cur-300A.
8. Adjust the Output Control knob until the actual output current reading on the test ammeter is 300amps +/-2A.
9. Wait for the machines output to be automatically turned off and then back on.
10. Adjust the Output Control knob again if necessary to make the actual output current reading on the test ammeter 300 amps +/-2A.
11. Wait for the machines output to be automatically turned off and then back on.
12. Repeat the above two steps if necessary.
13. Press and release the Mode Select button to save the calibration.
14. The left display will scroll the message IcAL SAVED.
15. The machine will reset to normal operation.

**NOTE:** If the Mode Select button is not pressed within 30 seconds after adjusting the Output Control knob the machine will leave the calibration mode and use the previous calibration settings.

V350-PRO



Return to Section TOC  
Return to Master TOC  
Return to Section TOC  
Return to Master TOC  
Return to Section TOC  
Return to Master TOC  
Return to Section TOC  
Return to Master TOC  
Return to Section TOC  
Return to Master TOC

V350-PRO





# TROUBLESHOOTING & REPAIR

## CONTROL BOARD REMOVAL AND REPLACEMENT



### WARNING

Service and repair should be performed by only Lincoln Electric factory trained personnel. Unauthorized repairs performed on this equipment may result in danger to the technician or machine operator and will invalidate your factory warranty. For your safety and to avoid electrical shock, please observe all safety notes and precautions detailed throughout this manual.

If for any reason you do not understand the test procedures or are unable to perform the test/repairs safely, contact the Lincoln Electric Service Department for electrical troubleshooting assistance before you proceed. Call 1-800-833-9353 (WELD).

### DESCRIPTION

The following procedure will aid the technician in removing the control board for maintenance or replacement.

### MATERIALS NEEDED

- 5/16" Nut Driver
- 3/8" Nut Drive
- Flathead Screwdriver
- Phillips Head Screwdriver

This procedure takes approximately 45 minutes to perform.

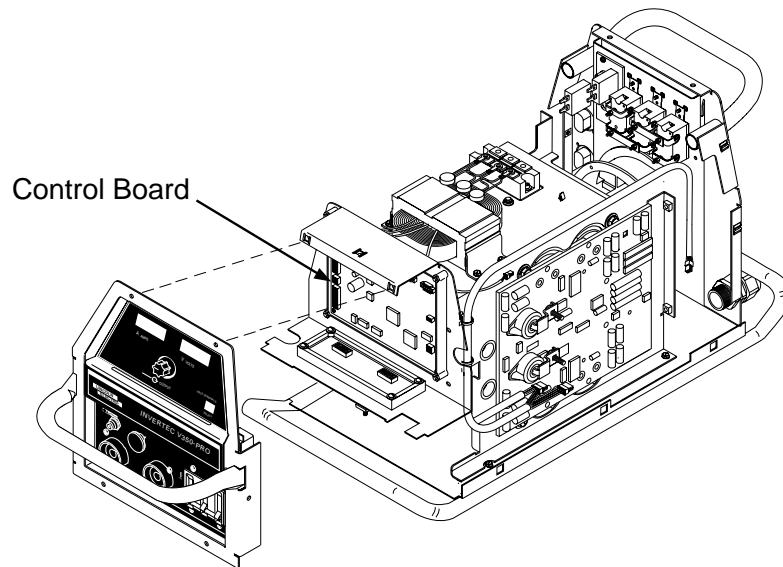
V350-PRO



# TROUBLESHOOTING & REPAIR

## CONTROL BOARD REMOVAL AND REPLACEMENT *(continued)*

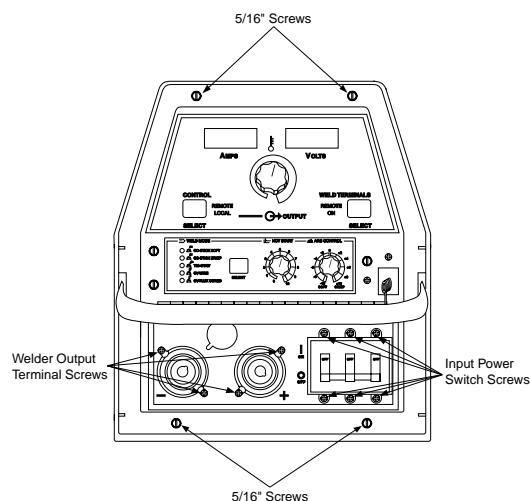
FIGURE F.16 - CONTROL BOARD LOCATION



### PROCEDURE

1. Remove input power to the V350-PRO.
2. Using a 5/16" nut driver remove the case wrap-around cover.
3. Perform the ***Input Filter Capacitor Discharge Procedure*** detailed earlier in this section.
4. Locate the control board behind the front panel of the machine. See Figure F.16.
5. Using a 5/16" nut driver remove the four screws from the top and bottom of the front of the machine. See Figure F.17.
6. Using a phillips head screwdriver remove the six screws and their washers from around the input power switch. See Figure F.17.
7. Using a phillips head screwdriver remove the four screws from around the two welder output terminals on the front of the machine. See Figure F.17.

FIGURE F.17 CASE FRONT SCREW REMOVAL



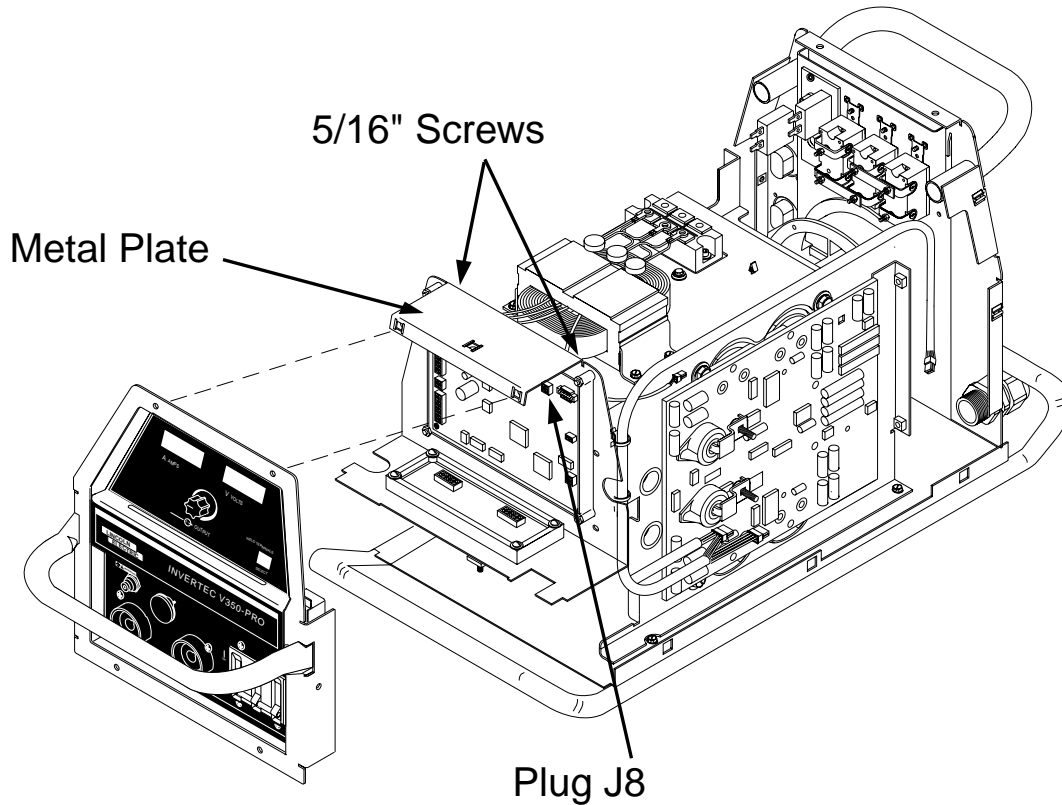
V350-PRO

**LINCOLN**  
**ELECTRIC**

# TROUBLESHOOTING & REPAIR

## CONTROL BOARD REMOVAL AND REPLACEMENT (continued)

FIGURE F.18. - METAL PLATE LOCATION



### ⚠ CAUTION

Observe static precautions detailed in *PC Board Troubleshooting Procedures* at the beginning of this section.

8. The front of the machine may now gently be pulled forward to gain access to the Control Board. Note: The front of the machine cannot be removed completely, only pulled forward a few inches.

9. Using a 5/16" nut driver or a flathead screwdriver remove the metal plate on the top of the machine that holds the case front assembly to the center panel. There are two nylon cable ties that will need to be cut in order for the metal plate to be removed. See Figure F.18.

10. The control board is now accessible to replace.

V350-PRO

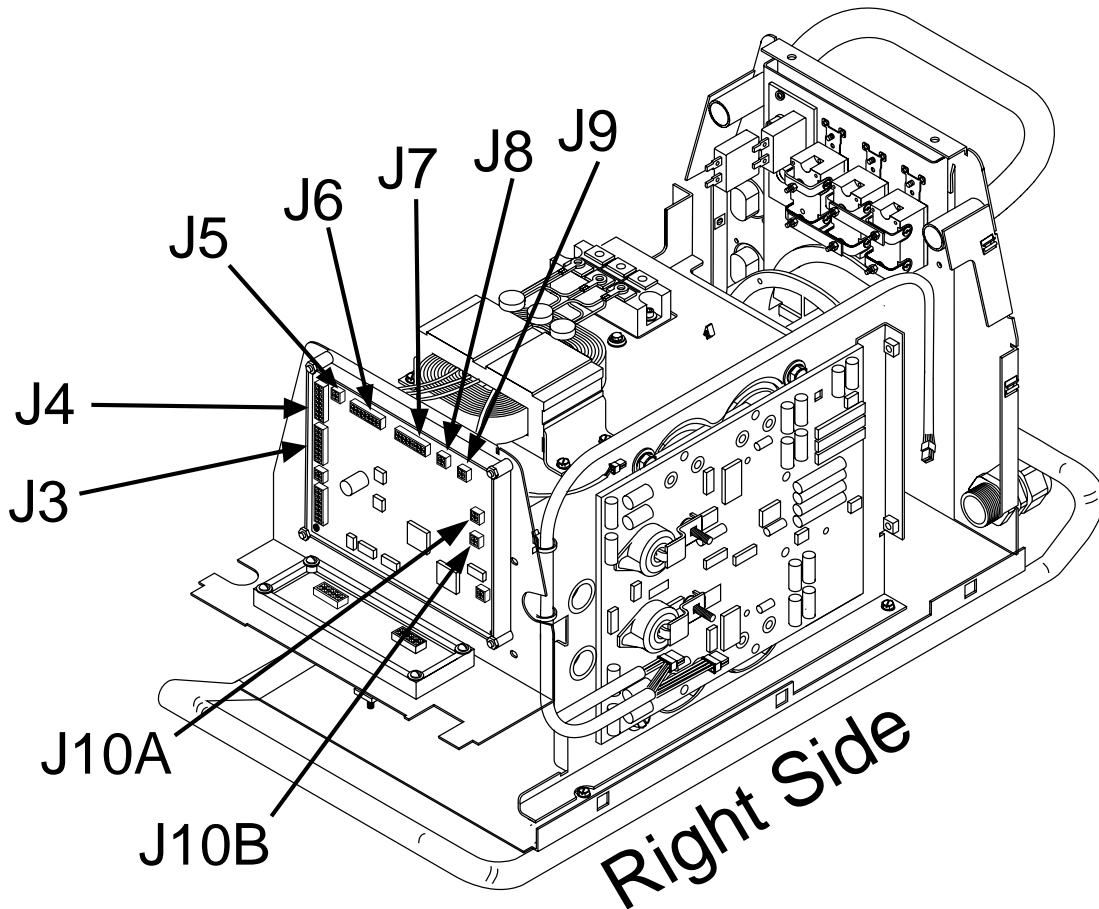
**LINCOLN**  
**ELECTRIC**

## TROUBLESHOOTING & REPAIR

### CONTROL BOARD REMOVAL AND REPLACEMENT *(continued)*

- 11.. Beginning at the right side of the machine remove plugs J10A and J10B. Note: Be sure to label each plugs position upon removal. See Figure F.19.
12. Working your way across the top of the board from right to left, label and remove plugs #J9, #J8, #J7, #J6, and #J5. See Figure F.19.
13. Working your way down the left side of the board, remove plugs #J4 and #J3. See Figure F.19.

FIGURE F.19 CONTROL BOARD PLUG LOCATION



V350-PRO



Return to Section TOC

Return to Section TOC

Return to Section TOC

Return to Section TOC

Return to Master TOC

Return to Master TOC

Return to Master TOC

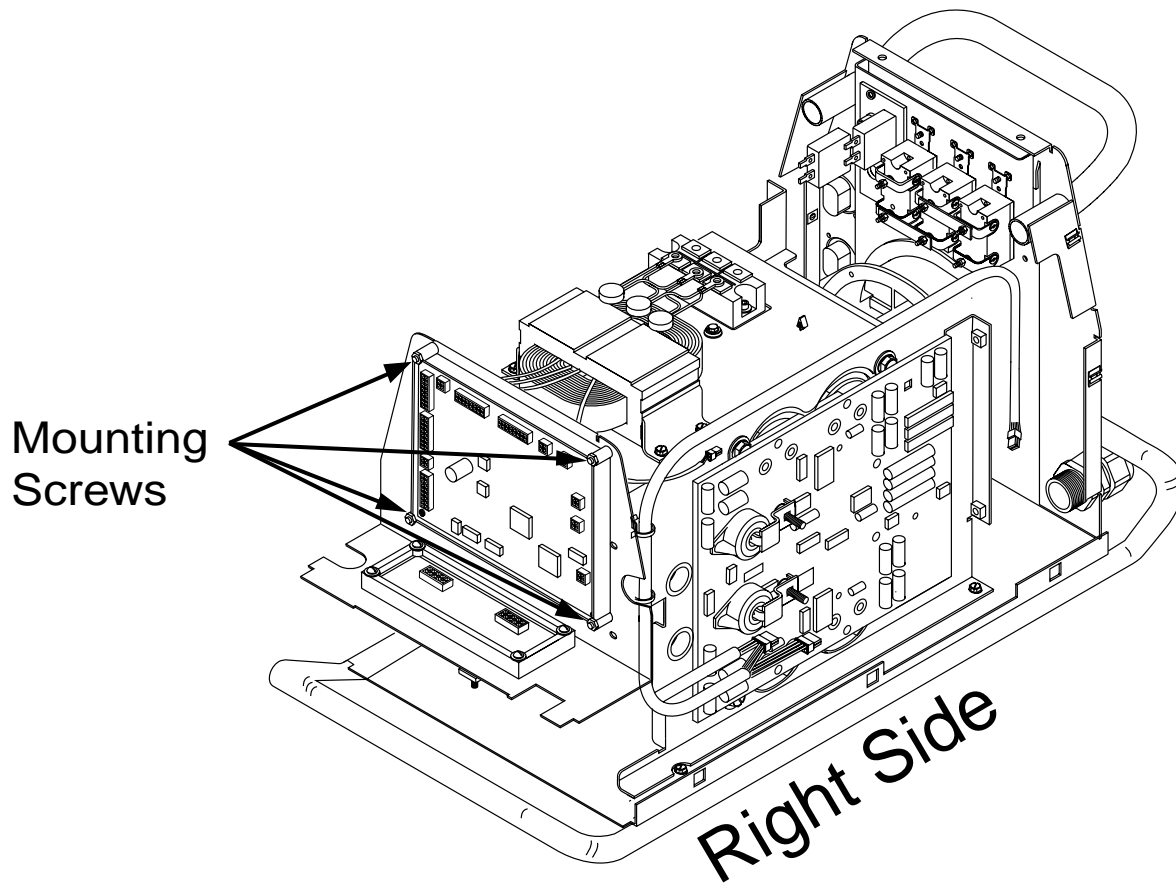
Return to Master TOC

## TROUBLESHOOTING & REPAIR

### CONTROL BOARD REMOVAL AND REPLACEMENT *(continued)*

14. Using a 3/8" nut driver remove the four mounting nuts from the four corners of the control board. See Figure F.20.
15. Remove the control board. Note: Gentle prying from behind the board using a flathead screwdriver may be required.
16. Replace the control board.

FIGURE F.20 CONTROL BOARD MOUNTING SCREW LOCATION



V350-PRO

**LINCOLN**<sup>®</sup>  
**ELECTRIC**

## TROUBLESHOOTING & REPAIR

### CONTROL BOARD REMOVAL AND REPLACEMENT (*continued*)

17. Replace the four 3/8" mounting nuts at the corners of the board.
18. Replace plugs #J3, #J4, #J5, #J6, #J7, #J8, #J9, #J10B, and #J10A previously removed.
19. Using a 5/16" nut driver, replace the metal plate on the top of the machine that holds the case front assembly to the center panel. Replace all cable ties previously removed.
20. Replace the four phillips head screws removed from the front of the machine located around the two welder output terminals.
21. Replace the six phillips head screws and their washers from around the input power switch.
22. Using a 5/16" nut driver replace the four screws previously removed from the front of the machine
23. Replace the case wraparound cover.

Return to Section TOC

Return to Section TOC

Return to Section TOC

Return to Section TOC

Return to Master TOC

Return to Master TOC

Return to Master TOC

Return to Master TOC

V350-PRO



# TROUBLESHOOTING & REPAIR

## DISPLAY BOARD REMOVAL AND REPLACEMENT



### WARNING

Service and repair should be performed by only Lincoln Electric factory trained personnel. Unauthorized repairs performed on this equipment may result in danger to the technician or machine operator and will invalidate your factory warranty. For your safety and to avoid electrical shock, please observe all safety notes and precautions detailed throughout this manual.

If for any reason you do not understand the test procedures or are unable to perform the test/repairs safely, contact the Lincoln Electric Service Department for electrical troubleshooting assistance before you proceed. Call or 1-800-833-9353 (WELD).

### DESCRIPTION

The following procedure will aid the technician in removing the display board for maintenance or replacement.

### MATERIALS NEEDED

- 5/16" Nut Driver
- Flathead Screwdriver
- Phillips Head Screwdriver

This procedure takes approximately 30 minutes to perform.

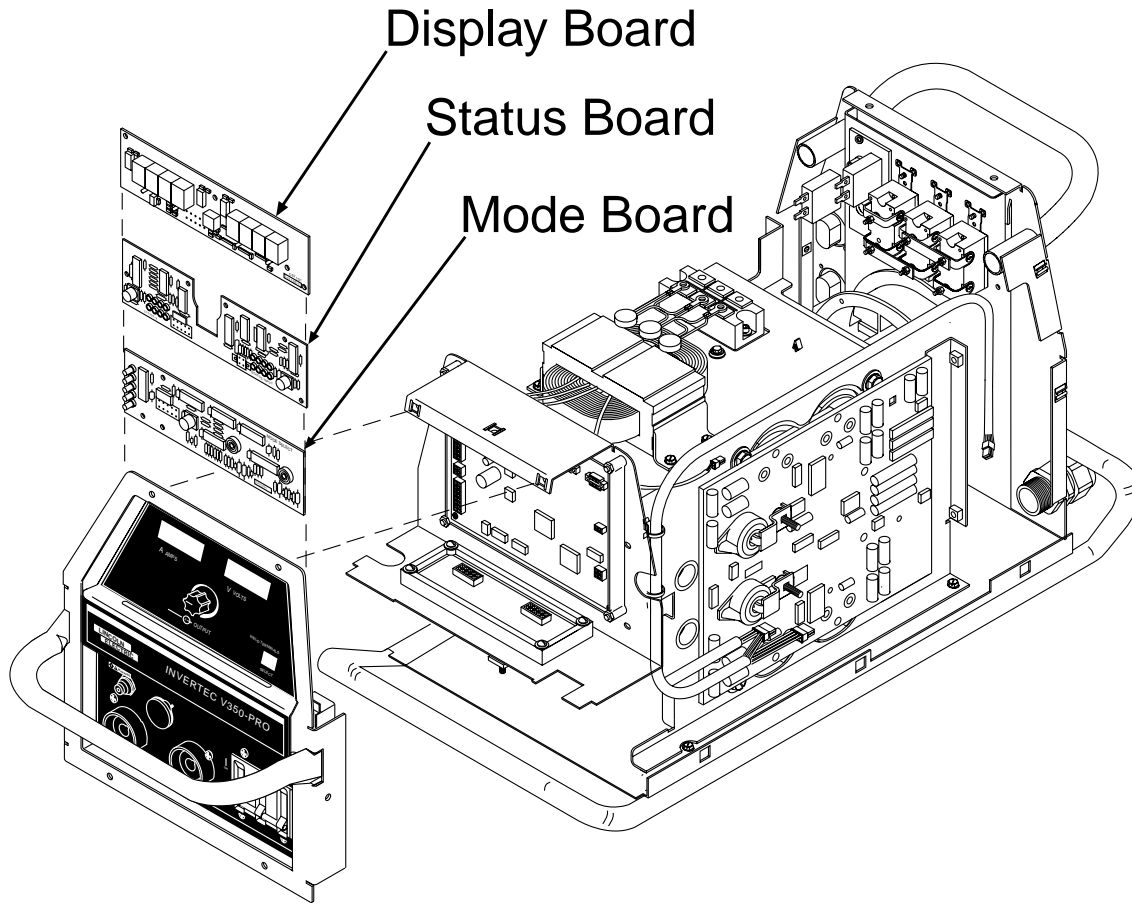
V350-PRO



## TROUBLESHOOTING &amp; REPAIR

## DISPLAY BOARD REMOVAL &amp; REPLACEMENT (continued)

FIGURE F.21 - DISPLAY BOARD LOCATION



## PROCEDURE

1. Remove input power to the V350-PRO.
2. Using a 5/16" nut driver remove the case wraparound cover.
3. Perform the *Input Filter Capacitor Discharge Procedure* detailed earlier in this section.
4. Locate the display board behind the front panel of the machine. See Figure F.21.

V350-PRO

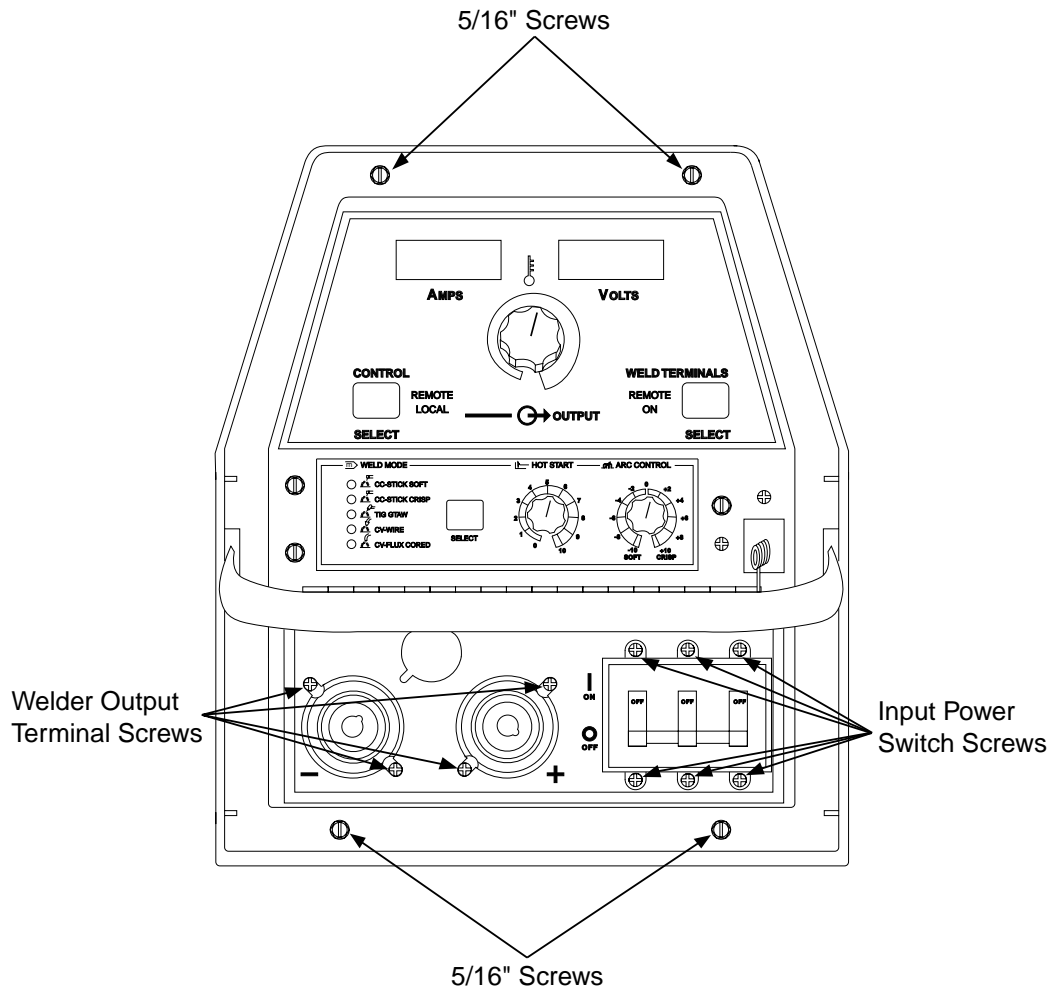
**LINCOLN**  
**ELECTRIC**



# TROUBLESHOOTING & REPAIR

## DISPLAY BOARD REMOVAL & REPLACEMENT *(continued)*

FIGURE F.22 – CASE FRONT SCREW LOCATION



5. Using a 5/16" nut driver remove the four screws from the top and bottom of the front of the machine. See Figure F.22.
6. Using a phillips head screwdriver remove the six screws and their washers from around the input power switch. See Figure F.22.
7. Using a phillips head screwdriver remove the four screws from around the two welder output terminals on the front of the machine. See Figure F.22.
8. The front of the machine may now gently be pulled forward to gain access to the display Board. Note: The front of the machine cannot be removed completely, only pulled forward a few inches.
9. The display board is now accessible to replace.

V350-PRO

**LINCOLN**  
**ELECTRIC**

## TROUBLESHOOTING & REPAIR

---

### DISPLAY BOARD REMOVAL & REPLACEMENT *(continued)*

10. Remove plug #J37 from the display board.
11. Remove plug #J3 originating from the control board located directly across from the display board.
12. Remove the display board. Note: Gentle prying from behind the board may be required.
13. Replace the display board.
14. Replace plugs #J3 and #J37 previously removed.
15. Replace the four phillips head screws removed from the front of the machine located around the two welder output terminals.
16. Replace the six phillips head screws and their washers from around the input power switch.
17. Using a 5/16" nut driver replace the four screws previously removed from the front of the machine
18. Replace the case wraparound cover.

Return to Section TOC  
Return to Master TOC

Return to Section TOC  
Return to Master TOC

Return to Section TOC  
Return to Master TOC

Return to Section TOC  
Return to Master TOC

V350-PRO



# TROUBLESHOOTING & REPAIR

## MAIN SWITCH BOARD REMOVAL AND REPLACEMENT



### WARNING

Service and repair should be performed by only Lincoln Electric factory trained personnel. Unauthorized repairs performed on this equipment may result in danger to the technician or machine operator and will invalidate your factory warranty. For your safety and to avoid electrical shock, please observe all safety notes and precautions detailed throughout this manual.

If for any reason you do not understand the test procedures or are unable to perform the test/repairs safely, contact the Lincoln Electric Service Department for electrical troubleshooting assistance before you proceed. Call 1-800-833-9353 (WELD).

---

### DESCRIPTION

The following procedure will aid the technician in removing the main switch board for maintenance or replacement.

### MATERIALS NEEDED

- 5/16" Nut Driver
- Flathead Screwdriver
- 7/16" mm Socket
- 3/16" Allen Wrench
- 3/8" Nut Driver

This procedure takes approximately 35 minutes to perform.

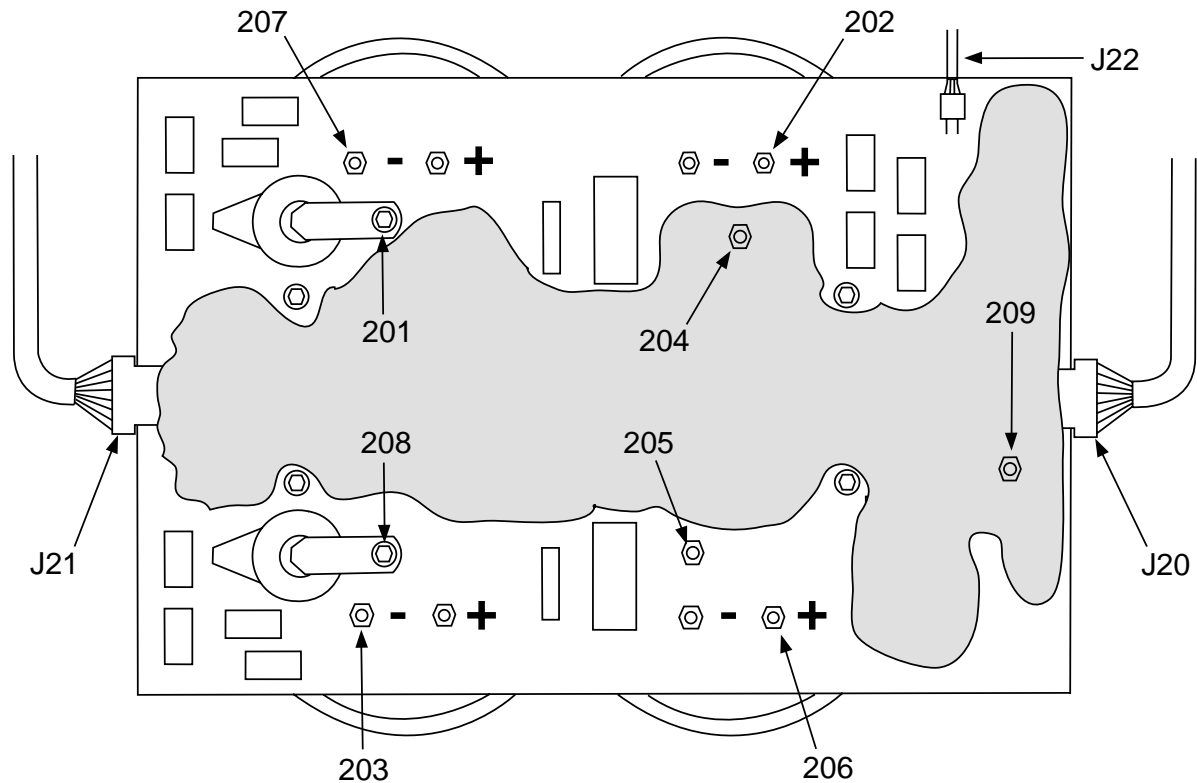
V350-PRO



## TROUBLESHOOTING &amp; REPAIR

## MAIN SWITCH BOARD REMOVAL &amp; REPLACEMENT (continued)

FIGURE F.23 – MAIN SWITCH BOARD LEAD LOCATIONS



## PROCEDURE

1. Remove the input power to the V350-PRO.
2. Using a 5/16" nut driver remove the case wrap-around cover.
3. Perform the **Input Filter Capacitor Discharge Procedure** detailed earlier in this section.
4. Locate the main switch board and all associated plug and lead connections. See figure F.23. See Wiring Diagram.
5. Using a 5/16" and 3/8" nut driver remove the input lead shield from the area at the bottom of the main switch board.
6. Using a 7/16" socket, remove leads 201, 202, 203, 204, 205, 206, 207, 208, 209 from the switch board. Note lead terminal locations and washer positions upon removal.
7. Locate and disconnect the three harness plugs associated with the main switch board. Plugs #J20, #J21, #J22. See Figure F.23.
8. Locate the eight capacitor terminals and remove the nuts using a 7/16" socket or nut driver. Note the position of the washers behind each nut for replacement.


**CAUTION**

Observe static precautions detailed in **PC Board Troubleshooting Procedures** at the beginning of this section. Failure to do so can result in permanent damage to equipment.

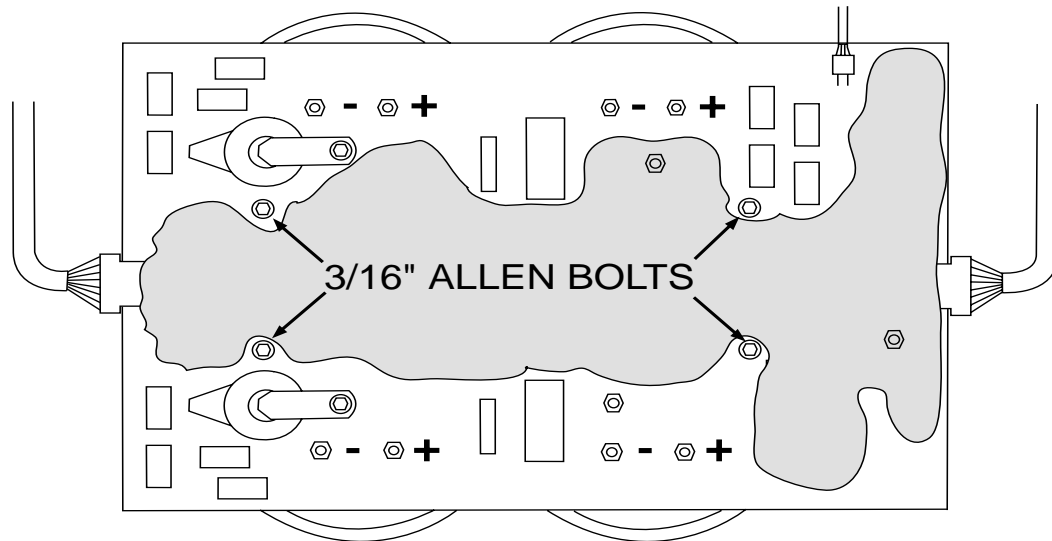
V350-PRO

**LINCOLN**  
**ELECTRIC**

# TROUBLESHOOTING & REPAIR

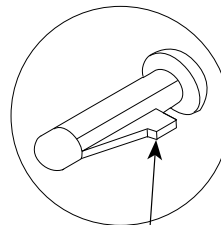
## MAIN SWITCH BOARD REMOVAL & REPLACEMENT (continued)

FIGURE F.24 – 3/16" ALLEN BOLT LOCATION



9. Using a 3/16" allen wrench remove four allen bolts and washers as shown in Figure F.24. At this point, the board is ready for removal. Carefully remove the board from the 4 nylon mounting pins. Note: Depress the retaining pins on the sides of the nylon mounts to release the board. See Figure F.25.
10. Carefully maneuver the board out of the machine.
11. Apply a thin coat of Penetrox A-13 to the IGBT heatsinks on the back of the new switch boards mating surfaces. Note: Keep compound away from the mounting holes.
12. Mount the new board on the nylon mounting pins.
13. Replace the four allen bolts and washers previously removed.
14. Replace the eight capacitor terminal nuts, washers, and necessary leads previously removed.
15. Reconnect the three harness plugs previously removed.
16. Reconnect the nine leads (#201-#209) that were previously removed.
17. Pre-torque all screws to 25 inch lbs. before tightening to 44 inch lbs.
18. Replace the case wraparound cover.

FIGURE F.25 – NYLON MOUNTING PIN



DEPRESS  
LOCKING TAB ON  
MOUNTING PIN

V350-PRO

**LINCOLN**  
**ELECTRIC**

Return to Section TOC  
Return to Master TOC

Return to Section TOC  
Return to Master TOC

Return to Section TOC  
Return to Master TOC

Return to Section TOC  
Return to Master TOC

V350-PRO



# TROUBLESHOOTING & REPAIR

## MODE BOARD REMOVAL AND REPLACEMENT



### WARNING

Service and repair should be performed by only Lincoln Electric factory trained personnel. Unauthorized repairs performed on this equipment may result in danger to the technician or machine operator and will invalidate your factory warranty. For your safety and to avoid electrical shock, please observe all safety notes and precautions detailed throughout this manual.

If for any reason you do not understand the test procedures or are unable to perform the test/repairs safely, contact the Lincoln Electric Service Department for electrical troubleshooting assistance before you proceed. Call 1-800-833-9353 (WELD).

### DESCRIPTION

The following procedure will aid the technician in removing the mode board for maintenance or replacement.

### MATERIALS NEEDED

- 5/16" Nut Driver
- Small Flathead Screwdriver
- Phillips Head Screwdriver
- 1/4" Wrench

This procedure takes approximately 30 minutes to perform.

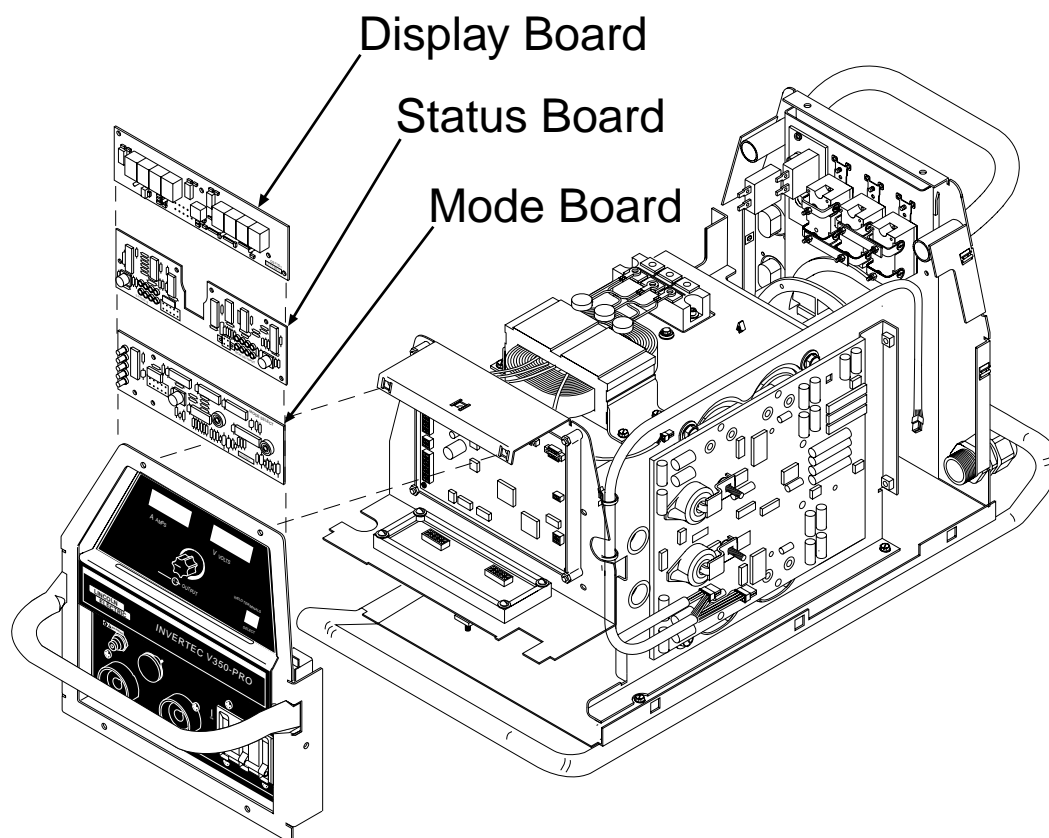
V350-PRO



# TROUBLESHOOTING & REPAIR

## MODE BOARD REMOVAL AND REPLACEMENT *(continued)*

FIGURE F.26 - MODE BOARD LOCATION



### PROCEDURE

1. Remove input power to the V350-PRO.
2. Using a 5/16" nut driver remove the case wraparound cover.
3. Perform the *Input Filter Capacitor Discharge Procedure* detailed earlier in this section.
4. Locate the mode board behind the front panel of the machine. See Figure F.26.

V350-PRO

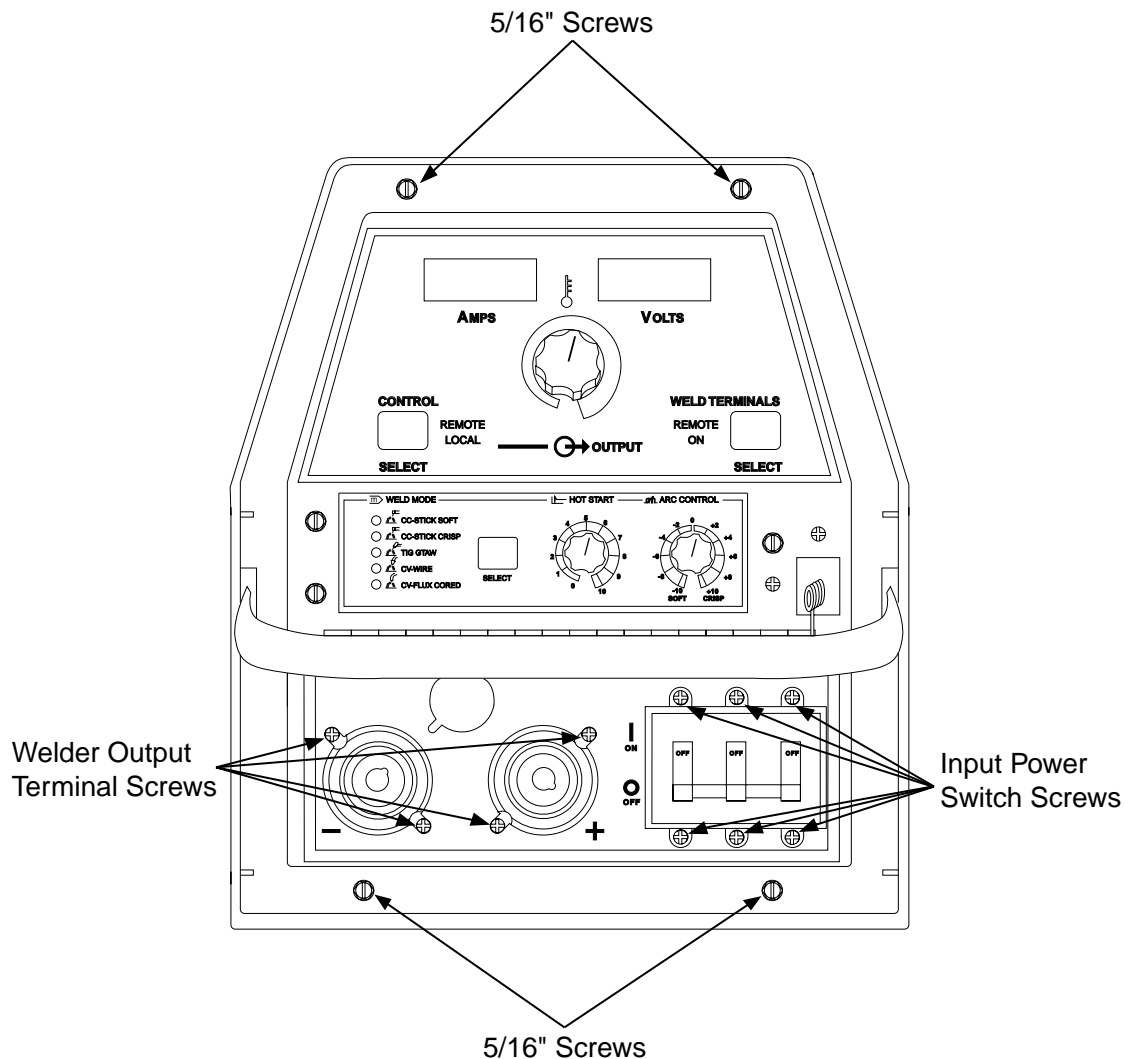




# TROUBLESHOOTING & REPAIR

## MODE BOARD REMOVAL AND REPLACEMENT *(continued)*

FIGURE F.27 – CASE FRONT SCREW REMOVAL



- Using a 5/16" nut driver remove the four screws from the top and bottom of the front of the machine. See Figure F.27.
- Using a phillips head screwdriver remove the six screws and their washers from around the input power switch. See Figure F.27.
- Using a phillips head screwdriver remove the four screws from around the two welder output terminals on the front of the machine. See Figure F.27.
- The front of the machine may now gently be pulled forward to gain access to the mode board. Note: The front of the machine cannot be removed completely, only pulled forward a few inches.

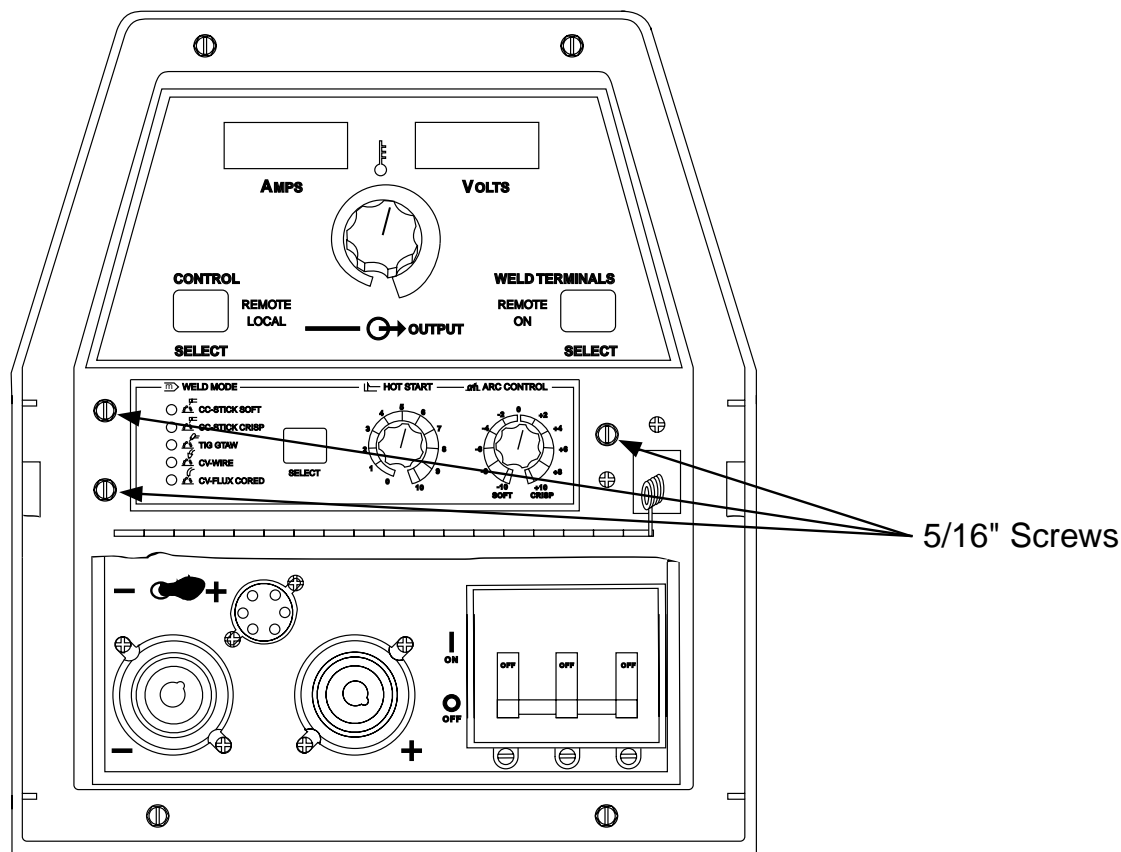
V350-PRO

**LINCOLN**  
**ELECTRIC**

# TROUBLESHOOTING & REPAIR

## MODE BOARD REMOVAL AND REPLACEMENT (continued)

FIGURE F.28. - CASE FRONT



9. Remove plug #J34 from the mode board.
10. Remove plug #J31 originating from the status board located directly above the mode board.
11. Open the cover of the weld mode display on the front of the machine.
12. Using a 5/16" nut driver, remove the three 5/16" screws as shown in Figure F.28.
13. Carefully maneuver the the mode faceplate up and away from the machine. The bottom of the plate will come out first. Note: The mode board will still be attached to its mounting plate.
14. Place both knobs in the full counter clockwise position to gain access to the mounting screws.
15. Using a small flathead screwdriver, loosen the screw in the "Hot Start" knob and the "Arc Control" knob. The knobs should slide off of their shafts. *See Figure F.29.*
16. Using a 1/4" wrench remove the nuts and their washers behind the "Hot Start" and "Arc Control" knobs.
17. Remove the mode board by gently prying from behind the board.

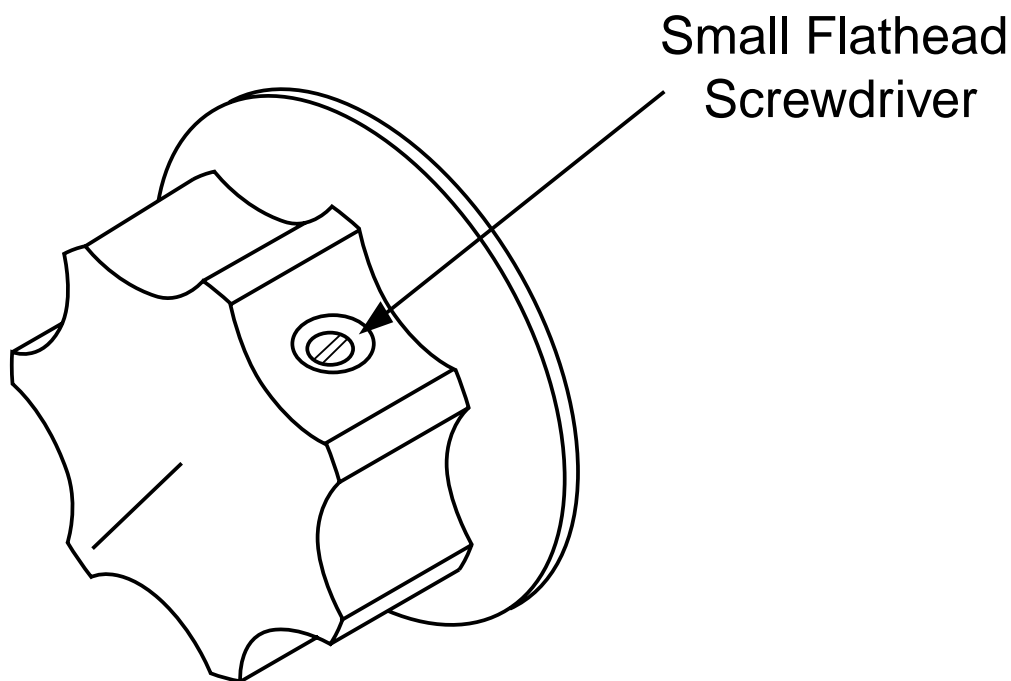
V350-PRO

**LINCOLN**  
**ELECTRIC**

# TROUBLESHOOTING & REPAIR

## MODE BOARD REMOVAL AND REPLACEMENT *(continued)*

FIGURE F.29 – SCREW IN CAP



18. Replace the mode board.
19. Replace the 1/4" nuts and their washers that mount the "Hot Start" and "Arc Control" knobs.
20. Using a small screwdriver replace the two knobs previously removed. Be sure to place both potentiometers in the full counter clockwise position and position knobs for proper calibration.
21. Replace the three 5/16" screws previously removed from the front of the machine located around the mode board knobs.
22. Replace plugs #J31 and #J34 previously removed.
23. Replace the four phillips head screws removed from the front of the machine located around the two welder output terminals.
24. Replace the six phillips head screws and their washers from around the input power switch.
25. Using a 5/16" nut driver replace the four screws previously removed from the front of the machine
26. Replace the case wraparound cover.

V350-PRO



Return to Section TOC  
Return to Master TOC  
Return to Section TOC  
Return to Master TOC  
Return to Section TOC  
Return to Master TOC  
Return to Section TOC  
Return to Master TOC

V350-PRO



# TROUBLESHOOTING & REPAIR

## STATUS BOARD REMOVAL AND REPLACEMENT



### WARNING

Service and repair should be performed by only Lincoln Electric factory trained personnel. Unauthorized repairs performed on this equipment may result in danger to the technician or machine operator and will invalidate your factory warranty. For your safety and to avoid electrical shock, please observe all safety notes and precautions detailed throughout this manual.

If for any reason you do not understand the test procedures or are unable to perform the test/repairs safely, contact the Lincoln Electric Service Department for electrical troubleshooting assistance before you proceed. Call 1-800-833-9353 (WELD).

### DESCRIPTION

The following procedure will aid the technician in removing the status board for maintenance or replacement.

### MATERIALS NEEDED

- 5/16" Nut Driver
- Flathead Screwdriver
- Phillips Head Screwdriver

This procedure takes approximately 30 minutes to perform.

V350-PRO



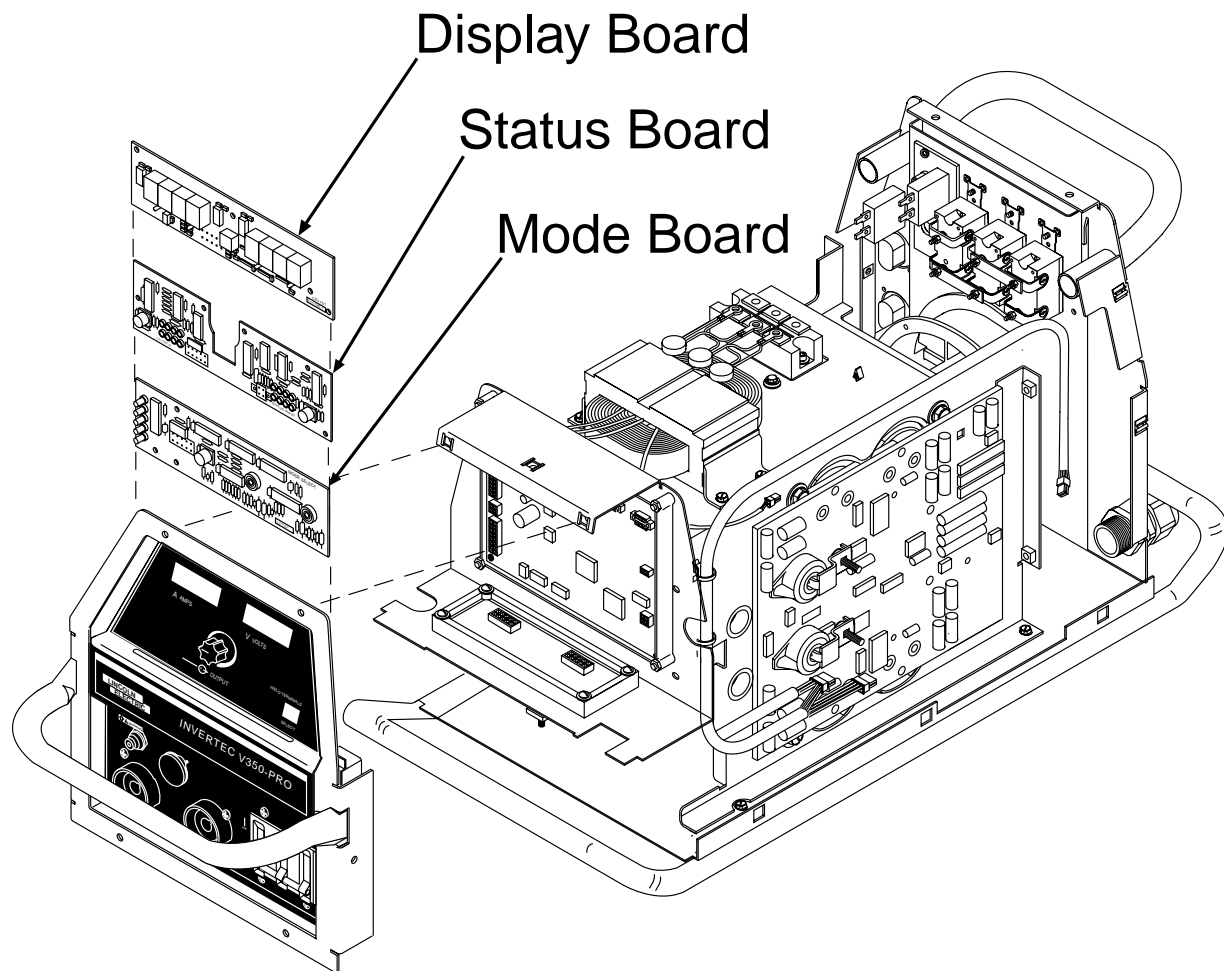
# TROUBLESHOOTING & REPAIR

## STATUS BOARD REMOVAL AND REPLACEMENT *(continued)*

### PROCEDURE

1. Remove input power to the V350-PRO.
2. Using a 5/16" nut driver remove the case wraparound cover.
3. Perform the *Input Filter Capacitor Discharge Procedure* detailed earlier in this section.
4. Locate the status board behind the front panel of the machine. See Figure F.30.

FIGURE F.30 – STATUS BOARD LOCATION



V350-PRO

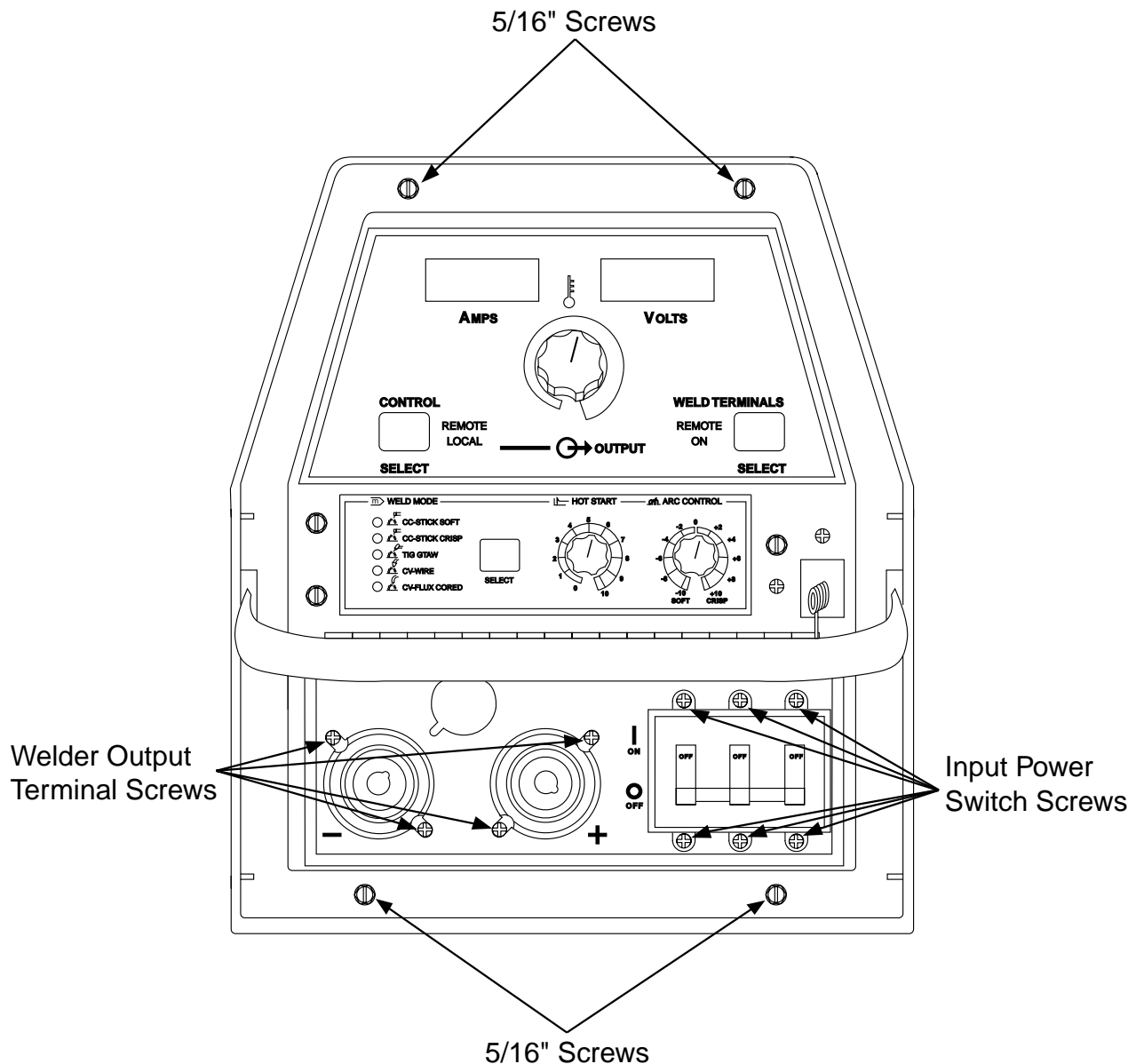
**LINCOLN**  
**ELECTRIC**

# TROUBLESHOOTING & REPAIR

## STATUS BOARD REMOVAL AND REPLACEMENT *(continued)*

5. Using a 5/16" nut driver remove the four screws from the top and bottom of the front of the machine. See Figure F.31.
6. Using a phillips head screwdriver remove the six screws and their washers from around the input power switch. See Figure F.31.
7. Using a phillips head screwdriver remove the four screws from around the two welder output terminals on the front of the machine. See Figure F.31.
8. The front of the machine may now gently be pulled forward to gain access to the status Board. Note: The front of the machine cannot be removed completely, only pulled forward a few inches.
9. The status board is now accessible to replace.

FIGURE F.31 – FRONT SCREW REMOVAL



V350-PRO

**LINCOLN**  
**ELECTRIC**

## TROUBLESHOOTING & REPAIR

### STATUS BOARD REMOVAL AND REPLACEMENT *(continued)*

10. Remove plug #J311 and plug #J31 from the status board.
11. Remove plug #J37 originating from the display board located directly above the status board.
12. Remove the status board. Note: Gentle prying from behind the board will be required.
13. Replace the status board.
14. Replace plug #J37 previously removed.
15. Replace plug #J31 and plug #J311 previously removed.
16. Replace the four phillips head screws removed from the front of the machine located around the two welder output terminals.
17. Replace the six phillips head screws and their washers from around the input power switch.
18. Using a 5/16" nut driver replace the four screws previously removed from the front of the machine
19. Replace the case wraparound cover.

Return to Section TOC  
Return to Master TOC

Return to Section TOC  
Return to Master TOC

Return to Section TOC  
Return to Master TOC

Return to Section TOC  
Return to Master TOC

V350-PRO





# TROUBLESHOOTING & REPAIR

---

## SNUBBER BOARD REMOVAL AND REPLACEMENT



### WARNING

Service and repair should be performed by only Lincoln Electric factory trained personnel. Unauthorized repairs performed on this equipment may result in danger to the technician or machine operator and will invalidate your factory warranty. For your safety and to avoid electrical shock, please observe all safety notes and precautions detailed throughout this manual.

If for any reason you do not understand the test procedures or are unable to perform the test/repairs safely, contact the Lincoln Electric Service Department for electrical troubleshooting assistance before you proceed. Call 1-800-833-9353 (WELD).

---

### DESCRIPTION

The following procedure will aid the technician in removing the snubber board for maintenance or replacement.

### MATERIALS NEEDED

5/16" Nut Driver

7/16 Socket or Nut Driver

This procedure takes approximately 15 minutes to perform.

V350-PRO



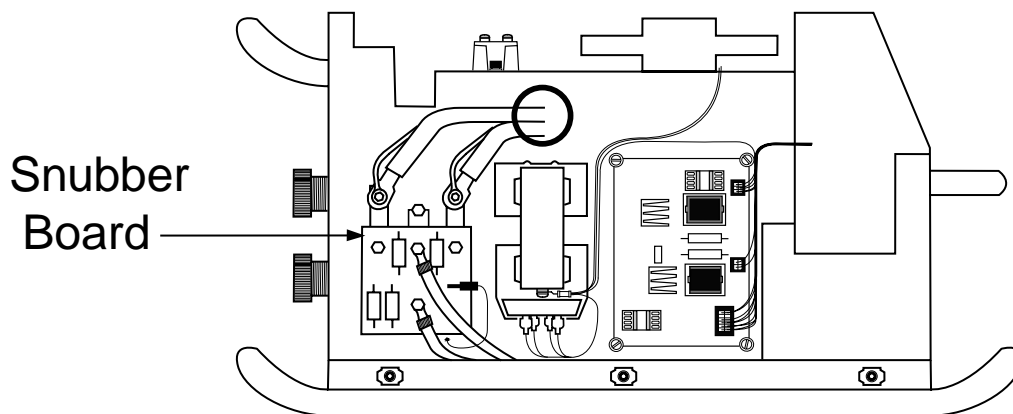
# TROUBLESHOOTING & REPAIR

## SNUBBER BOARD REMOVAL AND REPLACEMENT (continued)

### PROCEDURE

1. Remove input power to the V350-PRO.
2. Using a 5/16" nut driver remove the case wrap-around cover.
3. Perform the **Input Filter Capacitor Discharge Procedure** detailed earlier in this section.
4. Locate the snubber board.. See Figure F.32.

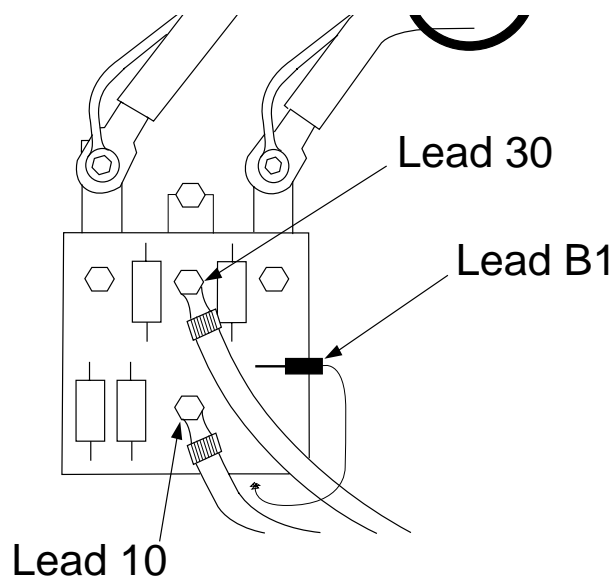
FIGURE F.32 – SNUBBER BOARD LOCATION



### LEFT SIDE

5. Remove small lead #B1 from the board. See Figure F.33.
6. Remove the four bolts using a 7/16" socket. Two of these bolts have leads #30 and #10 connected to them. Note the position of all leads and associated washers upon removal.
7. Carefully remove the snubber board.
8. Replace the snubber board.
9. Replace the bolts, leads, and washers previously removed. Torque bolt to 30-40 Inch Lbs.
10. Replace the case wraparound cover.

FIGURE F.33 – SNUBBER BOARD LEADS (CLOSE UP)



V350-PRO

**LINCOLN**  
**ELECTRIC**

# TROUBLESHOOTING & REPAIR

---

## POWER BOARD REMOVAL AND REPLACEMENT



### WARNING

Service and repair should be performed by only Lincoln Electric factory trained personnel. Unauthorized repairs performed on this equipment may result in danger to the technician or machine operator and will invalidate your factory warranty. For your safety and to avoid electrical shock, please observe all safety notes and precautions detailed throughout this manual.

If for any reason you do not understand the test procedures or are unable to perform the test/repairs safely, contact the Lincoln Electric Service Department for electrical troubleshooting assistance before you proceed. Call 1-800-833-9353 (WELD).

---

### DESCRIPTION

The following procedure will aid the technician in removing the power board for maintenance or replacement.

### MATERIALS NEEDED

- 5/16" Nut Driver
- Flathead Screwdriver

This procedure takes approximately 20 minutes to perform.

V350-PRO

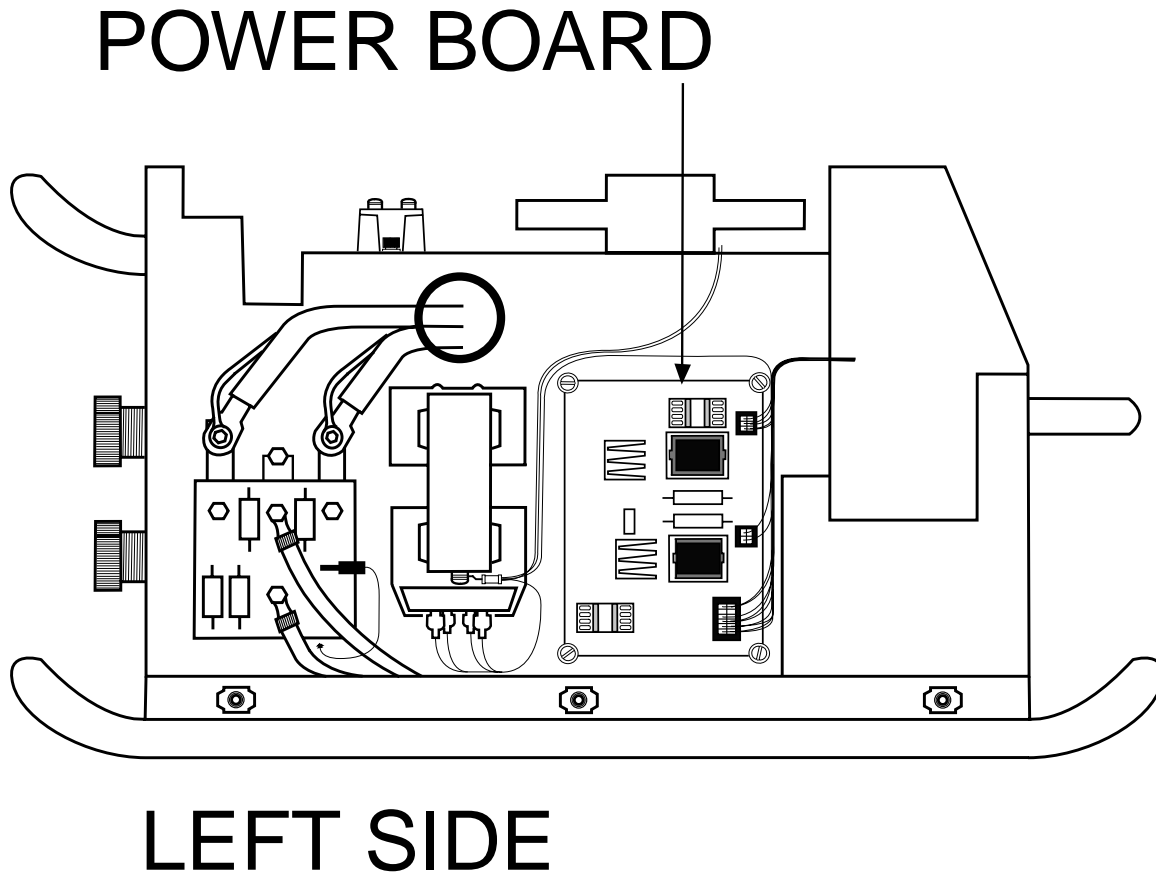


Return to Section TOC  
Return to Master TOC  
Return to Section TOC  
Return to Master TOC  
Return to Section TOC  
Return to Master TOC  
Return to Section TOC  
Return to Master TOC  
Return to Section TOC  
Return to Master TOC

# TROUBLESHOOTING & REPAIR

## POWER BOARD REMOVAL AND REPLACEMENT *(continued)*

FIGURE F.34 POWER BOARD LOCATION



### PROCEDURE

1. Remove input power to the V350-PRO.
2. Using a 5/16" nut driver remove the case wrap-around cover.
3. Perform the *Input Filter Capacitor Discharge Procedure* detailed earlier in this section.
4. Locate the power board. See Figure F.34.

V350-PRO

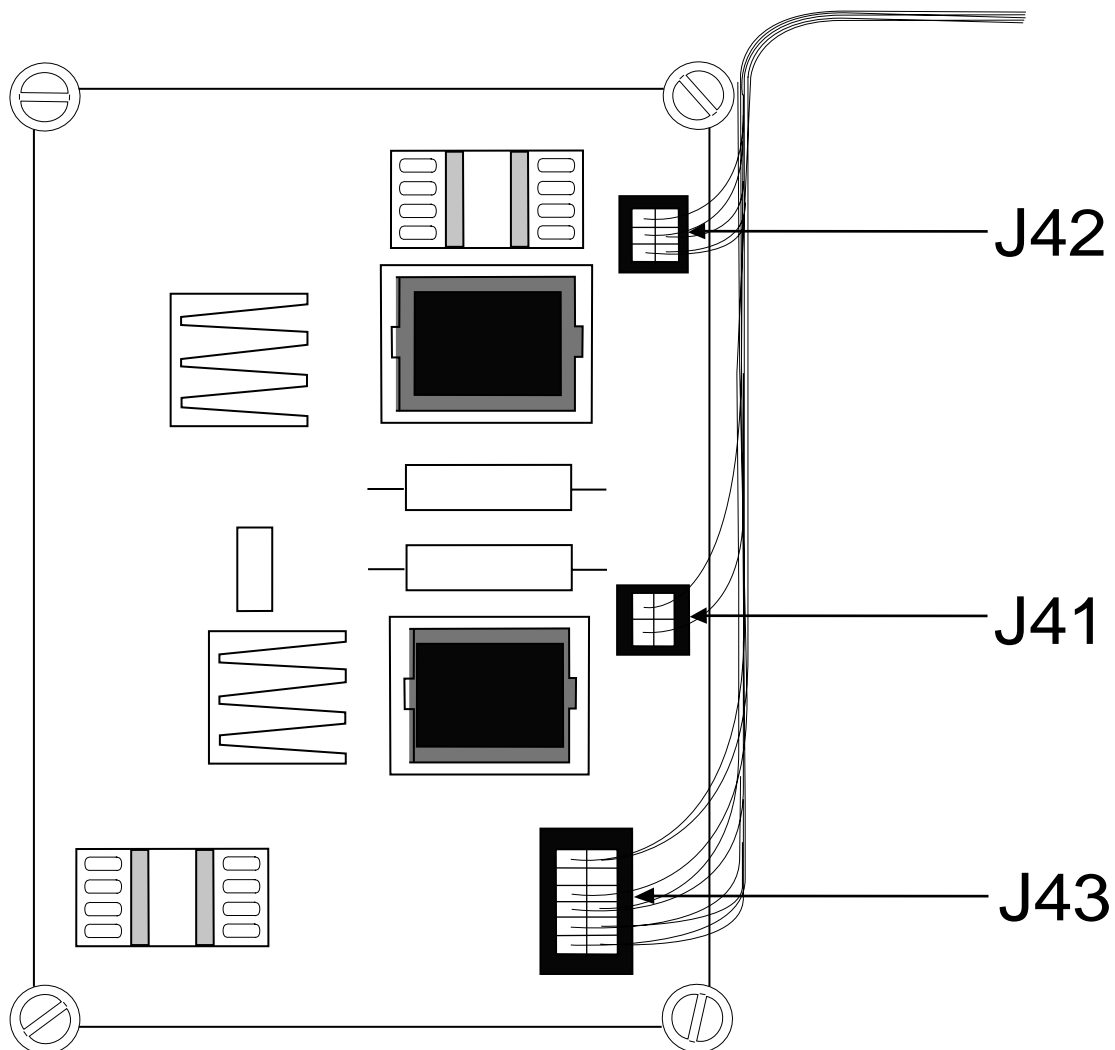
**LINCOLN**<sup>®</sup>  
**ELECTRIC**

## TROUBLESHOOTING & REPAIR

### POWER BOARD REMOVAL AND REPLACEMENT *(continued)*

5. Locate the three plug connections. J41, J42 and J43. See figure F.35.
6. Carefully remove the three plugs from the power board.
7. Remove the four screws and associated washers at the corners of the board using a flathead screwdriver. Board is ready for removal. Note the position of washers upon removal.
8. Remove the power board.
9. Replace with new power board.
10. Secure the new power board into its proper position with the four screws and washers previously removed.
11. Replace the three plugs previously removed. Plugs J41, J42 and J43.
12. Replace the case wraparound cover.

**FIGURE F.35 – POWER BOARD LEAD LOCATION**



V350-PRO

**LINCOLN**<sup>®</sup>  
**ELECTRIC**

Return to Section TOC  
Return to Master TOC  
Return to Section TOC  
Return to Master TOC  
Return to Section TOC  
Return to Master TOC  
Return to Section TOC  
Return to Master TOC  
Return to Section TOC  
Return to Master TOC

V350-PRO



# TROUBLESHOOTING & REPAIR

---

## INPUT RECTIFIER REMOVAL AND REPLACEMENT



### WARNING

Service and repair should be performed by only Lincoln Electric factory trained personnel. Unauthorized repairs performed on this equipment may result in danger to the technician or machine operator and will invalidate your factory warranty. For your safety and to avoid electrical shock, please observe all safety notes and precautions detailed throughout this manual.

If for any reason you do not understand the test procedures or are unable to perform the test/repairs safely, contact the Lincoln Electric Service Department for electrical troubleshooting assistance before you proceed. Call 1-800-833-9353 (WELD).

---

### DESCRIPTION

The following procedure will aid the technician in removing the input rectifier for maintenance or replacement.

### MATERIALS NEEDED

- 3/16" Allen wrench
- 5/16" Nut Driver
- Flathead Screwdriver
- Penetrox A-13 Heatsink Compound
- Silicon Sealant

This procedure takes approximately 20 minutes to perform.

V350-PRO



# TROUBLESHOOTING & REPAIR

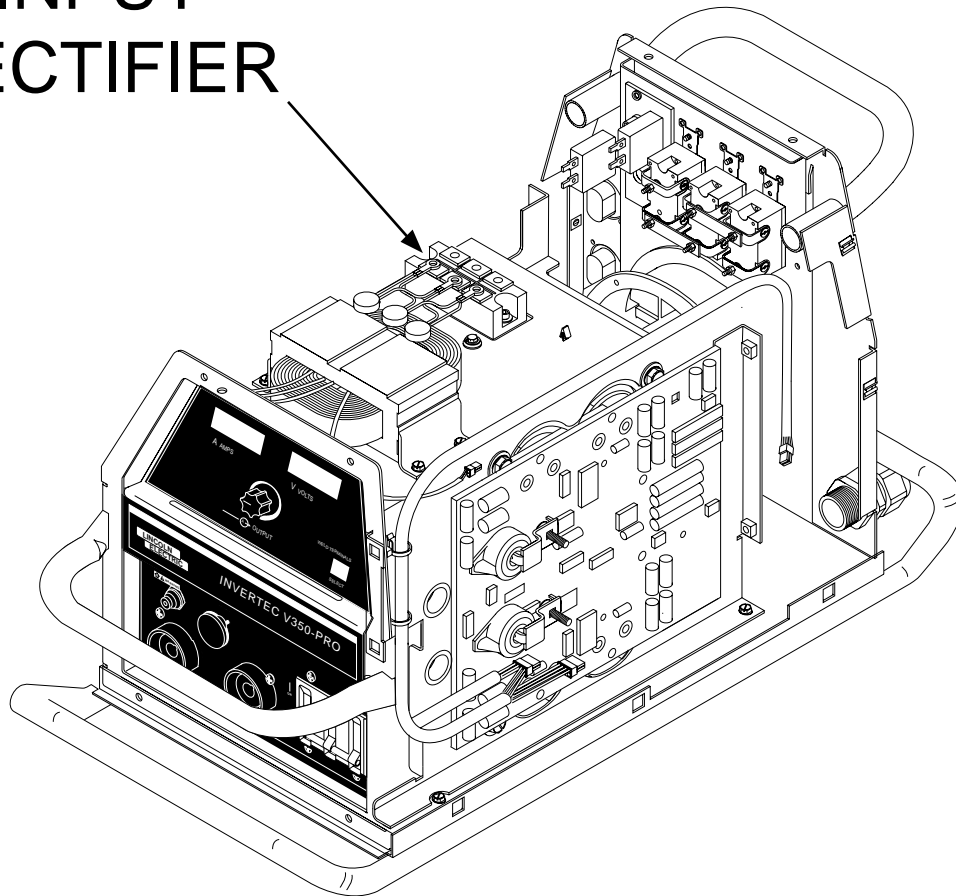
## INPUT RECTIFIER REMOVAL AND REPLACEMENT (*continued*)

### PROCEDURE

1. Remove input power to the V350-PRO.
2. Using a 5/16" nut driver remove the case wraparound cover.
3. Perform the **Input Filter Capacitor Discharge Procedure** detailed earlier in this section.
4. Locate the input rectifier. See figure F.36.
5. Carefully remove the silicon sealant insulating the six input rectifier terminals.
6. Remove the six screws from the terminals using a flathead screwdriver. Carefully note the position of all leads and their positions upon removal. **See Figure F.37.**
7. Using a 3/16" in. allen wrench remove the two mounting screws and washers from the input bridge. **See Figure F.37.**
8. Remove the input bridge.

FIGURE F.36 – INPUT RECTIFIER LOCATION

## INPUT RECTIFIER



V350-PRO

**LINCOLN**  
**ELECTRIC**

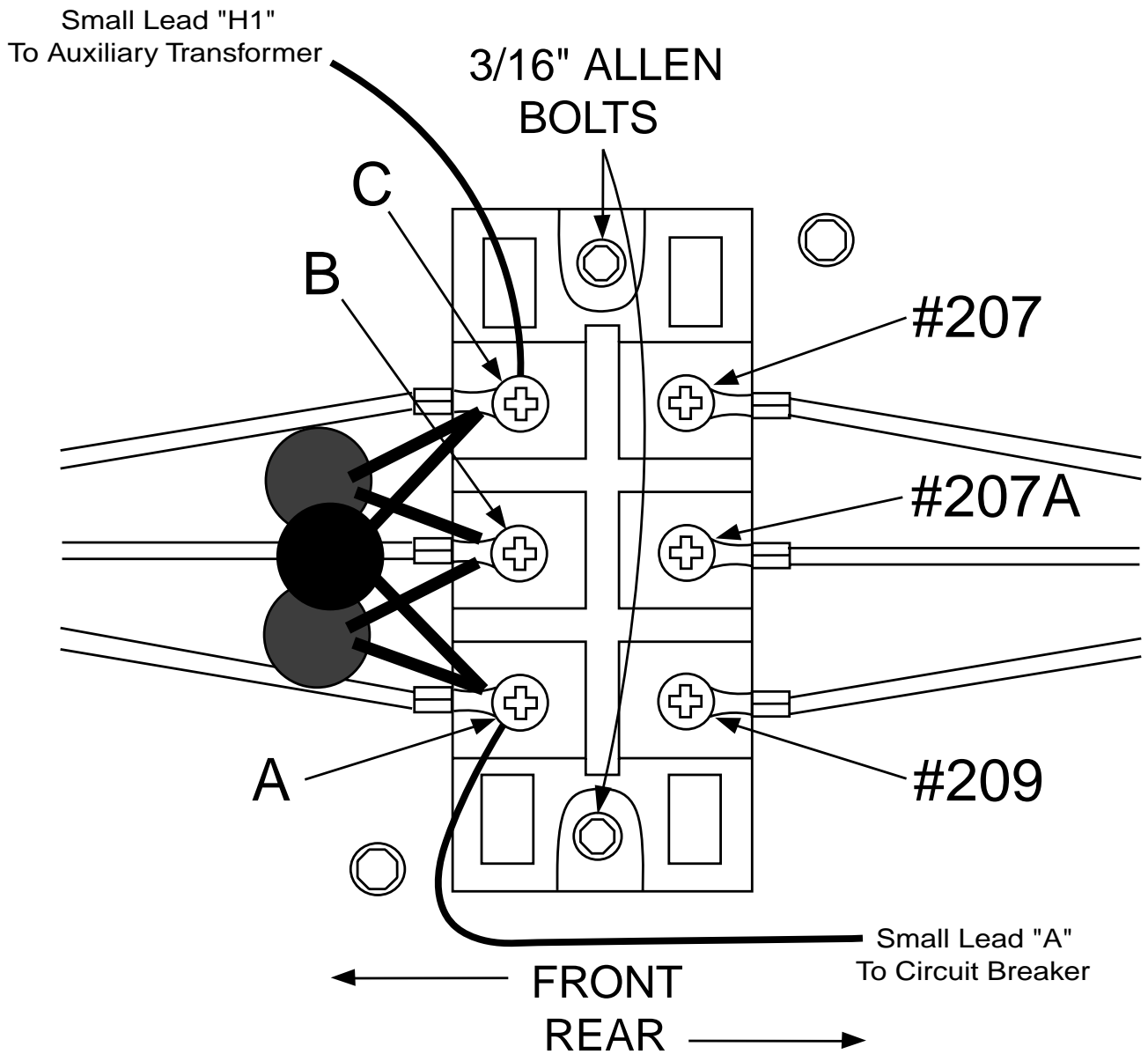


# TROUBLESHOOTING & REPAIR

## INPUT RECTIFIER REMOVAL AND REPLACEMENT *(continued)*

- |   |   |
|---|---|
| <p>9. Apply a thin coat of Penetrox A-13 heatsink compound to the point of contact between the input rectifier and the mounting surface.</p> <p>10. Secure the new input bridge into its proper position with the two 3/16" in. allen mounting screws previously removed. Torque to 44 inch pounds.</p> | <p>11. Reconnect the previously removed leads to their proper locations. Torque to 31 inch pounds.</p> <p>12. Cover the input rectifier and its six terminals with silicon sealant.</p> <p>13. Replace the case wraparound cover.</p> |
|---|---|

FIGURE F.37 – INPUT RECTIFIER (CLOSE-UP)



V350-PRO



Return to Section TOC  
Return to Master TOC

Return to Section TOC  
Return to Master TOC

Return to Section TOC  
Return to Master TOC

Return to Section TOC  
Return to Master TOC

Return to Section TOC  
Return to Master TOC

V350-PRO



# TROUBLESHOOTING & REPAIR

---

## OUTPUT RECTIFIER MODULES REMOVAL AND REPLACEMENT



### WARNING

Service and repair should be performed by only Lincoln Electric factory trained personnel. Unauthorized repairs performed on this equipment may result in danger to the technician or machine operator and will invalidate your factory warranty. For your safety and to avoid electrical shock, please observe all safety notes and precautions detailed throughout this manual.

If for any reason you do not understand the test procedures or are unable to perform the test/repairs safely, contact the Lincoln Electric Service Department for electrical troubleshooting assistance before you proceed. Call 1-800-833-9353 (WELD).

---

### DESCRIPTION

The following procedure will aid the technician in removing the output rectifier modules for maintenance or replacement.

### MATERIALS NEEDED

- 3/16" Allen wrench
- 9/64" Allen wrench
- 5/16" Nut Driver
- 7/16" Wrench
- Flathead Screwdriver
- Penetrox A-13 Heatsink Compound
- Thin Knife/Screwdriver

This procedure takes approximately 30 minutes to perform.

V350-PRO



# TROUBLESHOOTING & REPAIR

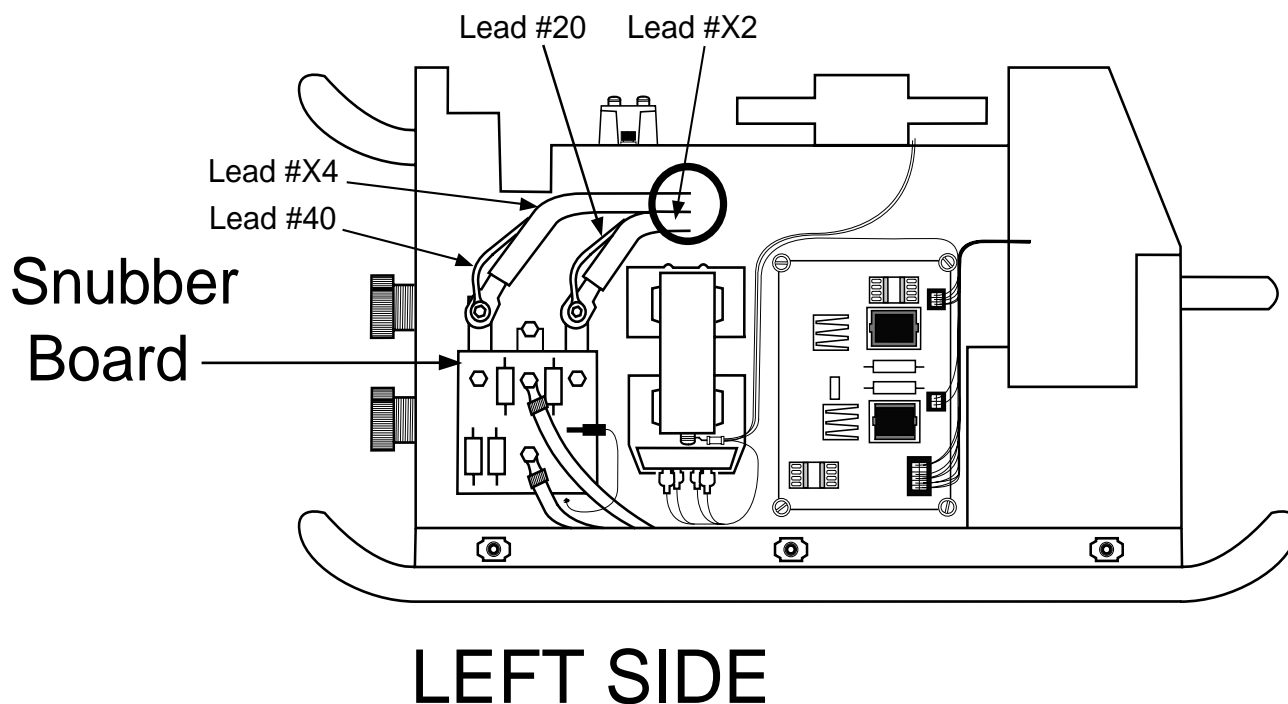
## OUTPUT RECTIFIER MODULES

### REMOVAL AND REPLACEMENT *(continued)*

#### PROCEDURE

1. Remove input power to the V350-PRO.
2. Using a 5/16" nut driver remove the case wrap-around cover.
3. Perform the **Input Filter Capacitor Discharge Procedure** detailed earlier in this section.
4. Locate the output rectifier modules located behind the snubber board. See figure F.38.
5. Before the output rectifier modules can be reached, the **Snubber Board Removal Procedure** must be performed.
6. After the snubber board is removed, remove the four leads connected to the modules using a 3/16" allen wrench. These leads are #X4, #X2, #20, #40. Note their positions for reassembly. See Figure F.38.
7. Remove the copper plates from the tops of the modules.

FIGURE F.38 – OUTPUT RECTIFIER MODULE LEAD LOCATIONS



V350-PRO



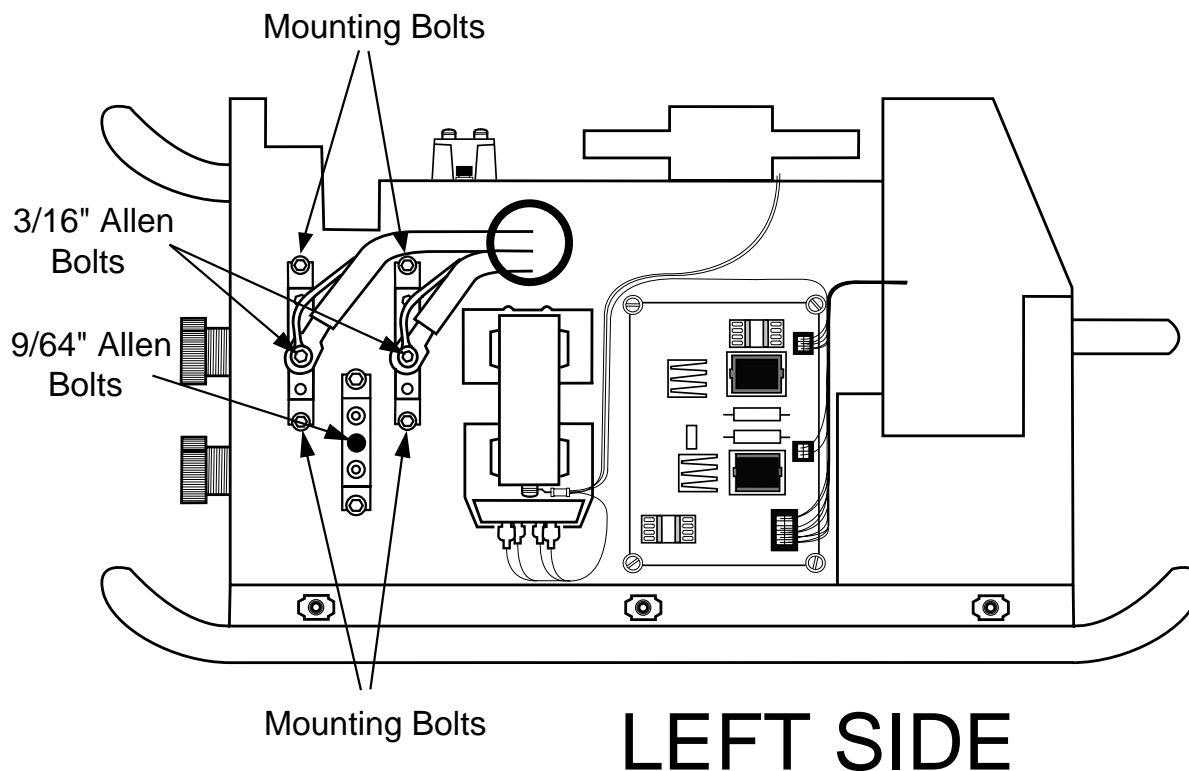
# TROUBLESHOOTING & REPAIR

## OUTPUT RECTIFIER MODULES

### REMOVAL AND REPLACEMENT (*continued*)

8. Under the copper plate previously removed, there is an allen bolt. Remove it using a 9/64" allen wrench.
9. Using a 7/16" socket remove the mounting bolts at the top and bottom of the modules. See Figure F.39.
10. The output rectifier modules are ready for removal and/or replacement.
11. Before replacing the diode module, apply a thin even coat of Penetrox A-13 heatsink compound to the bottom surface of the diode module. Note: Keep the compound away from the mounting holes.
12. Press the module firmly against the sink while aligning the mounting holes. Insert each outer screw through a spring washer and then a plain washer and into the holes. Start threading all three screws into the heat sink (2 or 3 turns by hand).
13. The screw threads may catch on the threads of the heat sink, so be sure to get the face of the screw into contact with the surface of the module (using just hand torque).
14. Using a 7/16" socket, tighten each mounting bolt to between 5 and 10 inch pounds.
15. Tighten the center allen screw to between 12 and 18 inch pounds.
16. Tighten each mounting bolt again (30 to 40 inch pounds this time).
15. Replace leads #X2, #X4, #20, #40 to their original terminals in their proper positions. Torque bolts to 30-40 Inch Pounds.
16. Perform the **Snubber Board Replacement Procedure** detailed earlier in this section.
17. Replace the case wraparound cover.

FIGURE F.39 – OUTPUT RECTIFIER MODULE MOUNTING BOLT LOCATIONS



V350-PRO

**LINCOLN**  
**ELECTRIC**

Return to Section TOC  
Return to Master TOC  
Return to Section TOC  
Return to Master TOC  
Return to Section TOC  
Return to Master TOC  
Return to Section TOC  
Return to Master TOC  
Return to Section TOC  
Return to Master TOC

V350-PRO



# TROUBLESHOOTING & REPAIR

## CURRENT TRANSDUCER REMOVAL AND REPLACEMENT



### WARNING

Service and repair should be performed by only Lincoln Electric factory trained personnel. Unauthorized repairs performed on this equipment may result in danger to the technician or machine operator and will invalidate your factory warranty. For your safety and to avoid electrical shock, please observe all safety notes and precautions detailed throughout this manual.

If for any reason you do not understand the test procedures or are unable to perform the test/repairs safely, contact the Lincoln Electric Service Department for electrical troubleshooting assistance before you proceed. Call 1-800-833-9353 (WELD).

---

### DESCRIPTION

The following procedure will aid the technician in removing the current transducer for maintenance or replacement.

### MATERIALS NEEDED

- 5/16" Nut Driver
- 1/4" Nut Driver
- 1/2" Wrench
- 3/8" Wrench
- Channel Locks
- Flathead Screwdriver
- Phillips Head Screwdriver
- Hammer
- Crescent Wrench
- Pliers

This procedure takes approximately 45 minutes to perform.

V350-PRO



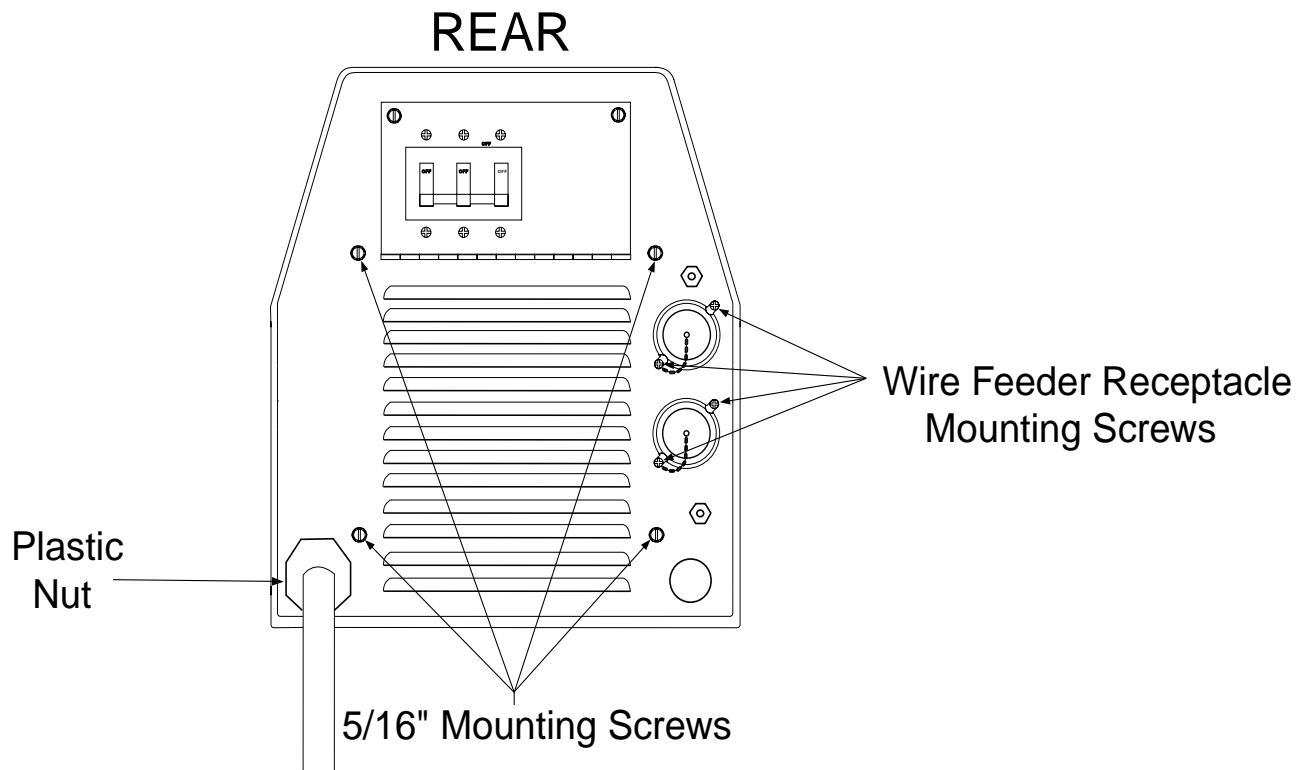
## TROUBLESHOOTING & REPAIR

### CURRENT TRANSDUCER REMOVAL AND REPLACEMENT *(continued)*

#### PROCEDURE

1. Remove input power to the V350-PRO.
2. Using a 5/16" nut driver remove the case wrap-around cover.
3. Perform the ***Input Filter Capacitor Discharge Procedure*** detailed earlier in this section.
4. Remove the caps on the two wire feeder receptacles.
5. Using a phillips head screwdriver remove the two mounting screws from each wire feeder receptacle. See Figure F.40.
6. Using a 5/16" nut driver remove the four screws from the top and bottom of the back of the machine. See Figure F.40.

FIGURE F.40 – CASE BACK SCREW LOCATIONS



V350-PRO

**LINCOLN**<sup>®</sup>  
**ELECTRIC**

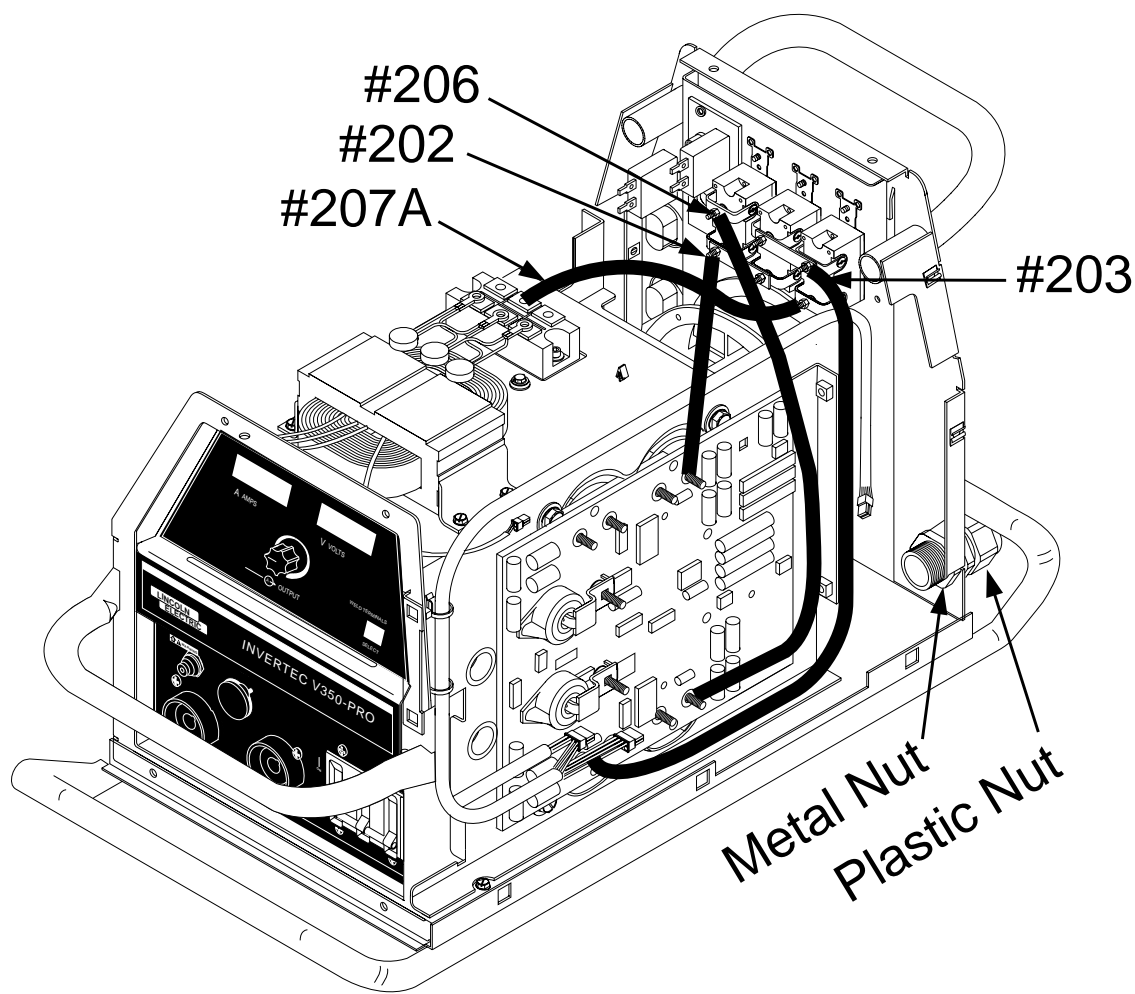


## TROUBLESHOOTING & REPAIR

### CURRENT TRANSDUCER REMOVAL AND REPLACEMENT *(continued)*

7. Label and remove the four leads connected to the two wire feeder circuit breakers. Pliers may be necessary.
8. Label and remove the two leads connecting to the CB2 circuit breaker. Pliers may be necessary.
9. Label and remove the seven leads from the reconnect panel. Pliers may be necessary.
10. Using a crescent wrench, remove the large plastic nut from around the input power line located at bottom of the rear assembly. See Figure F.41.
11. Locate the steel nut located directly on the other side of the rear assembly behind the plastic nut that was previously removed. See Figure F.41.
12. Using a hammer and a flathead screwdriver, firmly tap the metal nut from the bottom of one of its ribs. This tapping will loosen the nut. Note: Be sure to tap from the bottom so the nut loosens in a counter clockwise fashion if viewed from the front of the machine.
13. Using a 3/8" wrench label and remove leads #202, #203, #206, #207A from the reconnect switches. See Figure F.41.

FIGURE F.41 LEAD LOCATIONS



V350-PRO

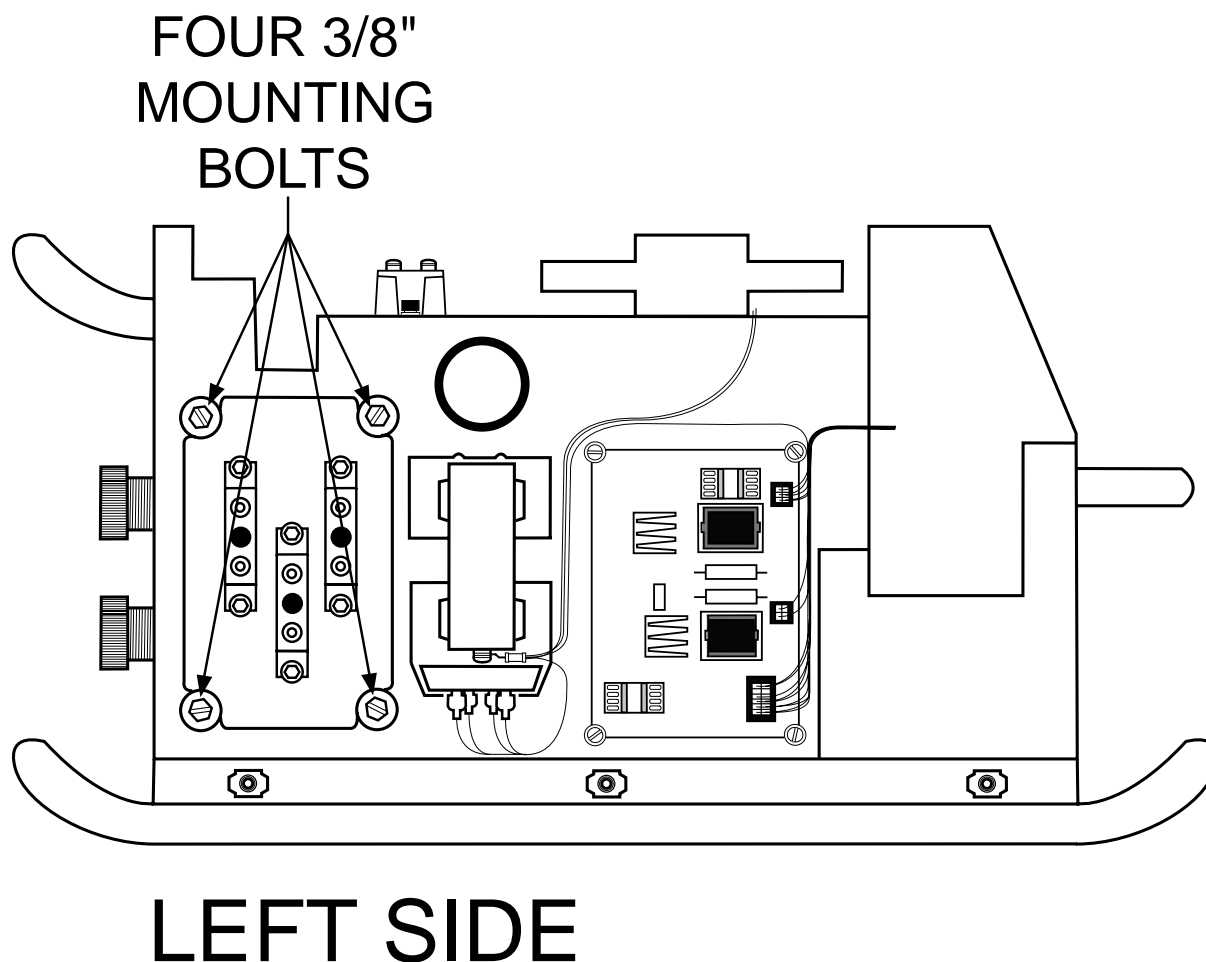
**LINCOLN**  
**ELECTRIC**

## TROUBLESHOOTING & REPAIR

### CURRENT TRANSDUCER REMOVAL AND REPLACEMENT (*continued*)

14. The back of the machine may now gently be pulled away to gain access to the current transducer. Note: The rear of the machine cannot be removed completely.
15. Carefully swing the rear of the machine open to the right while facing the rear of the machine.
16. Perform the **Snubber Board Removal Procedure**.
17. Remove leads #X2 and #20 from the output diode module.
18. Remove leads #X4 and #40 from the other output diode module.
19. Using a 3/8" wrench, remove the four mounting screws from the output diode heatsink assembly. Take note placement of insulation for reassembly. See Figure F.42.
20. Cut any necessary cable ties and carefully remove the heavy lead from the diode heatsink.
21. Remove the output diode heatsink assembly through the rear of the machine.
22. Remove plug #J90 from the current transducer.
23. Using a 3/8" nut driver, remove the two mounting nuts from the current transducer.

FIGURE F.42- OUTPUT HEATSINK MOUNTING SCREW LOCATION



V350-PRO

**LINCOLN**  
**ELECTRIC**

## TROUBLESHOOTING & REPAIR

### CURRENT TRANSDUCER REMOVAL AND REPLACEMENT (*continued*)

24. Replace the current transducer.
25. Replace the two 3/8" mounting nuts previously removed.
26. Reconnect plug #J90 to the current transducer.
27. Replace any necessary cable ties previously cut.
28. Replace the output diode heatsink assembly previously removed using a 3/8" wrench.
- Note: **Be sure to place insulation in its original location.**
29. Replace leads #X2, #20, #X4, #40 previously removed from the two output diode modules. Torque to 30-40 inch lbs.
30. Perform the ***Snubber Board Replacement Procedure***.
31. From the rear of the machine, replace the heavy flex lead to the bottom of the output diode heatsink assembly using a 1/2" wrench. Note: Don't forget to include all washers.
32. The rear of the machine may now be placed back into its original position.
33. Using a 3/8" wrench, replace leads #202, #203, #206, and #207A previously removed from the reconnect switches.
34. Tighten the metal nut previously removed from the inside of the rear wall on the back of the machine. Channel locks may be necessary.
35. Replace the large plastic nut from around input power line located at the back of the machine.
36. Replace the seven leads to the reconnect panel in their proper locations.
37. Replace the two leads to the CB2 circuit breaker.
38. Replace the four leads to the two wire feeder circuit breakers.
39. Using a 5/16" nut driver, replace the four screws at the top and bottom at the rear of the machine.
40. Replace the two phillips head mounting screws from around each wire feeder receptacle.
41. Replace the case wraparound cover.

Return to Section TOC  
Return to Master TOC

Return to Section TOC  
Return to Master TOC

Return to Section TOC  
Return to Master TOC

Return to Section TOC  
Return to Master TOC

V350-PRO



# TROUBLESHOOTING AND REPAIR

## RETEST AFTER REPAIR

Retest a machine:

If it is rejected under test for any reason that requires you to remove any part which could affect the machine's electrical characteristics.

If you repair or replace any electrical components:

### IDLE AMPS

Input Volts	Maximum Idle Amps	Idle Watts
230VAC	Less Than 1.0 Amp	400 Watts
460VAC	Less Than 0.5 Amp	400 Watts
575VAC	Less Than 0.5 Amp	400 Watts

**Note:** The machine's output terminals should be energized but with no external load on the machine.

### PERFORM THE *VOLTAGE AND CURRENT CALIBRATION PROCEDURE*

This procedure is necessary to insure that the machine is capable of producing output and that the unit is calibrated correctly.

### FAN AS NEEDED (F.A.N.)

The fan should turn on when the machine's output terminals are energized and stay on for approximately 5 minutes after the output terminals are de-energized.

V350-PRO



## TABLE OF CONTENTS -ELECTRICAL DIAGRAMS SECTION-

ELECTRICAL DIAGRAMS .....	SECTION G
WIRING DIAGRAM .....	G-2
MACHINE SCHEMATIC .....	G-3
CONTROL PC BOARD SCHEMATIC #1 .....	G-4
CONTROL PC BOARD SCHEMATIC #2 .....	G-5
CONTROL PC BOARD SCHEMATIC #3 .....	G-6
CONTROL PC BOARD SCHEMATIC #4 .....	G-7
CONTROL PC BOARD ASSEMBLY .....	G-8
POWER SUPPLY PC BOARD SCHEMATIC .....	G-9
POWER SUPPLY PC BOARD ASSEMBLY .....	G-10
SWITCH PC BOARD SCHEMATIC .....	G-11
SWITCH PC BOARD ASSEMBLY .....	G-12
DISPLAY PC BOARD SCHEMATIC .....	G-13
DISPLAY PC BOARD ASSEMBLY .....	G-14
STATUS PC BOARD SCHEMATIC .....	G-15
STATUS PC BOARD ASSEMBLY .....	G-16
MODE SELECT PC BOARD SCHEMATIC .....	G-17
MODE SELECT PC BOARD ASSEMBLY .....	G-18
REMOTE PC BOARD SCHEMATIC .....	G-19
REMOTE PC BOARD ASSEMBLY .....	G-20
SNUBBER PC BOARD SCHEMATIC .....	G-21
SNUBBER PC BOARD ASSEMBLY .....	G-22

Return to Master TOC

Return to Master TOC

Return to Master TOC

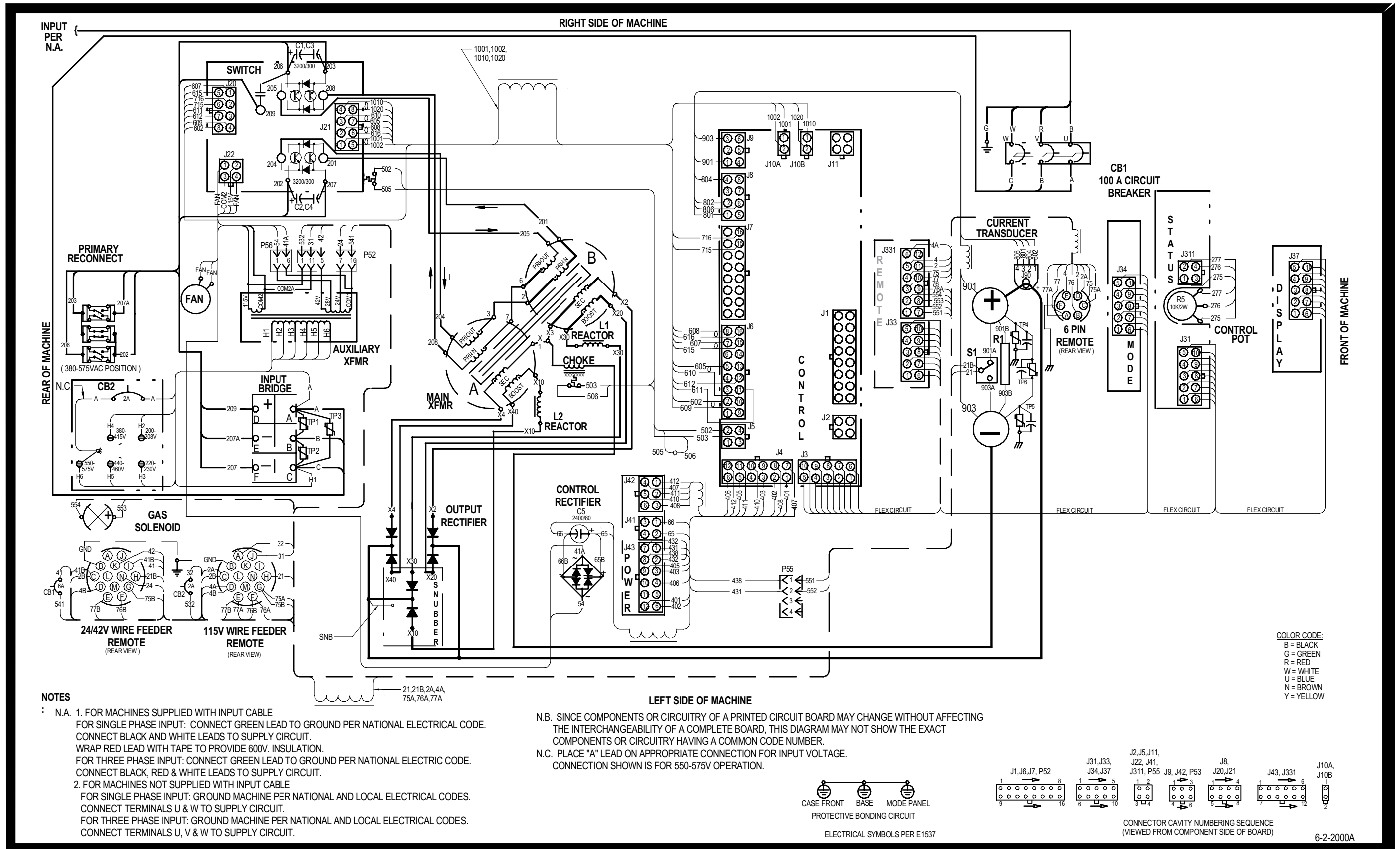
Return to Master TOC

V350-PRO



WIRING DIAGRAM - INVERTEC V350-PRO

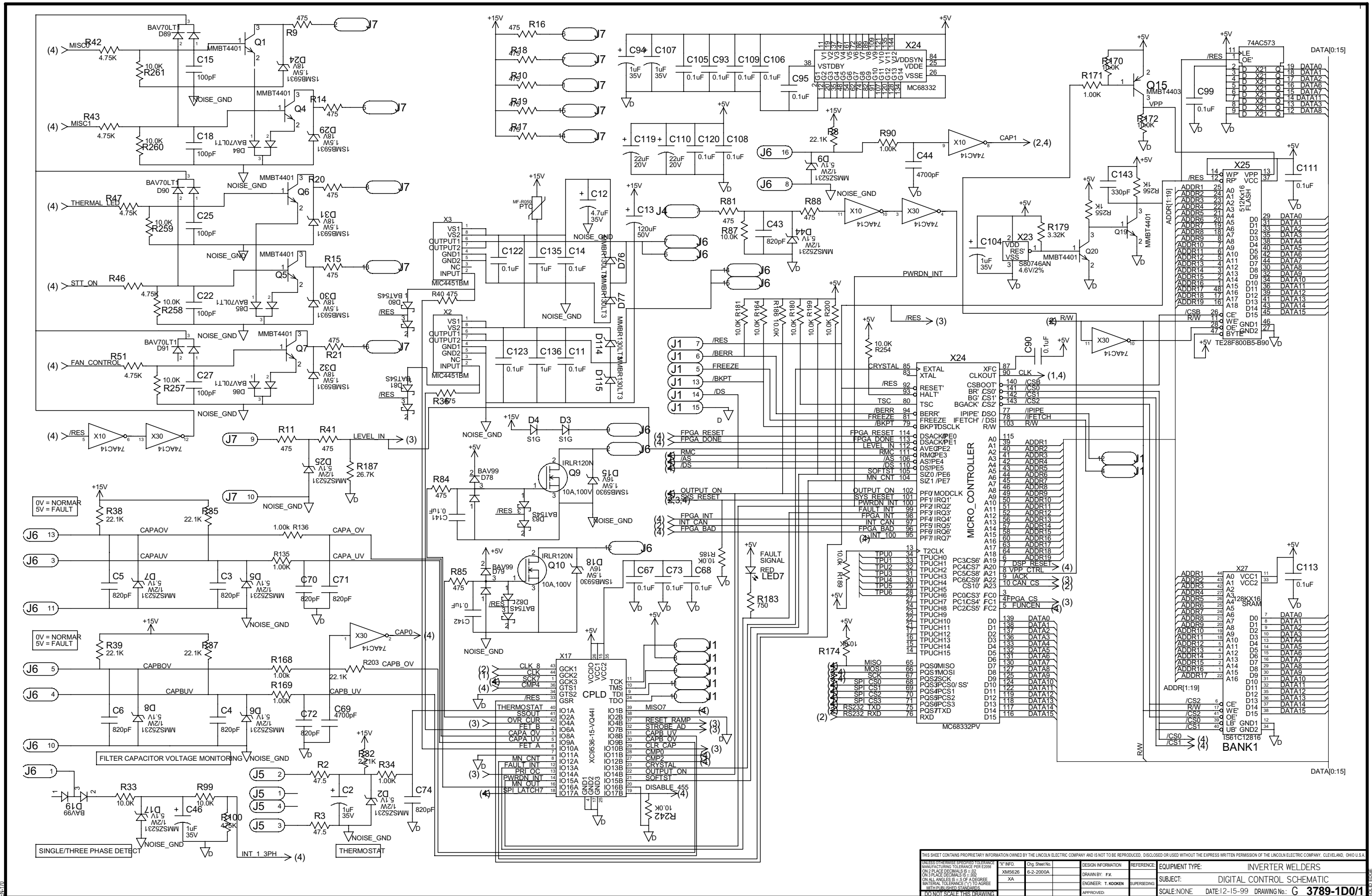
WIRING DIAGRAM INVERTEC V350-PRO



NOTE: This diagram is for reference only. It may not be accurate for all machines covered by this manual. The wiring diagram specific to your code is pasted inside one of the enclosure panels of your machine.



SCHEMATIC - CONTROL PC BOARD #1



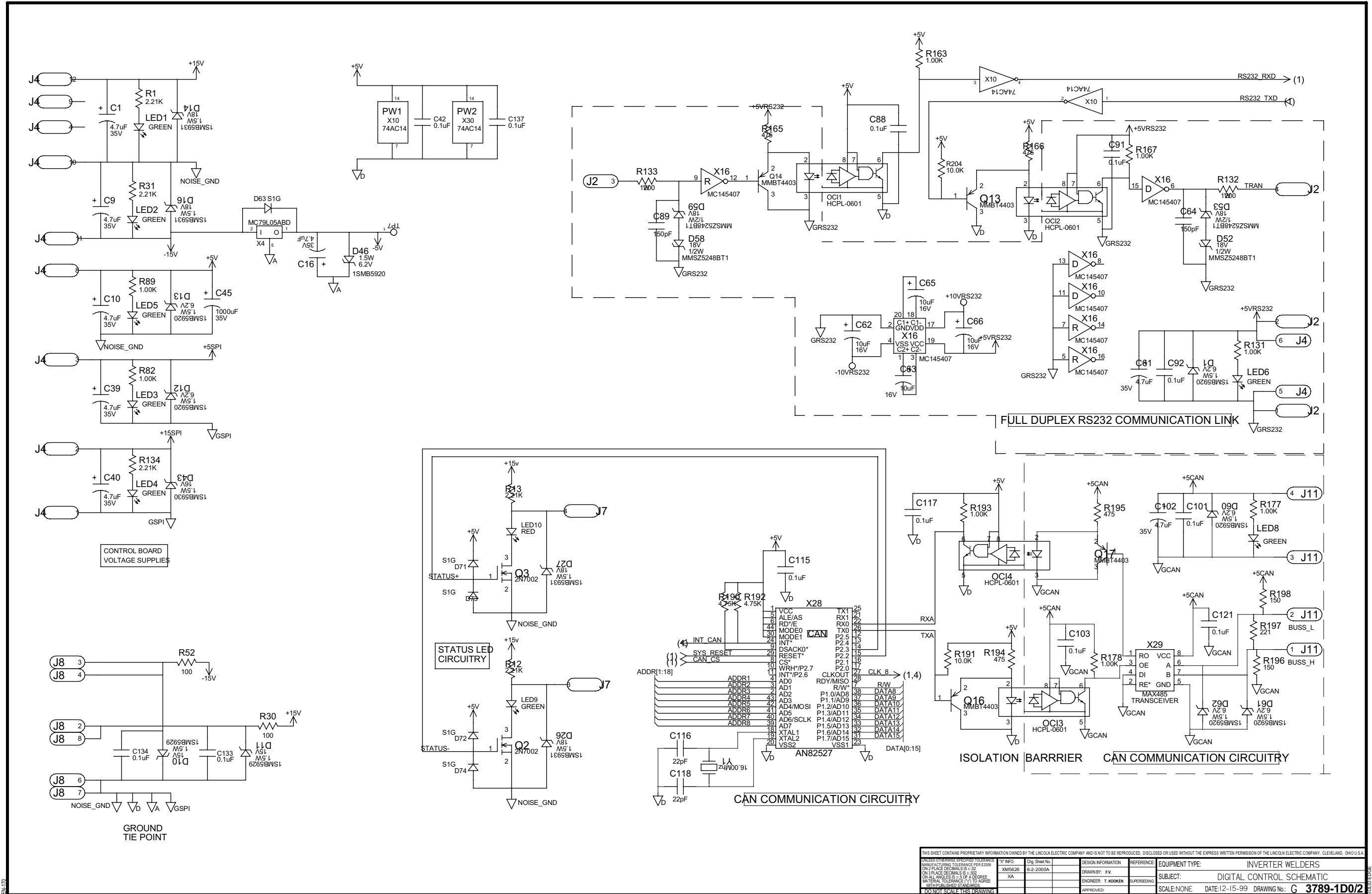
NOTE: This diagram is for reference only. It may not be accurate for all machines covered by this manual.

THIS SHEET CONTAINS PROPRIETARY INFORMATION OWNED BY THE LINCOLN ELECTRIC COMPANY AND IS NOT TO BE REPRODUCED, DISCLOSED OR USED WITHOUT THE EXPRESS WRITTEN PERMISSION OF THE LINCOLN ELECTRIC COMPANY, CLEVELAND, OHIO U.S.A.		DESIGN INFORMATION		EQUIPMENT TYPE: INVERTER WELDERS	
UNLESS OTHERWISE SPECIFIED DIMENSIONS ARE IN MILLIMETERS (INCHES) TO 3 DECIMALS (0.001)	DATE: 6-2-2004	DESIGNER: T. HODGEN	SUPERSEDED:	SUBJECT: DIGITAL CONTROL SCHEMATIC	SCALE: NONE
ON ALL ANGLES IS ± 3 OF A DEGREE UNLESS OTHERWISE SPECIFIED	APPROVED:			DATE: 12-15-99	DRAWING No: G 3789-1D0/1





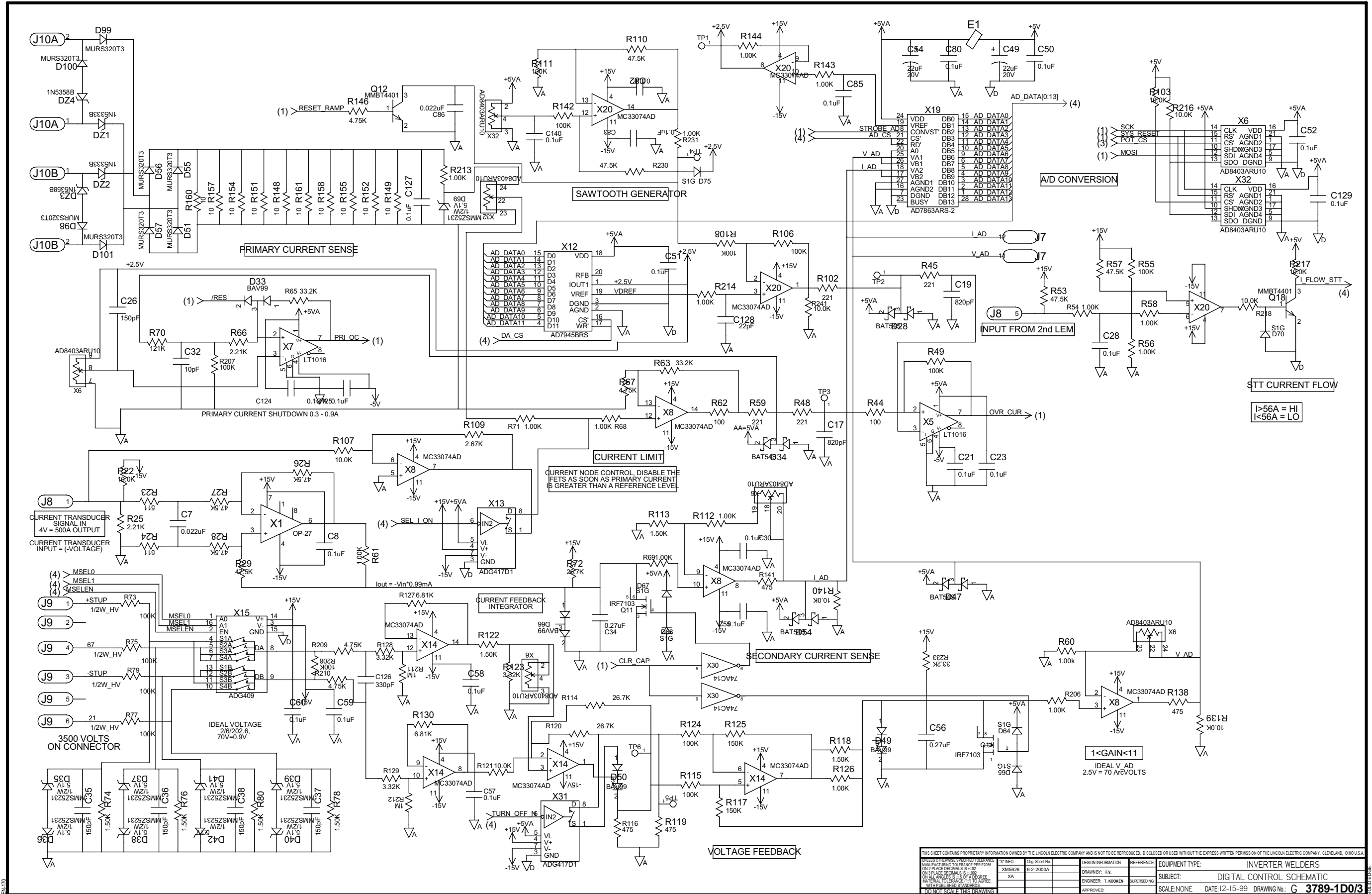
SCHEMATIC - CONTROL PC BOARD #2



NOTE: This diagram is for reference only. It may not be accurate for all machines covered by this manual.

THIS SHEET CONTAINS PROPRIETARY INFORMATION OWNED BY THE LINCOLN ELECTRIC COMPANY AND IS NOT TO BE REPRODUCED, DISCLOSED OR USED WITHOUT THE EXPRESS WRITTEN PERMISSION OF THE LINCOLN ELECTRIC COMPANY, CLEVELAND, OHIO U.S.A.		EQUIPMENT TYPE: INVERTER WELDERS	
UNLESS OTHERWISE SPECIFIED TOLERANCES: DIMENSIONS: AS SHOWN ON 2 PLACE DECIMALS IS ±.02 ON 3 PLACE DECIMALS IS ±.005 ON ALL ANGLES IS ±.3 OF A DEGREE HOLE POSITION TOLERANCE IS ±.10 UNLESS OTHERWISE SPECIFIED WITH PUBLISHED STANDARDS	DATE: 6-2-2000A	DESIGN INFORMATION: DRAWN BY: FX ENGINEER: T. MOOREN SUPERSEDED: APPROVED:	SUBJECT: DIGITAL CONTROL SCHEMATIC SCALE: NONE DATE: 12-15-99 DRAWING No.: G 3789-1D0/2

SCHEMATIC - CONTROL PC BOARD #3



NOTE: This diagram is for reference only. It may not be accurate for all machines covered by this manual.

THIS SHEET CONTAINS PROPRIETARY INFORMATION OWNED BY THE LINCOLN ELECTRIC COMPANY AND IS NOT TO BE REPRODUCED, DISCLOSED OR USED WITHOUT THE EXPRESS WRITTEN PERMISSION OF THE LINCOLN ELECTRIC COMPANY, CLEVELAND, OHIO U.S.A.		EQUIPMENT TYPE: INVERTER WELDERS	
DESIGNER: T. MOOREN	DATE: 12-15-99	SUBJECT: DIGITAL CONTROL SCHEMATIC	
APPROVED:	DRAWING No.: G 3789-1D0/3	SCALE: NONE	



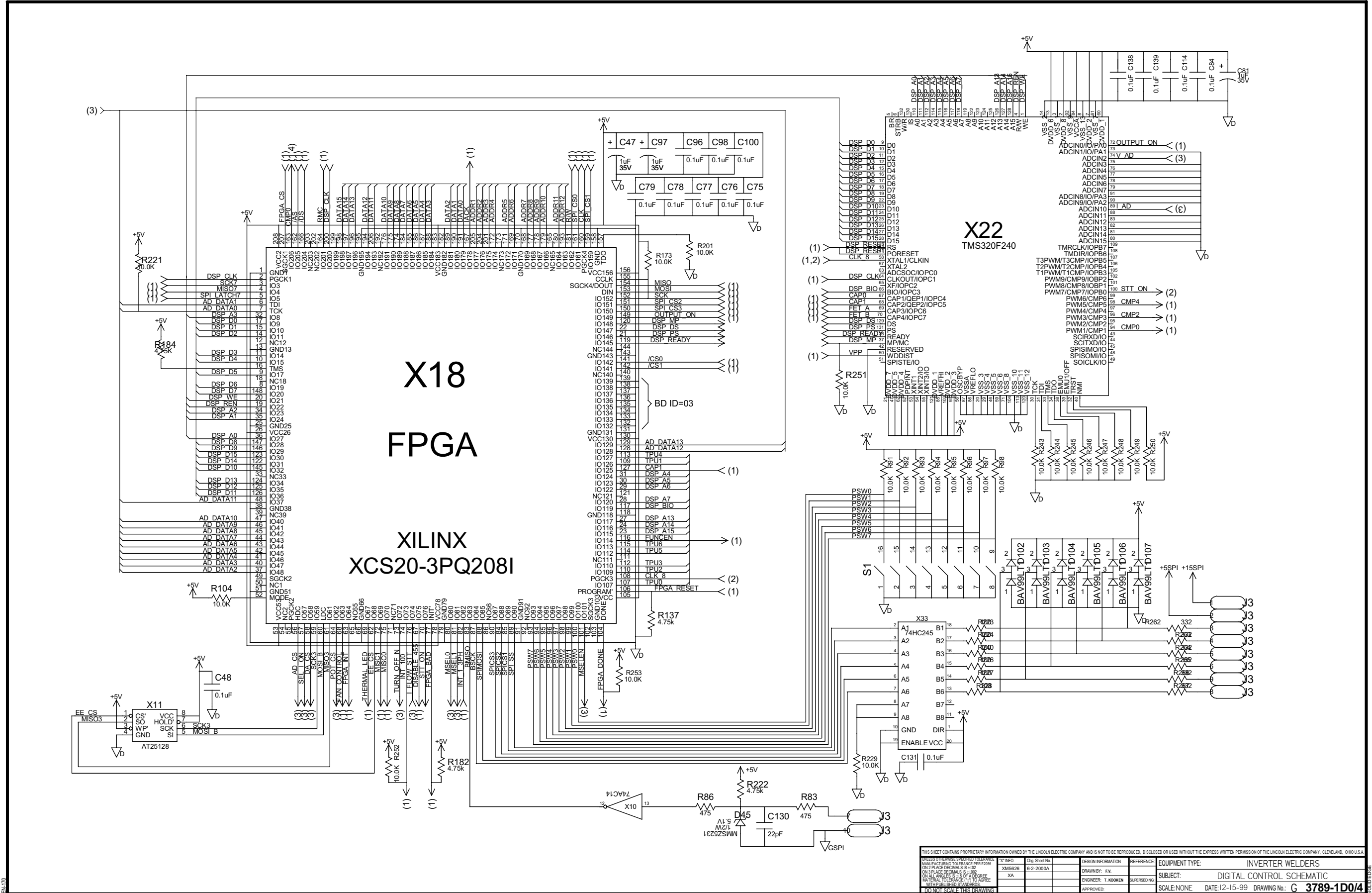
SCHEMATIC - CONTROL PC BOARD #4

Return to Section TOC  
Return to Master TOC

Return to Section TOC  
Return to Master TOC

Return to Section TOC  
Return to Master TOC

Return to Section TOC  
Return to Master TOC



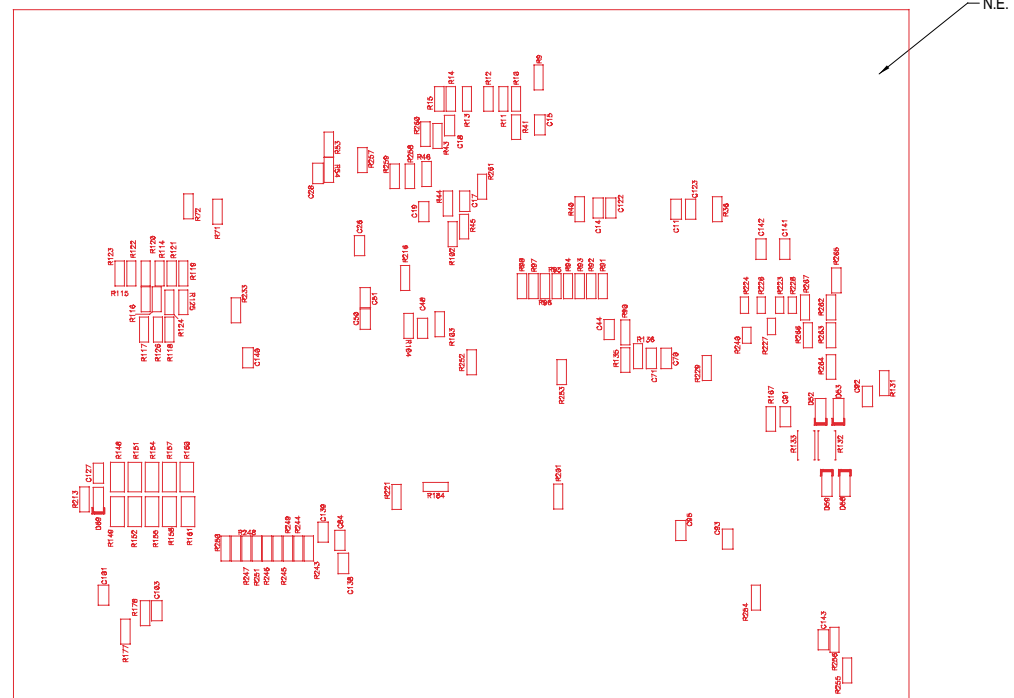
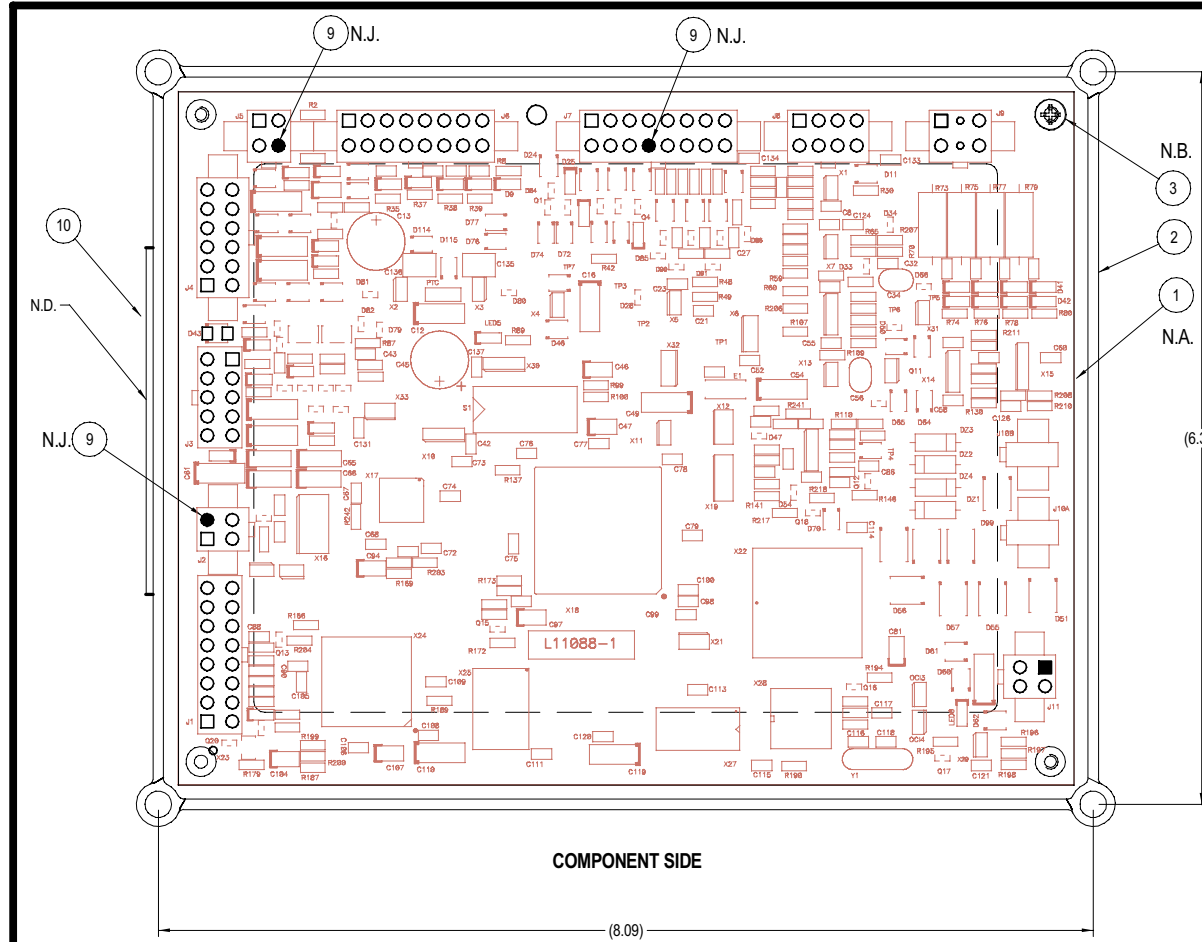
THIS SHEET CONTAINS PROPRIETARY INFORMATION OWNED BY THE LINCOLN ELECTRIC COMPANY AND IS NOT TO BE REPRODUCED, DISCLOSED OR USED WITHOUT THE EXPRESS WRITTEN PERMISSION OF THE LINCOLN ELECTRIC COMPANY, CLEVELAND, OHIO U.S.A.

UNLESS OTHERWISE SPECIFIED TOLERANCES: MANUFACTURING TOLERANCE PER ISO 2009 ON 2 PLACE DECIMALS IS ±.02 ON 3 PLACE DECIMALS IS ±.005 ON ALL ANGLES IS ±.3 OF A DEGREE MATERIAL TOLERANCE IS TO AGREE WITH PUBLISHED STANDARDS DO NOT SCALE THIS DRAWING	X: INFO XM5626 XA	Chg. Sheet No. 6-2-2000A	DESIGN INFORMATION DRAWN BY: FX ENGINEER: T. KOOKEN SUPERSEDING APPROVED:	REFERENCE EQUIPMENT TYPE: INVERTER WELDERS SUBJECT: DIGITAL CONTROL SCHEMATIC SCALE: NONE DATE: 12-15-99 DRAWING No.: G 3789-1D0/4
--	-------------------------	-----------------------------	---	---

NOTE: This diagram is for reference only. It may not be accurate for all machines covered by this manual.



PC BOARD ASSEMBLY-CONTROL



ITEM	PART NO.	REQ'D	DESCRIPTION	REFERENCE DESIGNATOR
1	L11088-0	1	DIGITAL CONTROL P.C. BOARD BLANK	
2	L119436-1	1	POTTING TRAY	
3	S8063-80	2	SELF TAPPING SCREW	
4	E2527	5.0 GR	EPPOXY ENCAPSULATION RESIN	
5	E3856	0.1 OZ	ELECTRICAL INSULATING COMPOUND	
6	S24803-1	1	FLASH SOFTWARE	
7	S24804-2	1	CPD SOFTWARE	
9	S24671	3	PLUG KEYING PLUG	
10	E3868-4	1	BAR CODE LABEL	
FOR ITEMS LISTED BELOW REFER TO ELECTRICAL DATABASE FOR COMPONENT SPECIFICATIONS				
11	S25020-3SMT	68	SCAP.0.1uF.80V.50V.XTR.10%TR	C138 C134 C133 C125 C55 C98 C98 C100 C28 C82 C14 C11 C83 C103 C121 C101 C117 C115 C111 C113 C85 C94 C84 C93 C109 C120 C127 C106 C95 C105 C73 C68 C8 C114 C108 C99 C77 C76 C75 C84 C79 C87 C88 C80 C50 C78 C23 C21 C91 C51 C92 C58 C57 C52 C60 C59 C131 C123 C1
12	S14390-173	2	CAP.1uF.RA.63V.10%NP	C136 C135
13	S25020-2SMT	2	SCAP.0.102uF.80V.50V.XTR.10%	C96 C7
14	S25020-1SMT	2	SCAP.0.102uF.80V.50V.XTR.10%	C44 C29
15	S25020-3SMT	4	SCAP.22uF.80V.50V.COG.5%TR	C118 C116 C128 C130
16	S25020-1SMT	1	SCAP.10uF.80V.50V.XTR.10%	C32
17	S25020-1SMT	7	SCAP.150uF.80V.150V.COG.5%TR	C84 C89 C23 C35 C36 C38 C37
18	S25020-4SMT	11	SCAP.80uF.80V.50V.COG.5%TR	C43 C4 C74 C71 C19 C70 C2 C72 C8 C17
19	S24833-1	2	CAP.0.22uF.MF.50V.50%NP	C56 C34
20	S25020-1SMT	2	SCAP.33uF.10V	C56 C43
21	S25020-3SMT	9	SCAP.4.7uF.7343.35V.10%TR	C12 C102 C1 C9 C10 C39 C40 C16 C81
22	S25020-2SMT	8	SCAP.1uF.TAN.35V.10%TR	C94 C97 C104 C107 C47 C81 C2 C46
23	S25020-4SMT	4	SCAP.22uF.TAN.7343.35V.10%	C119 C110 C49 C54
25	S13490-179	1	CAP.1000uF.35V.20%NP	C45
26	S13490-182	1	SCAP.100uF.25V.20%RADIAL	C13
27	S25040-2SMT	13	SDIO.1A.40V.DD-2148A.GLS	D68 D67 D4 D3 D75 D63 D64 D65 D70 D72 D71 D73 D74
28	S25040-1SMT	19	SDIO.MMS2318T1.5.1V NP	D25 D45 D44 D71 D9 D32 D5 D7 DR D38 D36 D38 D37 D42 D41 D40 D39 D39
29	S25040-3SMT	7	SDIO.15MB9202RT3.2.2V NP	D62 D61 D60 D13 D12 D1 D46
30	S25040-3SMT	4	SDIO.MMS2318T1.5.1V ZENER TR.NP	D63 D62 D68
31	S25044-10SMT	3	SDIO.B9300.16V.1.5W.ZENER TR.NP	D16 D15 D45
32	S25044-10SMT	9	SDIO.15MB9202RT3.2.2V NP	D27 D32 D26 D30 D31 D29 D24 D14 D16 D10 D11
33	S25044-4SMT	2	SDIO.B9300.16V.1.5W.ZENER TR.NP	D10 D11
34	S25040-3SMT	13	SDIO.BAV99L1.SOT23.DUAL.SWITCH	D66 D50 D33 D49 D10 D78 D79 D102 D103 D104 D105 D106 D107
35	S25040-4SMT	8	SDIO.BATS45.DUAL.30V.200mA	D34 D54 D28 D47 D80 D81 D82 D83
36	S25080-2SMT	8	SLED.GRN.1206.TR.NP	LED3 LED1 LED5 LED3 LED2 LED4 LED3 LED9
37	S25080-1SMT	2	SLED.RED.1206.TR.NP	LED7 LED10
38	S25093-1SMT	1	SIND.FERRITEHEAD TR.NP	R1
39	S25001-4750SMT	8	SRES.47.5K.1206.1%.18W.TR.NP	R230 R27 R28 R26 R23 R20 R110 R57
40	S25001-2115SMT	8	SRES.2.2K.1206.1%.18W.NP	R25 R13 R12 R32 R1 R31 R134 R66 R171 R178 R177 R193 R231 R167 R61 R34 R69 R82 R143 R135 R136 R169 R131 R112 R80 R66 R126 R71 R54 R69 R68 R143 R144 R58 R206 R213 R214 R90 R169 R255 R256 R173 R91 R161 R154 R70 R172 R169 R186 R180 R91 R92 R93 R94 R95 R96 R97 R98 R22 R174 R201 R185 R104 R87 R33 R99 R260 R261 R139 R140 R121 R200 R107 R199 R103 R221 R229 R204 R242 R241 R216 R217 R218 R243 R246 R244 R245 R247 R248 R249 R250 R251 R252 R253 R2
41	S25001-1001SMT	33	SRES.1K.1206.1%.18W.TR.NP	R105 R194 R41 R1 R83 R86 R166 R165 R21 R15 R20 R88 R81 R14 R9 R17 R19 R10 R18 R16 R141 R138 R119 R116 R86 R84 R40 R36 R190 R192 R182 R184 R137 R146 R209 R210 R222 R42 R43 R46 R47 R51 R67 R132 R133 R113 R119 R122 R74 R76 R80 R78
42	S25001-10022SMT	57	SRES.10K.MF.1206.1%.18W	R174 R201 R185 R104 R87 R33 R99 R260 R261 R139 R140 R121 R200 R107 R199 R103 R221 R229 R204 R242 R241 R216 R217 R218 R243 R246 R244 R245 R247 R248 R249 R250 R251 R252 R253 R2
43	S25001-4750SMT	28	SRES.47.5K.1206.1%.18W.TR.NP	R105 R194 R41 R1 R83 R86 R166 R165 R21 R15 R20 R88 R81 R14 R9 R17 R19 R10 R18 R16 R141 R138 R119 R116 R86 R84 R40 R36 R190 R192 R182 R184 R137 R146 R209 R210 R222 R42 R43 R46 R47 R51 R67 R132 R133 R113 R119 R122 R74 R76 R80 R78
44	S25001-4751SMT	15	SRES.4.75K.1206.1%.18W.SM100-	R190 R192 R182 R184 R137 R146 R209 R210 R222 R42 R43 R46 R47 R51 R67 R132 R133 R113 R119 R122 R74 R76 R80 R78
45	S25003-2000SMT	2	SRES.200.2512.5%.1W.TR.NP	R132 R133
46	S25001-1011SMT	7	SRES.1.0K.1206.1%.18W.NP	R183
47	S25001-7500SMT	1	SRES.750.1206.1%.18W.NP	R183
48	S25001-6110SMT	2	SRES.511.MF.1206.1%.18W.TR	R24 R23
49	S25001-1004SMT	2	SRES.1M.1206.1%.18W.TR	R212 R211
50	S25001-2872SMT	4	SRES.28.7K.1206.1%.18W.10	R187 R114 R100 R72

51	S25001-3315SMT	4	SRES.3.3K.1206.1%.18W.NP	R72 R178 R120 R175
52	S25001-2412SMT	6	SRES.22.1K.1206.1%.18W.TR.NP	R37 R34 R35 R203 R4 R39
53	S25001-4750SMT	2	SRES.47.5K.1206.1%.18W.TR.NP	R1 R2
54	S25001-4750SMT	1	SRES.47.5K.1206.1%.18W.TR.NP	R109
55	S25001-1003SMT	10	SRES.10K.1206.1%.18W.200P.PM.	R58 R111 R49 R108 R115 R124 R142 R208 R207 R106
56	S25001-1213SMT	1	SRES.121K.1206.1%.14W	R2
57	S25001-3322SMT	3	SRES.33.2K.1206.1%.18W.TR.NP	R63 R65 R233
58	S25001-1000SMT	4	SRES.10K.1206.1%.18W.TR.NP	R66 R44 R56 R25
59	S25001-2412SMT	6	SRES.22.1K.1206.1%.18W.NP	R48 R46 R140 R147 R45
60	S25001-2671SMT	1	SRES.2.67K.1206.1%.18W.TR.NP	R109
61	S25001-1008SMT	3	SRES.10K.1206.1%.18W.NP	R111 R105
62	S25001-6811SMT	2	SRES.6.81K.1206.1%.18W.NP	R127 R130
63	S25001-1500SMT	2	SRES.150.1206.1%.18W.TR.NP	R196 R179
64	S25006-10R9	10	SRES.10	R151 R154 R157 R160 R148 R161 R158 R155 R152 R149
65	S25020-2SMT	5	STRA.2M4803.S023.TR.500V75N	Q17 Q16 Q15 Q13 Q14
66	S25001-45SMT	2	STRA.RL1P120A.10A.100V.MCSP.E1	Q2 Q19
67	S25020-1SMT	9	STRA.MMBT4401LT.NPN.SOT-23	Q12 Q4 Q7 Q5 Q6 Q1 C18 Q19 Q20
68	S25001-45SMT	2	STRA.2N2907.NPN	Q41 Q9
69	S25001-15SMT	1	SICS.RF7050.NP	Q11
70	S24200-4	3	CON.4P.TIN.MINI.NP	JS J11 J2
71	S24200-5	1	CON.2P.TIN.MINI.NP	49
72	S24200-2	2	CON.2P.TIN.MINI.NP	J10A J10B
73	S18248-10	1	CON.18P.MINI.NP	J3
74	S18248-16	1	CON.18P.MINI.NP	J1
75	S24200-16	2	CON.18P.TIN.MINI.NP	J6 J7
76	S24200-12	1	CON.12P.TIN.MINI.NP	J4
77	S24200-4	1	CON.4P.TIN.MINI.NP	J8
78	S2035-4SMT	1	SICS.MX4863A.NP	X29
79	S25006-2SMT	1	SICS.74ACT273.OCTAL.TRANS.LAT	X21
80	S25070-7SMT	1	SICS.TMS320C240.NP	X22
81	S15000-28SMT	4	SICS.HCPL0601.OPTOCOUPLER	Q611 Q622 Q633 Q634
82	S20033-1	1	SICS.AN6297	X28
83	S25001-1SMT	1	SXL1.18M.HC.1400.ZIPP.NP	X11
84	S20353-1SMT	1	SICS.MC14507.RECEIVER/DRVR.RS	X16
85	S25007-3SMT	2	SICS.ADC0117.SPI.T.CAN.2S.WVT.S08	X13 X31
86	S17000-1SMT	1	TRAY.6S.NE.W.PACKAGE	X30
87	S15128-13SMT	1	SICS.OP.27G.OP.AMP.S08.TR.NP	X1
88	S15128-18SMT	3	SICS.MC80376.QUAD.OP.AMP.S01A1	X8 X14 X20
89	S25006-3SMT	1	SICS.28930085-50.FLASH.BIO.IGN	X12
90	S25009-4SMT	1	SICS.129K16.20S.TSOP	X27
91	MT1010-14SMT	1	SICS.MC68032	X24
92	S25008-8SMT	1	SICS.MC79L06ABD	X4
93	S25006-3SMT	2	SICS.74VHC14.NP	X10 X30
94	S25001-2SMT	1	SICS.A29434KAP10	X6 X32
95	MT1010-5SMT	1	SICS.7945.016.pack.ign	X12
96	S15015-21SMT	2	SICS.MC44518M	X2 X3
97	S25001-2SMT	1	SICS.AN6297	X11
98	S25070-3SMT	1	SICS.XC9336-15.VD44	X17
99	S15128-18SMT	3	SICS.MC80376.QUAD.OP.AMP.S01A1	X8 X14 X20
100	S15128-21SMT	2	SICS.LT1016.COMPARATOR	X5 X7
101	S19899-8	1	SMT.78055.DIP.SPST.RP.NP	S1
102	S25001-2SMT	1	SICS.AD786C.DUAL.CMPT.20KSPS	X19
103	S25008-7SMT	1	SICS.4.6V.2%VOLT.DETECTOR.S0	X24
104	S25070-4SMT	1	SICS.XC9320.PPKA	X18
105	S20600-1003	4	RES.100K.AX.5%.10W.H.VOLT.TR	R73 R79 R75 R77
106	S25040-12SMT	6	SDIO.MURS30213.3A.30V.VL.TRAFAS	D61 D65 D66 D67 D68 D99 D100 D101
107	S25001-2SMT	1	SCAP.100uF.80V.50V.100V.2%	C15 C16 C52 C55 C27
108	S25001-1002SMT	6	SRES.10K.1206.1%.18W.NP	R223 R224 R44 R56 R27 R228
109	T12702-60	2	DIO.1N5338B	D23 D24
110	T12702-60	2	DIO.1N5338B	D23 D24
111	S25049-2SMT	4	SDIO.MBR133L.T3.1A.30V.SCHOTTKY	D76 D77 D114 D115
112	S25001-3335SMT	6	SRES.332.1206.1%.14W	R262 R263 R264 R265 R266 R267
113	S25040-4SMT	6	SDIO.BAV71	D44 D45 D46 D47 D48 D41

BUY AS  
**L11088-1D0**  
 PART NO. IDENTIFICATION CODE

- NOTES:
- N.A. **CAUTION:** THIS DEVICE IS SUBJECT TO DAMAGE BY STATIC ELECTRICITY. LINCOLN ELECTRIC TO SEE **E2454** BEFORE HANDLING.
  - N.B. SECURE P.C. BOARD ASSEMBLY IN PLACE WITH **(ITEM 3)** (2 PLACES).
  - N.C. TOP OF THESE COMPONENTS MUST BE FREE OF POTTING MATERIAL.
  - N.D. IDENTIFY COMPLETE ASSEMBLY WITH A PRINTED LABEL PER E3867.
  - N.E. THERE ARE COMPONENTS ON BOTTOM SIDE OF P.C. BOARD.
  - N.F. PROGRAM **ITEM 89** WITH **ITEM 6**.
  - N.G. PROGRAM **ITEM 98** WITH **ITEM 7**.

- N.J. PLACE CONNECTOR KEYING PLUG **(ITEM 9)** OVER HEADER PIN, IN LOCATION SHOWN. PLUG SHOULD BE INSERTED BELOW CONNECTOR TOP SURFACE.
- N.K. ALL CONNECTORS MUST BE GREASED WITH **(ITEM 5)** PRIOR TO ENCAPSULATION.
- N.L. ENCAPSULATION PER **E1911-E** TO A MINIMUM DEPTH, SUCH THAT ALL COMPONENT LEADS ARE COVERED.

CAPACITORS = MFD/VOLTS  
 INDUCTANCE = HENRIES  
 RESISTANCE = OHMS

**BUY PER E3867**  
**TEST PER E3856-C**

THIS SHEET CONTAINS PROPRIETARY INFORMATION OWNED BY THE LINCOLN ELECTRIC COMPANY AND IS NOT TO BE REPRODUCED, DISCLOSED OR USED WITHOUT THE EXPRESS WRITTEN PERMISSION OF THE LINCOLN ELECTRIC COMPANY, CLEVELAND, OHIO U.S.A.			
UNLESS OTHERWISE SPECIFIED TOLERANCE MANUFACTURING TOLERANCE PER E2056	Chg. Sheet No.	"X" INFO.	DESIGN INFORMATION
ON 2 PLACE DECIMALS IS ± .02	6-2-2000A	XM5626	DRAWN BY: FV
ON 3 PLACE DECIMALS IS ± .002		XE-UF	ENGINEER: T. DONNELL
ON ALL ANGLES IS ± .5 OF A DEGREE			SUPERSEDING
MATERIAL TOLERANCE ("I") TO AGREE WITH PUBLISHED STANDARDS			APPROVED:
DO NOT SCALE THIS DRAWING			

EQUIPMENT TYPE:	INVERTER WELDERS
SUBJECT:	CONTROL P.C. BOARD AS'BLY
SCALE: NONE	DATE: 4-6-99
DRAWING No.:	<b>L 11088-1</b>

**NOTE:** Lincoln Electric assumes no responsibility for liabilities resulting from board level troubleshooting. PC Board repairs will invalidate your factory warranty. **Individual Printed Circuit Board Components are not available from Lincoln Electric.** This information is provided for reference only. Lincoln Electric discourages board level troubleshooting and repair since it may compromise the quality of the design and may result in danger to the Machine Operator or Technician. Improper PC board repairs could result in damage to the machine.





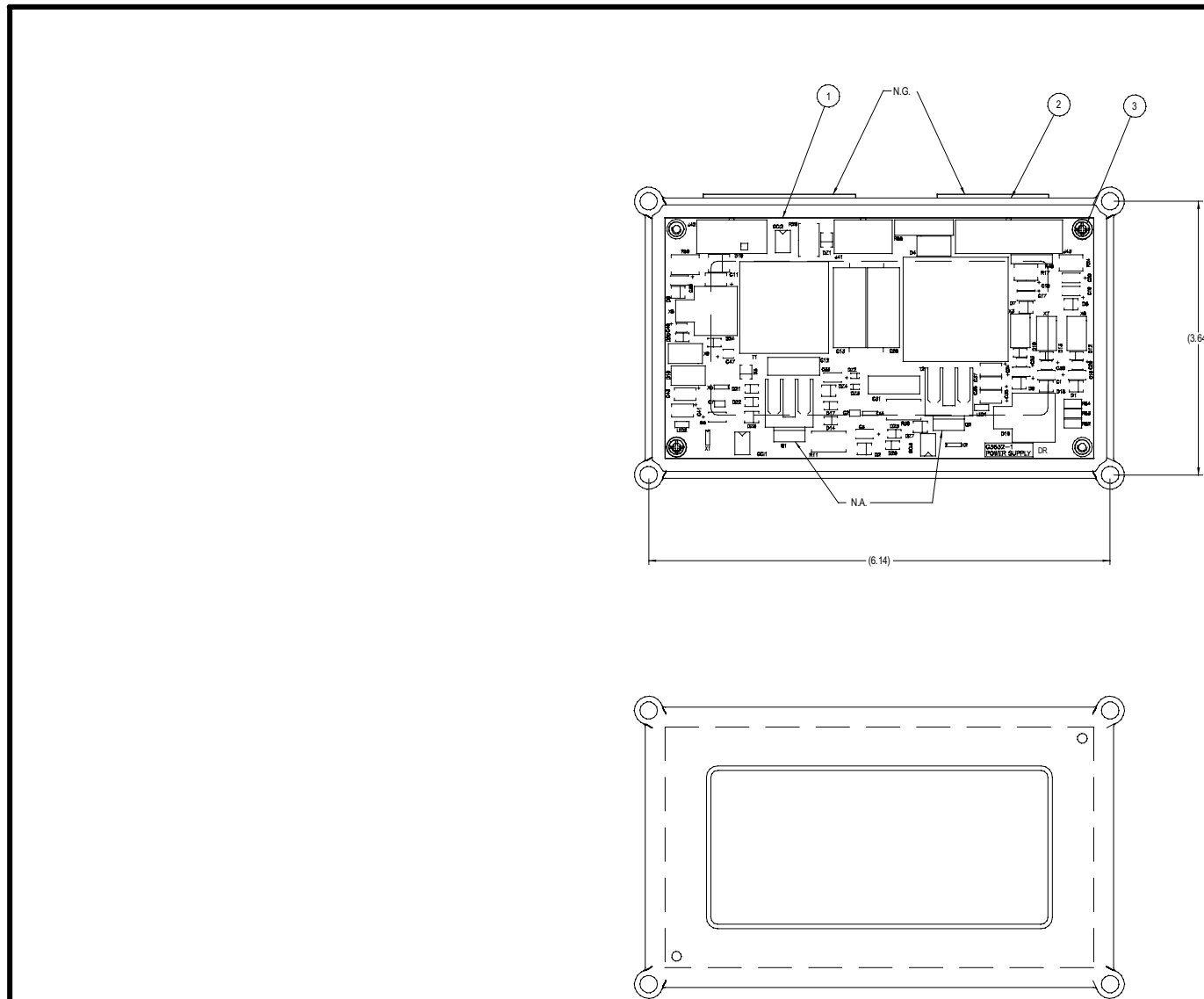
PC BOARD ASSEMBLY-POWER SUPPLY

Return to Section TOC  
Return to Master TOC

Return to Section TOC  
Return to Master TOC

Return to Section TOC  
Return to Master TOC

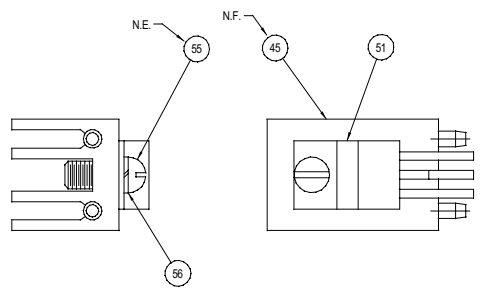
Return to Section TOC  
Return to Master TOC



ITEM	PART NUMBER	REQD.	DESCRIPTION	REFERENCE DESIGNATOR	
1	G3632-D	1	POWER PC BOARD BLANK		
2	M19436-3	1	POTTING TRAY		
3	S8025-80	2	SELF TAPPING SCREW		
4	E2527	115g (4.1 oz)	EPOXY ENCAPSULATING RESIN		
5	E2861	AS REQD	ELECTRICAL INSULATING COMPOUND		
FOR ITEMS LISTED BELOW REFER TO ELECTRONIC COMPONENT DATABASE FOR COMPONENT SPECIFICATIONS					
ITEM	PART NUMBER	QTY.	DESCRIPTION	REFERENCE	
6	N/A	1	PCB.MTP.DC POWER ASSY.NP	N/A	
7	S25001-1821SMT	2	SRES.1.82K.1206.1%.1/8W.NP	R14 R20	
8	S25001-5621SMT	3	SRES.5.62K.1206.1%.1/8W.TR.NP	R12 R28 R45	
9	S25001-1002SMT	6	SRES.10K.1206.1%.1/4W.(08X.007	R4 R13 R22 R27 R56	
10	S25001-5622SMT	2	SRES.56.2K.1206.1%.1/8W.NP(500	R38 R39	
11	S25001-1003SMT	3	SRES.100K.TKF.1206.1%.1/8W.TR.	R5 R10 R29	
12	S25001-3320SMT	2	SRES.330.1206.5%.1/4W	R41 R53	
13	S25001-2490SMT	1	SRES.249.1206.1%.1/4W.TR.NP	R33	
14	S25001-2213SMT	2	SRES.221K.1206.1%.1/8W.TR.NP	R34 R52	
15	S25005-1SMT	2	SRES.0.05.1%.2W.TR.NP	R11 R30	
16	S25009-1001SMT	1	SRES.1K.5%.2W.TR.NP	R26	
17	S25001-33R2SMT	2	SRES.33.2.1206.1%.1/4W.TR.NP	R15 R16	
18	S25001-4322SMT	2	SRES.43.2K.1206.1%.1/4W.TR.NP	R18 R49	
19	S25001-4422SMT	2	SRES.44.2K.1206.1%.1/4W.TR.NP	R42 R51	
20	S25084-1SMT	1	SRES.THERMISTOR.POS TEMP.TR.NP	R50	
21	S25084-2SMT	2	SRES.THERMISTOR.POS TEMP.TR.NP	R17 R24	
22	S25024-12SMT	11	SCAP.4.7uF.TAN.35V.20%.TR.NP	C1 C10 C17 C18 C19 C20 C24	
23	S25024-2SMT	5	SCAP.1uF.TAN.3528.35V.TR.NP	C33 C38 C3 C6	
24	S25020-4SMT	2	SCAP.820pF.0805.50V.COG.5%.TR.	C4 C8	
25	S25020-5SMT	2	SCAP.2700pF.0805.50V.X7R.5%.TR	C16 C42	
26	S25020-3SMT	12	SCAP.0.1uF.0805.50V.X7R.10%.TR	C2 C5 C7 C9 C14 C21 C22 C25	
27	S25020-18SMT	2	SCAP.10uF.CER.0805.100V.5%.TR.	C34 C39 C44 C53	
28	S25026-1SMT	1	SCAP.33uF.TAN.7343.25V.10%.TR.LOW ESR	C28 C32	
29	S25026-2SMT	5	SCAP.100uF.TAN.7343.10V.20%.TR	C35 C36 C37 C41 C43	
30	S25040-2SMT	7	SDIO.1A.400V.DO-214BA.GLS.NP	D10 D12 D13 D14 D17 D24 D25	
31	S25080-1SMT	2	SLED.RED.1206.TR.NP	LED1 LED2	
32	S25040-3SMT	2	SDIO.MURD620CT.6A.200V.ULTRA-F	D4 D18	
33	S25049-2SMT	4	SDIO.MBRA130LT3.1A.30V.SCHOTTK	D20 D21 D22 D23	
34	S25040-13SMT	1	SDIO.MURB1620CT.16A.200V	D16	
35	S25044-13SMT	1	SDIO.15MB5934BT3.24V.3W	D21	
36	S25040-5SMT	2	SDIO.MMS2524BT1.0.5W.2TV.5%.T	D22 D23	
37	S25044-12SMT	1	SDIO.15MB5913BT3.3W.3.3V.5%.TR	D24	
38	S25044-5SMT	2	SDIO.15MB5931BT3.3W.18V.5%.TR.	D27 D28	
39	S25001-1502SMT	1	SRES.15K.FXD.1206.1%.1/8W.TR	R1	
40	S25001-6191SMT	1	SRES.6.19K.1206.1%.1/8W.TR.NP	R3	
41	S25040-11SMT	8	SDIO.MURS160.1A.600V.FAST RECO	D1 D2 D3 D6 D7 D8 D9 D15	
42	S15128-10SMT	2	SICS.TL431D.LIN.V-REF.36V.40	X1 X2	
43	S25071-2SMT	2	SICS.PWM CONTROLLER.I-MODE.NP	X4 X5	
44	S15000-10	3	TRA.CNY17-3.NP	OC1 OC2 OC3	
N.A.	45	S18104-5	2	HSS.MTP.VERT MOUNT.TO220.NP	Q1 Q2 HEATSINKS
46	S18380-15	1	RES.THERMISTOR.PTC.POS TEMP.TR	R40	
47	S18380-16	1	RES.THERMISTOR.NTC.NEG TEMP.NP	R55	
48	T11577-62	2	CAP.1uF.PEMF.200V.10%.NP	C13 C26	
49	S20375-9	1	TFM.L-5763-3.FLYBACK.NP	T1	
50	S20375-10	1	TFM.L-5764-3.FLYBACK.NP	T2	
N.A.	51	T12704-93	2	TRA.BUZ30A.NMF.21A.200V.TO220.	Q1 Q2
N.B.	52	S24020-4	1	CON.4P.TIN.MINI.NP	J41
N.B.	53	S24020-6	1	CON.6P.TIN.MINI.NP	J42
N.B.	54	S24020-12	1	CON.12P.TIN.MINI.NP	J43
N.A.	55	N/A	2	SCREW	N/A
N.A.	56	N/A	2	WASHER	N/A
57	S25040-8SMT	1	SDIO.MURS360T3.NP	D19	
58	S25000-4	2	CAP.1500uF.200V.MET POLYPROP	C12 C31	
59	S25020-2SMT	1	SCAP.0.022uF.50V.X7R	C49	
60	S25020-13SMT	4	SCAP.150pF.0805.100V.COG.5%	C27 C45 C46 C52	
61	S25002-47R5SMT	4	SRES.47.5.1210.5%.1/2W.TR.NP	R6 R7 R57 R58	
62	S25000-10R0SMT	3	SRES.10.TKF.0805.1%.1/10W	R9 R60 R61	
63	S25002-30R1SMT	2	SRES.30.1.FXD.1210.5%.1/2W.TR	R35 R36	
64	S25068-9SMT	1	STRA.78M15C.DPACK	X3	
65	S15128-6SMT	1	STRA.7815C.DPACK	X8	
66	S25068-10SMT	1	STRA.79M15C.DPACK	X9	
67	S25002-2491SMT	2	SRES.2.49K.1210.5%.1/2W.TIR	R19 R23	
68	S25002-1211SMT	3	SRES.1.21K.1210.5%.1/2W.TR.NP	R46 R48 R57	
69	S25002-1500SMT	5	SRES.150.1210.5%.1/2W.TR.NP	R25 R44 R62 R63 R64	
70	S25001-4750SMT	1	SRES.475.1206	R8	
71	N/A	2	SHSS.MTP.D2PACK.TO263	X8 D16 HEATSINKS	
72	S25001-4753SMT	1	SRES.475K.1206.1%.1/8W	R21	
73	S25001-15R0SMT	2	SRES.15.1206.1%.1/8W	R43 R32	
N.A., N.F.	74	E1868	0.002	THERMALLOY THERMALCOTE 251	Q1 Q2 HEATSINK COMP
75	S25001-7502SMT	1	SRES.75K.1206.1%	R31	
76	S25068-1SMT	2	SICS.78M05.DPAK.V-REG	X6 X7	

NOTES:

- N.A. SEE HEAT SINK MOUNTING DETAILS.
- N.B. ALL CONNECTORS MUST BE GREASED WITH ITEM 5 PRIOR TO ENCAPSULATION.
- N.C. ATTACH ITEM 1 TO ITEM 2 (2 PLACES) WITH ITEM 3 (TORQUE = 5.3 +/- .05 IN-LB). ITEM 1 SHOULD BE ALLIGNED SO THAT THE DISTANCE BETWEEN ITEM 1's CONNECTORS AND ITEM 2 IS AS LARGE AS POSSIBLE.
- N.D. ENCAPSULATION PER E1911-E TO A MINIMUM DEPTH SO ALLOF THE COMPONENTS LEADS ARE COVERED.
- N.E. TIGHTEN TO 6-8 in. lbs. WITHOUT APPLYING ANY PRESSURE TO PLASTIC CASE OF ITEM 51.
- N.F. PLACE A HEAVY FILM OF ITEM 74 ON HEATSINK SURFACE- DO NOT GET ON THREADS.
- N.G. PLACE BARCODED ASSEMBLY NUMBER IDENTIFICATION AND BARCODED SERIAL NUMBER IDENTIFICATION IN AREA SHOWN.



HEATSINK MOUNTING DETAIL

BUY AS  
G3632-2D0  
IDENTIFICATION CODE  
PART NO.

CAPACITORS = MFD/VOLTS  
INDUCTANCE = HENRIES  
RESISTANCE = OHMS

BUY PER E3867  
TEST PER E3856-P

THIS SHEET CONTAINS PROPRIETARY INFORMATION OWNED BY THE LINCOLN ELECTRIC COMPANY AND IS NOT TO BE REPRODUCED, DISCLOSED OR USED WITHOUT THE EXPRESS WRITTEN PERMISSION OF THE LINCOLN ELECTRIC COMPANY, CLEVELAND, OHIO U.S.A.			
UNLESS OTHERWISE SPECIFIED TOLERANCES: MANUFACTURING TOLERANCE FOR DIMENSIONS: ON 2 PLACE DECIMALS IS ± .02 ON 3 PLACE DECIMALS IS ± .002 ON ALL ANGLES IS ± 0.5 OF A DEGREE DIMENSIONAL TOLERANCES TO AGREE WITH PUBLISHED STANDARDS DIMENSIONS UNLESS OTHERWISE SPECIFIED	Ctp. Sheet No. 8-2-2000A XINFO. XM5826 DRAWN BY: TK/FV ENGINEER: T KOOPEN APPROVED:	DESIGN INFORMATION REFERENCE: G3632-1C1 SUPERSEDING:	EQUIPMENT TYPE: INVERTER WELDERS SUBJECT: DIGITAL POWER PC BD. ASBLY. SCALE: NONE DATE: 12-09-99 DRAWING No.: G 3632-2

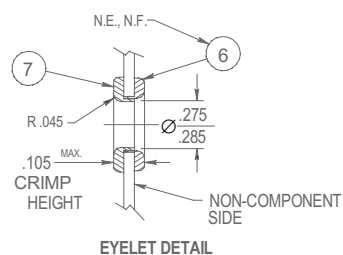
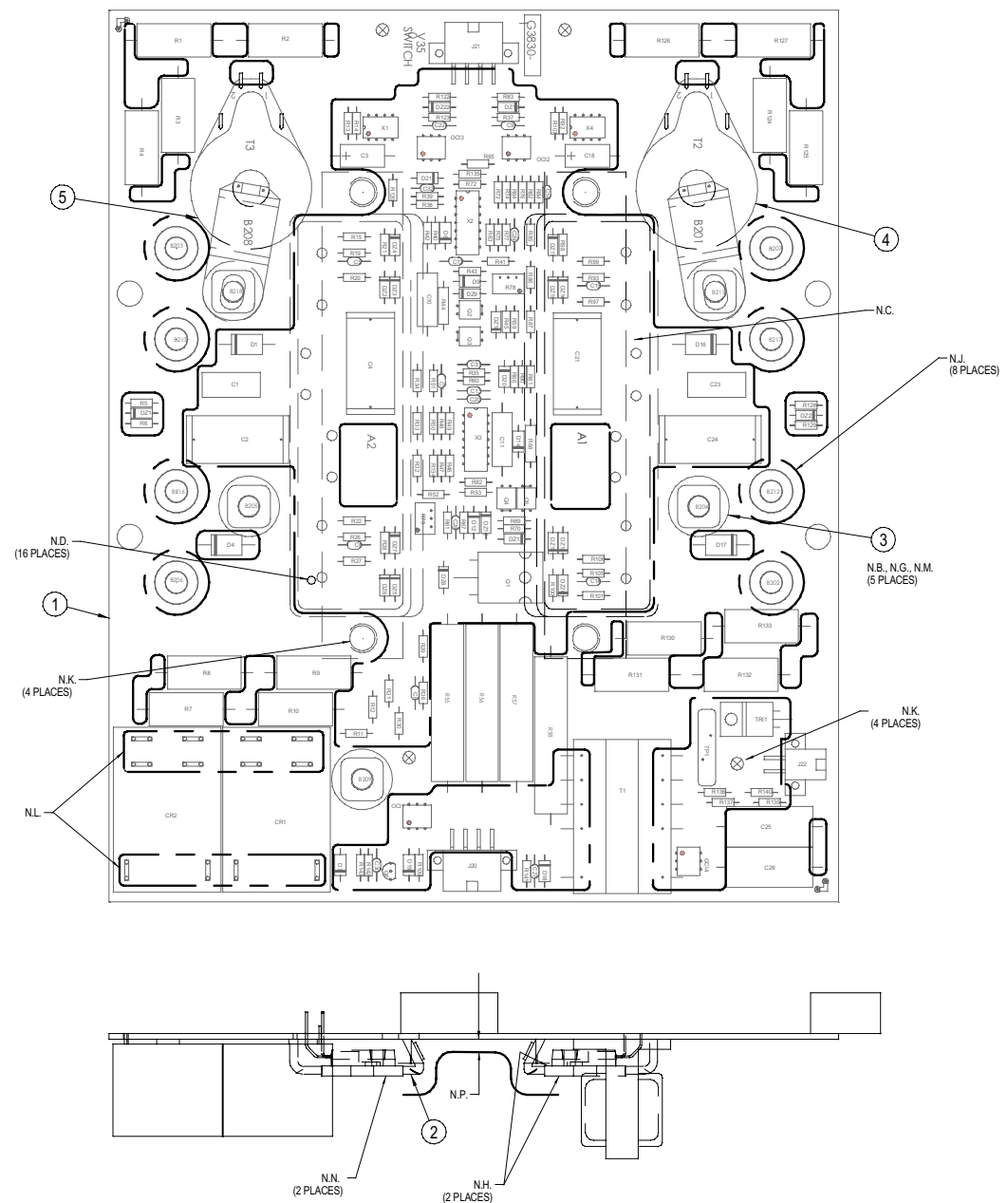


NOTE: Lincoln Electric assumes no responsibility for liabilities resulting from board level troubleshooting. PC Board repairs will invalidate your factory warranty. Individual Printed Circuit Board Components are not available from Lincoln Electric. This information is provided for reference only. Lincoln Electric discourages board level troubleshooting and repair since it may compromise the quality of the design and may result in danger to the Machine Operator or Technician. Improper PC board repairs could result in damage to the machine.

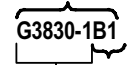


PC BOARD ASSEMBLY-SWITCH

Return to Section TOC
Return to Section TOC
Return to Section TOC
Return to Section TOC
Return to Section TOC
Return to Section TOC
Return to Section TOC
Return to Section TOC



MANUFACTURED AS:



IDENTIFICATION CODE

PART NO.

- NOTES:
N.A. CAUTION: THIS DEVICE IS SUBJECT TO DAMAGE BY STATIC ELECTRICITY...
N.B. SNAP POWER TERMINALS INTO COMPONENT SIDE OF BOARD...
N.C. THIS AREA TO BE COVERED ON BOTH SIDES OF BOARD...
N.D. INJECT SEALANT ITEM 8 THROUGH THE PC BOARD TO SEAL MODULE LEADS...
N.E. FEMALE EYELET TO BE AGAINST THE NON-COMPONENT SIDE AS SHOWN...
N.F. SOLDER EYELET SO THAT SOLDER COVERS ENTIRE EYELET AND ALL AROUND EYELET ON COPPER SIDE ONLY...
N.G. AFTER SOLDERING, INSPECT POWER TERMINAL CONNECTIONS TO ENSURE SOLDER HAS PROPERLY WET COMPONENT SIDE PAD ON A MINIMUM OF 3 OF THE 4 LEGS OF THE POWER TERMINAL...
N.H. BAR MUST BE FREE OF ENCAPSULATION MATERIAL ON BOTH SURFACES AROUND MOUNTING HOLES AND ENTIRE LENGTH OF MOUNTING SURFACE...
N.J. DO NOT COAT WITH ENCAPSULATION MATERIAL, TOP AND BOTTOM, .80 +/- .05" DIA. FOR A DIAMETER OF .50" FOR THE LARGER HOLES, AND .25 FOR THE SMALLER HOLES, BOTH SIDES OF BOARD, (4 PLACES)...
N.L. THIS AREA TO BE COVERED ON COMPONENT SIDE OF BOARD WITH SEALANT PRIOR TO ENCAPSULATION...
N.M. THIS AREA TO BE COVERED ON OPPOSITE COMPONENT SIDE OF BOARD WITH ITEM 8 PRIOR TO ENCAPSULATION...
N.N. THESE SURFACES MUST BE MAINTAINED CO-PLANAR WITHIN .010" THROUGH ENTIRE SOLDERING AND SEALING PROCESS...
N.P. SEALANT HEIGHT BETWEEN MODULES NOT TO EXCEED .17" MAX.

Table with columns: ITEM, REQ'D, PART NO., IDENTIFICATION. Lists various components like capacitors, diodes, resistors, and transistors.

CAPACITORS = MFD/VOLTS
INDUCTANCE = HENRIES
RESISTOR = OHMS

Table with columns: ITEM, PART NO., DESCRIPTION, QTY. Lists items like P.C. BOARD BLANK, ELECTRONIC MODULE, TERMINAL, CURRENT TRANSDUCER, POWER TERMINAL, EYELET-FEMALE, EYELET-MALE, SEALANT.

MAKE PER E1911
ENCAPSULATE WITH E1844, 3 COATS
TEST PER E3817-SW

Table with columns: Dwg. Sheet No., DATE, DESIGNED, DRAWN, CHECKED, APPROVED, EQUIPMENT TYPE, SUBJECT, SCALE, DATE, DRAWING No. Includes drawing metadata and title block information.

NOTE: Lincoln Electric assumes no responsibility for liabilities resulting from board level troubleshooting. PC Board repairs will invalidate your factory warranty. Individual Printed Circuit Board Components are not available from Lincoln Electric.







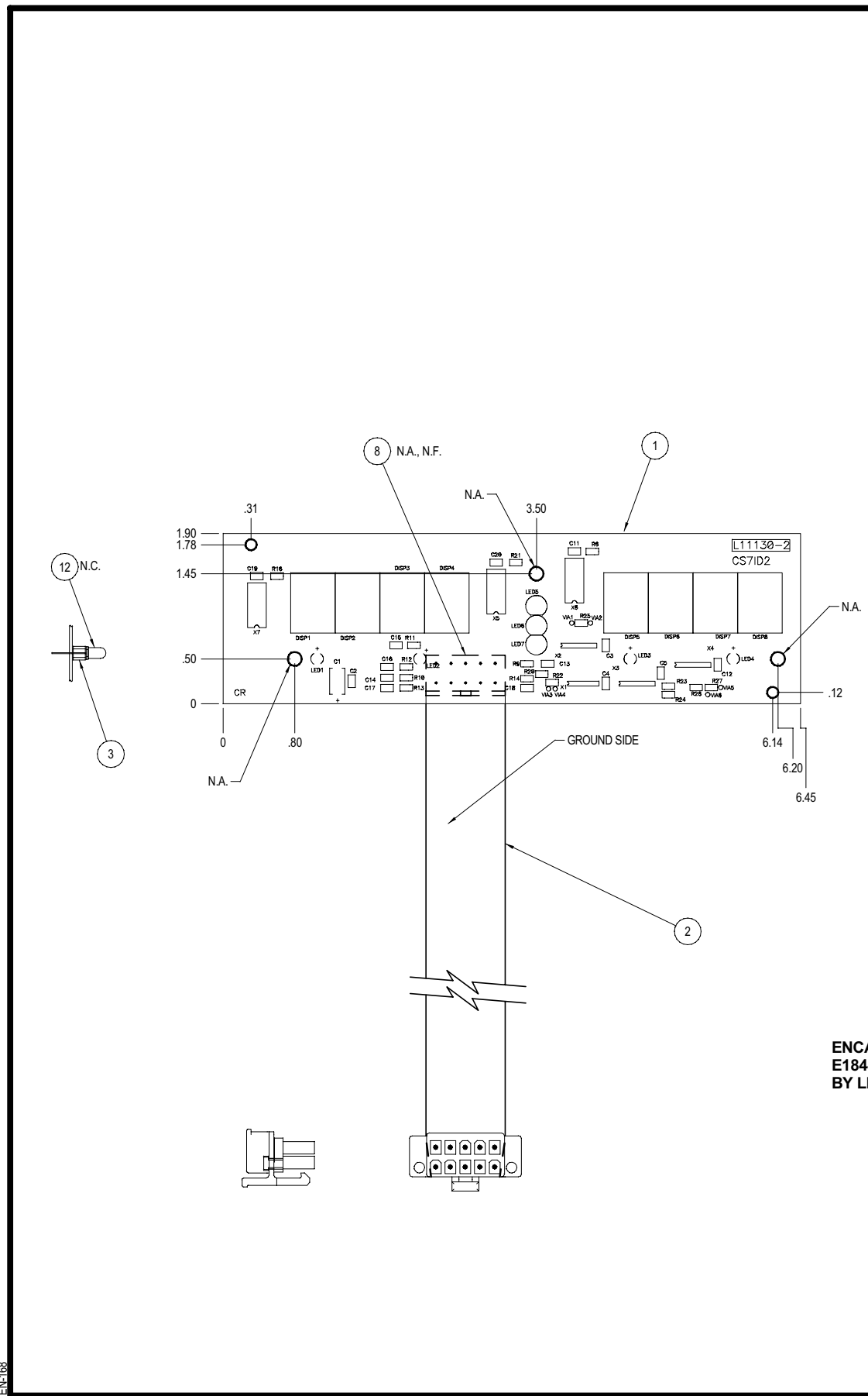
PC BOARD ASSEMBLY-DISPLAY

Return to Section TOC  
Return to Master TOC

Return to Section TOC  
Return to Master TOC

Return to Section TOC  
Return to Master TOC

Return to Section TOC  
Return to Master TOC



ITEM	PART NO.	DESCRIPTION	REQ'D	REFERENCE DESIGNATOR	
1	G3856-C	DISPLAY PC BOARD BLANK	1		
2	L11130-1	FLEX CIRCUIT	1		
3	T15176-2	LED, SPACER, 0.140 HIGH	4		
4	E3539	ELEC. INSUL. COMPOUND	.01 oz		
FOR ITEMS BELOW REFER TO ELECTRONIC COMPONENT DATABASE FOR COMPONENT SPECIFICATIONS					
5	S25020-3SMT	CAPACITOR,SMD,CERAMIC,0.1MF,50V,10%,X	8	C2,C3,C4,C5,C11,C12,C19,C20	
N.E.	6	S25020-8SMT	CAPACITOR,SMD,CERAMIC,47PF,50V,5%,COG	0	C13,C14,C15,C16,C17,C18
	7	S25024-7SMT	CAPACITOR,SMD,TANTALUM,47MF,20V,10%,S	1	C1
	8	S18248-10	CONNECTOR,MOLEX,MINI,PCB,10-PIN	1	J37
N.B.	9	S20496-1SMT	IC,SMD,CMOS,DRIVER,DISPLAY,LED,CC,MCU	3	X5,X6,X7
N.B.	10	S17900-28SMT	IC,SMD,CMOS,HEX INVERTING BUFFER,3-ST	1	X3
N.B.	11	S17900-8SMT	IC,SMD,CMOS,INVERTER,SCHMITT,HEX,HC14	1	X1
N.A.	12	T13657-6	LED,T-1,RED,HLM-P,K101	4	LED1,LED2,LED3,LED4
N.A.,N.D.	13	S17395-6	LED,DISPLAY,7-SEGMENT,CC,BRIGHT	8	DISP1,DISP2,DISP3,DISP4,DISP5,DISP6,DISP7,DISP8
N.A.	14	T13657-12	LED,T-1,34,YELLOW,HI-INTENSITY	3	LED5,LED6,LED7
N.B.	15	S17900-26SMT	IC,CMOS,SMD,MUX,DAT,8-INPUT,HC151(SS)	1	X2
	16	S25000-1001SMT	RESISTOR,SMD,METAL FILM,110W,1.00K,1	2	R21,R26
	17	S25000-1501SMT	RESISTOR,SMD,METAL FILM,110W,1.50K,1	2	R6,R16
	18	S25000-4751SMT	RESISTOR,SMD,METAL FILM,110W,4.75K,1	1	R24
	19	S25000-10R0SMT	RESISTOR,SMD,METAL FILM,110W,10.0OHM	3	R22,R23,R25
	20	S25000-1212SMT	RESISTOR,SMD,METAL FILM,110W,12.1K,1	6	R9,R10,R11,R12,R13,R14
	21	S25000-4752SMT	RESISTOR,SMD,METAL FILM,110W,4.75K,1	1	R27
	22	S25000-2670SMT	RESISTOR,SMD,METAL FILM,110W,267OHMS	1	R20
N.B.	23	S17900-10SMT	IC,SMD,CMOS,REGISTER,SHFT,S-PI/SO,8-BI	1	X4

UNLESS OTHERWISE SPECIFIED:  
CAPACITORS = MFD/VOLTS  
INDUCTANCE = HENRIES  
RESISTANCE = OHMS



- NOTES:
- N.A. DO NOT COAT WITH ENCAPSULATION MATERIAL.
  - N.B. **CAUTION:** THIS DEVICE IS SUBJECT TO DAMAGE BY STATIC ELECTRICITY. SEE E2454 BEFORE HANDLING.
  - N.C. USE **ITEM 3** TO STAND **ITEM 12** FROM THE P.C. BOARD. THERE MUST NOT BE MORE THAN .020 GAP BETWEEN SPACER AND P.C. BOARD OR BETWEEN SPACER AND LED. ENCAPSULATE P.C.BOARD, SPACER AND LOWER HALF OF LED.
  - N.D. **DISP 1** THRU **DISP 8** MUST ALWAYS BE MATCHED BY VENDOR NAME. **DO NOT** MIX DIFFERENT VENDORS ON THE SAME BOARD ASSEMBLY.
  - N.E. DO NOT INSERT THESE COMPONENTS.
  - N.F. CONNECTOR MUST BE GREASED WITH **ITEM 4** PRIOR TO ENCAPSULATION.

ENCAPSULATE WITH HUMISEAL 1A27LU PER E1844 OR WITH EQUIVALENT AS APPROVED BY LINCOLN ELECTRIC COMPANY. (2 COATS)

BUY AS:

**L11130-2C0**

PART NO. IDENTIFICATION CODE

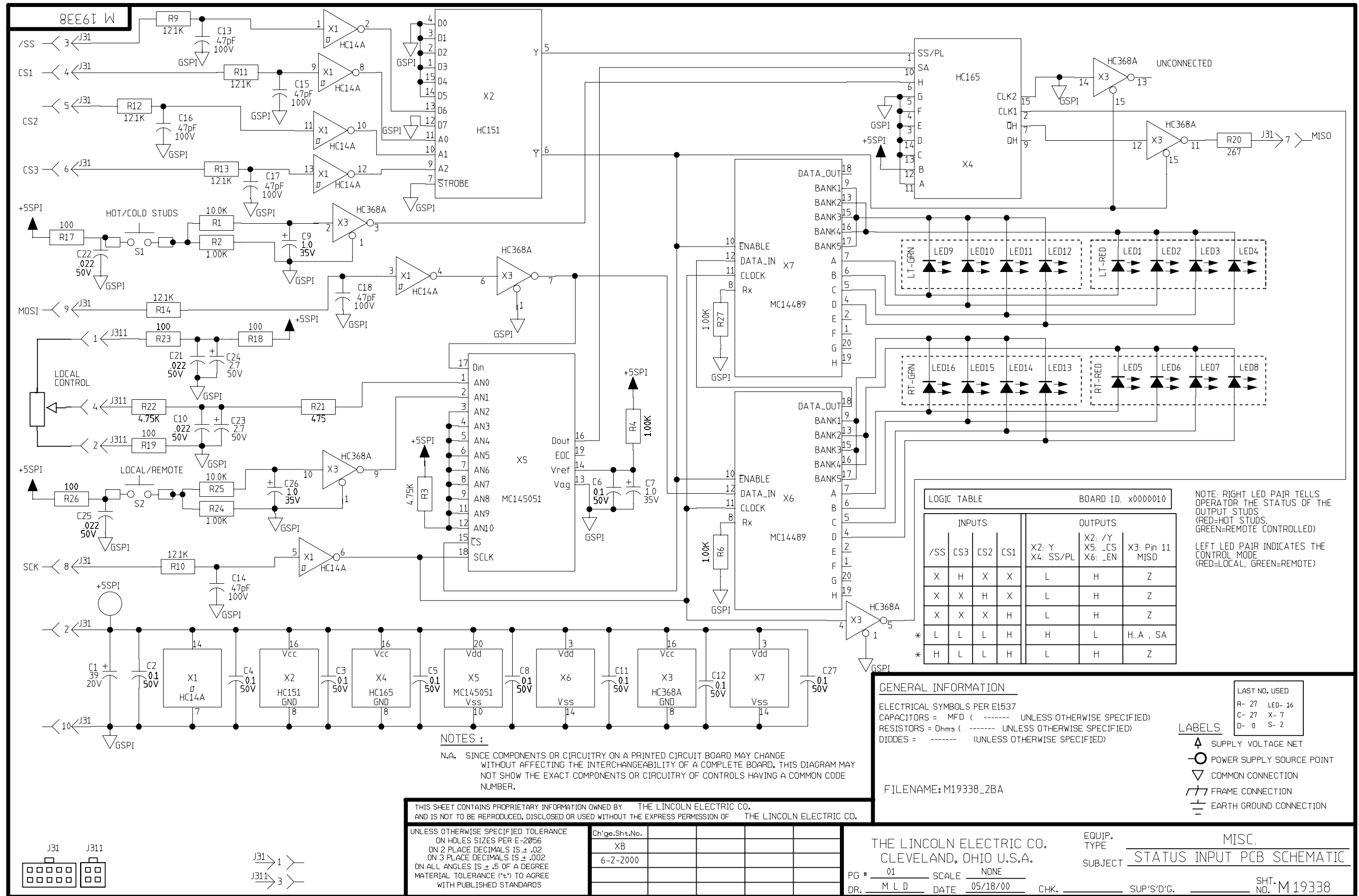
BUY PER E3867  
TEST PER E3856-D

THIS SHEET CONTAINS PROPRIETARY INFORMATION OWNED BY THE LINCOLN ELECTRIC COMPANY AND IS NOT TO BE REPRODUCED, DISCLOSED OR USED WITHOUT THE EXPRESS WRITTEN PERMISSION OF THE LINCOLN ELECTRIC COMPANY, CLEVELAND, OHIO U.S.A.			
UNLESS OTHERWISE SPECIFIED TOLERANCE: MANUFACTURING TOLERANCE PER E2056 ON 2 PLACE DECIMALS IS ±.02 ON 3 PLACE DECIMALS IS ±.002 ON ALL ANGLES IS ±.5 OF A DEGREE MATERIAL TOLERANCE ("I") TO AGREE WITH PUBLISHED STANDARDS DO NOT SCALE THIS DRAWING	"X" INFO. XIM5626 XD	Chg. Sheet No. 6-2-2000A	DESIGN INFORMATION DRAWN BY: F.V. ENGINEER: APPROVED:
REFERENCE: G3443-1B2 SUPERSEDING:	EQUIPMENT TYPE: MISCELLANEOUS	SUBJECT: SPI DISPLAY P.C. BOARD ASSEMBLY	
SCALE: FULL		DATE: 11-19-99	DRAWING No.: <b>L 11130-2</b>

**NOTE:** Lincoln Electric assumes no responsibility for liabilities resulting from board level troubleshooting. PC Board repairs will invalidate your factory warranty. **Individual Printed Circuit Board Components are not available from Lincoln Electric.** This information is provided for reference only. Lincoln Electric discourages board level troubleshooting and repair since it may compromise the quality of the design and may result in danger to the Machine Operator or Technician. Improper PC board repairs could result in damage to the machine.



SCHEMATIC -STATUS PRINTED CIRCUIT BOARD



NOTE: This diagram is for reference only. It may not be accurate for all machines covered by this manual.

Return to Section TOC  
Return to Master TOC  
Return to Section TOC  
Return to Master TOC  
Return to Section TOC  
Return to Master TOC  
Return to Section TOC  
Return to Master TOC



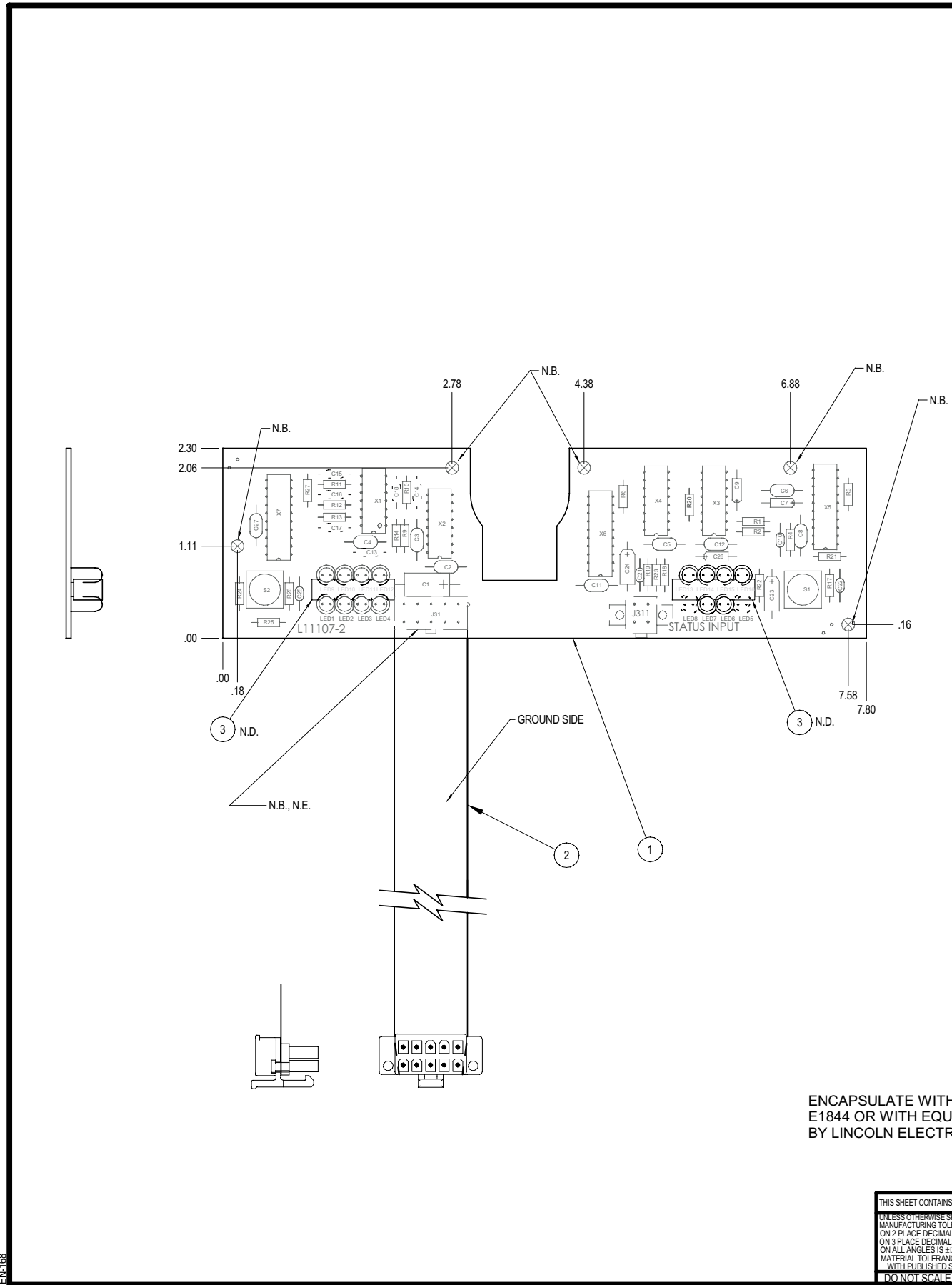
PC BOARD ASSEMBLY-STATUS

Return to Section TOC  
Return to Master TOC

Return to Section TOC  
Return to Master TOC

Return to Section TOC  
Return to Master TOC

Return to Section TOC  
Return to Master TOC



ITEM	PART NO.	REQD	P.C. BOARD REFERENCE DESIGNATORS	DESCRIPTION
1	L11107-B	1		P.C. BOARD BLANK
2	L11166-1	1		FLEX ASSEMBLY
3	E3165	2		E3165-.25-.35-1.00
4	E3539	.01 oz.		ELECTRICAL INSULATING COMPOUND
FOR ITEMS LISTED BELOW REFER TO ELECTRONIC COMPONENT DATABASE FOR COMPONENT SPECIFICATIONS				
5	S13490-104	1	C1	CAPACITOR,TAEL,39,20V,10%
6	S16668-11	9	C2,C3,C4,C5,C6,C8,C11,C12,C27	CAPACITOR,CEMO,0.1,50V,10%
7	S13490-42	3	C7,C9,C26	CAPACITOR,TAEL,1.0,35V,10%
8	S16668-5	4	C10,C21,C22,C25	CAPACITOR,CEMO,.022,50V,20%
9	S16668-3	0	C13,C14,C15,C16,C17,C18	CAPACITOR,CEMO,100P,100V,5%
10	S13490-40	2	C23,C24	CAPACITOR,TAEL,2.7,50V,10%
11	S18248-10	1	J31	CONNECTOR,MOLEX,MINI,PCB,10-PIN
12	S24020-4	1	J311	CONNECTOR,MOLEX,MINI,PCB,4-PIN
N.A.				
N.B.	13	T13657-11	14	LED 1,LED 2, LED 3, LED 4, LED 6, LED 7, LED 9, LED 10, LED 11, LED 12, LED 13, LED 14, LED 15, LED 16
N.F.				RED LED
	14	S19400-1002	2	R1, R25
	15	S19400-1001	5	R2,R4,R6,R24,R27
	16	S19400-4751	2	R3,R22
	17	S19400-1212	6	R9,R10,R11,R12,R13,R14
	18	S19400-1000	5	R17,R18,R19,R23R26
	19	S19400-2670	1	R20
	20	S19400-4750	1	R21
N.B.	21	T13381-16	2	S1,S2
N.A.	22	S17900-8	1	X1
N.A.	23	S17900-26	1	X2
N.A.	24	S17900-28	1	X3
N.A.	25	S17900-10	1	X4
N.A.	26	M15105-7	1	X5
	27	S20496-1	2	X6,X7
N.C.	28	T13657-11	0	LED 5, LED 8
				RED LED

CAPACITORS = MFD/VOLTS  
INDUCTANCE = HENRIES  
RESISTANCE = OHMS



BUY AS:

L11107-2B0

IDENTIFICATION CODE

PART NO.

NOTES:

- N.A. CAUTION: THIS DEVICE IS SUBJECT TO DAMAGE BY STATIC ELECTRICITY. SEE E2454 BEFORE HANDLING.
- N.B. DO NOT COAT WITH ENCAPSULATION MATERIAL.
- N.C. DO NOT INSERT THESE COMPONENTS.
- N.D. INSERT **ITEM 3** BETWEEN ROWS OF LED'S. **ITEM 3** MUST BE FLUSH WITH LED BULB.
- N.E. ALL CONNECTORS MUST BE GREASED WITH **ITEM 4** PRIOR TO ENCAPSULATION.
- N.F. **LED 1** THRU **LED 16** MUST ALWAYS BE MATCHED BY VENDOR NAME AND VENDOR PART NUMBER. **DO NOT** MIX DIFFERENT VENDORS OR VENDOR PART NUMBERS ON THE SAME BOARD ASSEMBLY.

ENCAPSULATE WITH HUMISEAL 1A27LU PER E1844 OR WITH EQUIVALENT AS APPROVED BY LINCOLN ELECTRIC COMPANY. (2 COATS)

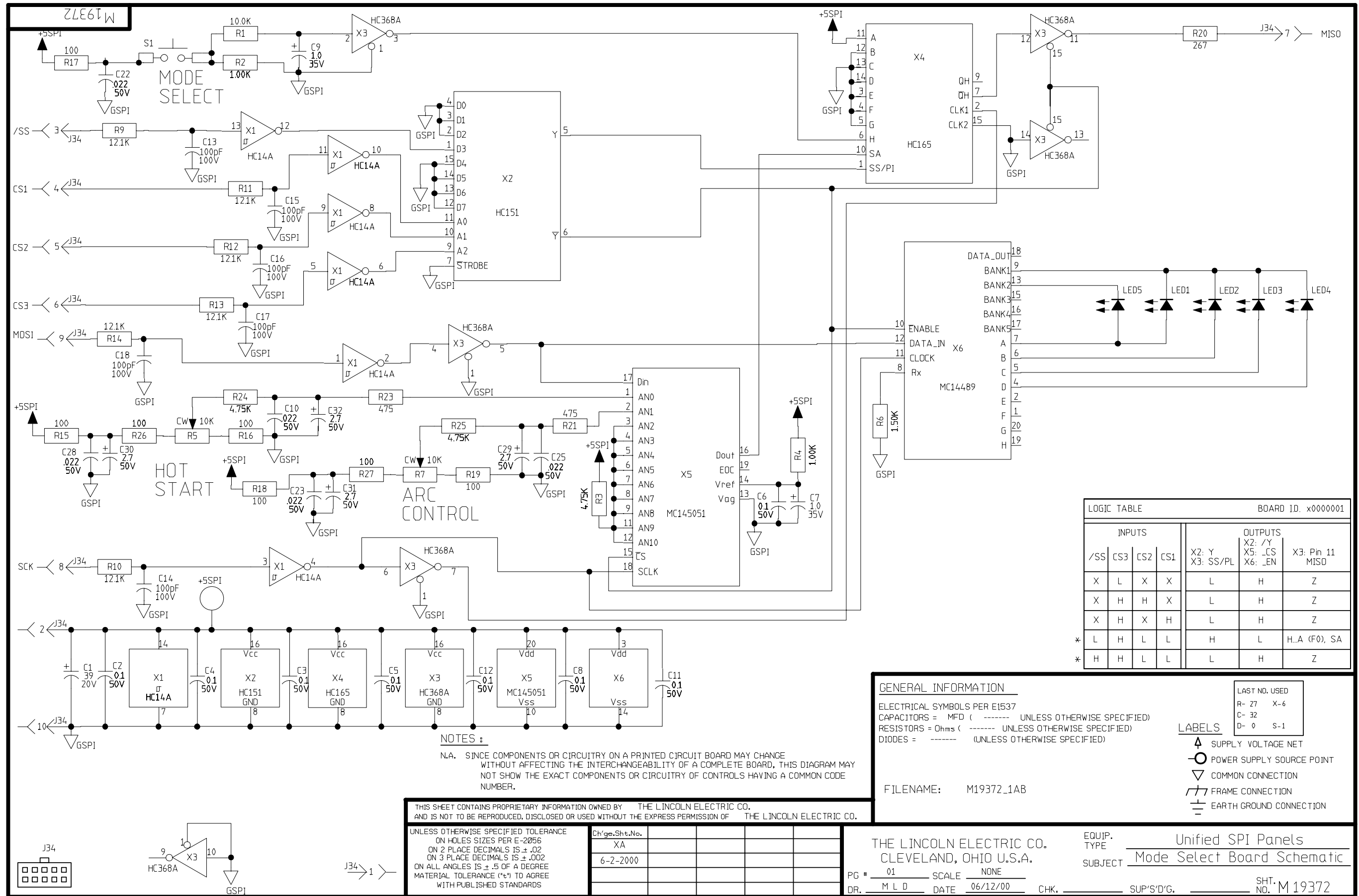
BUY PER E3867  
TEST PER E3856-ST

THIS SHEET CONTAINS PROPRIETARY INFORMATION OWNED BY THE LINCOLN ELECTRIC COMPANY AND IS NOT TO BE REPRODUCED, DISCLOSED OR USED WITHOUT THE EXPRESS WRITTEN PERMISSION OF THE LINCOLN ELECTRIC COMPANY, CLEVELAND, OHIO U.S.A.		Chg. Sheet No.		"X" INFO.		DESIGN INFORMATION		REFERENCE:		EQUIPMENT TYPE:	
UNLESS OTHERWISE SPECIFIED TOLERANCE: MANUFACTURING TOLERANCE PER E2056 ON 2 PLACE DECIMALS IS ±.02 ON 3 PLACE DECIMALS IS ±.002 ON ALL ANGLES IS ±.5 OF A DEGREE MATERIAL TOLERANCE ("I") TO AGREE WITH PUBLISHED STANDARDS DO NOT SCALE THIS DRAWING		6-2-2000A		XM5626 XD		DRAWN BY: F.V.				MISCELLANEOUS	
				ENGINEER:		SUPERSEDING:		SUBJECT:		SPI STATUS INPUT P.C. BOARD AS'BLY	
				APPROVED:				SCALE: NONE		DATE: 9-30-99 DRAWING No.: L 11107-2	

NOTE: Lincoln Electric assumes no responsibility for liabilities resulting from board level troubleshooting. PC Board repairs will invalidate your factory warranty. **Individual Printed Circuit Board Components are not available from Lincoln Electric.** This information is provided for reference only. Lincoln Electric discourages board level troubleshooting and repair since it may compromise the quality of the design and may result in danger to the Machine Operator or Technician. Improper PC board repairs could result in damage to the machine.



SCHEMATIC - MODE SELECT PRINTED CIRCUIT BOARD



LOGIC TABLE BOARD ID. x0000001

INPUTS	OUTPUTS		
	X2: Y	X5: _CS	X3: Pin 11 MISO
/SS CS3 CS2 CS1			
X L X X	L	H	Z
X H H X	L	H	Z
X H X H	L	H	Z
* L H L L	H	L	H.A (F0), SA
* H H L L	L	H	Z

**GENERAL INFORMATION**

ELECTRICAL SYMBOLS PER E1537  
 CAPACITORS = MFD ( ..... UNLESS OTHERWISE SPECIFIED)  
 RESISTORS = Ohms ( ..... UNLESS OTHERWISE SPECIFIED)  
 DIODES = ..... (UNLESS OTHERWISE SPECIFIED)

FILENAME: M19372\_1AB

LAST NO. USED  
 R- 27 X-6  
 C- 32  
 D- 0 S-1

**LABELS**

- ▲ SUPPLY VOLTAGE NET
- POWER SUPPLY SOURCE POINT
- ▽ COMMON CONNECTION
- ▬ FRAME CONNECTION
- ⊥ EARTH GROUND CONNECTION

NOTES :

N.A. SINCE COMPONENTS OR CIRCUITRY ON A PRINTED CIRCUIT BOARD MAY CHANGE WITHOUT AFFECTING THE INTERCHANGEABILITY OF A COMPLETE BOARD, THIS DIAGRAM MAY NOT SHOW THE EXACT COMPONENTS OR CIRCUITRY OF CONTROLS HAVING A COMMON CODE NUMBER.

THIS SHEET CONTAINS PROPRIETARY INFORMATION OWNED BY THE LINCOLN ELECTRIC CO. AND IS NOT TO BE REPRODUCED, DISCLOSED OR USED WITHOUT THE EXPRESS PERMISSION OF THE LINCOLN ELECTRIC CO.

UNLESS OTHERWISE SPECIFIED TOLERANCE  
 ON HOLES SIZES PER E-2056  
 ON 2 PLACE DECIMALS IS ± .02  
 ON 3 PLACE DECIMALS IS ± .002  
 ON ALL ANGLES IS ± .5 OF A DEGREE  
 MATERIAL TOLERANCE (±) TO AGREE WITH PUBLISHED STANDARDS

Ch/ge.Sht.No.	
XA	
6-2-2000	

THE LINCOLN ELECTRIC CO.  
 CLEVELAND, OHIO U.S.A.

PG # 01 SCALE NONE  
 DR. M L D DATE 06/12/00 CHK. SUP'S'D'G. SHT. NO. M19372

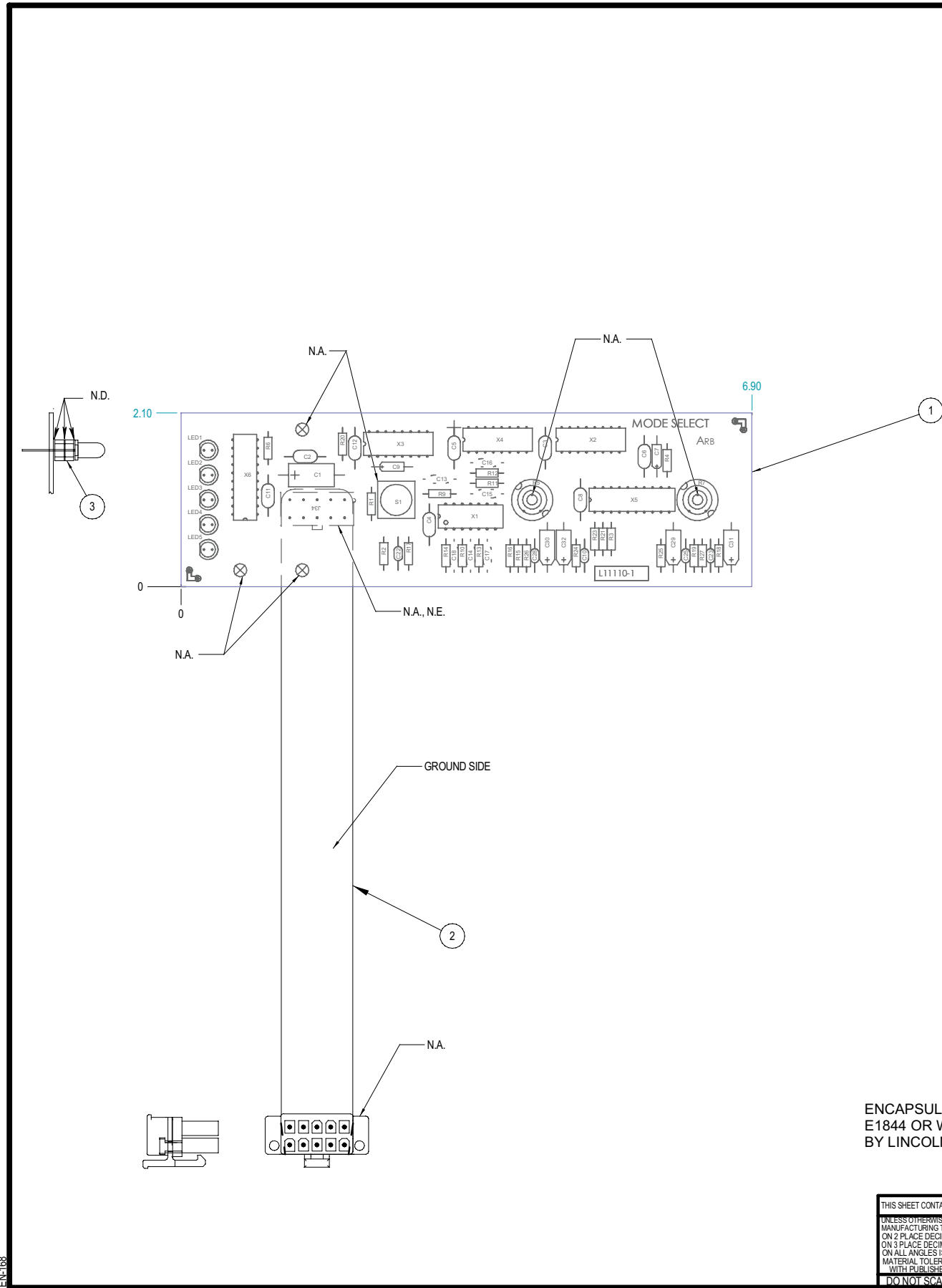
EQUIP. TYPE Unified SPI Panels  
 SUBJECT Mode Select Board Schematic

NOTE: This diagram is for reference only. It may not be accurate for all machines covered by this manual.



Return to Section TOC  
Return to Master TOC  
Return to Section TOC  
Return to Master TOC  
Return to Section TOC  
Return to Master TOC  
Return to Section TOC  
Return to Master TOC

PC BOARD ASSEMBLY-MODE SELECT



ITEM	PART NO.	REQ'D	PC BOARD REFERENCE DESIGNATORS	DESCRIPTION
1	L11110-A	1		P.C. BOARD BLANK
2	L11166-1	1		FLEX ASSEMBLY
3	T15176-1	10		LED SPACER
4	E3539	.01 oz.		ELEC. INSUL. COMPOUND
FOR ITEMS BELOW REFER TO ELECTRONIC COMPONENT DATABASE FOR COMPONENT SPECIFICATIONS				
5	S13490-104	1	C1	39/20V
6	S16668-11	8	C2,C3,C4,C5,C6,C8,C11,C12	0.1/ 50V
7	S13490-42	2	C7,C9	1.0/35V
8	S16668-5	5	C10,C22,C23,C25,C28	.022/ 50V
N.C.	S16668-2	0	C13,C14,C15,C16,C17,C18	47P/100V
10	S13490-40	4	C29,C30,C31,C32	2.7/50V
11	S18248-10	1	J34	HEADER
N.A.	T13657-11	5	LED1,LED2,LED3,LED4,LED5	RED LED
13	S19400-1002	1	R1	10.0K 1/4W
14	S19400-1001	2	R2,R4	1.00K 1/4W
15	S19400-4751	3	R3,R24,R25	4.75K 1/4W
16	S19366-1	2	R5,R7	10K 1/2W TRIMMER
17	S19400-1501	1	R6	1.50K 1/4W
18	S19400-1212	6	R9,R10,R11,R12,R13,R14	12.1K 1/4W
19	S19400-1000	7	R15,R16,R17,R18,R19,R26,R27	100 1/4W
20	S19400-2670	1	R20	267 1/4W
21	S19400-4750	2	R21,R23	475 1/4W
N.A.	T13381-17	1	S1	PUSHBUTTON SWITCH,SPST
23	S17900-8	1	X1	IC,HC14A(SS),SCHMITT INVERTER
24	S17900-26	1	X2	IC,HC151(SS),8-INPUT MULTIPLEXER
N.B.	S17900-28	1	X3	IC,3-STATE,2-BIT BUFFER
25	S17900-10	1	X4	IC,PI/SO 8-BIT(SS) SHIFT REGISTER
27	M15105-7	1	X5	IC,10-BIT (SS) A/D CONVERTER
28	S20496-1	1	X6	IC,LED DISPLAY DRIVER

CAPACITORS = MFD/VOLTS  
 INDUCTANCE = HENRIES  
 RESISTANCE = OHMS



BUY AS:

L11110-1A1

IDENTIFICATION CODE

PART NO.

NOTES:

- N.A. DO NOT COAT WITH ENCAPSULATION MATERIAL.
- N.B. **CAUTION:** THIS DEVICE IS SUBJECT TO DAMAGE BY STATIC ELECTRICITY. SEE **E2454** BEFORE HANDLING.
- N.C. DO NOT INSERT THESE COMPONENTS.
- N.D. THERE MUST NOT BE MORE THAN .010 GAP BETWEEN SPACERS, OR BETWEEN SPACER & LED, OR BETWEEN SPACER & P.C. BOARD. ENCAPSULATE P.C. BOARD, SPACERS & LOWER HALF OF LED.
- N.E. CONNECTOR MUST BE GREASED WITH **ITEM 4** PRIOR TO ENCAPSULATION.

ENCAPSULATE WITH HUMISEAL 1A27LU PER E1844 OR WITH EQUIVALENT AS APPROVED BY LINCOLN ELECTRIC COMPANY. (2 COATS)

**BUY PER E3867**  
**TEST PER E3856-MS**

THIS SHEET CONTAINS PROPRIETARY INFORMATION OWNED BY THE LINCOLN ELECTRIC COMPANY AND IS NOT TO BE REPRODUCED, DISCLOSED OR USED WITHOUT THE EXPRESS WRITTEN PERMISSION OF THE LINCOLN ELECTRIC COMPANY, CLEVELAND, OHIO U.S.A.			
UNLESS OTHERWISE SPECIFIED TOLERANCE MANUFACTURING TOLERANCE PER E2056	Chg. Sheet No.	"X" INFO.	DESIGN INFORMATION
ON 2 PLACE DECIMALS IS ±.02	6-2-2000A	XM5626	DRAWN BY: M.D.
ON 3 PLACE DECIMALS IS ±.002		XE	ENGINEER:
ON ALL ANGLES IS ±.5 OF A DEGREE WITH PUBLISHED STANDARDS			APPROVED:
MATERIAL TOLERANCE ("I") TO AGREE WITH PUBLISHED STANDARDS			REFERENCE: G3443-1B2
DO NOT SCALE THIS DRAWING			EQUIPMENT TYPE: MISCELLANEOUS
			SUBJECT: SPI MODE SELECT P.C. BD ASSEMBLY
			SCALE: FULL DATE: 2-23-99 DRAWING No.: L 11110-1

**NOTE:** Lincoln Electric assumes no responsibility for liabilities resulting from board level troubleshooting. PC Board repairs will invalidate your factory warranty. **Individual Printed Circuit Board Components are not available from Lincoln Electric.** This information is provided for reference only. Lincoln Electric discourages board level troubleshooting and repair since it may compromise the quality of the design and may result in danger to the Machine Operator or Technician. Improper PC board repairs could result in damage to the machine.





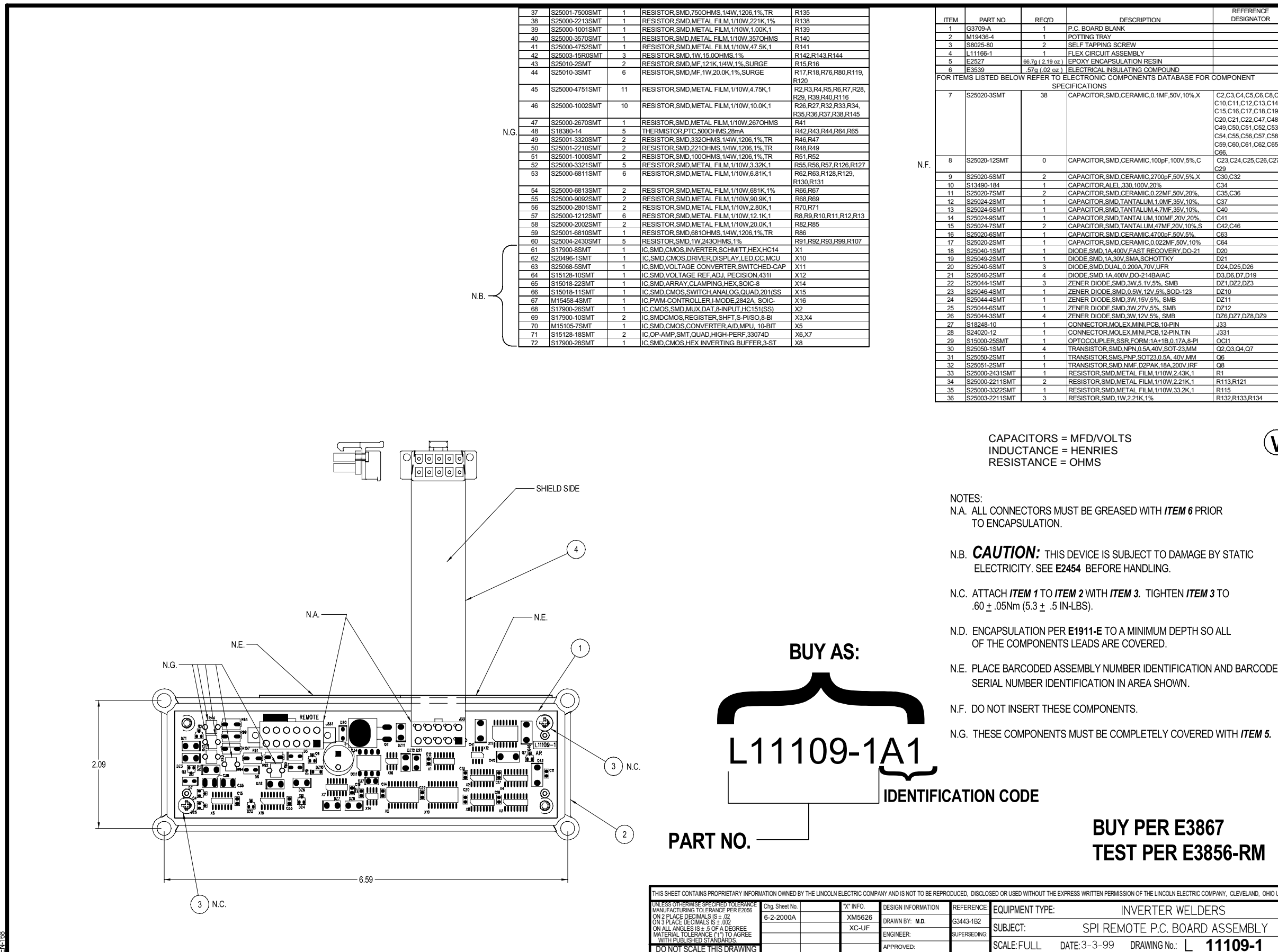
PC BOARD ASSEMBLY-REMOTE

Return to Section TOC  
Return to Master TOC

Return to Section TOC  
Return to Master TOC

Return to Section TOC  
Return to Master TOC

Return to Section TOC  
Return to Master TOC



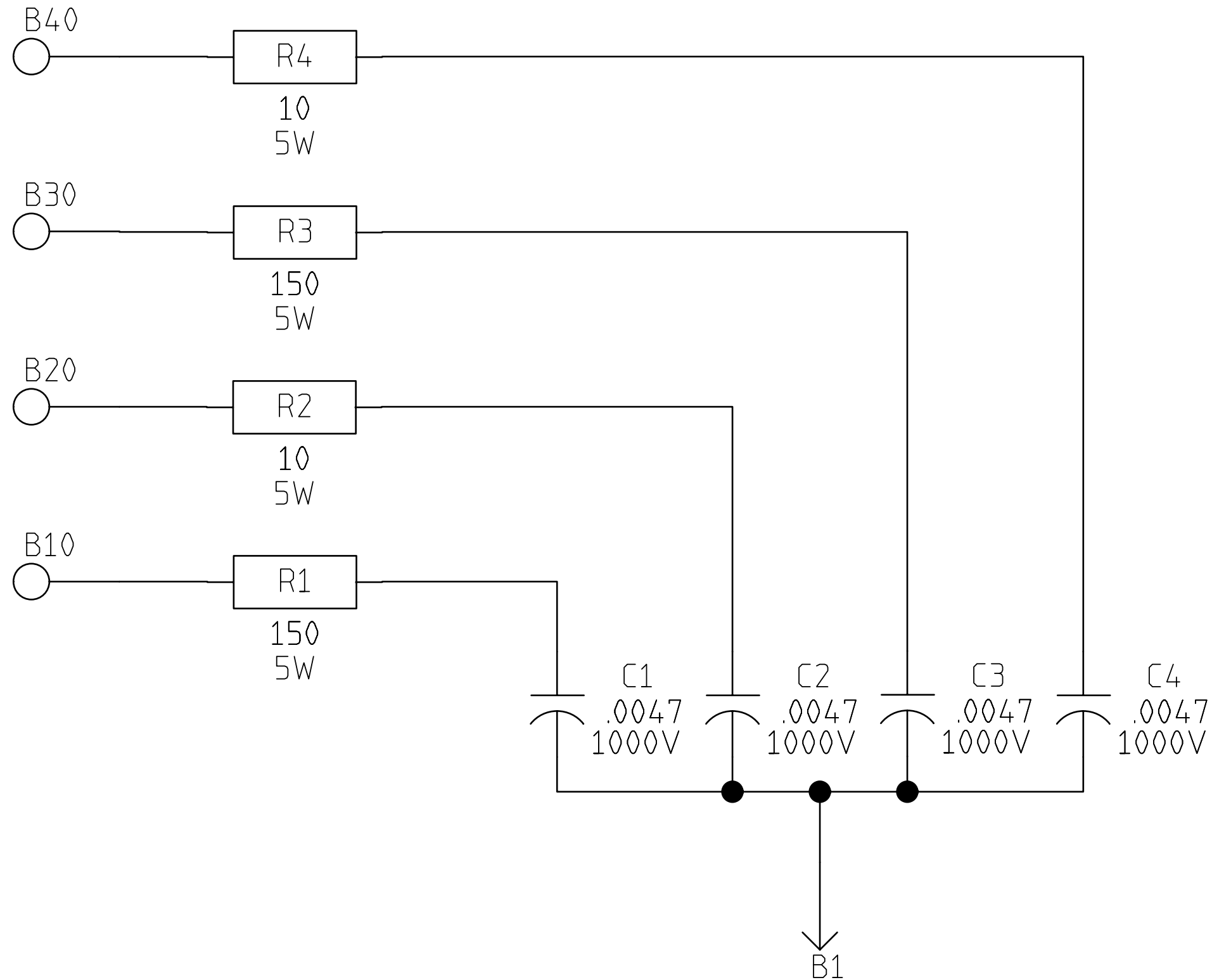
THIS SHEET CONTAINS PROPRIETARY INFORMATION OWNED BY THE LINCOLN ELECTRIC COMPANY AND IS NOT TO BE REPRODUCED, DISCLOSED OR USED WITHOUT THE EXPRESS WRITTEN PERMISSION OF THE LINCOLN ELECTRIC COMPANY, CLEVELAND, OHIO U.S.A.			
UNLESS OTHERWISE SPECIFIED TOLERANCE: MANUFACTURING TOLERANCE PER E2056 ON 2 PLACE DECIMALS IS ± .02 ON 3 PLACE DECIMALS IS ± .002 ON ALL ANGLES IS ± .5 OF A DEGREE MATERIAL TOLERANCE ("I") TO AGREE WITH PUBLISHED STANDARDS	Chg. Sheet No: 6-2-2000A	"X" INFO: XM5626 XC-UF	DESIGN INFORMATION DRAWN BY: M.D. ENGINEER: APPROVED:
REFERENCE: G3443-1B2	EQUIPMENT TYPE: INVERTER WELDERS	SUBJECT: SPI REMOTE P.C. BOARD ASSEMBLY	SCALE: FULL DATE: 3-3-99 DRAWING No.: <b>L 11109-1</b>

**NOTE:** Lincoln Electric assumes no responsibility for liabilities resulting from board level troubleshooting. PC Board repairs will invalidate your factory warranty. **Individual Printed Circuit Board Components are not available from Lincoln Electric.** This information is provided for reference only. Lincoln Electric discourages board level troubleshooting and repair since it may compromise the quality of the design and may result in danger to the Machine Operator or Technician. Improper PC board repairs could result in damage to the machine.





SCHEMATIC-SNUBBER PRINTED CIRCUIT BOARD



6-2-2000  
S24761

NOTE: This diagram is for reference only. It may not be accurate for all machines covered by this manual.

Return to Section TOC  
Return to Section TOC  
Return to Section TOC  
Return to Section TOC  
Return to Master TOC  
Return to Master TOC  
Return to Master TOC  
Return to Master TOC

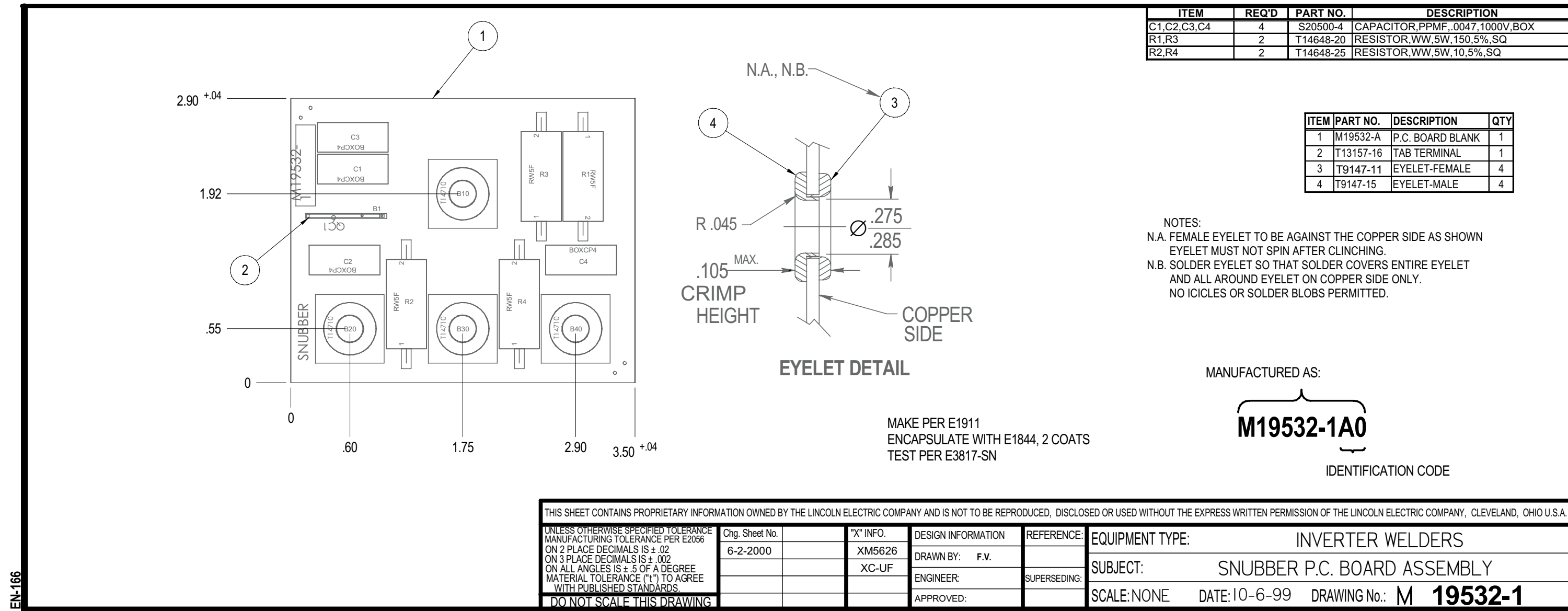
PC BOARD ASSEMBLY-SNUBBER

Return to Section TOC  
Return to Master TOC

Return to Section TOC  
Return to Master TOC

Return to Section TOC  
Return to Master TOC

Return to Section TOC  
Return to Master TOC



EN-166

SOLID EDGE

# SVM ERROR REPORTING FORM

We need to know if there are errors in our manuals. We also value any suggestions as to additional tests or procedures that would make this SVM a better tool for you.

If you discover new or different "Problems or Symptoms" that are not covered in the three column troubleshooting chart, please share this information with us. Please include the machine's code number and how the problem was resolved.

Thank You,  
Technical Services Group  
Lincoln Electric Co.  
22801 ST. Clair Ave.  
Cleveland, Ohio 44117-1199

FAX 216-481-2309

SVM Number \_\_\_\_\_

Page Number if necessary \_\_\_\_\_

Your Company \_\_\_\_\_

Your Name \_\_\_\_\_

Please give detailed description below:

---



---



---



---



---



---



---



---



---



---



---



---



---



---



---



---



---



---



---



---



---



---

SD287 01/99



## Free Manuals Download Website

<http://myh66.com>

<http://usermanuals.us>

<http://www.somanuals.com>

<http://www.4manuals.cc>

<http://www.manual-lib.com>

<http://www.404manual.com>

<http://www.luxmanual.com>

<http://aubethermostatmanual.com>

Golf course search by state

<http://golfingnear.com>

Email search by domain

<http://emailbydomain.com>

Auto manuals search

<http://auto.somanuals.com>

TV manuals search

<http://tv.somanuals.com>