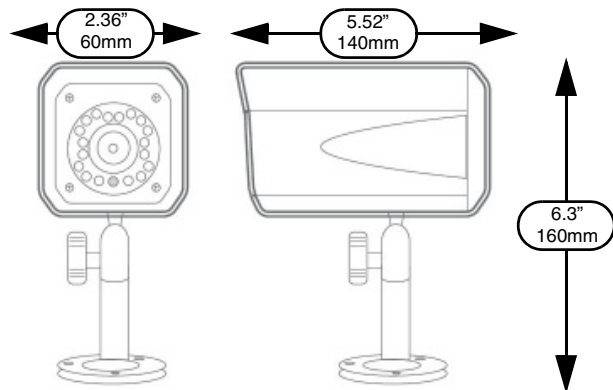


4. Camera Specifications

Specifications:

Image Sensor	1/3" Color CCD
Video Format / Pixels	NTSC: 512(H) x 492 (V) PAL: 512 (H) x 582 (V)
Horizontal Resolution	420 TVL
Sync. & Scan. Systems	Internal NTSC 525 lines 2:1 Interlace PAL 625 lines 2:1 interlace
S/N Ratio	More than 48dB @ AGC off
Iris & Shutter Speed	AES; NTSC 1/60~1/100,000 AES; PAL 1/50~1/100,000
Minimum Illumination	0.1 LUX / F2.0 (w/o IR LED)
Video Output	Comp. 1.0Vpp @ 75 ohm
Lens / Lens Mount	4.3mm Fixed
FOV (diagonal)	75 Degrees
Termination	Video: BNC Female Power: Barrel Female
IR / Night Vision Range	18 LED 850nm / 12m (40ft)
Power Source	12V DC \pm 10%
Power Consumption	250 mA Max 12V DC
Operating Temp.	14°F ~ 122°F (-10°C ~ 50°C)
Weight	560g / 19.8 oz.

Dimensions:



It's all on the web

- Product Information
- User Manuals
- Quick Start Guides
- Specification Sheets
- Software Upgrades
- Firmware Upgrades



VISIT
www.lorexcctv.com

LOREX Technology Inc.
Copyright © 2007 LOREX Technology Inc. As our products are subject to continuous improvement, LOREX and its subsidiaries reserve the right to modify product design, specifications and prices, without notice and without incurring any obligation. E&OE

Download from Www.Somanuals.com. All Manuals Search And Download.

COLOR DAY/NIGHT CCD WEATHERPROOF CAMERA

Model: SG7525 Series



Quick Set-up Guide



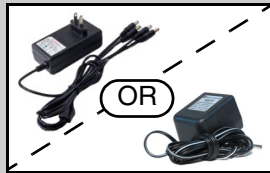
1. Package Contents



1 x Color Bullet Camera with Stand



1 x 60 ft. Extension Cable



1 x Quad 4-in-1 AC Power Adaptor -OR- 1 x Single AC Power Adaptor *

* Single power adaptor provided with Single Camera pack; Quad 4-in-1 power adaptor provided with a 4-pack Camera Bundle, providing power to all 4 cameras at once.

WARNING - The REGULATED power supply included with this product is REQUIRED for use with this camera. Use of a non-regulated, non-conforming power supply can damage this product and will void the warranty.

Features:

- 1/3" advanced CCD image sensor provides superior image quality
- Excellent low light sensitivity with 18 infrared LED illuminators*
- Color video in standard lighting, automatically changes to B&W video in low light conditions
- Professional Grade Weatherproof** camera ideal for Indoor / Outdoor applications (IP66 rated).

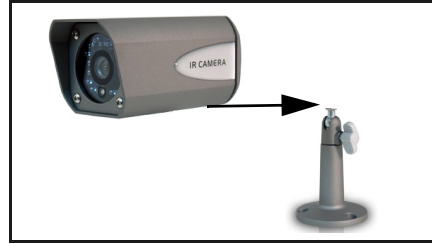
* IR illumination range up to 40 ft (12M) under ideal conditions. Objects at or beyond this range may be partially or completely obscured, depending on the camera application.

** Not for use in direct exposure to water, rain or snow

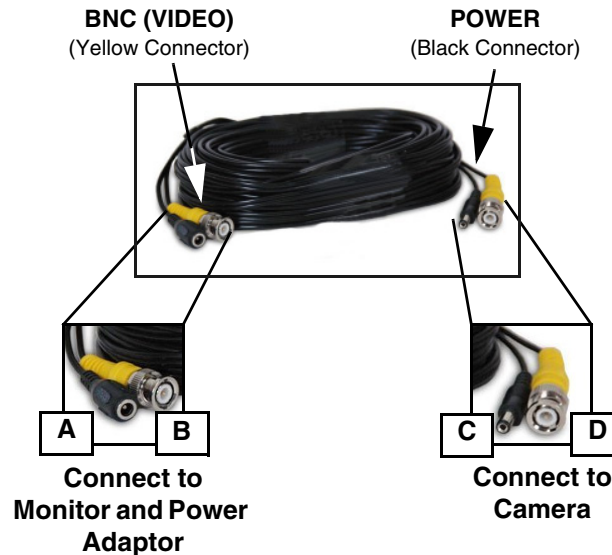
2. Installing the Camera

NOTE: Test the Cameras and Cables prior to selecting a permanent mounting location by temporarily connecting them to the system.

1. Attach the camera to the supplied stand. Mount the camera stand to the desired mounting surface



2. Connect the 60ft Extension cable:



- A. Connect the Barrel Power connector to a power adaptor.
- B. Connect the BNC connector to a monitor
- C. Connect the Male Power connector to the Camera.
- D. Connect the BNC connector to the Camera.

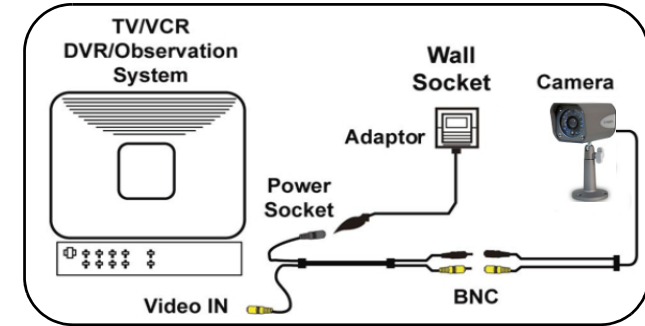
3. Connect the Power Adaptor to the wall outlet.

Downloaded from www.Somanuals.com. All Manuals Search And Download.

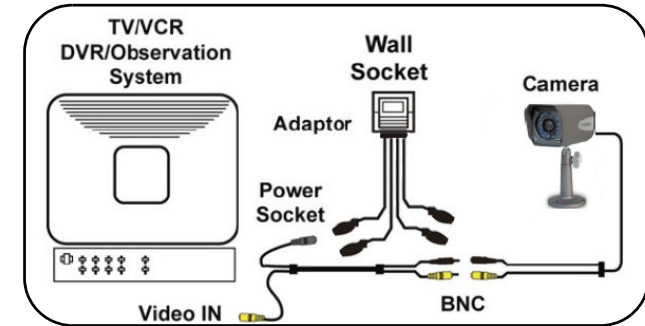
3. Connecting the Camera

Setup Diagrams:

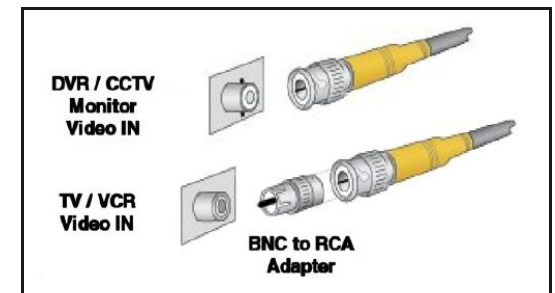
Single A/C Adaptor



Quad 4-in-1 A/C Adaptor



Connecting a BNC to RCA Adaptor:



Connect a BNC to RCA Adaptor as needed to allow for proper connectivity to a TV or VCR (sold separately).

Free Manuals Download Website

<http://myh66.com>

<http://usermanuals.us>

<http://www.somanuals.com>

<http://www.4manuals.cc>

<http://www.manual-lib.com>

<http://www.404manual.com>

<http://www.luxmanual.com>

<http://aubethermostatmanual.com>

Golf course search by state

<http://golfingnear.com>

Email search by domain

<http://emailbydomain.com>

Auto manuals search

<http://auto.somanuals.com>

TV manuals search

<http://tv.somanuals.com>