

4. Specifications

Switcher Specifications:

Channels	2
Scan Time	1~30 Seconds
Operating Voltage	9V DC 300mA
Camera Input	2 DIN
AV Output	1 DIN
Power Supply	DC 9V DC 300mA
Operating Humidity	90% HM Max.
Operating Temp	14°F ~ 122°F (-10°C ~ 50°C)

Camera Specifications:

Image Sensor	1/4" Color CMOS
Video Format / Pixels	NTSC: 510(H) x 492 (V)
Horizontal Resolution	330 TVL
Sync. & Scan. Systems	Internal; 2:1 Interlace
White Balance	ATW
Shutter Speed	1/60 ~ 1/15,000 sec.
Iris	AES
Minimum Illumination	3.0 LUX
Lens	3.6mm F2.0/ Fixed
FOV (Diagonal)	70 Degree
Termination	Video/Audio/Power: 6-Pin DIN Plug
IR / Night Vision Range	8 IR LED 850nm; 8ft. / 2.5m
Power Requirement	9V DC
Power Consumption	Less than 130mA @ 9V DC
Operating Temp	14°F ~ 113°F (-10°C ~ 45°C)
Dimensions (with stand) (H x D x W)	3.7" x 2.8" x 3.4" 95mm x 71mm x 34mm
Weight	200g / 7.05 oz.

It's all on the web

- 📁 Product Information
- 📄 Specification Sheets
- 📖 User Manuals
- 💻 Software Upgrades
- 🕒 Quick Start Guides
- 🔧 Firmware Upgrades



VISIT
www.lorexcctv.com

LOREX Technology Inc.
Copyright © 2007 LOREX Technology Inc. As our products are subject to continuous improvement, LOREX and its subsidiaries reserve the right to modify product design, specifications and prices, without notice and without incurring any obligation. E&OE

Download from Www.Somanuals.com. All Manuals Search And Download.

HOME & BUSINESS SECURITY

**2 CHANNEL MINI
SWITCHER BOX
WITH 2 COLOR CAMERAS**

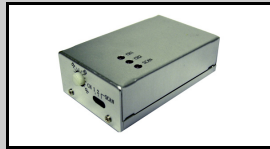
Model: SHS-2S6183W



Quick Set-up Guide

 **LOREX**

1. Package Contents



1 x Mini Switcher Box



1 x Power Adaptor
1 x AV Cable
1 x Velcro Adhesive Strip



2 x DIN Cameras
2 x Camera Stands
2 x 60' Extension Cables

Switcher Features:

- Easily connects to any TV, VCR or Monitor
- Compact design
- Easy mounting with Velcro strip (included)

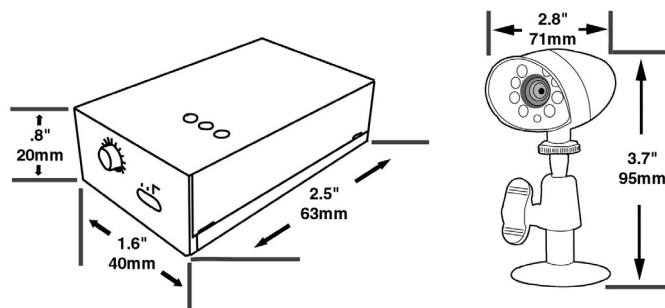
Camera Features:

- Durable Metal Camera ideal for indoor or outdoor use *
- Night Vision provides viewing in low light conditions **
- View as well as listen with camera's built-in microphone.

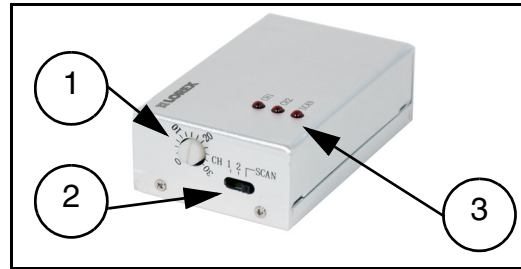
* Not recommended for direct exposure to rain or snow

** IR illumination range of 8ft. / 2.5m under ideal conditions. Objects at or beyond this range may be partially or completely obscured, depending on the camera application.

Dimensions:



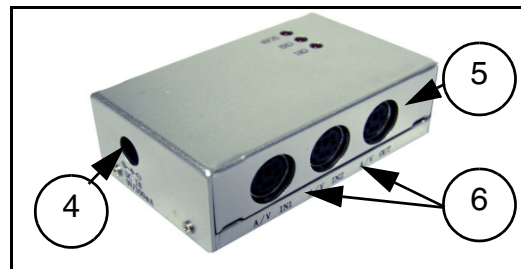
2. Switcher Controls



1. SCAN TIME SETTING - Turn to adjust the length of time that each camera is displayed onscreen before switching to the next camera. The sequence time can be set between 1-30 Seconds (when in SCAN View Mode).

2. CHANNEL SELECT - Move the switch to change the onscreen view to CH1, CH2 or SCAN View Mode.

3. STATUS INDICATOR LEDs - The Red LED light indicates that the unit is in Scan Mode; The Green LED lights indicate the currently displayed channel (CH1 or CH2).



4. DC POWER PORT - Connection port for the Power Adaptor.

5. A/V OUT DIN PORT - Sends the outgoing video/audio signal to a TV or VCR.

6. CH1-CH2 DIN PORTS - Receives the audio and video signal from the Cameras.

NOTE: Test the cameras prior to selecting a permanent mounting location by temporarily connecting the Cameras and Cables to the switcher.

Download from www.Somanuals.com. All Manuals Search And Download.

3. Camera Connections

1. Connect the 60ft (18m) DIN Extension cable to the Switcher. Run the cable as desired, and connect the other end of the 60ft (18m) Extension Cable to the DIN Camera (see **Setup Diagram** below).

NOTE: Cameras with 6 Pin DIN connections draw power from the Switcher. Additional power adaptors are not needed for these cameras.



2. Attach the camera to the supplied stand. Mount the camera stand to the desired mounting surface



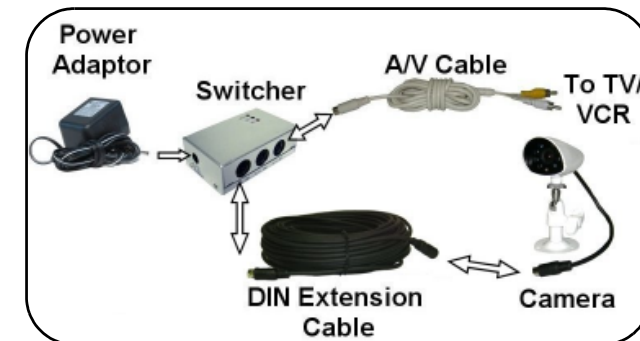
NOTE: Confirm that the arrows on the DIN Extension cable are aligned with the Camera Cable and Observation system ports when connecting the cable. If the pins in the DIN Cable are bent, the Camera will NOT function

3. Connect the DIN end of the A/V Cable to the switcher. Connect the RCA end to the corresponding color ports on the TV or VCR:
 - Yellow Cable: RCA Video
 - White Cable: RCA Audio

4. Connect the Power Adaptor to the switcher.

NOTE: This camera is designed to work with a 9V Power Adaptor ONLY. Use of this camera with any other system may damage the camera and invalidate the warranty.

Setup Diagram:



Free Manuals Download Website

<http://myh66.com>

<http://usermanuals.us>

<http://www.somanuals.com>

<http://www.4manuals.cc>

<http://www.manual-lib.com>

<http://www.404manual.com>

<http://www.luxmanual.com>

<http://aubethermostatmanual.com>

Golf course search by state

<http://golfingnear.com>

Email search by domain

<http://emailbydomain.com>

Auto manuals search

<http://auto.somanuals.com>

TV manuals search

<http://tv.somanuals.com>