

RSM-1 WALL MOUNTING TEMPLATE

SCREW 1



SCREW 2

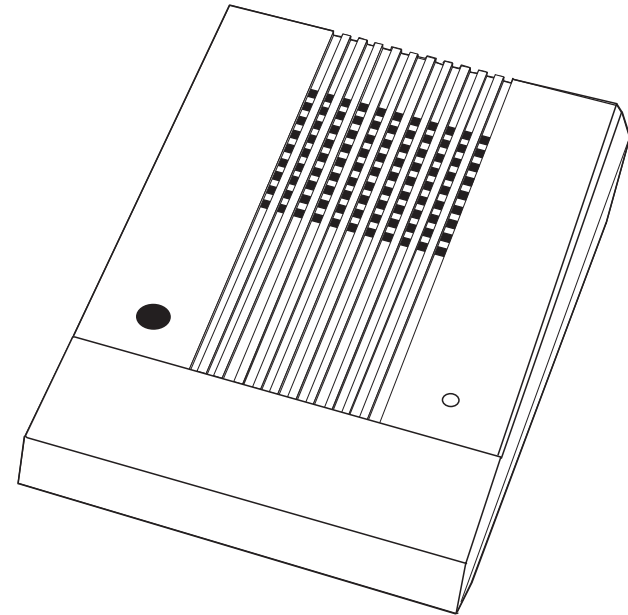


SCREW 3



RSM-1

REMOTE SPEAKER-MICROPHONE



Installation Instructions

Linear[®]

(760) 438-7000

USA & Canada (800) 421-1587 & (800) 392-0123

Toll Free FAX (800) 468-1340

www.linearcorp.com

DESCRIPTION

The RSM-1 is a remote speaker-microphone which can be used with Linear's PERS consoles. The attractive plastic case that houses the 8-ohm speaker and microphone may be tabletop or wall mounted. A wall mounting template is provided on the rear cover of this manual.

INSTALLATION

Connections to the RSM-1 are made to the 4-position terminal strip located behind the access cover (see Figure 1).

To route the wires through the access hole, remove the bottom screw to open the case (see Figure 2).

Two wire runs, one for the speaker and one for the microphone, are required. The speaker wire should be two-conductor 18 AWG twisted pair for runs up to 50 feet. Use 16 AWG for runs up to 100 feet. The microphone wire must be shielded two-conductor twisted cable, 24 AWG or larger. **The shield should not be connected on the microphone end.**

For UL installations, secure the wires with a zip-tie (see Figure 3).

See Figures 4 and 5 for a hook-up diagram showing the RSM-1/PERS console connections.

NOTE: The RSM-1 should not be located close to any objects that will create loud noise such as sirens, fans, air conditioning, stereos, etc. This will prevent the central station operator from hearing clearly.

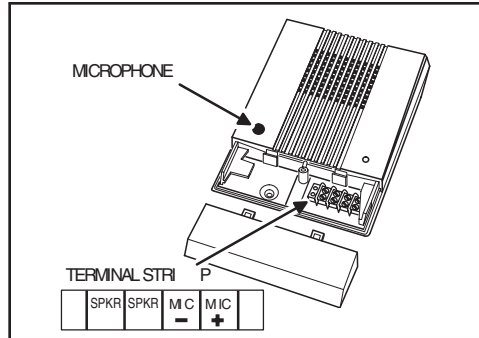


Figure 1. RSM-1 Terminals

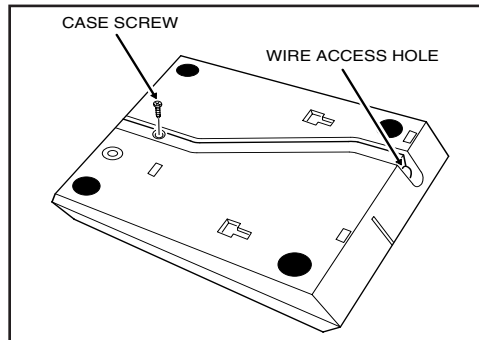


Figure 2. Removing Cover

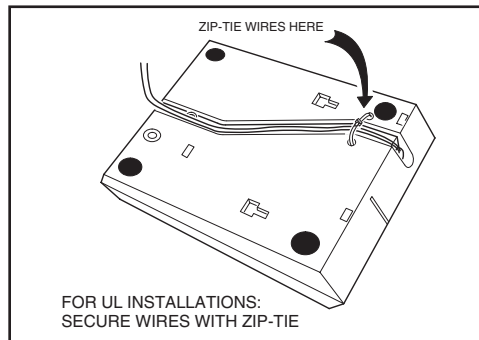


Figure 3. Securing Wires

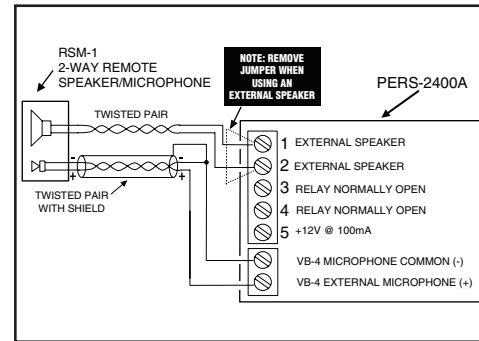


Figure 4. Standard RSM-1/PERS-2400A wiring

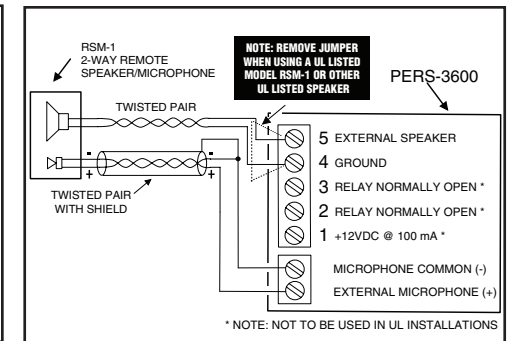


Figure 5. Standard RSM-1/PERS-3600 wiring

LINEAR LIMITED WARRANTY

This Linear product is warranted against defects in material and workmanship for twelve (12) months. The Warranty Expiration Date is labeled on the product. This warranty extends only to wholesale customers who buy direct from Linear or through Linear's normal distribution channels. Linear does not warrant this product to consumers. Consumers should inquire from their selling dealer as to the nature of the dealer's warranty, if any. **There are no obligations or liabilities on the part of Linear LLC for consequential damages arising out of or in connection with use or performance of this product or other indirect damages with respect to loss of property, revenue, or profit, or cost of removal, installation, or reinstallation.** All implied warranties, including implied warranties for merchantability and implied warranties for fitness, are valid only until Warranty Expiration Date as labeled on the product. **This Linear LLC Warranty is in lieu of all other warranties express or implied.**

All products returned for warranty service require a Return Product Authorization Number (RPA#). Contact Linear Technical Services at 1-800-421-1587 for an RPA# and other important details.

IMPORTANT WIRELESS INFORMATION

Linear radio controls provide a reliable communications link and fill an important need in portable wireless signaling. However, there are some limitations which must be observed.

- For U.S. installations only: The radios are required to comply with FCC Rules and Regulations as Part 15 devices. As such, they have limited transmitter power and therefore limited range.
- A receiver cannot respond to more than one transmitted signal at a time and may be blocked by radio signals that occur on or near their operating frequencies, regardless of code settings.
- Changes or modifications to the device may void FCC compliance.
- Infrequently used radio links should be tested regularly to protect against undetected interference or fault.
- A general knowledge of radio and its vagaries should be gained prior to acting as a wholesale distributor or dealer, and these facts should be communicated to the ultimate users.

Free Manuals Download Website

<http://myh66.com>

<http://usermanuals.us>

<http://www.somanuals.com>

<http://www.4manuals.cc>

<http://www.manual-lib.com>

<http://www.404manual.com>

<http://www.luxmanual.com>

<http://aubethermostatmanual.com>

Golf course search by state

<http://golfingnear.com>

Email search by domain

<http://emailbydomain.com>

Auto manuals search

<http://auto.somanuals.com>

TV manuals search

<http://tv.somanuals.com>