



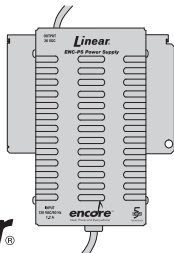
Multi-Room Audio Distribution System

ENC-PS Power Supply

Installation Instructions



USA & Canada (800) 421-1587 & (800) 392-0123
(760) 438-7000 - Toll Free FAX (800) 468-1340
www.linearcorp.com



1. PRODUCT DESCRIPTION

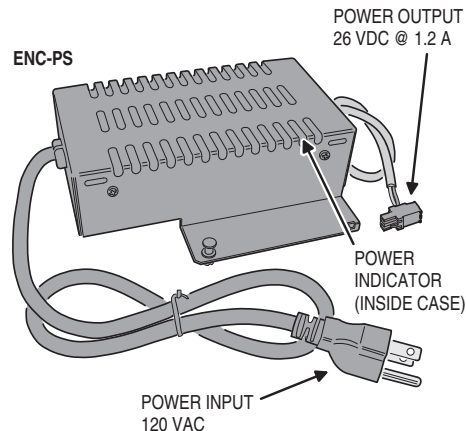
The Encore power supply (Model ENC-PS) is a new or replacement power supply for the Encore Multi-Room Audio Distribution System.

This switching power supply is designed for structured wiring grid mounting in Linear's structured wiring enclosures and on Linear's structured wiring mounting brackets.

The AC line cord connects the 120 VAC supply. The two-terminal low voltage connector on the 26 VDC output connects to the system's music distribution hub (Model ENC-HUB).

An internal green power indicator lights when the supply is operating and is visible through the unit's case vents.

2. POWER SUPPLY FEATURES



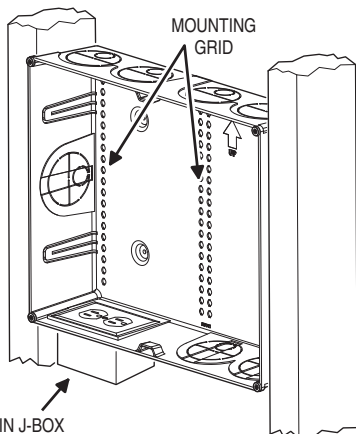
3. CABINET WITH AC OUTLET INSTALLED

4. HUB AND POWER SUPPLY INSTALLATION

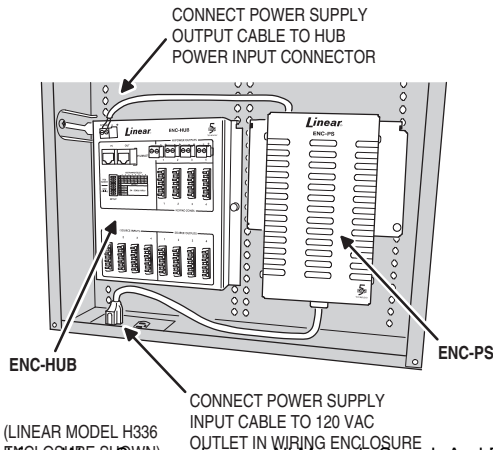
LIMITED WARRANTY

STRUCTURED WIRING ENCLOSURE

(LINEAR H312KIT ENCLOSURE SHOWN)



120 VAC OUTLET IN J-BOX
INSTALLED BY LICENSED ELECTRICIAN



(LINEAR MODEL H336)

This Linear product is warranted against defects in material and workmanship for twenty four (24) months. **This warranty extends only to wholesale customers** who buy direct from Linear or through Linear's normal distribution channels. **Linear does not warrant this product to consumers.** Consumers should inquire from their selling dealer as to the nature of the dealer's warranty, if any. **There are no obligations or liabilities on the part of Linear LLC for consequential damages arising out of or in connection with use or performance of this product or other indirect damages with respect to loss of property, revenue, or profit, or cost of removal, installation, or reinstallation.** All implied warranties, including implied warranties for merchantability and implied warranties for fitness, are valid only until the warranty expires. **This Linear LLC Warranty is in lieu of all other warranties express or implied.**

All products returned for warranty service require a Return Product Authorization Number (RPA#). Contact Linear Technical Service at 1-800-421-1587 for an RPA# and other important details.

Free Manuals Download Website

<http://myh66.com>

<http://usermanuals.us>

<http://www.somanuals.com>

<http://www.4manuals.cc>

<http://www.manual-lib.com>

<http://www.404manual.com>

<http://www.luxmanual.com>

<http://aubethermostatmanual.com>

Golf course search by state

<http://golfingnear.com>

Email search by domain

<http://emailbydomain.com>

Auto manuals search

<http://auto.somanuals.com>

TV manuals search

<http://tv.somanuals.com>