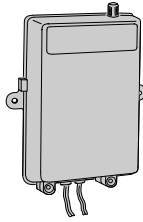


DRG DRG2



DIGITAL GATE RECEIVER

Installation Instructions



Linear®

(800) 421-1587 • www.linearcorp.com

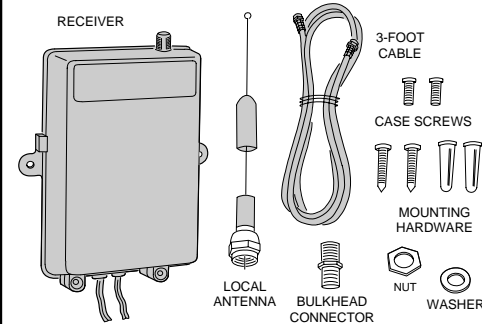
DESCRIPTION

The DRG is a digital receiver designed for use with automatic gate operators or systems where a remote antenna is needed. The DRG2 will operate two gates, one gate and an obstacle sensor or channel one can open the gate and channel two can close the gate.

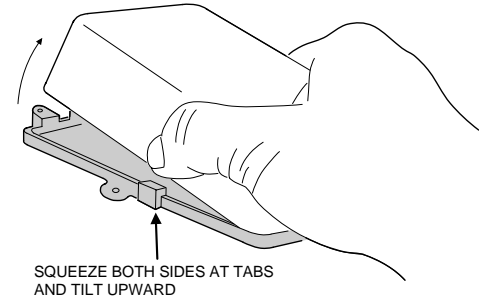
All of the Delta-3 transmitters, including the two and four-channel transmitters, are compatible with the DRG. The Delta-3 radio format provides 256 different digital codes. The codes are set using the 8-position coding switches in the units. In order to avoid the possibility of duplicating codes in adjacent systems, factory set codes should not be used.

The receivers can operate from 16-24 volts AC or 20-30 volts DC and are normally powered from the gate operator. The relay contact(s) are rated at 5 amps @ 32 volts AC/DC NEC Class 2 circuit.

The DRG has a "F" connector for attaching an antenna. The receiver is supplied with a 9-inch local antenna, a three foot 75 ohm coaxial cable, and a bulkhead connector for mounting the antenna outside the gate operator enclosure.



STEP 1 Open receiver case. To open case, squeeze sides of case and rotate upward.



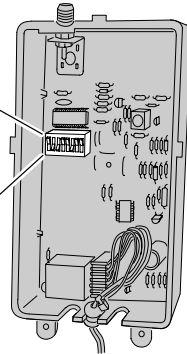
STEP 2A DRG code setting. To set a code, select any valid combination of ON and OFF positions for the switch keys numbered 1 - 8. Use a paper clip to set the eight keys.

SET CODE SWITCH KEYS

CHANNEL ONE
SWITCH KEYS

THIS SWITCH
HAS 2, 3 & 6 ON

DO NOT USE:
ALL ON; ALL OFF;
ALT ON/OFF, OR OFF/ON



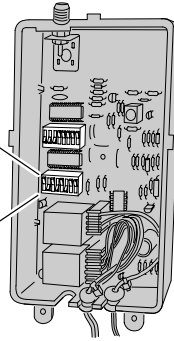
STEP 2B DRG2 code setting. Select any valid combination of ON and OFF positions for each of the switch keys numbered 1 - 8. Use a different code combination than that used for channel one switch.

SET CHANNEL TWO CODE SWITCH KEYS

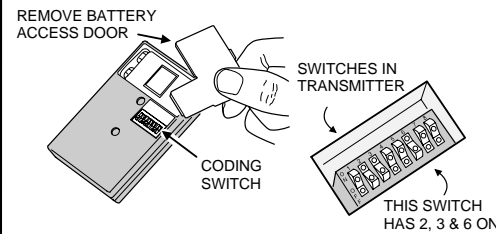
CHANNEL TWO
SWITCH KEYS

THIS SWITCH
HAS 2, 4 & 6 ON

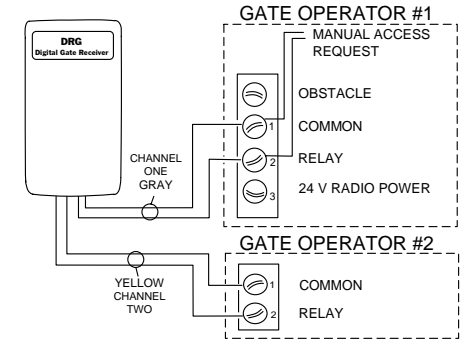
DO NOT USE:
ALL ON; ALL OFF;
ALT ON/OFF, OR OFF/ON



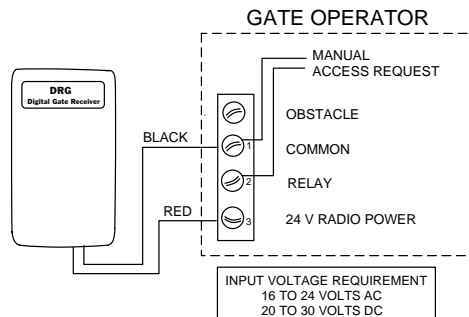
STEP 3 Transmitter code setting. Locate the coding switch on the transmitter and set the eight keys identical to those on the desired channel of the receiver. Be sure they match exactly. If using a two or four-channel transmitter, refer to the coding instructions included with the transmitter for proper system coding.



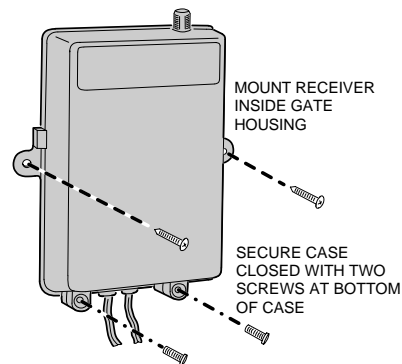
STEP 4 Connect receiver relay output. Connect the appropriate channel wires (Ch. 1 - two gray wires), (Ch. 2 - two yellow wires) to the appropriate activation terminals on the gate operator.



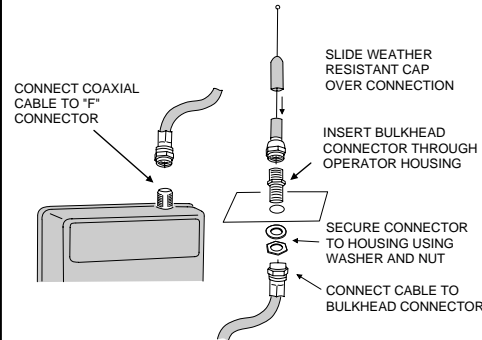
STEP 5 Connect receiver to power. Connect the red power input wire to the 24V radio power and the black wire to the common terminal on the gate operator. Alternately connect wires to a 16-24 VAC transformer.



STEP 6 Mounting the receiver. Use the screws provided to mount the receiver within the operator housing. This provides protection from the elements. Secure case with case screws.



STEP 7 Connect antenna. Connect the coaxial cable to the "F" connector on the receiver. Drill a 3/8" hole on the top of the operator housing for the bulkhead connector. Insert the connector and secure it with the nut and lock washer. Connect the cable and antenna to the operator.



LINEAR LIMITED WARRANTY
This product is warranted to the consumer against defects in material and workmanship for one year from the date of purchase. This warranty applies to first retail buyers of new devices. Warranty will repair, or at its option, replace, any device it finds that requires service under this warranty, and will return the repaired or replaced device to the consumer at the warrantor's cost. For warranty service and shipping instructions contact warrantor at the address shown below. Devices must be sent to warrantor for service at owner's expense. The remedies provided by this warranty are exclusive. Implied warranties under state law are to the one year period of this written warranty. Some states do not allow limitations on how long an implied warranty lasts, so the above limitation may not apply to you. In order to be protected by this warranty, save your proof of purchase and send copy with equipment should repair be required. This warranty gives you specific legal rights, and you may also have other rights which vary from state to state.

All products returned for warranty service require a Return Product Authorization Number (RPA#). Contact Linear Technical Services at 1-800-421-1587 for an RPA# and other important details.
IMPORTANT !!!
Linear radio controls provide a reliable communications link and fill an important need in portable wireless signaling. However, there are some limitations which must be observed.
* For U.S. installations only: The radios are required to comply with FCC Rules and Regulations as Part 15 devices. As such, they have limited transmitter power and therefore limited range.
* A receiver cannot respond to more than one transmitted signal at a time and may be blocked by radio signals that occur on or near their operating frequencies, regardless of code settings.
* Changes or modifications to the device may void FCC compliance.
* Infrequently used radio links should be tested regularly to protect against undetected interference or fault.
* A general knowledge of radio and its vagaries should be gained prior to acting as a wholesale distributor or dealer, and these facts should be communicated to the ultimate users.

Free Manuals Download Website

<http://myh66.com>

<http://usermanuals.us>

<http://www.somanuals.com>

<http://www.4manuals.cc>

<http://www.manual-lib.com>

<http://www.404manual.com>

<http://www.luxmanual.com>

<http://aubethermostatmanual.com>

Golf course search by state

<http://golfingnear.com>

Email search by domain

<http://emailbydomain.com>

Auto manuals search

<http://auto.somanuals.com>

TV manuals search

<http://tv.somanuals.com>