

3. You should test your entire system occasionally in order to be sure that all components are working in good order.
4. Linear Corporation's dealers can provide you with information regarding the use of our radio controls, and can provide valuable installation and operation information, when requested.

**CAUTION:** Any changes or modifications in intentional or unintentional radiators which are not expressly approved by LINEAR CORPORATION could void the user's authority to operate this equipment. This applies to intentional and unintentional radiators certified per Part 15 of the F.C.C. rules and regulations.



## Model 3022 TRANSMITTER

### *Important! Read Before Installation*

The MULTI-CODE 3022 transmitter has been designed to provide great reliability and safety, but it must be installed correctly. Read the enclosed instructions carefully.

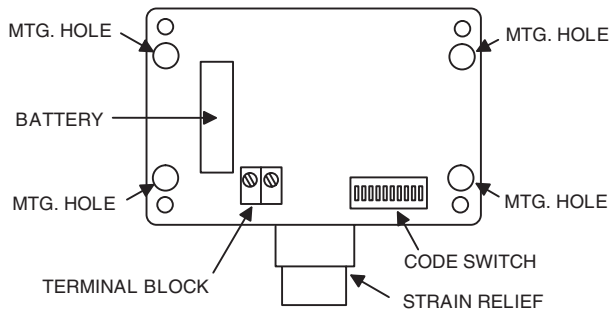
The Model 3022 may be used for a variety of purposes, and wherever remote signaling is desirable, as specified by FCC regulations. If this transmitter is to be used in an application which may be safety related be sure to take special precautions. Linear Corporation has taken every step to insure the best possible product, but you must be certain to install the 3022 transmitter correctly.

Before installing the 3022 transmitter, open it up by removing the four screws which secure the top of the case. You will note that there is a terminal block (see figure 1), to which you will secure the wires coming from your device. Run your wire through the strain relief fitting, leaving enough wire to provide adequate length for stripping. YOUR WIRE SHOULD BE 18 TO 24 GAUGE, although any wire that fits snugly in the strain relief fitting may be used. Be sure to check the water-tightness of the fitting if you use anything other than 18-24 gauge wire, as this may compromise the integrity of the case. Put your two wires under the terminal blocks, and fasten by screwing down.

Next, code your transmitter and, if necessary, your receiver. The code switch (see figure 1) allows for 1024 possible combinations. If you have an existing receiver, you may code the 3022 to the same code, or you may choose to wire a separate receiver. If you wire a second receiver, be sure to separate the two receivers as much as possible, to avoid any possibility of interference.

*For service, return to your dealer or shop prepaid to:*

**LINEAR CORPORATION**  
2055 Corte del Nogal  
Carlsbad, CA 92009



If you are going to use the 3022 transmitter in a safety related device, be sure to read the manufacturer's instructions with regard to wiring and limitations of the safety circuit.

After you have wired and coded the 3022, you are now ready for mounting. You will note that there are four holes in the case, through which you can mount your screws, rivets, or other mounting devices. If the transmitter is to be used in the proximity of metal, be sure to test the location at the greatest distance the device will be from its receiver, in order to be sure that adequate performance is achieved. ANY METAL, INCLUDING MOUNTING PLATES, ETC., MAY AFFECT THE PERFORMANCE OF YOUR TRANSMITTER. Once you are satisfied with the performance of the radio, you can permanently mount it.

Linear Corporation has taken every precaution to assure that the 3022 will perform reliably. In order to provide the greatest reliability, we have fastened the printed circuit board to the case with a special fastening agent, such as Loctite™. We suggest that you use a similar material to your fastening screws if vibration is likely to be encountered.

### ⚠️ ... IMPORTANT SAFETY TEST ... ⚠️

**Before releasing the radio transmitter for use, test the system for proper operation after installing the radio transmitter and associated hardware. The system should be tested at various positions of travel of the gate member to be certain that the gate edge, radio transmitter, receiver and gate operator are functioning to detect an obstruction and reverse or stop the gate.**

## MAINTENANCE

The 3022 Transmitter needs a minimum of care, however, certain precautions must be taken:

1. Be sure to check the 3022 Transmitter as a system. Be sure that the device that is connected to the 3022 is functioning with the transmitter, and with the receiver.
2. Check the system to which the 3022 is attached frequently.
3. The 3022 employs long life Alkaline-Manganese Dioxide Batteries (Eveready Energizer 522 or equivalent). Nominal life for these batteries is three years, but we suggest you test the unit more often than this. Test the transmitter any time you perform maintenance on the rest of the system.

## WARRANTY

MULTI-CODE products carry an eighteen (18) month warranty against defects in workmanship or material. This warranty begins at the date of manufacture, for eighteen months. Linear Corporation warrants our product **only** to our authorized dealers and distributors, and not to the end customer. If you have questions about our warranty, please ask your dealer to determine the nature and scope of his warranty. Linear Corporation does not assume, and is not responsible for, any real or consequential damages from claims against the performance of our product, nor is it liable for any costs related to loss of life, property, or revenue. Further, Linear Corporation is in no way responsible for installation of our product, and will assume no costs to reinstallation or removal. Linear Corporation's Warranty is in lieu of all other warranties, expressed, or implied.

### PLEASE NOTE

Linear Corporation has devoted a great deal of time and research in order to provide the most reliable equipment possible. Certain limitations must be observed.

1. MULTI-CODE radio components must conform with FCC Part 15 requirements. For this reason, the range and power of our radios is within specified limits.
2. As with all manufacturers, MULTI-CODE radios must accept all signals that they receive. This may, in rare instances, create difficulty.

## Free Manuals Download Website

<http://myh66.com>

<http://usermanuals.us>

<http://www.somanuals.com>

<http://www.4manuals.cc>

<http://www.manual-lib.com>

<http://www.404manual.com>

<http://www.luxmanual.com>

<http://aubethermostatmanual.com>

Golf course search by state

<http://golfingnear.com>

Email search by domain

<http://emailbydomain.com>

Auto manuals search

<http://auto.somanuals.com>

TV manuals search

<http://tv.somanuals.com>