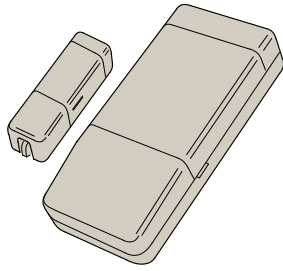


# DXS-31



## SUPERVISED DOOR/WINDOW TRANSMITTER

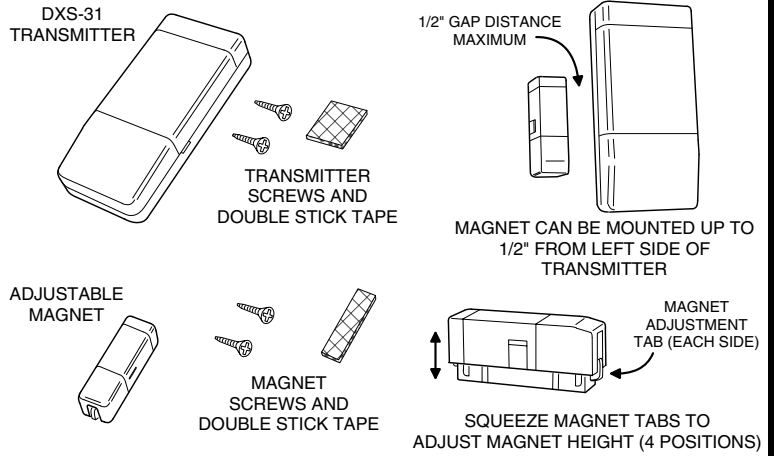
### Installation Instructions



# Linear

(760) 438-7000 • FAX (760) 438-7043  
USA & Canada (800) 421-1587 & (800) 392-0123  
Toll Free FAX (800) 468-1340

## DXS-31 FEATURES & ACCESSORIES



## PRODUCT DESCRIPTION

The DXS-31 is a battery powered stationary transmitter designed for use with Linear's DXS and DX format receivers. This transmitter can be used in a variety of wireless remote control applications. Triggering the transmitter with its built-in magnetic switch, an external switch or an external glass break detector sends a digitally coded wireless signal to its companion receiver.

The digital DXS code format features over a million possible codes. The DXS transmitters are pre-coded at the factory to unique codes, so no field coding is required. The DXS-31 can send four different codes: alarm, restore, low battery and status.

For versatility, any transmitter can be programmed into any receiver channel. Receivers must be programmed to the transmitter's code before system testing and operation. Refer to the receiver's instructions for details on programming.

In a typical installation, the magnet is mounted on a door or window and the transmitter is mounted on the frame. When the magnet moves more than 1/2" away from the transmitter, an alarm signal is sent. When the magnet returns next to the unit, a restore signal is sent. Alarms and restores can also be sent from external contacts wired to the terminal block. Pressing the case sends a test transmission that updates the receiver to the current state of the contacts and lights the test indicator.

When the transmitter's case is open, the transmit indicator will light each time the unit sends an alarm or restore signal. The indicator is disabled when the case is closed (except for test transmissions). The indicator will flash during operation and test when the batteries are low.

The transmitter is powered from two 3-Volt #2032 lithium batteries with an expected battery life of up to 3 years.

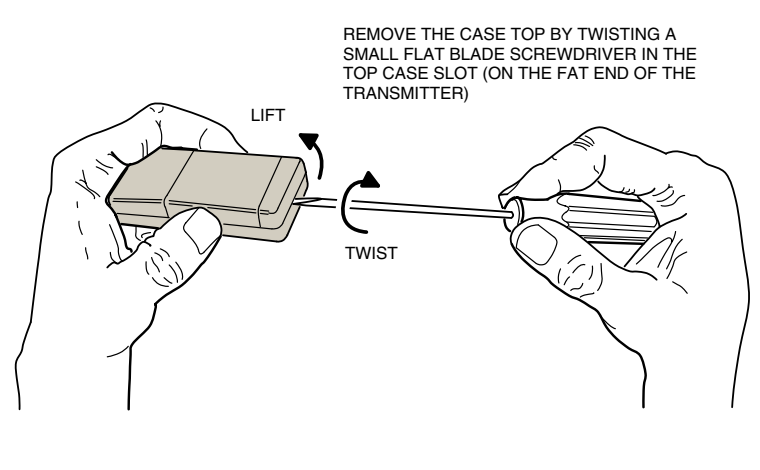
Every hour, the DXS-31 will send a status transmission to the receiver. The hourly signal updates the receiver to the transmitter's condition. By monitoring status transmissions, the receiver can determine if a transmitter has a low battery or has been removed from the system. DXS format receivers can monitor status signals, DX format receivers cannot.

A three-position terminal block is for connection to normally closed external contacts or a normally open "Window Bug" type glass break sensor. An internal jumper selects which input to use. Selections are: internal switch only, external switch only, both external and internal switch, and glass break sensor.

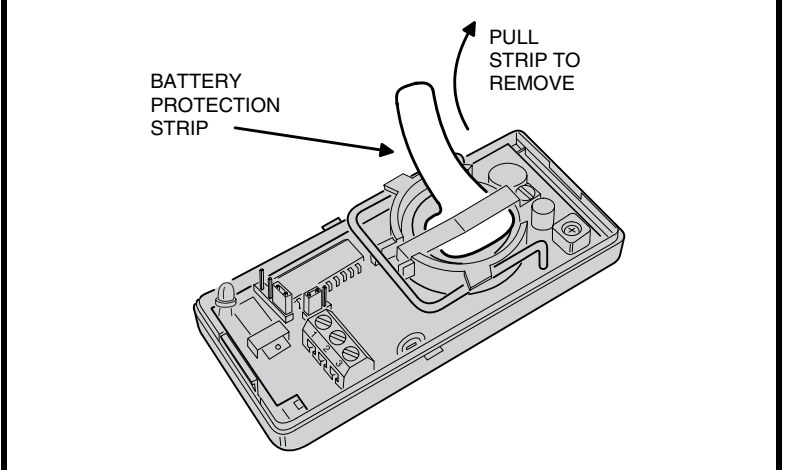
Another internal jumper selects an instant or delayed transmission code. This jumper doesn't delay the actual transmissions, but changes the code of the signal sent so the receiver can process the signal as coming from an entry/exit delay transmitter.

A snap-on transmitter mounting plate is provided for easy installation. The magnet is adjustable with four height positions. A 1/4" high magnet spacer is also supplied to snap on to the base of the magnet.

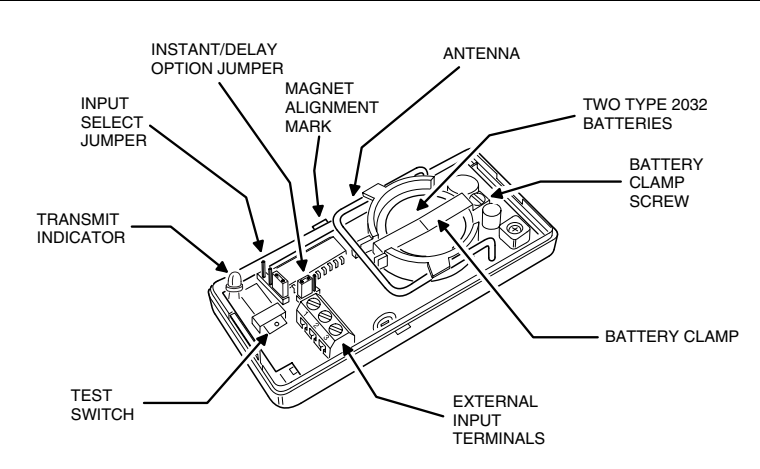
## OPENING CASE



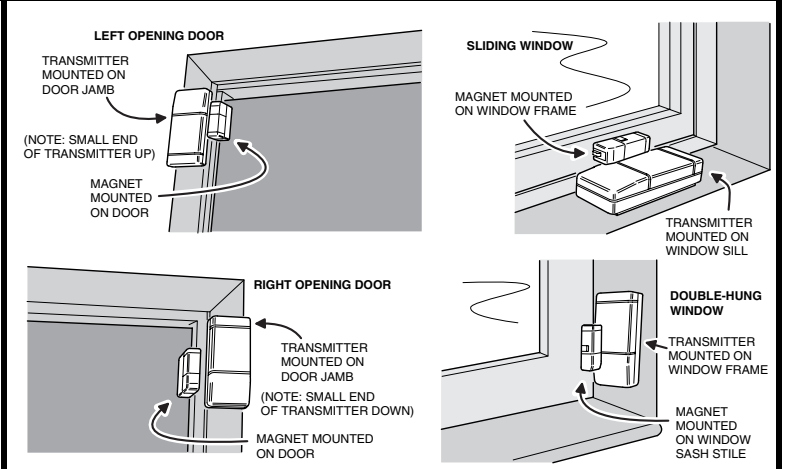
## REMOVE BATTERY PROTECTION STRIP



## COMPONENT LOCATIONS

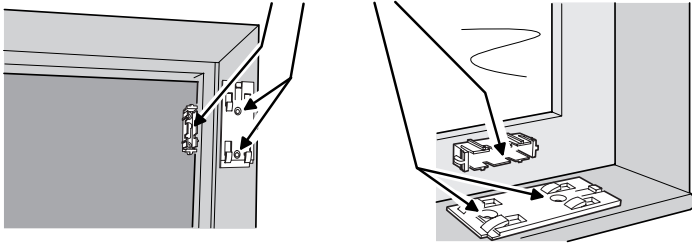


## EXAMPLE INSTALLATIONS



## TRANSMITTER MOUNTING

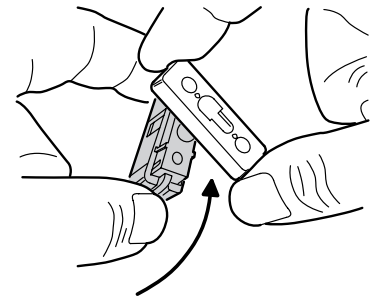
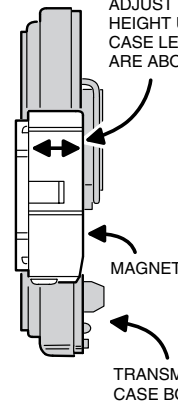
ATTACH MOUNTING PLATES USING THE SCREWS OR DOUBLE-STICK TAPE PROVIDED



**NOTE: ATTACHING THE TRANSMITTER WITH DOUBLE-STICK TAPE IS NOT ALLOWED IN UL INSTALLATIONS**

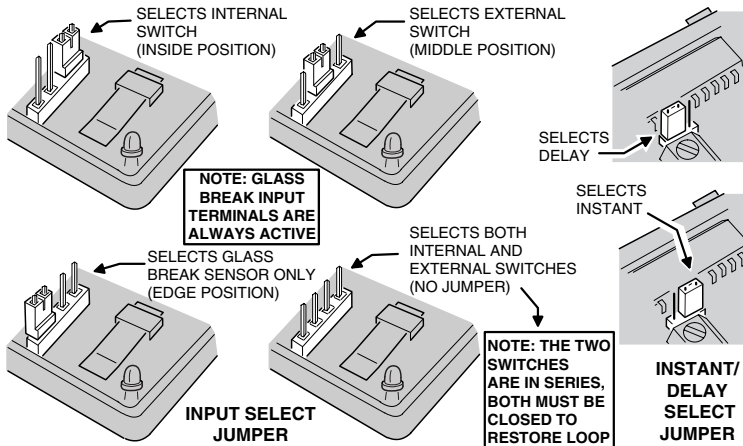
## ADJUSTING MAGNET HEIGHT

ADJUST MAGNET HEIGHT UNTIL CASE LEVELS ARE ABOUT EQUAL



THE SNAP-ON MAGNET SPACER CAN BE USED TO ADD 1/4" HEIGHT TO THE MAGNET (SPACERS CAN ALSO BE SNAPPED TOGETHER FOR MORE LIFT)

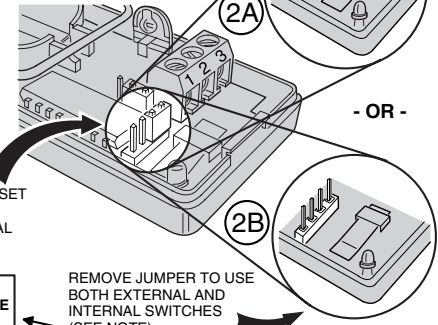
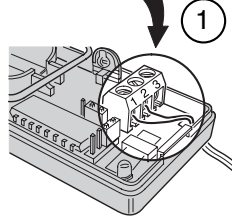
## OPTION JUMPER POSITIONS



## CONNECTING EXTERNAL CONTACTS

WIRE EXTERNAL NORMALLY CLOSED CONTACTS TO TERMINALS 1 & 2

PUT JUMPER ON THE MIDDLE PINS TO USE AN EXTERNAL SWITCH

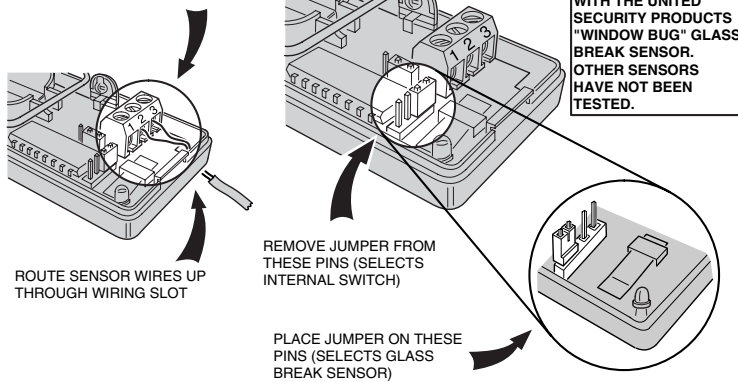


THIS IS THE FACTORY SET JUMPER POSITION, IT SELECTS THE INTERNAL CONTACTS

**NOTE: THE TWO SWITCHES ARE IN SERIES, BOTH MUST BE CLOSED TO RESTORE LOOP**

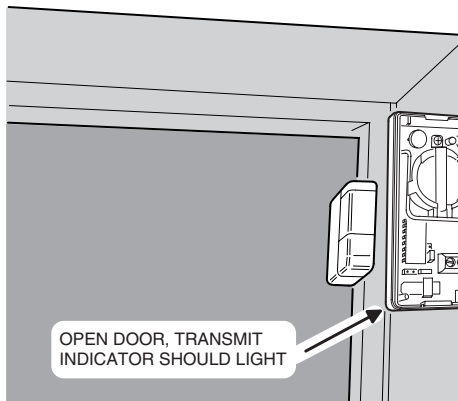
## CONNECTING EXTERNAL GLASS BREAK SENSOR

CONNECT NORMALLY OPEN GLASS BREAK SENSOR WIRES TO TERMINALS 2 & 3



## PROGRAMMING RECEIVER

1. PLACE RECEIVER INTO PROGRAM OR "LEARN" MODE
2. ACTIVATE TRANSMITTER BY OPENING DOOR OR WINDOW
3. VERIFY THAT THE RECEIVER ACCEPTED THE SIGNAL
4. REPLACE TRANSMITTER COVER WHEN FINISHED

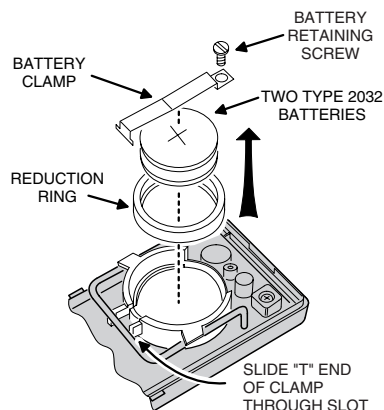


**NOTE: THE TRANSMIT INDICATOR WILL ONLY LIGHT DURING TRANSMISSIONS WHEN THE CASE IS OPEN (EXCEPT WHEN PUSHING THE CASE FOR TESTING)**

## CHANGING BATTERIES

WHEN THE TRANSMIT INDICATOR BLINKS DURING TRANSMISSIONS OR WHEN THE RECEIVER INDICATES A LOW BATTERY, THE BATTERIES NEED REPLACING

1. REMOVE THE BATTERY RETAINING SCREW
2. REMOVE THE BATTERY CLAMP
3. REPLACE BATTERIES WITH TWO TYPE 2032 BATTERIES (PLUS SIDE UP)
4. REPLACE BATTERY CLAMP AND RETAINING SCREW



## LINEAR LIMITED WARRANTY

This Linear product is warranted against defects in material and workmanship for twelve (12) months. The Warranty Expiration Date is labeled on the product. **This warranty extends only to wholesale customers** who buy direct from Linear or through Linear's normal distribution channels. **Linear does not warrant this product to consumers.** Consumers should inquire from their selling dealer as to the nature of the dealer's warranty, if any. **There are no obligations or liabilities on the part of Linear corporation for consequential damages arising out of or in connection with use or performance of this product or other indirect damages with respect to loss of property, revenue, or profit, or cost of removal, installation, or reinstallation.** All implied warranties, including implied warranties for merchantability and implied warranties for fitness, are valid only until Warranty Expiration Date as labeled on the product. **This Linear Corporation Warranty is in lieu of all other warranties express or implied.** For warranty service on Linear equipment return product, at sender's expense to: All products returned for warranty service require a Return Product Authorization Number (RPA#). Contact Linear Technical Services at 1-800-421-1587 for an RPA# and other important details.

### IMPORTANT !!!

Linear radio controls provide a reliable communications link and fill an important need in portable wireless signalling. However, there are some limitations which must be observed.

- \* For U.S. installations only: The radios are required to comply with FCC Rules and Regulations as Part 15 devices. As such, they have limited transmitter power and therefore limited range.
- \* A receiver cannot respond to more than one transmitted signal at a time and may be blocked by radio signals that occur on or near their operating frequencies, regardless of code settings.
- \* Changes or modifications to the device may void FCC compliance.
- \* Infrequently used radio links should be tested regularly to protect against undetected interference or fault.
- \* A general knowledge of radio and its vagaries should be gained prior to acting as a wholesale distributor or dealer, and these facts should be communicated to the ultimate users.

## Free Manuals Download Website

<http://myh66.com>

<http://usermanuals.us>

<http://www.somanuals.com>

<http://www.4manuals.cc>

<http://www.manual-lib.com>

<http://www.404manual.com>

<http://www.luxmanual.com>

<http://aubethermostatmanual.com>

Golf course search by state

<http://golfingnear.com>

Email search by domain

<http://emailbydomain.com>

Auto manuals search

<http://auto.somanuals.com>

TV manuals search

<http://tv.somanuals.com>