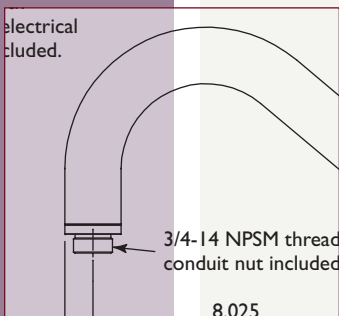
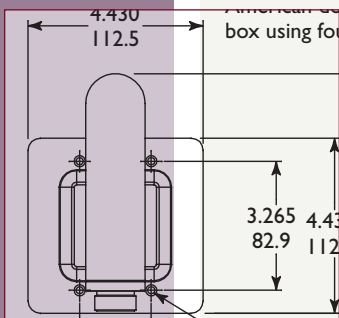
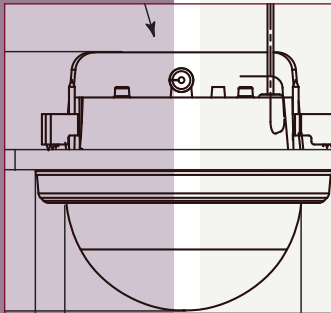


- **High Resolution: 540 TV Lines**
- **Available in Color or WDR cameras**
- **Test Coax Connector Included for Quick Setup**
- **4.9-inch Dome & 6-inch Height**
- **Recessed, Pendant Pipe or Wall Mount Options Available**
- **3-Axis Camera Bracket**

Indoor Fixed 5-inch Dome Camera



D5 Series

The D5 Series indoor dome camera discreetly monitors your premises and protects your business from unwanted events. Its compact design and versatile construction permit the same housing to be wall mounted, pendant mounted from a pipe, or recessed into a ceiling.

Included with this package is a high resolution, 540 TVL camera and the choice of a Sony CCD chipset for superb color performance or a Pixim[®] Wide Dynamic Range chipset for installations with troublesome lighting issues.

The housing and trim ring are available in white or black.

Easy to install, the D5 Series packages require minimal setup time. Each dome comes with a test coax loop which allows the installer to set the camera's field of view and focus the image on site after the unit has been mounted. A slotted inner liner masks the direction the camera is pointing for added theft prevention. An additional support kit is available for installations above drop ceilings with standard 2'x2' tiles.

ORDERING GUIDE

To order the D5 package that meets your needs choose from the following options:

Choose your camera type, all packages come with a standard 2.8-11mm lens, add the type of mount that will be used and the color. See the sample below to create the model number for ordering.

NOTE:

If you require assistance with your order or would like **IP** or **UTP** options, please call the factory for more information.

EXAMPLE MODEL NUMBER: D5CH211P-B

category	camera type	lens range	mounting	housing color
D5	CH	211	P	-B
Dome 5-inch	CH - Color High Resolution WD - Wide Dynamic Range	211 - 2.8-11mm lens	R - Recessed P - Pendant/Pipe W - Wall	-B - Black -W - White

IP or UTP versions are available please call the factory for more information.

SPECIFICATIONS

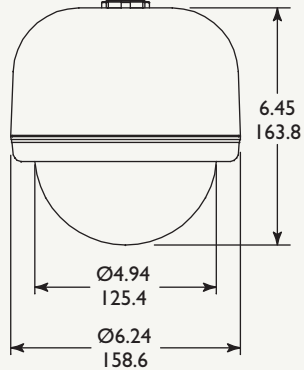
CAMERA SPECIFICATIONS			
		color high resolution	wide dynamic range
		D5CH211	D5WD211
Image Sensor		1/3 Inch SONY Super DAD CCD	1/3 Inch DPS (Digital Pixel System)
Signal System / Effective Pixels		NTSC/ 786H x 494 V	NTSC/ 720H x 540V
Horizontal Resolution		540TV Lines	540TV Lines
Power		Max 1.8 W	Max 4.5 W
Sensitivity (3200K) usable picture, f/1.2 lens, 50 IRE		0.3Lux/F 1.2	0.5Lux/F 1.2; 0.08Lux/F 1.2 (Slow Shutter)
Signal to Noise		More than 48dB (AGC off)	More than 48dB
Electronic Shutter		NTSC/ 1/60 ~ 100,000 Sec.	-
White Balance / Auto White Balance		Auto	(AWB/ATW/ATW XTEND/ATW DESAT/ MANUAL Selectable) / ATW 2000K to 11.000K
Privacy Masking function		-	Up to 12 zones (optional)
EL/BLS		Auto	-
AGC		-	Adjustable
Voltage Range		24VAC ± 10%	24VAC ± 10%
Dynamic Range		-	101dB Typical, 120dB maximum

MECHANICAL SPECIFICATIONS		
Housing	Construction	ABS plastic housing and inner liner in charcoal. Acrylic dome with light tint.
	Finish	Black and White
	Weight	1.4 lb (0.63 kg)
	Shipping Weight	2.41 lb (1.09 kg)
Cable Entry		Wiring harness includes Female BNC plug and 2 pin terminal block for 24 VAC. (mating connector included)
ENVIRONMENTAL (Rated for indoor use only.)		
Temperature	Operating	+14 °F to +122 °F (-10 °C to +50 °C)
	Storage	-4 °F to +122 °F (-20 °C to +50 °C)
Humidity		0% to 90% relative, noncondensing.
ELECTROMAGNETIC COMPATIBILITY		
Electromagnetic Compatibility	EMC	Designed to meet FCC Class A.
	Safety	Designed to meet CE, UL

ACCESSORIES		
	Model Number(s)	Description
Mounting	D5AMT-W (WHITE) D5AMT-B (BLACK)	Wall mount for pendant version models.
	D5MK	Mounting kit with support rails for suspended ceiling applications.
Empty Domes	D5R-W (WHITE) D5R-B (BLACK)	Dummy Recessed Dome
	D5P-W (WHITE) D5P-B (BLACK)	Dummy Pendant Dome

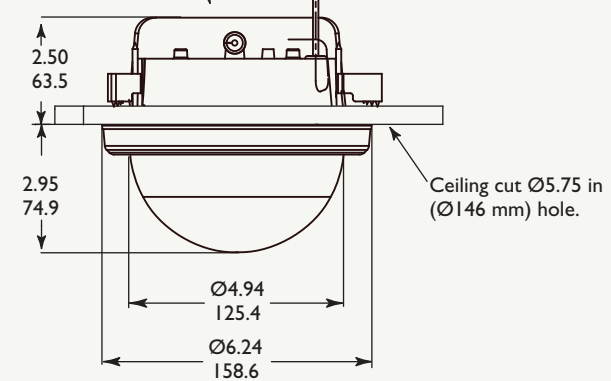
D5 SERIES MOUNTING VERSIONS - DIMENSIONAL OUTLINES

Threaded conduit with two conduit nuts. Size 3/4-inch or PG-21, supplied by customer.



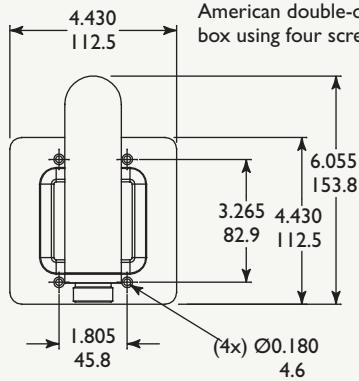
Pendant/Pipe

Test Cable located inside dome for field-of-view adjustment while mounted.

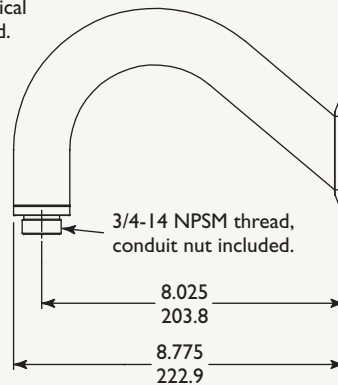


Recessed/In-Ceiling

Hole pattern permits mounting of unit to a standard North American double-outlet electrical box using four screws, included.



Pendant/Wall



in
mm

aigis
mechtronics
Now Part of **Linear**[®]
Building On Innovation.

1950 Camino Vida Roble, Suite 150
Carlsbad, CA 92008
Tel: 760.438.7000 800.421.1587
www.aigismech.com • www.linearcorp.com

Free Manuals Download Website

<http://myh66.com>

<http://usermanuals.us>

<http://www.somanuals.com>

<http://www.4manuals.cc>

<http://www.manual-lib.com>

<http://www.404manual.com>

<http://www.luxmanual.com>

<http://aubethermostatmanual.com>

Golf course search by state

<http://golfingnear.com>

Email search by domain

<http://emailbydomain.com>

Auto manuals search

<http://auto.somanuals.com>

TV manuals search

<http://tv.somanuals.com>