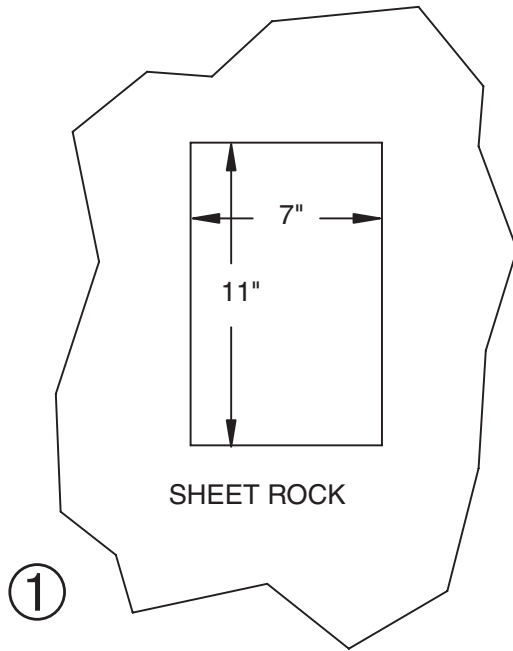
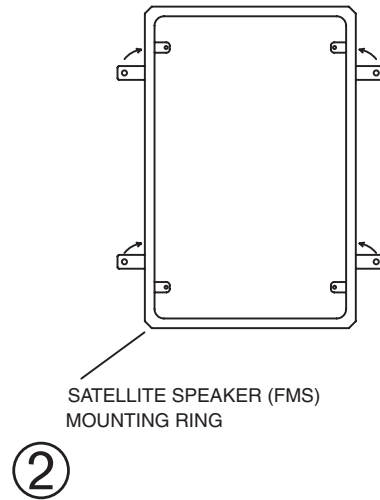


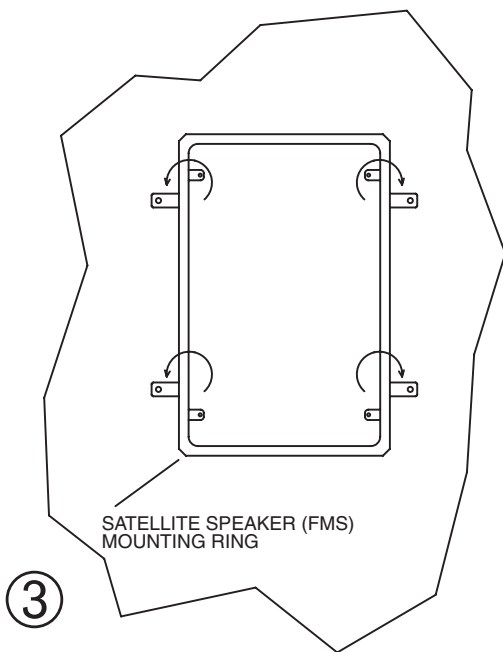
ROUGH-IN INSTALLATION INSTRUCTIONS FOR THE FLUSH-MOUNT SPEAKER



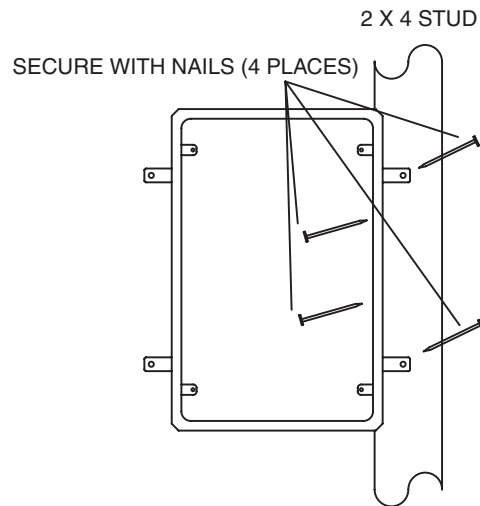
STEP 1: Cut 7" x 11" Hole in the Sheetrock.



STEP 2: Bend Mounting Tabs Straight.



STEP 3: Insert Ring into the Sheetrock &
Bend Mounting Tabs around behind the Sheetrock



ALTERNATE METHOD
Nail to the Stud during framing of the house.

Free Manuals Download Website

<http://myh66.com>

<http://usermanuals.us>

<http://www.somanuals.com>

<http://www.4manuals.cc>

<http://www.manual-lib.com>

<http://www.404manual.com>

<http://www.luxmanual.com>

<http://aubethermostatmanual.com>

Golf course search by state

<http://golfingnear.com>

Email search by domain

<http://emailbydomain.com>

Auto manuals search

<http://auto.somanuals.com>

TV manuals search

<http://tv.somanuals.com>