

# H480-2 INSTALLATION INSTRUCTIONS



## ABOUT THE H480-2 MOUNTING CLAMP DESIGN

The H480-2 speaker features rigid, heavy-duty mounting clamps that ensure a quick, secure, vibration-free installation in walls from 1/2" to 1-1/2" in thickness.

The H480-2 model has four mounting clamps.

## DAMPING THE WALL CAVITY

Damping the wall/ceiling cavity behind the speakers by loosely filling it with fire-rated fiberglass insulation can enhance the performance of your speakers and reduce unwanted transmission of sound into adjacent rooms.

## PAINTING THE SPEAKERS

All speakers can be finished to match any room décor. Their white, textured frames and no-rust aluminum grilles readily accept most water-based interior latex and spray enamels.

We recommend the grille and frame be painted separately. To aid in frame painting, we've included a plastic paint shield that will protect the speaker baffle.

### Painting Tips:

1. If not using spray paint, we recommend that the paint be thinned to prevent clogging the speaker grille perforations.
2. When painting, several light coats will yield the best results.

As the installation of flush-mount speakers requires cutting into walls where high-voltage wiring, pipes and duct work may be present, installation should be performed by experienced and trained professionals only.

### NOTES:

- **Check for Obstructions**—Before cutting holes in any existing wall or ceiling surface, the cavity behind each speaker's installation location **MUST** be probed for obstructions. Make sure to probe both speaker locations in the room to ensure that symmetrical placement is feasible.
- **New Construction Installation**—In new construction installations, the H481-6 mounting brackets can be used to mount the H480-2

speakers. The H481-6 brackets can be mounted before the drywall is installed. Visit the [openhousesystem.com](http://openhousesystem.com) web site for further information.

- Always maintain proper polarity when wiring speakers. Failure to do so will result in poor stereo imaging and a decrease in base response.

## CUTTING SPEAKER OPENINGS IN FINISHED WALLS

1. Use a stud finder to locate the studs around the intended speaker placement. **NOTE:** A stud-finding device **MAY NOT** detect pipes, wiring, or other obstructions located behind the drywall.
2. Use the inside portion of the speaker cutout template to confirm the speaker placements.
3. Remove templates and drill or carefully poke a pilot hole in both locations. A bent piece of wire or a coat hanger may be used to probe the stud bay for obstructions. If you experience resistance of any kind—**STOP!** If any obstructions are detected, patch the pilot holes and try again in another location.
4. Once you have determined the cavity is free from obstructions, re-position the cutout template and use a pencil to lightly trace the perimeter of the template.
5. Use a keyhole saw, drywall router, or razor knife to cut the openings.

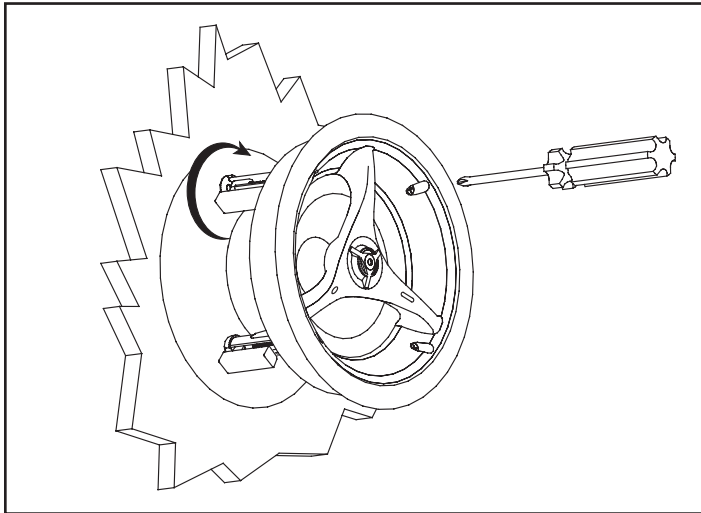
**IMPORTANT NOTE:** *The slim design of the H480-2 speaker frame flanges require that careful attention be paid to not oversize the cut-out hole.*

## IN-CEILING SPEAKER INSTALLATION:

### Complete Assemblies (with or without New Construction Brackets)

1. Remove speaker grille
2. Locate the speaker wire and pull through the ceiling opening.

3. Connect the speaker wire. **BE SURE TO OBSERVE CORRECT POLARITY!**
4. Insert the speaker into the opening in the ceiling and **CAREFULLY** tighten each of the four clamping screws, alternating diagonally between each screw position to ensure proper fit and finish. See **FIGURE 1**.



**Figure 1**

**CAUTION: DO NOT OVER-TIGHTEN THE SCREWS!**  
*If using a drill to tighten the clamping screws, be sure to set the torque setting very low. Setting the drill's torque too high may break the mounting clamps, the wall surface, and/or the speaker frame assembly.*

5. Replace the speaker grille.

## H480-2 SPECIFICATIONS AND DRIVER COMPONENTS

The H480-2 In-Wall/In-Ceiling Loudspeaker line is constructed using the finest materials available to provide a lifetime of listening enjoyment.

Tweeter Material	PEI
Woofer Cone	6.5" Polypropylene
Woofer Surround	Inverted Butyl
Woofer Basket	Stamped
Crossover Response	6dB/octave
Crossover Switches	None
Interconnect Wire	20AWG
Input Connectors	Spring Terminals
Hardware	Stainless Steel
Nominal Impedance	8 Ohms
Sensitivity Range	87dB (1W/1 Meter)
Power Handling	5-50W
Cutout Diameter	8-1/16"
Overall Dimensions	9-1/4" dia. x 3-5/8" deep

## Warranty

Linear LLC warrants this product to be free from defects in material and workmanship for two years (2 years). The time period will be measured using the date code labeled on the product. Linear LLC is not responsible for damage to the product resulting from the buyer's improper handling, stocking or warehousing of the product. Any implied warranty arising from the sale of the product including implied warranties of merchantability and fitness for purpose are limited. Linear LLC shall not be responsible for any losses, damages or expenses, whether direct, consequential, or incidental arising from the use or the inability to use the product. Some states and countries do not allow limitations on how long an implied warranty lasts or the exclusion or limitation or incidental or consequential damages, so the above exclusions may not apply. The Linear LLC warranty gives specific legal rights in addition to other rights, which may exist and vary from state to state and country to country.

The warranty is limited to repair or replacement of products returned, freight prepaid, to Linear LLC, there is **NO PROVISION FOR LABOR COST OR OTHER REIMBURSEMENTS OF ANY KIND.**

1. Failures due to product abuse, such as negligence, improper use, and electrical surge including damage from lightening, water damage or other damage due to natural disasters are not covered by the warranty. The most common form of product abuse is surge damage caused by lightening.
2. The warranty shall also be voided by any tampering with the date code, labels or other markings on the product.
3. Products that are damaged in transit to Linear LLC due to improper packaging or by the carrier (shipping company) will not be covered under the warranty. If the product was damaged or lost by the carrier, it is the sender's responsibility to create a claim against the carrier.
4. The user is responsible for all labor costs associated with removing, reinstalling and returning the product to Linear LLC.

Linear LLC, at its option, will repair or replace the defective product. Replacements will be made from B-Stock, if an exact replacement is not available, Linear LLC, at its option, will select the nearest equivalent product. The user is responsible for freight charges to Linear LLC. Linear LLC will return warranted repaired or replacements by UPS Ground or an equivalent service. A customer may pay the additional costs for second-day or next-day service.

All products returned for warranty service require a Return Product Authorization Number (RPA#). Contact Linear Technical Services at 1-800-999-5225 for an RPA# and other important details.

## Free Manuals Download Website

<http://myh66.com>

<http://usermanuals.us>

<http://www.somanuals.com>

<http://www.4manuals.cc>

<http://www.manual-lib.com>

<http://www.404manual.com>

<http://www.luxmanual.com>

<http://aubethermostatmanual.com>

Golf course search by state

<http://golfingnear.com>

Email search by domain

<http://emailbydomain.com>

Auto manuals search

<http://auto.somanuals.com>

TV manuals search

<http://tv.somanuals.com>