



LINN

English

Français

Deutsch

Español

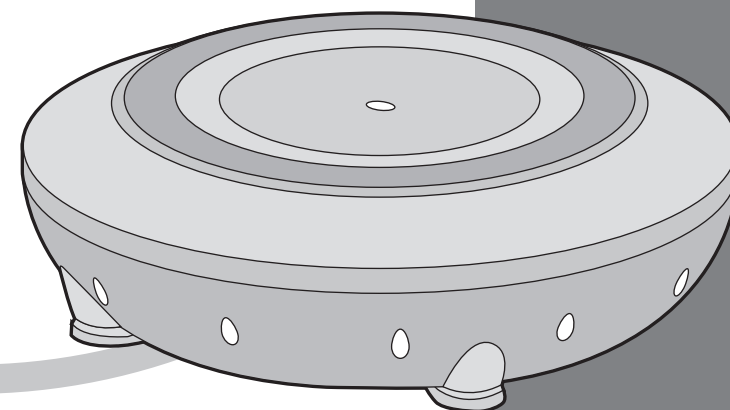
Italiano

Nederlands

日本語

**KOMPONENT 120
BASS EXTENSION
LOUDSPEAKER**

OWNER'S MANUAL



Important Safety Instructions

Explanation of symbols used on the rear or underside of the apparatus:



This symbol is intended to alert the user to the presence of uninsulated dangerous voltages within the enclosure of sufficient magnitude to cause electric shock.



This symbol is intended to alert the user to the presence of important operation, maintenance and servicing information in the instruction and service manuals.

For apparatus connected to the mains electricity supply

CAUTION

TO REDUCE THE RISK OF ELECTRIC SHOCK DO NOT REMOVE THE COVER.

NO USER SERVICEABLE PARTS INSIDE.

REFER SERVICING TO QUALIFIED SERVICE PERSONNEL.

REPLACE THE MAINS FUSE IN THE PLUG WITH ONE OF THE SAME TYPE AND RATING.

DISCONNECT SUPPLY CORD BEFORE CHANGING FUSE.

WARNING

TO REDUCE THE RISK OF FIRE OR ELECTRIC SHOCK DO NOT EXPOSE THIS

APPARATUS TO RAIN OR MOISTURE.

SHOCK HAZARD - DO NOT OPEN.

MAINS PLUGS

This apparatus is supplied with a non-rewireable mains plug for the intended country. Replacement mains leads can be obtained from your Linn retailer. Should you need to change the plug please dispose of it carefully. A plug with bared conductors is dangerous if engaged in a live socket.

The Brown wire must be connected to the Live (Line) supply pin.

The Blue wire must be connected to the Neutral supply pin.

The Green/Yellow wire must be connected to the Earth (Ground) supply pin.

Please contact your retailer or a competent electrician if you are in any doubt.

GENERAL SAFETY INSTRUCTIONS

1. **Read these instructions.**
2. **Keep these instructions.**
3. **Heed all warnings.**
4. **Follow all instructions.**
5. **Do not use the apparatus near water**, for example near a bathtub, washbowl, kitchen sink, laundry tub, in a wet basement, near a swimming pool etc.
6. **Clean only with dry cloth.**
7. **Do not block any ventilation openings. Install in accordance with the manufacturer's instructions.** Site the apparatus so that its location or position does not interfere with its proper ventilation. For example, the apparatus should not be situated on a bed, sofa, rug, or similar surface that may block the ventilation openings, or placed in a built-in installation such as a bookcase or cabinet that may impede the flow of air through the ventilation openings.
8. **Do not install near any heat sources such as radiators, heat registers, stoves, or other apparatus (including amplifiers) that produce heat.**
9. **Do not defeat the safety purpose of the polarised or grounding type plug.** A polarised plug has two blades with one wider than the other. A grounding type plug has two blades and a third grounding prong. The wide blade or the third prong is provided for your safety. If the provided plug does not fit into your outlet, consult an electrician for replacement of the obsolete outlet.
10. **Protect the power cord from being walked on or pinched particularly at plugs, convenience receptacles, and at the point where they exit from the apparatus.**
11. **Only use attachments/accessories specified by the manufacturer.**
12. **Use only with the stand, tripod, bracket, or table specified by the manufacturer, or sold with the apparatus.**
13. **Unplug this apparatus during lightning storms or when unused for long periods of time.**
14. **Refer all servicing to qualified service personnel.** Servicing is required when the apparatus has been damaged in any way, such as power-supply cord or plug has been damaged, liquid has been spilled or objects have fallen into the apparatus, the apparatus has been exposed to rain or moisture, does not operate normally, or has been dropped.
15. **Wall or ceiling mounting.** Mount the apparatus to a wall or ceiling only as recommended by the manufacturer.
16. **Power sources.** Connect the apparatus to a power supply only of the type described in the operating instructions or marked on the apparatus.
17. **Mains plug.** Use the mains plug to disconnect the apparatus from the mains supply. The mains plug must be accessible at all times. Use the mains switch (if applicable) when the apparatus is not in use.
18. **Power lines.** An outdoor antenna should be located away from power lines.
19. **Outdoor antenna grounding.** If an outdoor antenna is connected to the apparatus, ensure that the antenna system is grounded to provide some protection against voltage surges and static build up. In the USA see article 810 of the National Electrical Code ANSI/NFPA 70 concerning installation requirements.
20. **Telephone line.** Do not connect the apparatus to a telephone line except where specifically instructed to do so.
21. **Objects and liquid entry.** Do not let objects or liquids fall into the apparatus. Do not expose the apparatus to dripping or splashing. Do not place a vessel containing liquid on top of the apparatus.
22. **No naked flame sources, such as lighted candles, should be placed on the apparatus.**
23. **The apparatus has been designed for use in moderate and tropical climates.**

UK USERS PLEASE READ THIS IMPORTANT SAFETY INFORMATION

Fuse replacement

This appliance is fitted with a non-rewireable 13 Amp mains plug. The plug contains a 5 Amp fuse. If the fuse has blown it can be replaced as follows:

- Pull out the red fuse cover/carrier.
- Remove and dispose of the blown fuse.
- Fit a new 5 Amp BS1362 approved fuse into the carrier and push the carrier back into the plug.

Always ensure the fuse cover is fitted. If the fuse cover is missing do not use the plug. Contact your Linn retailer to obtain a replacement fuse cover.

Fuses are for fire protection and do not protect against electric shock.

Mains plug replacement

Should your mains plug need replacing and you are competent to do this proceed as follows. If you are in doubt contact your Linn retailer or a competent electrician.

- Disconnect the plug from the mains supply.
- Cut off the plug and dispose of it safely. A plug with bared conductors is dangerous if engaged in a live socket.
- Only fit a 13 Amp BS1363A approved plug with a 5 Amp fuse.
- The cable wire colours or a letter will be marked at the connection points of most quality plugs.

Attach the wires securely to their respective points. The Brown wire must go to the Live pin, the Blue wire must go to the Neutral pin, and the Green/Yellow wire must go to the Earth pin.

- Before replacing the plug top ensure that the cable restraint is holding the outer sheath of the cable firmly and that the wires are correctly connected.

WARNING

THIS APPLIANCE MUST BE EARTHED.

Waste Electrical and Electronic Equipment (WEEE) Directive

Directive 2002/96/EC of the European Parliament and of the Council



The symbol (left) is shown on this product. It indicates that the product should not be disposed of with regular household waste, but should be disposed of separately.

Electrical and electronic equipment can contain materials that are hazardous to the environment and human health and therefore should be disposed of at a designated waste facility or returned to your retailer for the appropriate recycling to take place (see www.linn.co.uk for further information).

If you wish to dispose of this product and the product still functions, please consider recycling/reusing it by donating it to a charity shop, selling it or part-exchanging it with your retailer.



CE Declaration of Conformity

Linn Products Ltd declare that this product is in conformance with the Low Voltage Directive 73/23/EEC and Electromagnetic Compatibility 89/336/EEC as amended by 92/31/EEC and 93/68/EEC.

The conformity of the designated product with the provisions of Directive number 73/23/EEC (LVD) is proved by full compliance with the following standards:

| Standard number | Date of issue | Test type |
|-----------------|---------------|--|
| EN60065 | 2002 | General requirements Marking Hazardous radiation Heating under normal conditions Shock hazards under normal operating conditions Insulation requirements Fault conditions Mechanical strength Parts connected to the mains supply Components Terminal devices External flexible cords Electrical connections and mechanical fixings Protection against electric shock Stability and mechanical hazards Resistance to fire |

The conformity of the designated product with the provisions of Directive number 89/336/EEC (EMC) is proved by full compliance with the following standards:

| Standard number | Date of issue | Test type |
|-----------------|---------------|---------------------|
| EN55013 | 2001 | Conducted emissions |
| EN55013 | 2001 | Absorbed emissions |
| EN55020 | 2002 | Immunity |

FCC notice

NOTE:

This equipment has been tested and found to comply with the limits for a Class B digital device, pursuant to Part 15 of the FCC Rules. These limits are designed to provide reasonable protection against harmful interference in a residential installation. This equipment generates, uses and can radiate radio frequency energy and, if not installed and used in accordance with the instructions, may cause harmful interference to radio communications. However, there is no guarantee that interference will not occur in a particular installation. If this equipment does cause harmful interference to radio or television reception, which can be determined by turning the equipment off and on, the user is encouraged to try to correct the interference by one or more of the following measures:

- Reorient or relocate the receiving antenna.
- Increase the separation between the equipment and receiver.
- Connect the equipment into an outlet on a circuit different from that to which the receiver is connected.
- Consult the dealer or an experienced radio/TV technician for help.

Copyright and Acknowledgements

Copyright © 2004 Linn Products Ltd. First edition December 2004.

Linn Products Limited, Glasgow, Road, Waterfoot, Eaglesham Glasgow, G76 OEQ,
Scotland, United Kingdom

All rights reserved. No part of this publication may be reproduced, stored in a retrieval system, or transmitted, in any form or by any means, electronic, mechanical, photocopying, recording, or otherwise, without the prior written permission of the publisher.

Trade marks used in this publication: **Linn** and the **Linn logo** are registered trade marks of Linn Products Limited. **KOMPONENT**, **CLASSIK** and **UNIDISK** are trade marks of Linn Products Limited.

The information in this manual is furnished for informational use only, is subject to change without notice, and should not be construed as a commitment by Linn Products Limited. Linn Products Limited assumes no responsibility or liability for any errors or inaccuracies that may appear in this manual.

Part No: PACK 1029

Introduction

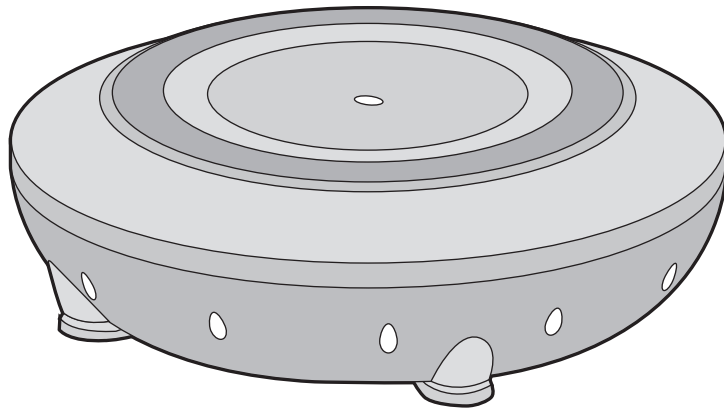
KOMPONENT is a revelation in loudspeaker design. Delivering an authentic playback experience, KOMPONENT combines astounding performance with its own contemporary style designed to complement your living environment.

Whether your passion is for music or movies, KOMPONENT effortlessly handles the audio. All loudspeakers in the system have been designed to be free-standing or installed on a wall, e.g. alongside a flat screen TV.

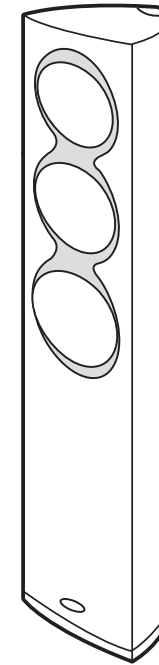
It is recommended that KOMPONENT is partnered with a Linn disc player, such as CLASSIK Movie Di or one of our UNIDISK universal disc players, for an optimised home theatre experience.

The KOMPONENT System

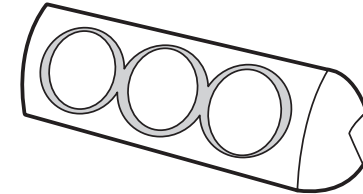
KOMPONENT 120
Bass Extension Loudspeaker



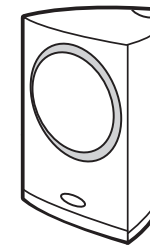
KOMPONENT 110



KOMPONENT 106
Centre



KOMPONENT 104



Unpacking

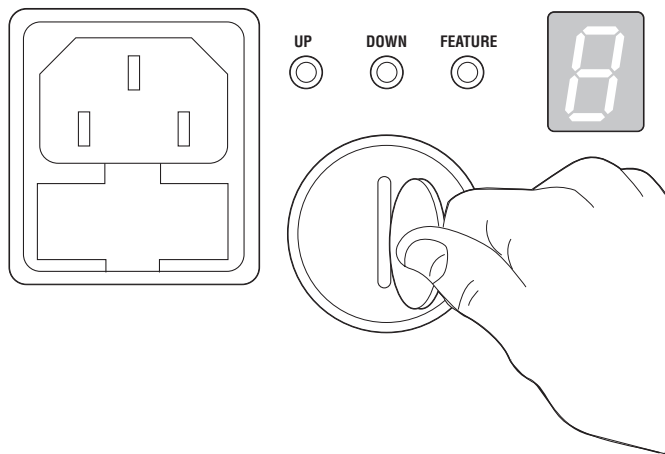
The KOMPONENT 120 loudspeaker is supplied with the following accessories:

- mains lead
- phono lead
- wall-mounting bracket kit
- spike kit
- set of floor protectors
- warranty card
- this manual
- wall bracket assembly instructions

We recommend that you retain the packaging in case you need to transport the KOMPONENT 120 loudspeaker at a later date.

Voltage selection

WARNING - Ensure the mains supply is disconnected.
The KOMPONENT 120 is factory-set for a 230 volt mains supply and must not be connected to a mains supply other than this before it is adjusted for your local voltage.



Positioning

The KOMPONENT 120 loudspeaker can be placed anywhere you find convenient, but please consider the following points:

- For best results, position your KOMPONENT 120 loudspeaker as close as possible to either your left front or right front loudspeaker. It can be floor-mounted, shelf-mounted or (using the bracket supplied) wall-mounted.
- Experimenting with the position may be necessary in order to match the sound of the KOMPONENT 120 loudspeaker with other loudspeakers in your system and the acoustics of the room.

Whichever mounting method you employ, ensure that the KOMPONENT 120 is held or positioned rigidly, in order to ensure that the movement of the drive units is converted to sound energy, rather than cabinet movement (in the form of vibration, wobble etc.).

Replacing the fuse in the KOMPONENT 120 speaker

Should the mains fuse blow, replace it only with an equivalent part (see table below). The fuse holder is located just below the mains inlet socket. To replace the fuse, disconnect the product from the mains supply, remove the fuse using a flat blade screwdriver, insert a new fuse. If the fuse blows a second time there is a fault in the product; contact your local retailer.

Fuse selection table

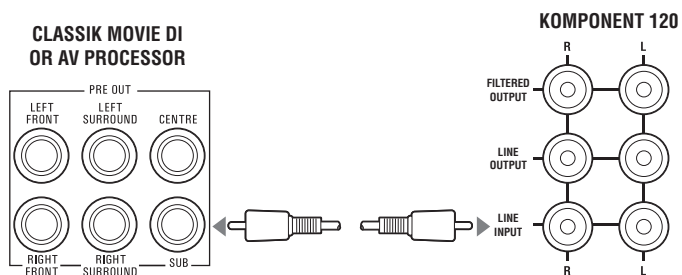
| MAINS INPUT VOLTAGE | FUSE TYPE |
|---------------------|--------------|
| 100V | 125V T6.3AL |
| 115V | 125V T6.3AL |
| 230V | 250V T3.15AL |

Connecting

IMPORTANT:

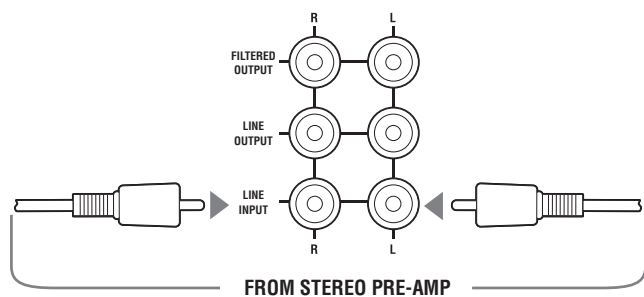
Do not turn on the mains supply until you have connected all other components.

Connecting to an AV processor:



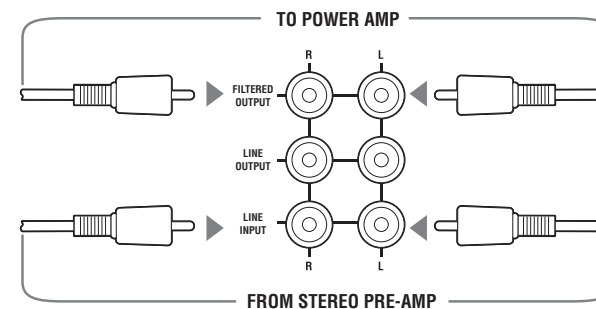
Connecting to a stereo pre-amplifier

if used with large (full-range frequency response) loudspeakers.



Connecting to a stereo pre-amplifier and power amplifier

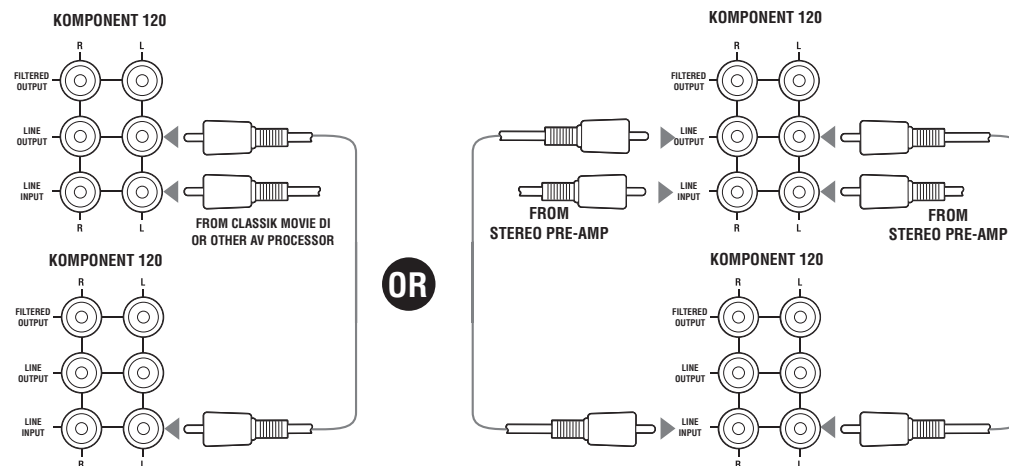
if used with small (limited bass response) loudspeakers.



NOTE:

In the above configuration the KOMPONENT 120 loudspeaker is being used to stop low bass notes being sent to the main speakers.

Connecting to another KOMPONENT sub loudspeaker



Once all the other connections have been made, connect the KOMPONENT 120 loudspeaker to a mains supply using the mains lead provided.

Cleaning

Disconnect the KOMPONENT 120 loudspeaker from the power supply before cleaning.

Remove dust and fingerprints with a soft, dry cloth. Avoid using domestic cleaning products on the unit.

Operating modes

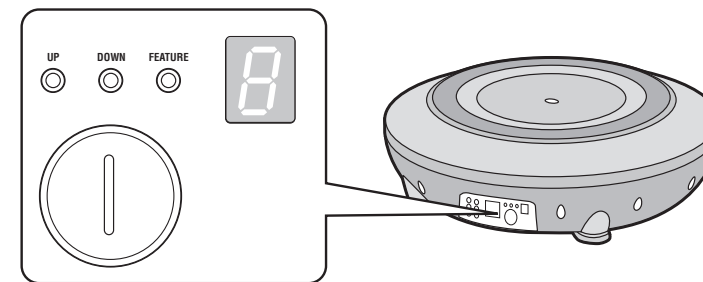
| SYMBOL | MODE | MEANING |
|--------|-----------------|--|
| ◆ | Standby | The unit is waiting for an audio signal In this mode the unit consumes minimal power. The unit will enter standby mode ten minutes after audio input ceases. |
| — | On | The unit is fully powered-up The unit will enter this mode as soon as it receives an audio signal. |
| ⌂ | Thermal Standby | The unit has overheated During very demanding, sustained use the unit will go into Thermal Standby mode in order to allow itself to cool down. When in this mode the unit will not produce any sound. The unit will return to On mode when its temperature has dropped to its operating level. |

Parameters

The KOMPONENT 120 loudspeaker is equipped with four adjustable parameters (features) that enable you to alter its performance to suit your taste.

NOTE:

The parameters can only be adjusted when the KOMPONENT 120 loudspeaker is not in standby mode.



Adjusting the parameters

To select the parameter you wish to adjust:

- Hold FEATURE.
- Repeatedly press UP or DOWN until the letter for the desired parameter appears.
- Release FEATURE.
- Repeatedly press UP or DOWN to change the setting.



NOTE:

A few seconds after releasing the last key, the display changes to —



To restore the factory defaults:

- Disconnect the KOMPONENT 120 loudspeaker from the mains supply and wait for the display to go blank.
- While holding FEATURE reconnect the mains supply.
- Continue to hold FEATURE until the display shows H

Main parameters

| SYMBOL | FUNCTION | RANGE |
|---|---|------------------------------|
|  | <p>Gain (volume) If you wish to increase the volume of the KOMPONENT 120 loudspeaker compared with your other loudspeakers, increase the setting. If you wish to lower the volume, decrease the setting.</p> | 1 to 7 (default is 4) |
|  | <p>Phase Depending on your seating distance from the KOMPONENT 120 loudspeaker and your other loudspeakers, you may attain better sound quality by switching this setting.</p> | 0 or 1 (default is 0) |

Additional parameters

| SYMBOL | FUNCTION | RANGE |
|---|--|--|
|  | <p>High pass frequency* Increasing/decreasing the setting reduces/increases the amount of bass sent to the other speakers</p> | 1 to 9 (default is 5) |
|  | <p>Low pass frequency Decreasing the setting lowers the highest frequency produced by the unit.</p> | 1 to 4 (default is 3) If set to 4 all frequencies are passed through, i.e. no filtering of the signal takes place. |

* For use when the KOMPONENT 120 speaker is connected to a power amplifier (see *Connecting* section). If a power amplifier is not used, leave set at 5.

Guarantee and Service

This product is guaranteed under the conditions which apply in the country of purchase and your statutory rights are not limited. In addition to any statutory rights you may have, Linn undertake to replace any parts which have failed due to faulty manufacture. To help us, please ask your Linn retailer about the Linn warranty scheme in operation in your country.

In parts of Europe, the United States of America and some other markets, extended warranty may be available to customers who register their purchase with Linn. A warranty registration card is included with the product and should be stamped by your retailer and returned to Linn as soon as possible. Alternatively, you can register your warranty online at www.linn.co.uk

Warning

Unauthorised servicing or dismantling of the product invalidates the manufacturer's warranty. There are no user serviceable parts inside the product and all enquiries relating to product servicing should be referred to authorised retailers only.

Technical support and information

For technical support, product queries and information, please contact either your local retailer or one of the Linn offices opposite.

Full details of your local retailer/distributor can be found on the Linn web site: www.linn.co.uk

Important

- Please keep a copy of the sales receipt to establish the purchase date of the product.
- Please ensure that your equipment is insured by you during any transit or shipment for repair.

Linn Products Limited

Glasgow Road
Waterfoot
Eaglesham
Glasgow G76 0EQ
Scotland, UK

Phone: +44 (0)141 307 7777
Fax: +44 (0)141 644 4262
Helpline: 0500 888909
Email: helpline@linn.co.uk
Website: www.linn.co.uk

Linn Incorporated

8787 Perimeter Park Boulevard
Jacksonville
FL 32216
USA

Phone: +1 (904) 645 5242
Fax: +1 (904) 645 7275
Helpline: 888-671-LINN
Email: helpline@linninc.com
Website: www.linninc.com

Linn Deutschland GmbH

Albert-Einstein-Ring 19
22761 Hamburg
Deutschland

Phone: +49-(0) 40-890 660-0
Fax: +49-(0) 40-890 660-29
Email: info@linngmbh.de
Website: www.linn.co.uk



Free Manuals Download Website

<http://myh66.com>

<http://usermanuals.us>

<http://www.somanuals.com>

<http://www.4manuals.cc>

<http://www.manual-lib.com>

<http://www.404manual.com>

<http://www.luxmanual.com>

<http://aubethermostatmanual.com>

Golf course search by state

<http://golfingnear.com>

Email search by domain

<http://emailbydomain.com>

Auto manuals search

<http://auto.somanuals.com>

TV manuals search

<http://tv.somanuals.com>