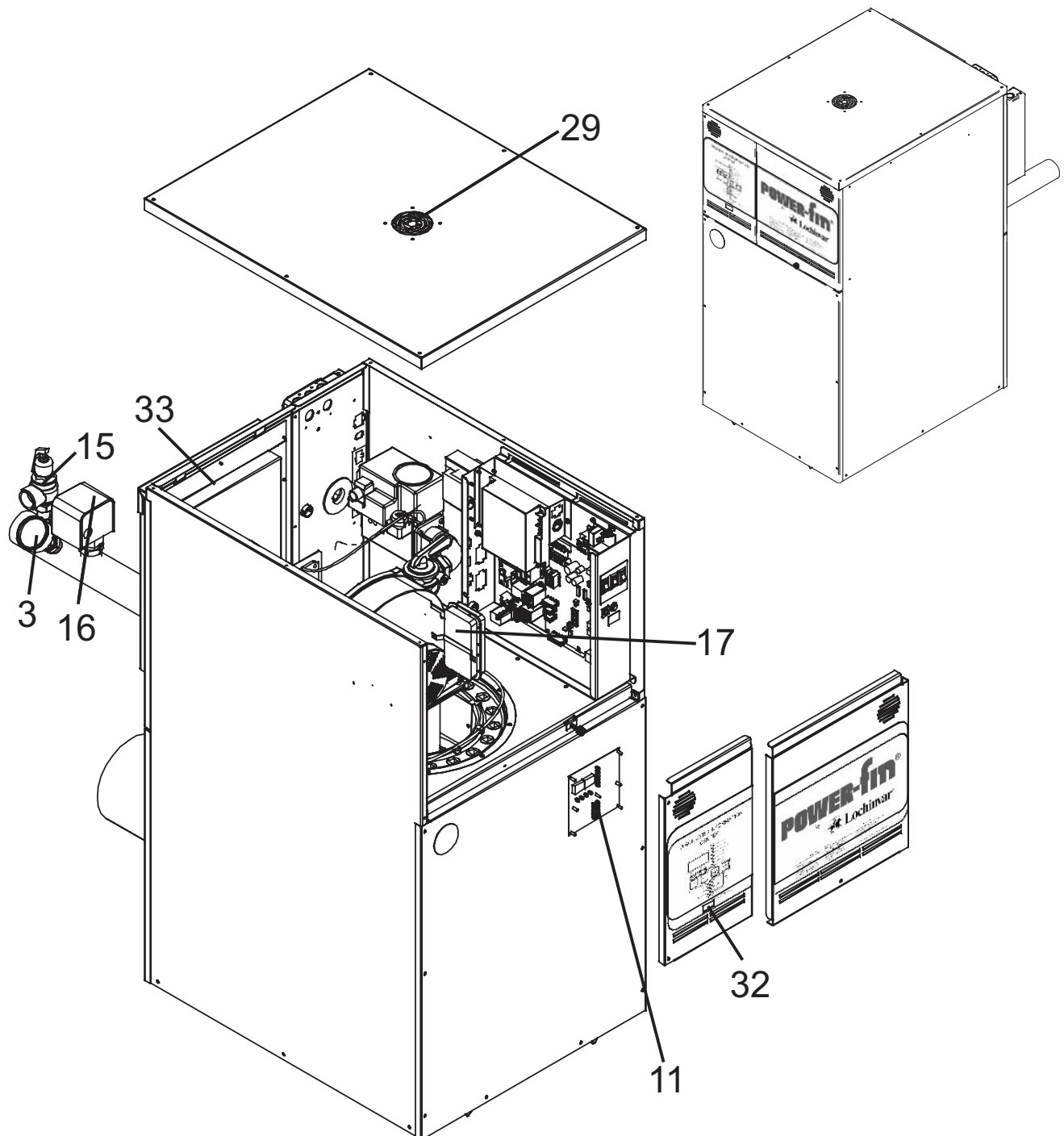




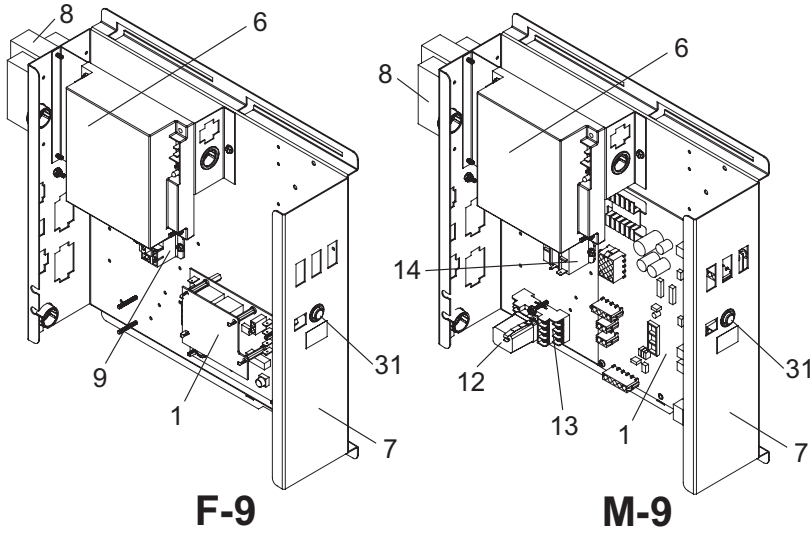
Replacement Parts List

PARTS & SERVICE DEPARTMENT
 Nashville, Tennessee
 615-889-8900 • Fax: 615-547-1000
 www.Lochinvar.com

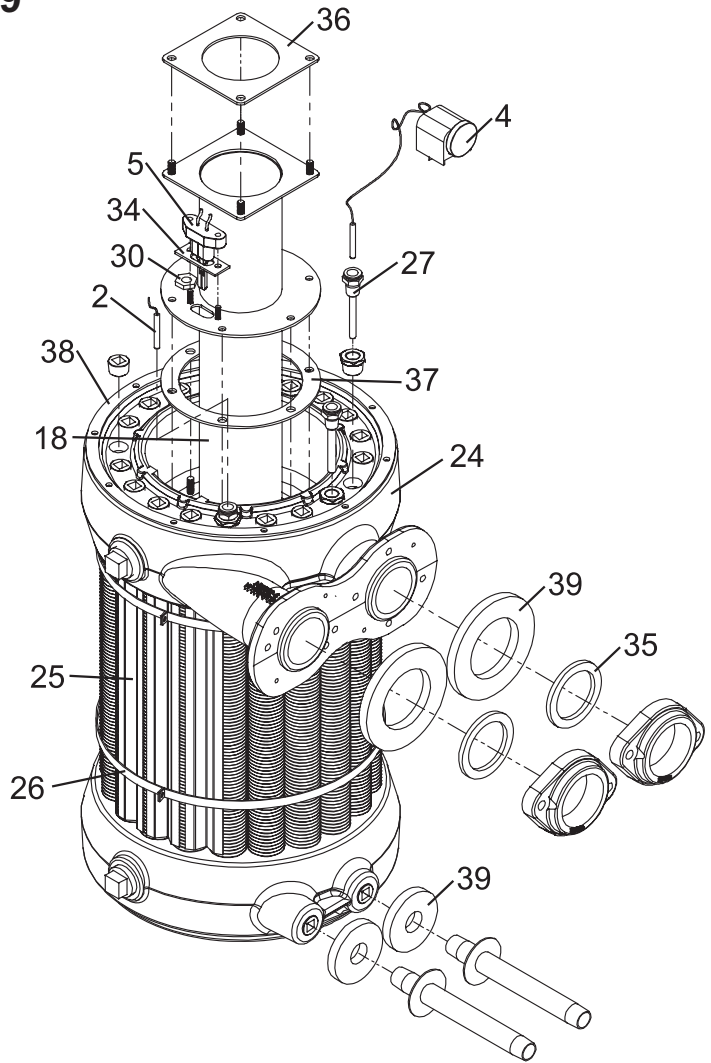
Power-Fin®
 Heating Boilers & Hot Water Supply Boilers
 PB/PF 501 thru 1300
 Starting Serial #A05H00172528



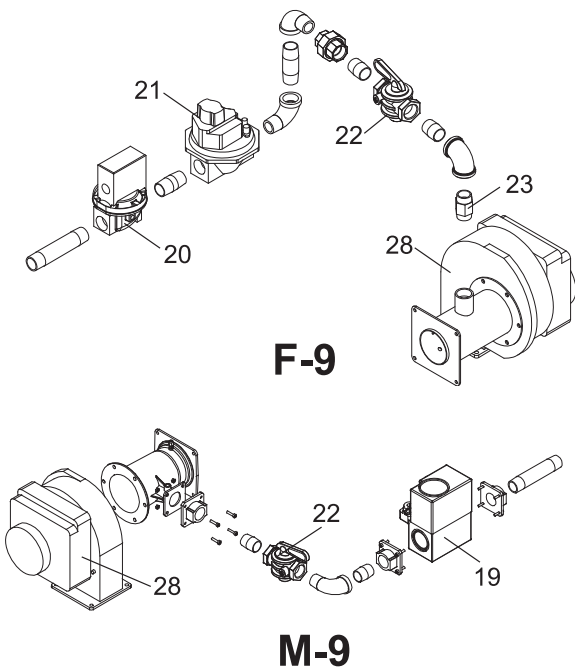
CONTROL PANEL ASSEMBLY



HEAT EXCHANGER ASSEMBLY



GAS TRAIN ASSEMBLY



| ITEM NO. | PART NO. | DESCRIPTION | MODEL NUMBER |
|------------------------------|----------|--------------------------------------|-------------------------|
| CONTROLS & GAUGES | | | |
| 1 | TST2314 | THERMOSTAT, CONTROLLER | PB - F9 |
| 1 | RLY3109 | CONTROL BOARD, WITH I/O RESET | PB - M9 |
| 1 | RLY3110 | CONTROL BOARD | PF - M9 |
| 1 | RLY3111 | CONTROL BOARD | PB - M9 |
| 1 | TST5314 | THERMOSTAT, CONTROLLER | PF |
| 2 | TST2032 | THERMOSTAT SENSOR | F9 |
| 2 | WRE2145 | THERMOSTAT SENSOR | M9 |
| 3 | GTP2900 | GAUGE, TEMP AND PRESSURE | PB |
| 4 | HLC2510 | THERMOSTAT, HI LIMIT 200 DEGREE | PF |
| 4 | HLC2702 | THERMOSTAT, HI LIMIT W/ MANUAL RESET | ALL |
| 5 | PLT3400 | IGNITOR, HOT SURFACE | ALL |
| 6 | RLY2402 | MODULE, IGNITION | ALL |
| 7 | PAN3445 | CONTROL PANEL | PB - M9 |
| 7 | PAN3444 | CONTROL PANEL | PB - F9 |
| 7 | PAN3442 | CONTROL PANEL | PF |
| 8 | TRF2005 | TRANSFORMER (75VA) | ALL |
| 9 | RLY2052 | PUMP RELAY | F9 |
| | RLY2107 | POWER BOARD | F9 |
| 11 | RLY2108 | DISPLAY BOARD | F9 |
| 11 | RLY2724 | DISPLAY BOARD | M9 |
| 12 | RLY2110 | 4 POLE RELAY | M9 |
| 13 | RLY2111 | 4 POLE RELAY BASE | M9 |
| 14 | RLY2706 | PUMP RELAY | M9 |
| 15 | RLV2001 | RELIEF VALVE, PRESSURE ONLY | PB 501-1001 |
| 15 | RLV2003 | RELIEF VALVE, PRESSURE ONLY | PB 1300 |
| 15 | RLV2007 | RELIEF VALVE, TEMPERATURE & PRESSURE | PF |
| 16 | WTR2040 | FLOW SWITCH | ALL |
| 17 | PRS2431 | SWITCH, LOW AIR | 501 - LP - F9 |
| 17 | PRS2432 | SWITCH, LOW AIR | 501- NAT - F9 |
| 17 | PRS2433 | SWITCH, LOW AIR | 751 - LP - F9 |
| 17 | PRS2434 | SWITCH, LOW AIR | 751 - NAT - F9 |
| 17 | PRS2435 | SWITCH, LOW AIR | 1001 - LP - F9 |
| 17 | PRS2436 | SWITCH, LOW AIR | 1001 - NAT - F9 |
| 17 | PRS2437 | SWITCH, LOW AIR | ALL 1300 - F9 |
| 17 | PRS30000 | SWITCH, LOW AIR | PB501-1300 M9 NAT & LP |
| GAS TRAIN ASSEMBLIES | | | |
| 18 | BNR3713 | BURNER | 501 |
| 18 | BNR3714 | BURNER | 751 |
| 18 | BNR3715 | BURNER | 1001 |
| 18 | BNR3716 | BURNER | 1300 |
| 19 | VAL2714 | VALVE, GAS | 501 - M9 |
| 19 | VAL2715 | VALVE, GAS | 751 - M9 |
| 19 | VAL2716 | VALVE, GAS | 1001 - M9 |
| 19 | VAL2717 | VALVE, GAS | 1300 - M9 |
| 20 | VAL2018 | VALVE, GAS 1" | 501 - F9 |
| 20 | VAL2019 | VALVE, GAS 1-1/4" | 751-1001-1300 - F9 |
| 21 | VAL2718 | VALVE, MAIN GAS 1" | 501 - NAT - F9 |
| 21 | VAL2519 | VALVE, MAIN GAS 1" | 501 - LP - F9 |
| 21 | VAL2719 | VALVE, MAIN GAS 1-1/4" | 751-1001-1300- NAT - F9 |
| 21 | VAL2520 | VALVE, MAIN GAS 1-1/4" | 751-1001-1300 - LP - F9 |
| 22 | GAC2029 | GAS COCK | 501 |
| 22 | GAC2030 | GAS COCK | 751-1001-1300 |
| 23 | ORF2762 | ORIFICE, BURNER | 501 - NAT - F9 |
| 23 | ORF2763 | ORIFICE, BURNER | 751 - NAT - F9 |
| 23 | ORF2764 | ORIFICE, BURNER | 1001 - NAT - F9 |
| 23 | ORF2765 | ORIFICE, BURNER | 1300 - NAT - F9 |
| 23 | ORF2766 | ORIFICE, BURNER | 501 - LP - F9 |
| 23 | ORF2767 | ORIFICE, BURNER | 751 - LP - F9 |
| 23 | ORF2768 | ORIFICE, BURNER | 1001 - LP - F9 |
| 23 | ORF2769 | ORIFICE, BURNER | 1300 - LP - F9 |

| ITEM NO. | PART NO. | DESCRIPTION | MODEL NUMBER |
|----------------------------------|------------|---|--------------|
| HEAT EXCHANGER ASSEMBLIES | | | |
| 24 | HEX3228 | HEAT EXCHANGER(HLW) | 501 |
| 24 | HEX3236 | HEAT EXCHANGER (H) | 501 |
| 24 | HEX3229 | HEAT EXCHANGER(HLW) | 751 |
| 24 | HEX3237 | HEAT EXCHANGER (H) | 751 |
| 24 | HEX3230 | HEAT EXCHANGER(HLW) | 1001 |
| 24 | HEX3238 | HEAT EXCHANGER (H) | 1001 |
| 24 | HEX3231 | HEAT EXCHANGER(HLW) | 1300 |
| 24 | HEX3239 | HEAT EXCHANGER (H) | 1300 |
| 25 | JKH2016 | V BAFFLE (20 REQ.) | 501 |
| 25 | JKH2017 | V BAFFLE (20 REQ.) | 751 |
| 25 | JKH2018 | V BAFFLE (20 REQ.) | 1001 |
| 25 | JKH2019 | V BAFFLE (20 REQ.) | 1300 |
| 26 | JKP6569 | V BAFFLE STRAP (500 - 2 REQ.) (750-1300 - 3 REQ.) | ALL |
| 27 | TST2300 | HIGH LIMIT BULB WELL | ALL |
| 27 | TST2306 | OPERATOR BULB WELL | ALL |
| MISCELLANEOUS | | | |
| - | ARM3022PAB | PUMP | ALL PF |
| - | ARM3025PAB | PUMP STARTING SERIAL#F05H00177438 | PF751-1300 |
| - | PUM3006 | PUMP STARTING SERIAL#B0600183977 | PF501 |
| 28 | FAN3727 | FAN, COMBUSTION AIR | ALL |
| 29 | FAN2027 | FAN, VENTILATION | ALL |
| 30 | MSC2731 | BURNER SIGHT GLASS | ALL |
| 31 | SWT2004 | RESET BUTTON | ALL |
| 32 | SWT2006 | ON/OFF SWITCH | ALL |
| 33 | FIL2001 | AIR FILTER | ALL |
| 34 | GKT2012 | IGNITOR GASKET | ALL |
| - | GKT2053 | JACKET GASKET | ALL |
| 35 | GKT2033 | FLANGE GASKET | ALL |
| 36 | GKT2034 | BURNER/BLOWER GASKET | ALL |
| 37 | GKT2035 | BURNER/ HEX GASKET | ALL |
| 38 | GKT2036 | HEX/INNER TOP GASKET | ALL |
| 39 | GKT2705 | HEX/DIVIDER PANEL GASKET | ALL |
| | MSC2975 | CONDENSATE TRAP | ALL |
| - | KIT3064 | KIT, OUTDOOR AIR RESET | PB-F9 |
| - | KIT3065 | KIT, OUTDOOR AIR RESET | PB-M9 |
| - | KIT3066 | KIT, ALARM ON ANY FAILURE WITH BELL | ALL F9 |
| - | KIT3067 | KIT, ALARM ON ANY FAILURE WITH BELL | ALL M9 |
| - | KIT3068 | KIT, MANUAL RESET LOW WATER CUTOFF | ALL |
| - | KIT3070 | KIT, LOUVER CONTACTS | ALL |

PLEASE HAVE MODEL NUMBER AND SERIAL NUMBER WHEN ORDERING PARTS.

Free Manuals Download Website

<http://myh66.com>

<http://usermanuals.us>

<http://www.somanuals.com>

<http://www.4manuals.cc>

<http://www.manual-lib.com>

<http://www.404manual.com>

<http://www.luxmanual.com>

<http://aubethermostatmanual.com>

Golf course search by state

<http://golfingnear.com>

Email search by domain

<http://emailbydomain.com>

Auto manuals search

<http://auto.somanuals.com>

TV manuals search

<http://tv.somanuals.com>