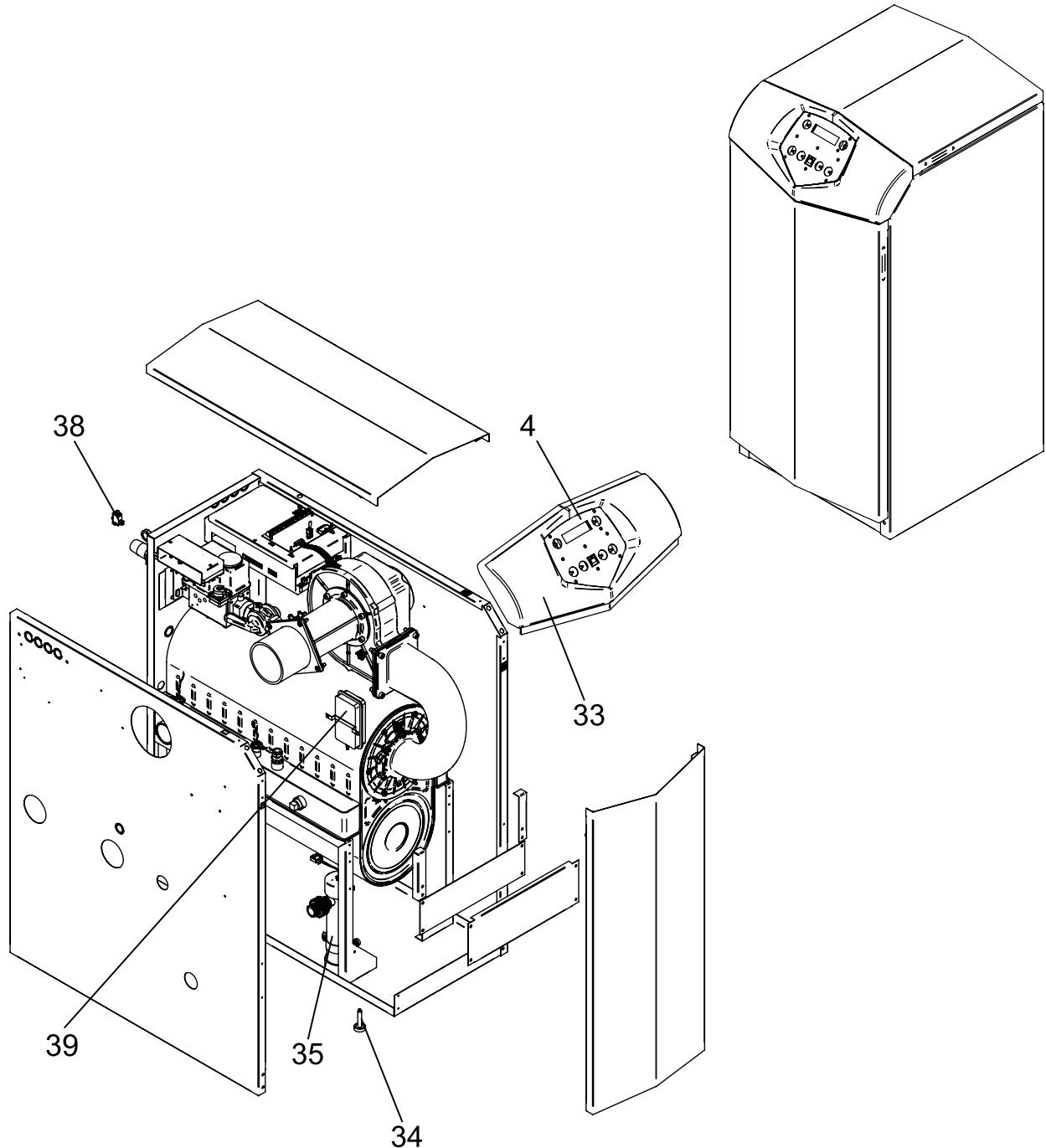




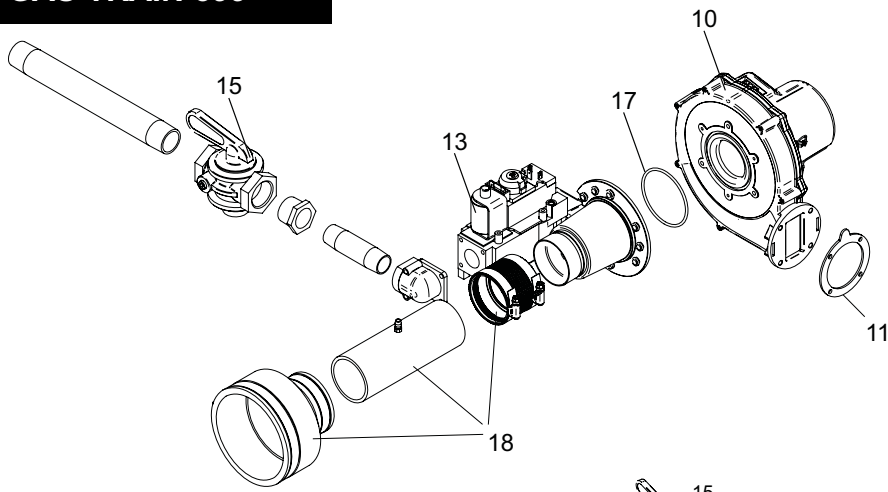
**PARTS & SERVICE DEPARTMENT**  
Nashville, Tennessee  
615-889-8900 / Fax: 615-547-1000  
www.Lochinvar.com

## Replacement Parts List

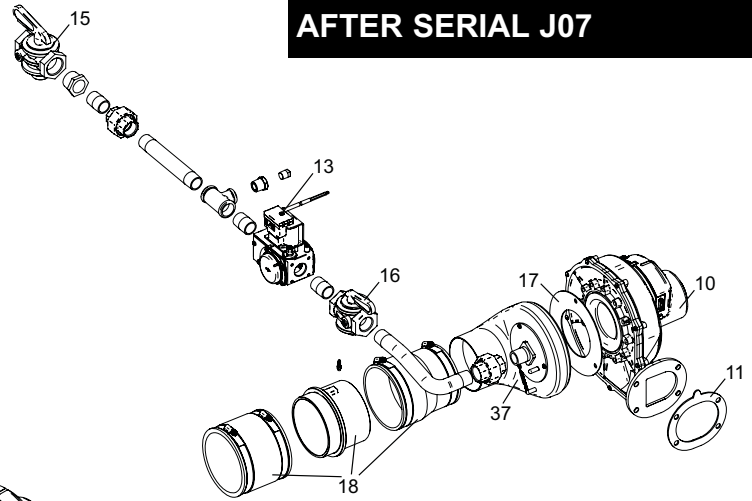
**Knight XL**  
Heating Boilers  
KB 399 thru 800



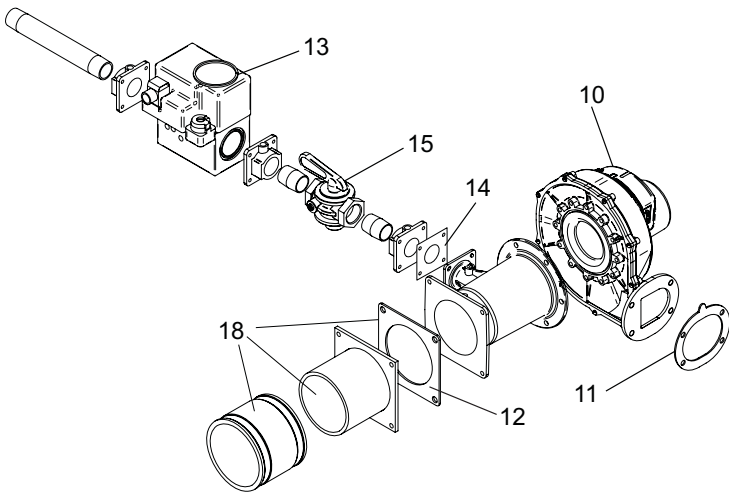
## GAS TRAIN 399



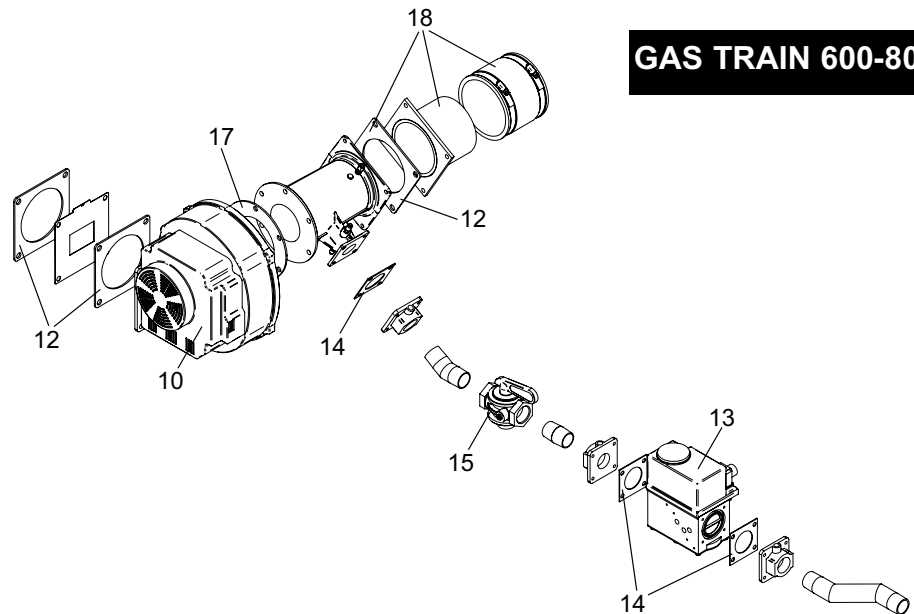
## GAS TRAIN 500 AFTER SERIAL J07

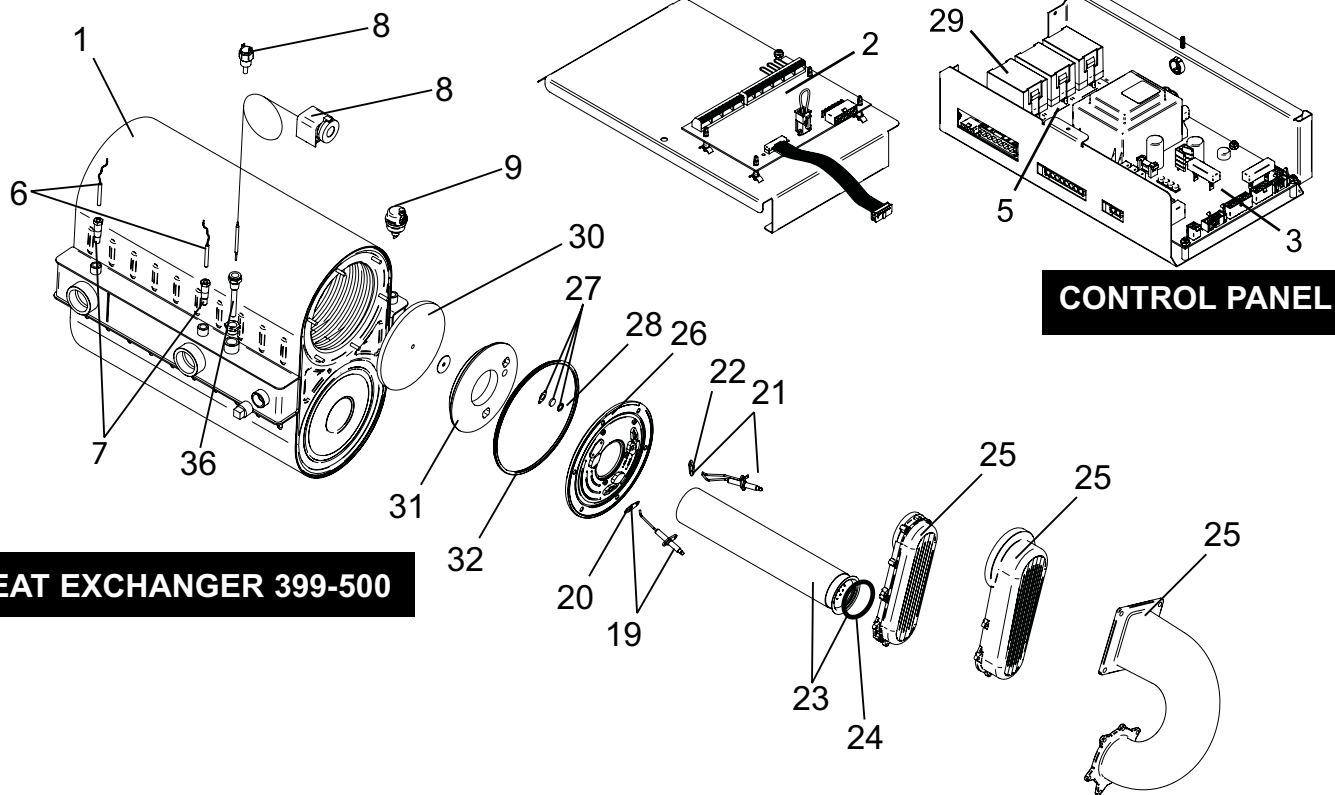


## GAS TRAIN 500 BEFORE SERIAL J07



## GAS TRAIN 600-800





**HEAT EXCHANGER 399-500**

**CONTROL PANEL**

ITEM NO.	PART NO.	DESCRIPTION	MODEL NO.
<b>HEAT EXCHANGER ASSY</b>			
1	HEX3081	HEAT EXCHANGER	KBN399
1	HEX3082	HEAT EXCHANGER	KBN500
1	HEX3088	HEAT EXCHANGER	KBN600
1	HEX3089	HEAT EXCHANGER	KBN700
1	HEX3090	HEAT EXCHANGER	KBN800
<b>CONTROLS</b>			
2	RLY2202	LOW VOLTAGE CONNECTION BOARD	ALL
3	RLY2203	INTEGRATED CONTROL	KBN399
3	RLY2204	INTEGRATED CONTROL	KBN500
3	RLY2211	INTEGRATED CONTROL	KBN600/700
3	RLY2212	INTEGRATED CONTROL	KBN800
3	RLY3203	HIGH ALTITUDE INTEGRATED CONTROL	KBN399
3	RLY3204	HIGH ALTITUDE INTEGRATED CONTROL	KBN500
3	RLY3211	HIGH ALTITUDE INTEGRATED CONTROL	KBN600/700
3	RLY3212	HIGH ALTITUDE INTEGRATED CONTROL	KBN800
4	RLY2210	USER INTERFACE CONTROL	ALL
5	RLY2085	RELAY BOARD, 1.5 HP PUMP	ALL
6	TST2032	INLET/OUTLET SENSOR	ALL
7	TST2044	BULB WELL, INLET/OUTLET SENSOR	ALL
8	HLC2510	HIGH LIMIT (BEFORE SERIAL #C08)	KBN399/500
8	HLC2701	MANUAL RESET HIGH LIMIT (AFTER SERIAL #C08 FOR KBN399/500)	ALL
9	RLV2023	AIR VENT VALVE	ALL
10	FAN3035	FAN ASSEMBLY	KBN399
10	FAN3034	FAN ASSEMBLY (BEFORE SERIAL J07)	KBN500
10	FAN3037	FAN ASSEMBLY (AFTER SERIAL J07)	KBN500
10	FAN3038	FAN ASSEMBLY	KBN600-800
11	GKT2436	BLOWER/AIR ARM GASKET	KBN399
11	GKT2438	BLOWER/AIR ARM GASKET	KBN500
12	GKT2034	BLOWER/AIR ARM GASKET (BEFORE SERIAL J07 FOR KBN500)	KBN500-800

**PLEASE HAVE SERIAL NUMBER AVAILABLE WHEN ORDERING PARTS**

ITEM NO.	PART NO.	DESCRIPTION	MODEL NO.
<b>GAS VALVES</b>			
13	VAL3204	GAS VALVE ASSEMBLY	KBN399
13	VAL3206	GAS VALVE ASSEMBLY (BEFORE SERIAL J07)	KBN500
13	VAL3207	GAS VALVE ASSEMBLY (AFTER SERIAL J07)	KBN500
13	VAL3212	GAS VALVE ASSEMBLY	KBN600/700
13	VAL3213	GAS VALVE ASSEMBLY	KBN800
14	GKT2050	GAS VALVE GASKET	KBN600-800
15	GAC2029	GAS CUT OFF VALVE 1X1 (BEFORE SERIAL J07)	KBN500
15	GAC2029	GAS CUT OFF VALVE 1X1	KBN399,600-800
16	GAC2028	GAS CUT OFF VALVE 3/4 X 3/4 (AFTER SERIAL J07)	KBN500
17	GKT2444	GASKET, VENTURI	KBN399
17	GKT2080	AIR SHROUD GASKET (AFTER SERIAL J07)	KBN500
17	GKT2049	GASKET, VENTURI	KBN600-800
18	MSC3185	AIR INLET KIT	KBN399
18	MSC3187	AIR INLET KIT (AFTER SERIAL J07)	KBN500
18	MSC3186	AIR INLET KIT (BEFORE SERIAL J07 FOR KBN500)	KBN500-800
<b>PILOT &amp; BURNER ASSEMBLIES</b>			
19	PLT3022	FLAME SENSOR W/ GASKET	KBN399-500
19	PLT3023	FLAME SENSOR W/ GASKET	KBN600-800
20	GKT2450	GASKET, FLAME SENSOR	ALL
21	PLT3021	IGNITER W/ GASKET	KBN399-500
21	PLT3024	IGNITER W/ GASKET	KBN600-800
22	GKT2449	GASKET, IGNITER	ALL
23	BNR3429	BURNER W/ GASKET	KBN399/500
23	BNR3432	BURNER W/ GASKET	KBN600
23	BNR3433	BURNER W/ GASKET	KBN700
23	BNR3434	BURNER W/ GASKET	KBN800
24	GKT2451	GASKET, BURNER	KBN399-500
24	GKT2062	GASKET, BURNER	KBN600-800
25	WTR3078	GAS/AIR ARM ASSEMBLY W/GASKET	KBN399
25	WTR3079	GAS/AIR ARM ASSEMBLY W/GASKET	KBN500
25	WTR3085	GAS/AIR ARM ASSEMBLY W/GASKET	KBN600-800
26	WTR3080	HEAT EXCHANGER ACCESS DOOR KIT	KBN399/500
26	WTR3086	HEAT EXCHANGER ACCESS DOOR KIT	KBN600-800
<b>MISCELLANEOUS</b>			
27	MSC3180	SIGHT GLASS	ALL
28	GKT2453	GASKET, SIGHT GLASS	ALL
29	RLY2222	RELAY, 1.5 HP PUMP	ALL
30	FIB2167	DIVIDER PLATE, INSULATION BAFFLE	ALL
31	FIB2168	BURNER PLATE, INSULATION, DOOR	KBN399/500
31	FIB2146	BURNER PLATE, INSULATION, DOOR	KBN600-800
32	GKT2455	GASKET DOOR RUBBER	KBN399/500
32	GKT2063	GASKET DOOR RUBBER	KBN600-800
33	MSC2177	DISPLAY BEZEL	ALL
34	BLT2104	LEVELING LEGS	ALL
35	MSC2973	CONDENSATE TRAP	ALL
	SWT2011	BLOCKED DRAIN SWITCH	ALL
36	TST2300	BULB WELL, HIGH LIMIT	ALL
37	VAL3010	AIR SHROUD (AFTER SERIAL J07)	KBN500
38	SWT2006	ON/OFF SWITCH	ALL
39	PRS2053	PRESSURE SWITCH	KBN399
39	PRS2054	PRESSURE SWITCH	KBN500-700
39	PRS2052	PRESSURE SWITCH	KBN800
	RLV2084	RELIEF VALVE 50 PSI	ALL
	FUS2000	1.25 AMP	ALL
	FUS2001	3.15 AMP	ALL
	FUS2002	5 AMP	ALL
	WTR2040	FLOW SWITCH	ALL
	MSC2514	HIGH VOLTAGE CONNECTION BOARD	ALL
	TST2311	OUTDOOR AIR SENSOR	ALL
	GTP2900	GAUGE TRIOMETER, 75# PSI	ALL
	TST3403	FLUE TEMP SENSOR KIT	ALL
	KIT3078	SYSTEM SENSOR	ALL
	KIT3086	AMRHL	ALL
	KIT3057	MRLWCO WITH TEST	ALL
	KIT3087	NEUTRALIZER KIT	KBN399-500
	KIT30002	NEUTRALIZER KIT	KBN600-800
	KIT3085	ALARM BELL	ALL
	LPK3949	LP CONVERSION KIT	KBN399
	LPK3950	LP CONVERSION KIT (AFTER SERIAL J07 FOR KBN500)	KBN500-800

**PLEASE HAVE SERIAL NUMBER AVAILABLE WHEN ORDERING PARTS**

## Free Manuals Download Website

<http://myh66.com>

<http://usermanuals.us>

<http://www.somanuals.com>

<http://www.4manuals.cc>

<http://www.manual-lib.com>

<http://www.404manual.com>

<http://www.luxmanual.com>

<http://aubethermostatmanual.com>

Golf course search by state

<http://golfingnear.com>

Email search by domain

<http://emailbydomain.com>

Auto manuals search

<http://auto.somanuals.com>

TV manuals search

<http://tv.somanuals.com>