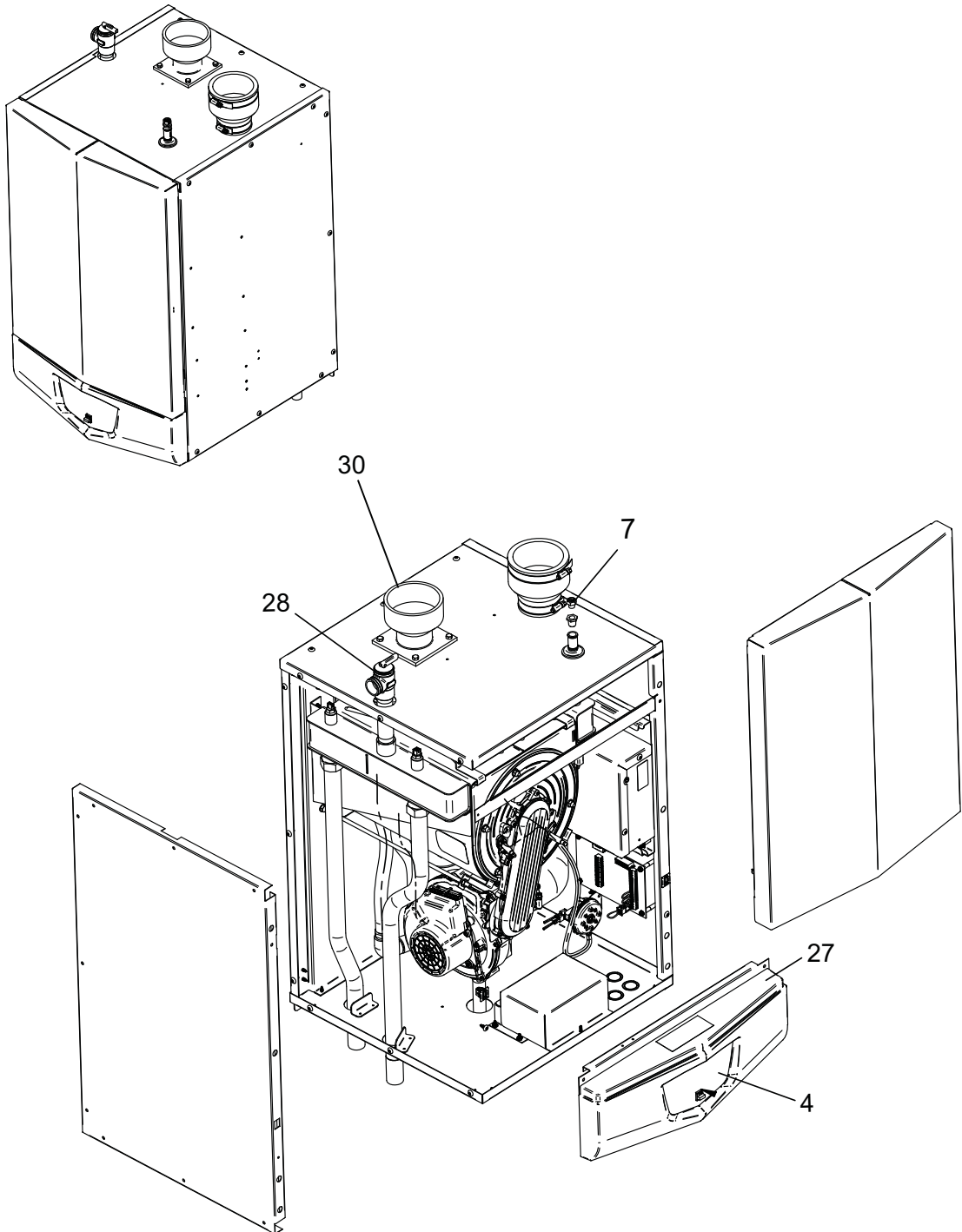




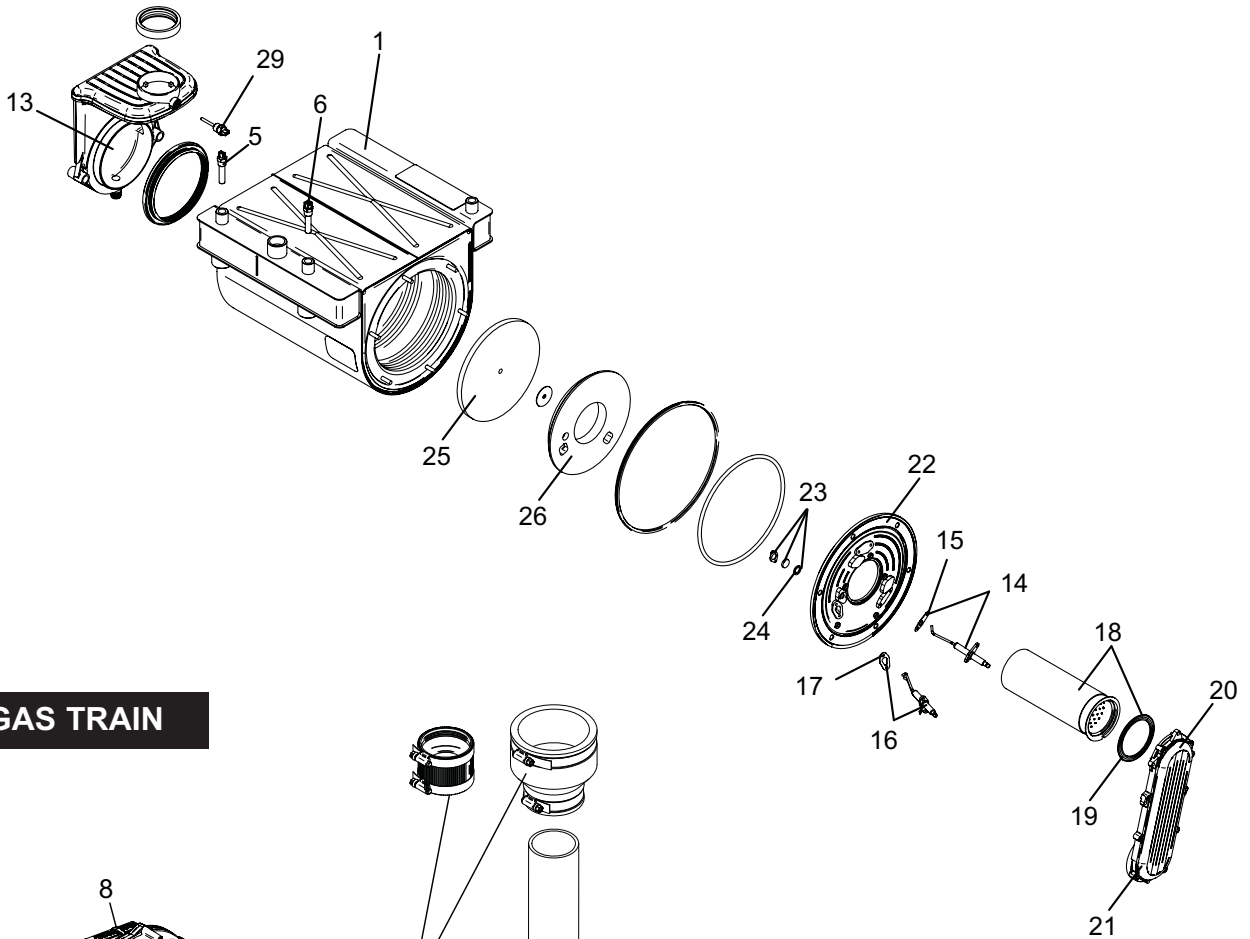
PARTS & SERVICE DEPARTMENT
 Nashville, Tennessee
 615-889-8900 / Fax: 615-547-1000
 www.Lochinvar.com

Replacement Parts List

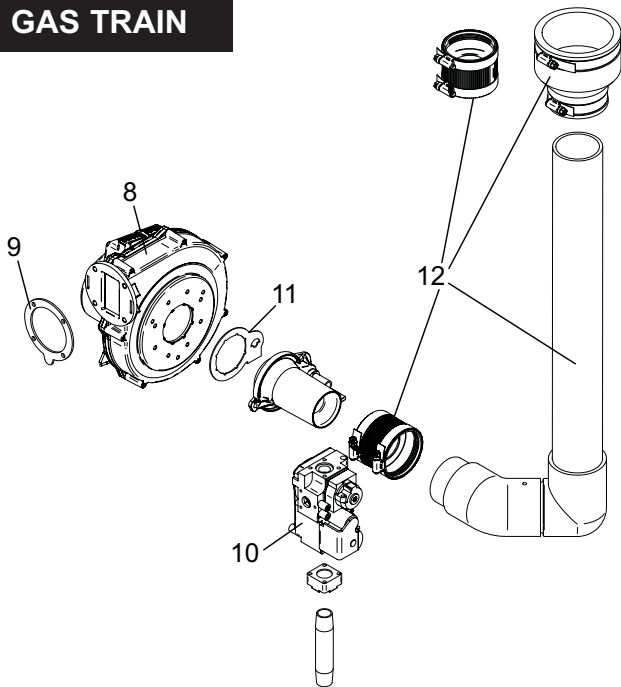
Knight
 Wall Mount Boilers
 WB 50 thru 210



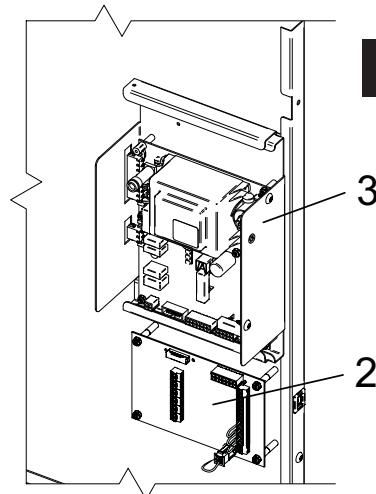
HEAT EXCHANGER 80-210



GAS TRAIN



CONTROL PANEL



ITEM NO.	PART NO.	DESCRIPTION	MODEL NO.
HEAT EXCHANGER ASSEMBLY			
1	HEX3690	HEAT EXCHANGER	WB50/80
1	HEX3691	HEAT EXCHANGER	WB105
1	HEX3692	HEAT EXCHANGER	WB150
1	HEX3693	HEAT EXCHANGER	WB210
CONTROLS			
2	RLY2121	LOW VOLTAGE CONNECTION BOARD	ALL
3	RLY30011	INTEGRATED CONTROL	WB 80-210
3	RLY30015	INTEGRATED CONTROL	WB 50
3	RLY30019	HIGH ALTITUDE INTEGRATED CONTROL	WB 80-210
3	RLY30010	HIGH ALTITUDE INTEGRATED CONTROL	WB 50
4	RLY2210	USER INTERFACE CONTROL	ALL
5	TST2060	INLET SENSOR	ALL
6	TST2061	OUTLET SENSOR / HIGH LIMIT	ALL
7	RLV30000	AIR VENT VALVE	ALL
8	FAN3030	FAN ASSEMBLY	WB50-105
8	FAN3031	FAN ASSEMBLY	WB150
8	FAN3032	FAN ASSEMBLY	WB210
9	GKT2456	BLOWER GASKET	WB50-80, 150
9	GKT2436	BLOWER GASKET	WB105 & 210
GAS VALVES			
10	VAL3208	GAS VALVE ASSEMBLY	WB50
10	VAL3209	GAS VALVE ASSEMBLY	WB80
10	VAL3210	GAS VALVE ASSEMBLY	WB105
10	VAL3211	GAS VALVE ASSEMBLY	WB150/210
11	GKT2443	GASKET, VENTURI	ALL
12	MSC3006	AIR INLET KIT	ALL
13	MSC3007	FLUE TRANSITION	ALL
PILOT & BURNER ASSEMBLIES			
14	PLT3022	FLAME SENSOR W/ GASKET	ALL
15	GKT2450	GASKET, FLAME SENSOR	ALL
16	PLT3021	IGNITOR W/ GASKET	ALL
17	GKT2449	GASKET, IGNITOR	ALL
18	BNR3424	BURNER W/ GASKET	WB50/80
18	BNR3425	BURNER W/ GASKET	WB105
18	BNR3426	BURNER W/ GASKET	WB150
18	BNR3427	BURNER W/ GASKET	WB210
19	GKT2451	GASKET, BURNER	ALL
20	WTR3077	GAS / AIR ARM ASSEMBLY W/ GASKET	WB 50-150
20	WTR3078	GAS / AIR ARM ASSEMBLY W/ GASKET	WB210
21	GKT2454	GAS / AIR ARM ASSEMBLY W/ GASKET	ALL
22	WTR2021	HEAT EXCHANGER ACCESS DOOR	ALL

PLEASE HAVE SERIAL NUMBER AVAILABLE WHEN ORDERING PARTS.

ITEM NO.	PART NO.	DESCRIPTION	MODEL NO.
MISCELLANEOUS			
23	MSC3180	SIGHT GLASS	ALL
24	GKT2453	GASKET, SIGHT GLASS	ALL
25	FIB2167	DIVIDER PLATE, INSULATION BAFFLE	ALL
26	FIB2291	BURNER PLATE, INSULATION, DOOR	ALL
27	MSC2230	DISPLAY BEZEL	ALL
28	RLV2030	RELIEF VALVE 30 PSI	ALL
29	TST2064	FLUE SENSOR	ALL
30	PVC2047	FLUE CONNECTION 2"	WB 50-105
30	PVC2048	FLUE CONNECTION 3"	WB 150-210
	PRS20015	PRESSURE SWITCH	WB 50/80
	PRS20016	PRESSURE SWITCH	WB 105/150
	PRS20017	PRESSURE SWITCH	WB 210
	TST2044	BULBWELL, 1/4"	ALL
	JKB2011	WALL MOUNT BRACKET	ALL
	FUS2000	1.25 AMP	ALL
	FUS2001	3.15 AMP	ALL
	FUS2002	5 AMP	ALL
	WTR2040	FLOW SWITCH	ALL
	MSC2514	STRIP, TERMINAL	ALL
	TST2311	OUTDOOR AIR SENSOR	ALL
	SWT2011	BLOCKED DRAIN SWITCH	ALL
	GTP2900	GAUGE TRIOMETER, 75# PSI	ALL
	TST2032	SYSTEM SENSOR	ALL
	KIT3086	ADJUSTABLE MANUAL RESET HIGH LIMIT	ALL
	WTR20009	MRLWCO WITH TEST	ALL
	KIT3087	NEUTRALIZER KIT	ALL
	KIT3085	ALARM BELL	ALL
	LPK3418	LP CONVERSION KIT	WB50
	LPK3944	LP CONVERSION KIT	WB80
	LPK3945	LP CONVERSION KIT	WB105
	LPK3946	LP CONVERSION KIT	WB150
	LPK3947	LP CONVERSION KIT	WB210
	MSC20009	CONDENSATE TRAP ASSEMBLY BEGINNING L08	ALL
	MSC3008	CONDENSATE TRAP ASSEMBLY PRIOR TO L08	ALL
	MSC3009	CONDENSATE TRAP CAP ASSEMBLY PRIOR TO L08	ALL
	KIT30062	HEAT EXCHANGER CLEANING KIT	WB 50-105
	KIT30063	HEAT EXCHANGER CLEANING KIT	WB 150-210
PUMPS			
	PUM3020	PUMP	ALL
	PUM30005	PUMP, HIGH ALTITUDE	ALL
PLEASE HAVE SERIAL NUMBER AVAILABLE WHEN ORDERING PARTS.			

Free Manuals Download Website

<http://myh66.com>

<http://usermanuals.us>

<http://www.somanuals.com>

<http://www.4manuals.cc>

<http://www.manual-lib.com>

<http://www.404manual.com>

<http://www.luxmanual.com>

<http://aubethermostatmanual.com>

Golf course search by state

<http://golfingnear.com>

Email search by domain

<http://emailbydomain.com>

Auto manuals search

<http://auto.somanuals.com>

TV manuals search

<http://tv.somanuals.com>