

**PARTS & SERVICE DEPARTMENT**

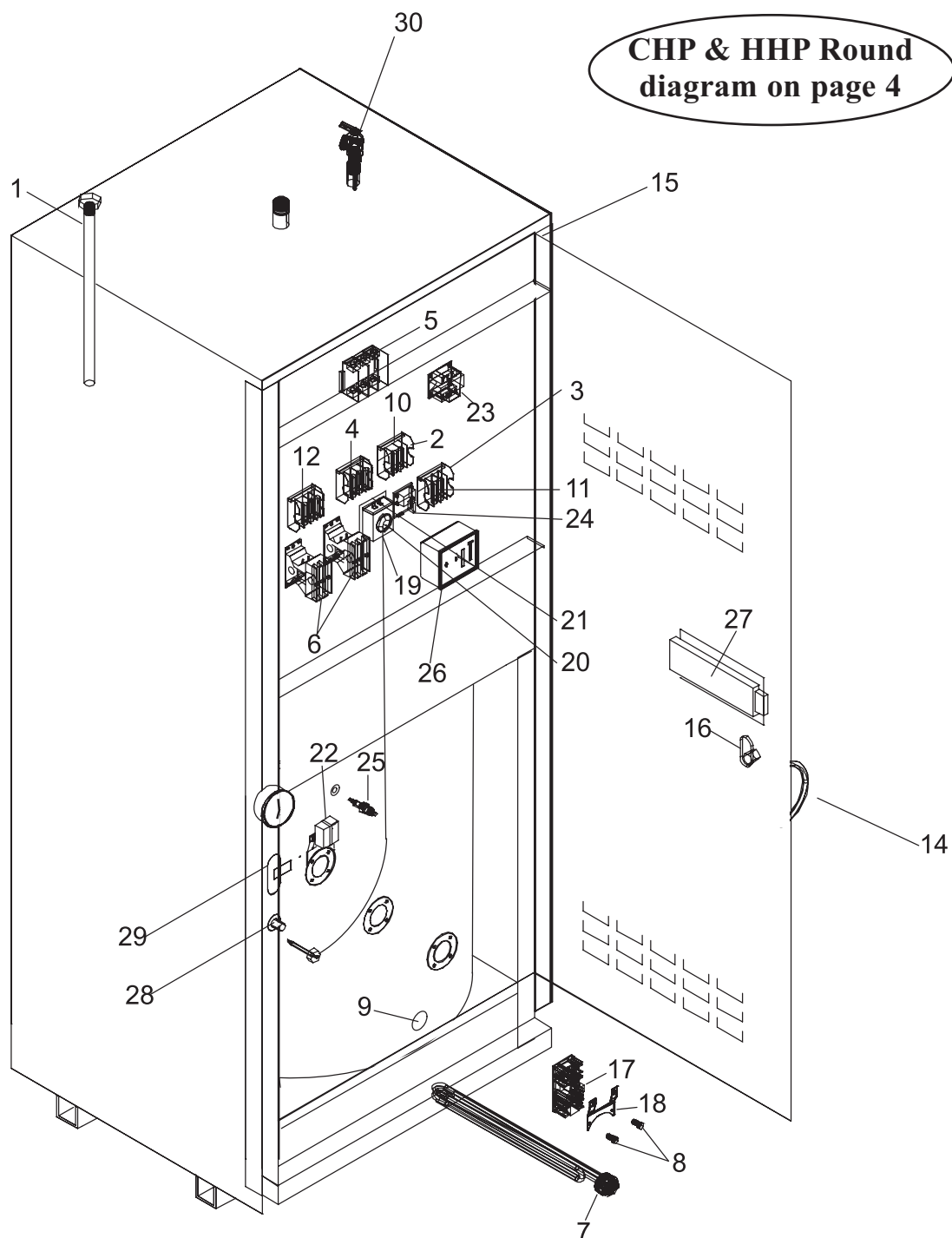
Nashville, Tennessee

615-889-8900 • Fax: 615-547-1000

www.Lochinvar.com

Replacement Parts List

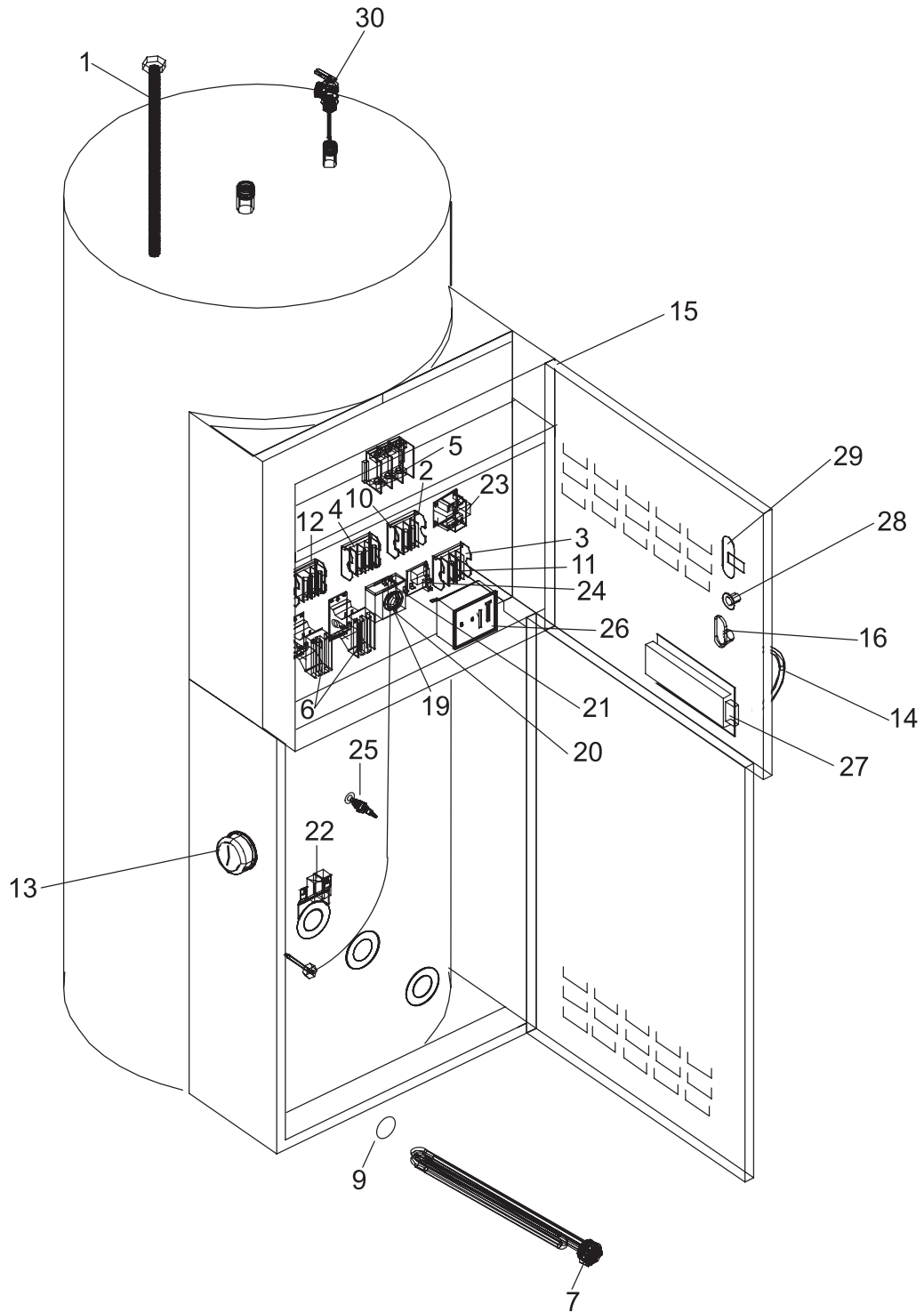
**Commercial Electric
Custom Hi-Power®
Models: CHP & HHP
Round & Square**



ITEM NO.	PART NO.	DESCRIPTION	MODEL NO.
Anode Rods			
1	WTR2501	ANODE ROD 1" NPT X 36" LONG	500 & 600 (3 REQ)
1	WTR2502	ANODE ROD 1" NPT X 48" LONG	150 (1 REQ)
1	WTR2503	ANODE ROD 1" NPT X 62" LONG	200, 250, 300 (1 REQ)
1	WTR2504	ANODE ROD 3/4" NPT X 52" LONG	400 (2 REQ)
Fuse Blocks			
2	BLK2533	FUSE BLOCK, (PRIMARY CONTROL CIRCUIT)	ALL 380, 415, 480 & 600V
2	BLK2536	FUSE BLOCK, (PRIMARY CONTROL CIRCUIT)	ALL 208 & 240V
3	BLK2535	FUSE BLOCK, (SECONDARY CONTROL CIRCUIT)	ALL
4	BLK2508	FUSE BLOCK	ALL 208 & 240V
4	BLK2509	FUSE BLOCK	ALL 380, 415, 480 & 600V
Terminal Blocks			
5	BLK2517	TERMINAL BLOCK	240V: 18-36KW 208V: 18-36KW 408V: 18-54, 72-90KW
5	BLK2518	TERMINAL BLOCK	240V: 54KW 208V: 54, 108KW 480V: 252-270KW
5	BLK2524	TERMINAL BLOCK	240V: 72-90, 108-594KW 208V: 72-90, 144-594KW 480V: 108, 288-900KW
5	BLK2578	TERMINAL BLOCK	480V: 108KW
5	BLK2521	TERMINAL BLOCK	480V: 144-162KW
Contactors			
6	CTR2506	CONTACTOR 50 AMP	ALL
Thermostats			
17	TST2527	THERMOSTAT, SURFACE W/ ECO	ALL SURFACE THERMOSTATS
18	TST2573	BRACKET, THERMOSTAT MOUNTING	ALL SURFACE THERMOSTATS
19	TST2528	THERMOSTAT, IMMERSION	OPTIONAL
20	TST2574	KNOB, THERMOSTAT IMMERSION	OPTIONAL
21	TST2576	BRACKET, THERMOSTAT MOUNTING (IMMERSION)	OPTIONAL
22	HLC2508	HI LIMIT	ALL IMMERSION THERMOSTATS
-	RLY2540	SEQUENCER	OPTIONAL
Transformers			
23	TRF2511	TRANSFORMER, 240/480-120V	UP TO 100VA
23	TRF2510	TRANSFORMER, 240/480-120V	101-150VA
23	TRF2502	TRANSFORMER, 240/480-120V	151-250VA
23	TRF2524	TRANSFORMER, 240/480-120V	251-350VA
23	TRF2521	TRANSFORMER, 380/208-120V	UP TO 100VA
23	TRF2525	TRANSFORMER, 380/208-120V	101-250VA
23	TRF2530	TRANSFORMER, 415/600-120V	UP TO 50VA
23	TRF2531	TRANSFORMER, 415/600-120V	51 - 250VA

ITEM NO.	PART NO.	DESCRIPTION	MODEL NO.
Flanged Elements			
7	WATTAGE	208VOLT	240VOLT
		PART NO.	PART NO.
7	3000	ELE2540	ELE2531
7	4000	ELE2534	ELE2540
7	4500	ELE2537	ELE2543
7	5000	ELE2533	ELE2534
7	6000	ELE2536	ELE2537
			480VOLT
			PART NO
			ELE2532
			ELE2541
			ELE2544
			ELE2535
			ELE2538
Screw-In Type Elements – 1 1/2" NPS			
7	WATTAGE	208VOLT	240VOLT
		PART NO.	PART NO.
7	12000	ELE2558	ELE2557
7	15000	ELE2555	ELE2554
7	18000	ELE2552	ELE2551
			380VOLT
			PART NO
			ELE2564
			ELE2563
			ELE2559
			415VOLT
			PART NO.
			ELE2561
			ELE2560
			ELE2562
			480VOLT
			PART NO.
			ELE2558
			ELE2553
			ELE2550
			600VOLT
			PART NO.
			ELE2579
			ELE2578
			ELE2577
Fuses			
10	FUS2504	FUSE, 600V 15A (PRIMARY CONTROL CIRCUIT)	ALL 380, 415, 480 & 600V
10	FUS2512	FUSE, 250V 15A (PRIMARY CONTROL CIRCUIT)	ALL 240 & 208V
11	FUS2527	FUSE, 250V 15A (SECONDARY CONTROL CIRCUIT)	ALL
12	FUS2517	FUSE, 300V 40A	208V: 18-72, 108-594KW
12	FUS2516	FUSE, 250V 35A	240V: 18-72, 108-594KW
12	FUS2508	FUSE, 600V 35A	408V & 600V: 18-36, 144, 180-252, 288, 342-360, 396-414, 450-468, 504-522, 558-576, 612-630, 666-684, 720-738, 774-792, 828-846, 882-900KW
12	FUS2510	FUSE, 600V 50A	480V & 600V: 54, 108, 162, 216, 324, 378, 432, 486, 540, 594, 648, 702, 756, 810, 864KW
12	FUS2522	FUSE, 600V 60A	480V & 600V: 90 & 270KW
12	FUS2523	FUSE, 250V 60A	208V & 240V: 90KW
Miscellaneous			
8	BLT1018	BOLT, ELEMENT	ALL FOUR BOLT FLANGED
9	GKT2512	GASKET, FLANGED	ALL FOUR BOLT FLANGED
9	GKT2435	GASKET, ELEMENT SCREW-IN	ALL SCREW-IN
13	GTP2003	TEMPERATURE & PRESSURE GAUGE	OPTIONAL
14	MSC2547	HANDLE, DOOR	ALL
15	MSC2546	HINGE	ALL
16	MSC2566	LOCK, KEY	ALL
24	WTR2528	RELAY, LWCO	OPTIONAL
25	WTR2532	PROBE, LWCO	OPTIONAL
26	PRS2008	SWITCH, HIGH WATER PRESSURE	OPTIONAL
-	PRS2507	SWITCH, LOW WATER PRESSURE	OPTIONAL
27	MSC2525	SAFETY DOOR INTERLOCK	OPTIONAL
28	MSC2526	LIGHT, PILOT	OPTIONAL
29	MSC2017	PILOT SWITCH WITH LIGHT	ALL
30	RLV2008	RELIEF VALVE 125# W.P.	ALL
30	RLV2007	RELIEF VALVE 150# W.P.	OPTIONAL
	TP0010PBF	PUMP	HHP
	GKT1015	GASKET, HAND HOLE 4"X6", ONE BOLT	OPTIONAL
	GKT2516	GASKET, MANWAY 11"X15"	OPTIONAL
	GKT2520	GASKET, MANWAY 12"X16"	OPTIONAL
	MSC2511	ALARM BELL	OPTIONAL
	GKT2101	GASKET, SIX BOLT ASME	ALL
	MSC2115	COVER, CLEANOUT SIX BOLT ASME	ALL
	MSC2505	BLOCK-OFF PLATE, ELEMENT ACCESS SCREW-IN TYPE	ALL

Commercial Electric Custom Hi-Power® Round



Free Manuals Download Website

<http://myh66.com>

<http://usermanuals.us>

<http://www.somanuals.com>

<http://www.4manuals.cc>

<http://www.manual-lib.com>

<http://www.404manual.com>

<http://www.luxmanual.com>

<http://aubethermostatmanual.com>

Golf course search by state

<http://golfingnear.com>

Email search by domain

<http://emailbydomain.com>

Auto manuals search

<http://auto.somanuals.com>

TV manuals search

<http://tv.somanuals.com>