

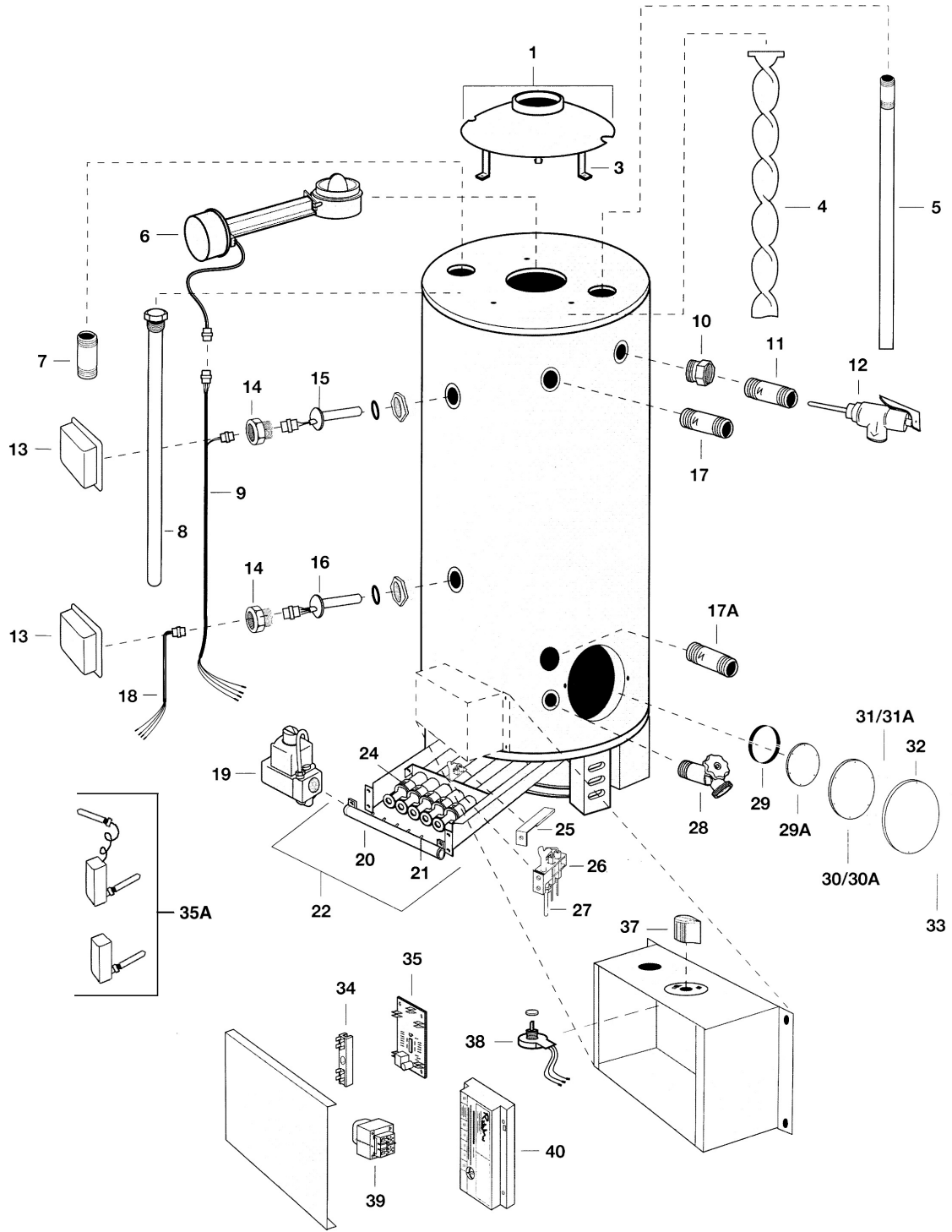


**PARTS DEPOT**

Nashville, Tennessee  
 615-889-8900 • Fax: 615-547-1000  
 www.Lochinvar.com

**Replacement Parts List**

**Commercial Gas Charger Series  
 Models CNR/CLR  
 125-075-DF9 thru 501-080-DF9**



ITEM NO.	PART NO.	DESCRIPTION	MODEL NO.
1	DRH1022	DRAFT DIVERTER 5"	125-075
1	DRH1023	DRAFT DIVERTER 6"	150-075
1	DRH1024	DRAFT DIVERTER 6"	145-035 THRU 251-100
1	DRH1025	DRAFT DIVERTER 8"	300-075 THRU 401-080
1	DRH1026	DRAFT DIVERTER 10"	500-080 & 501-080
3	DRH1027	DRAFT DIVERTER LEG KIT	ALL
4	-	Consult Factory	ALL
5	-	Consult Factory	ALL
6	FLD1016	FLUE DAMPER 6"	125-075-DF9 THRU 251-100-DF9
6	FLD1018	FLUE DAMPER 8"	300-075-DF9 THRU 401-080-DF9
6	FLD1019	FLUE DAMPER 10"	501-080-DF9
7	WTR1080	NIPPLE, HOT WTR OUTLET	125-075, 160-075 TO 200-080, 200-100, 250-100
7	WTR1081	NIPPLE, HOT WTR OUTLET	200-100 & 300-075
8	WTR1085	ANODE, MAG ROD	125-075,160-075 THRU 501-080
8	WTR1086	ANODE, MAG ROD	155-035
9	WRE1050	WIRE HARNESS, ONE SENSOR	125-075-DF9 THRU 160-075-DF9
10	GLV2816	BUSHING, 1" TO 3/4" REDUCER	145-035, 199-100, 200-080, 200-100
11	BKP2943	NIPPLE, 3/4" X 3"	125-075-DF9 THRU 200-080-DF9
11	GLV2849	NIPPLE, 1" X 3"	250-080-DF9 THRU 501-080-DF9
12	RLV1014	TEMPERATURE & PRESSURE RELIEF VALVE 3/4"	125-075-DF9 THRU 200-080-DF9
12	RLV1015	TEMPERATURE & PRESSURE RELIEF VALVE 1"	250-080-DF9 THRU 501-080-DF9
13	JKT1200	SENSOR COVER	ALL
15	TST1187	UPPER SENSOR*	180-080-DF9 THRU 501-080-DF9
16	TST1188	LOWER SENSOR*	ALL
17	GLV2856	NIPPLE, SIDE WATER CONNECTIONS 1-1/2" X 4"	ALL
18	WRE1051	WIRE HARNESS, TWO SENSOR	180-080-DF9 THRU 501-080-DF9
19	VAL1041	VALVE, NATURAL GAS DF9	125-075-DF9 THRU 301-075-DF9
19	VAL1063	VALVE, NATURAL GAS DF9	370-065-DF9 THRU 501-080-DF9
19	VAL1065	VALVE, LP GAS, DF9 3/4"***	125-075-DF9 THRU 401-080-DF9
19	VAL1067	VALVE, DUAL LP GAS 3/4"***	CLR(A)500-80-DF9
19	VAL2916	VALVE, LP GAS, 1"***	400(1)-080-DF9 THRU 500(1)-080-DF9
20	MAN1021-3	MANIFOLD, THREE ORIFICE BURNER	125-075-DF9
20	MAN1021-5	MANIFOLD, FIVE ORIFICE BURNER	145-035-DF9 THRU 251-075-DF9
20	MAN1021-7	MANIFOLD, SEVEN ORIFICE BURNER	300-075-DF9 THRU 371-065-DF9
20	MAN1021-9	MANIFOLD, NINE ORIFICE BURNER	400-080-DF9 THRU 501-080-DF9
21	ORF1020-1/16	ORIFICE, MAIN BURNER (#1/16)(5 EACH)	CLR145-035-DF9
21	ORF1020-42	ORIFICE, MAIN BURNER (#42)(5 EACH)	CNR145-035-DF9
21	ORF1020-40	ORIFICE, MAIN BURNER (#40)(5 EACH)	CNR155-035-DF9
21	ORF1020-52	ORIFICE, MAIN BURNER (#52)(5 EACH)	CLR155-035-DF9
21	ORF1020-33	ORIFICE, MAIN BURNER (#33)(3 EACH)	CNR125-075-DF9
21	ORF1020-48	ORIFICE, MAIN BURNER (#48)(3 EACH)	CLR125-075-DF9
21	ORF1020-39	ORIFICE, MAIN BURNER (#39)(5 EACH)	CNR160-075-DF9
21	ORF1020-52	ORIFICE, MAIN BURNER (#52)(5 EACH)	CLR160-075-DF9
21	ORF1020-37	ORIFICE, MAIN BURNER (#37)(5 EACH)	CNR180-080-DF9
21	ORF1020-50	ORIFICE, MAIN BURNER (#50)(5 EACH)	CLR180-080-DF9
21	ORF1020-35	ORIFICE, MAIN BURNER (#35)(5 EACH)	CNR199-100, 200-080, 200-100-DF9
21	ORF1020-49	ORIFICE, MAIN BURNER (#49)(5 EACH)	CLR199-100, 200-080, 200-100-DF9
21	ORF1020-31	ORIFICE, MAIN BURNER (#31)(5 EACH)	CNR(A)250(1)-DF9
21	ORF1020-46	ORIFICE, MAIN BURNER (#46)(5 EACH)	CLR(A)250(1)-DF9
21	ORF1020-32	ORIFICE, MAIN BURNER (#32)(7 EACH)	CNR(A)300(1)-075-DF9

\* denotes sensors used with TST1293 after serial NB

\*\* must verify 3/4" or 1" gas train connections

**Please provide model & serial number when ordering parts.**

ITEM NO.	PART NO.	DESCRIPTION	MODEL NO.
21	ORF1020-48	ORIFICE, MAIN BURNER (#48)(7 EACH)	CLR(A)300(1)-075-DF9
21	ORF1020-33	ORIFICE, MAIN BURNER (#33)(9 EACH)	CNR(A)370(1)-065-DF9
21	ORF1020-48	ORIFICE, MAIN BURNER (#48)(7 EACH)	CLR(A)370(1)-065-DF9
21	ORF1020-32	ORIFICE, MAIN BURNER (#32)(9 EACH)	CNR(A)400(1)-080-DF9
21	ORF1020-48	ORIFICE, MAIN BURNER (#48)(9 EACH)	CLR(A)400(1)-080-DF9
21	ORF1020-30	ORIFICE, MAIN BURNER (#30)(9 EACH)	CNR(A)500(1)-080-DF9
21	ORF1020-44	ORIFICE, MAIN BURNER (#44)(9 EACH)	CLR(A)500(1)-080-DF9
22	BNR1160	BURNER ASSEMBLY NAT.	CNR125-075-DF9
22	BNR1161	BURNER ASSEMBLY LPG.	CLR125-075-DF9
22	BNR1168	BURNER ASSEMBLY NAT.	CNR155-035-DF9
22	BNR1169	BURNER ASSEMBLY LPG.	CLR155-035-DF9
22	BNR1183	BURNER ASSEMBLY NAT.	CNR160-075-DF9
22	BNR1184	BURNER ASSEMBLY LPG.	CLR160-075-DF9
22	BNR1263	BURNER ASSEMBLY NAT.	CNR180-080-DF9
22	BNR1264	BURNER ASSEMBLY LPG.	CLR180-080-DF9
22	BNR1144	BURNER ASSEMBLY NAT.	CNR199-100
22	BNR1145	BURNER ASSEMBLY NAT.	CNR199-100-DF9
22	BNR1146	BURNER ASSEMBLY LPG.	CLR199-100
22	BNR1147	BURNER ASSEMBLY LPG.	CLR199-100-DF9
22	BNR1156	BURNER ASSEMBLY NAT.	CNR200-100-DF9
22	BNR1157	BURNER ASSEMBLY LPG.	CLR200-100-DF9
22	BNR1185	BURNER ASSEMBLY NAT.	CNR(A)250(1)-DF9
22	BNR1158	BURNER ASSEMBLY NAT.	CNR(A)300(1)-075-DF9
22	BNR1159	BURNER ASSEMBLY LPG.	CLR(A)300(1)-075-DF9
22	BNR1165	BURNER ASSEMBLY NAT.	CNR(A)370(1)-065-DF9
22	BNR1166	BURNER ASSEMBLY LPG.	CLR(A)370(1)-065-DF9
22	BNR1148	BURNER ASSEMBLY NAT.	CNR400-080
22	BNR1149	BURNER ASSEMBLY NAT.	CNR(A)400(1)-080-DF9
22	BNR1150	BURNER ASSEMBLY LPG.	CLR400-080
22	BNR1151	BURNER ASSEMBLY LPG.	CLR(A)400(1)-080-DF9
22	BNR1152	BURNER ASSEMBLY NAT.	CNR(A)500(1)-080-DF9
24	BNR1059	MAIN BURNER	ALL
25	JKT3003	FLAME GUARD	ALL
26	PLT1140	PILOT ASSEMBLY NAT.	ALL
26	PLT1121	PILOT ASSEMBLY LPG.	ALL
27	MSC2933	ALUMUNIN PILOT TUBING`	ALL
28	DRV2508	BRASS DRAIN VALVE	ALL
29	GKT1010	GASKET, 4" X 6" HANDHOLE NON-ASME	CNR125-075 THRU 500-080-DF9
29	GKT2101	GASKET, 4" X 6" HANDHOLE ASME	CNA251-080 THRU 501-080-DF9
30	WTR1016	PLATE HANDHOLE COVER NON-ASME	CNR125-075 THRU 500-080-DF9
30	WTR1039	PLATE HANDHOLE COVER ASME	CNA251-080 THRU 501-080-DF9
31	BLT1040	BOLT FOR HANDHOLE	ALL
32	WTR1101	HANDHOLE CLEAN OUT COVERPLATE	ALL
33	BLT1041	BOLT FOR HANDHOLE COVER	ALL
34	BLK1040	TERMINAL BLOCK ESB1-4-4	ALL
35	TST1293	SINGLE SENSOR STAT BOARD KIT (after serial NB)	125-075-DF9 THRU 160-075-DF9
35	TST1294	DUAL SENSOR STAT BOARD KIT (after serial NB)	199-100-DF9 THRU 501-080-DF9
35	TST1089	SINGLE SENSOR THERMOSTAT (before serial NB)	125-075-DF9 THRU 160-075-DF9
35	TST1084	DUEL SENSOR THERMOSTAT (before serial NB)	199-100-DF9 THRU 501-080-DF9
37	TST1096	KNOB FOR POTENTIOMETER	ALL
38	TST1091	POTENTIOMETER W/ GASKET	ALL
39	TRF1038	TRANSFORMER	ALL
40	RLY1131	IGNITION CONTROL	ALL

Please provide model & serial number when ordering parts.



## Free Manuals Download Website

<http://myh66.com>

<http://usermanuals.us>

<http://www.somanuals.com>

<http://www.4manuals.cc>

<http://www.manual-lib.com>

<http://www.404manual.com>

<http://www.luxmanual.com>

<http://aubethermostatmanual.com>

Golf course search by state

<http://golfingnear.com>

Email search by domain

<http://emailbydomain.com>

Auto manuals search

<http://auto.somanuals.com>

TV manuals search

<http://tv.somanuals.com>