



PUMP Recommendation

PUMP-Rec-12 Rev B

PUMP RECOMMENDATION FOR INTELLI-FIN 1500-2000 WATER HEATER

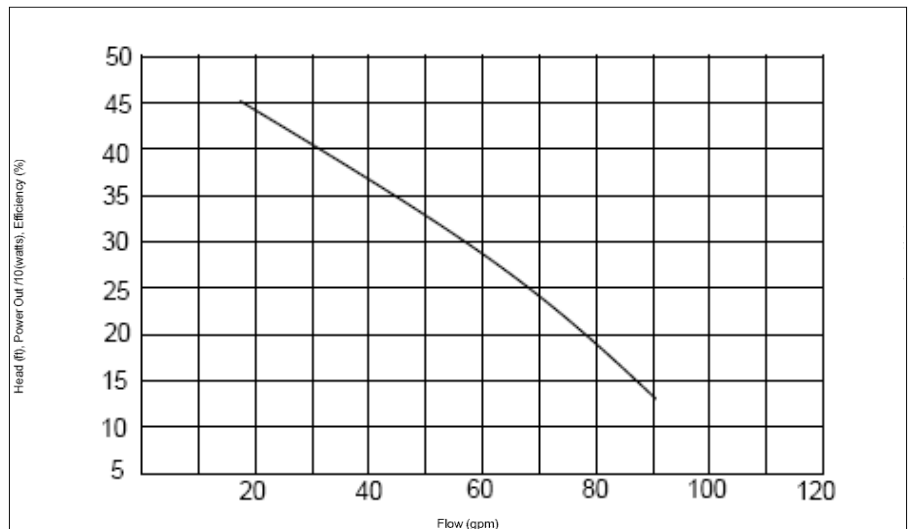
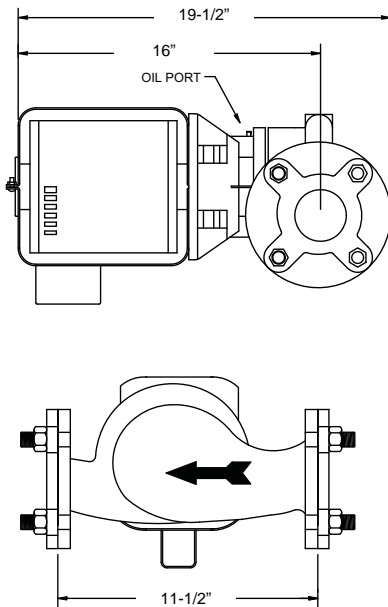
Pump Specifications

Part No.	HorsePower	Flanges	Valute Material	Flange Material	Vendor	Vendor Product Series	Orientation
ARM3072PAB	3/4	2-1/2"	Bronze	Bronze	Armstrong	2B1060	Vertical

Installation Specifications

Pump	Recommended for Model Numbers	Maximum GPM	Based on Installation Type
ARM3072PAB	Intelli-fin Wtr Htr, IW(N,L) 1500-2000	90 GPM	Single Water Heater piped to a Single Storage Tank
	Based on Minimum Pipe Diameter	Based on Connecting piping	
	2-1/2"	Maximum 45 feet straight pipe with 6-Elbows, 2-Unions, 2-Ball Valves and 1-Cold Water Inlet Tee	

IMPORTANT: Read the Intelli-fin 1500-2000 Installation and Operation Manual. If the planned system exceeds the pump capacity in flow and/or head see "Pump Curves-All Pumps" for alternate pumps and pump curves.



Lochinvar Corporation • 300 Maddox Simpson Pkwy • Lebanon, TN 37090 • 615-889-8900/Fax: 615-547-1000

www.Lochinvar.com

Free Manuals Download Website

<http://myh66.com>

<http://usermanuals.us>

<http://www.somanuals.com>

<http://www.4manuals.cc>

<http://www.manual-lib.com>

<http://www.404manual.com>

<http://www.luxmanual.com>

<http://aubethermostatmanual.com>

Golf course search by state

<http://golfingnear.com>

Email search by domain

<http://emailbydomain.com>

Auto manuals search

<http://auto.somanuals.com>

TV manuals search

<http://tv.somanuals.com>