



**Lochinvar**<sup>®</sup>  
High Efficiency Water Heaters, Boilers and Pool Heaters

**PUMP  
Recommendation**

**PUMP-Rec-05 Rev B**

**PUMP RECOMMENDATION FOR  
COPPER-FIN 0495-0745 WATER HEATER**

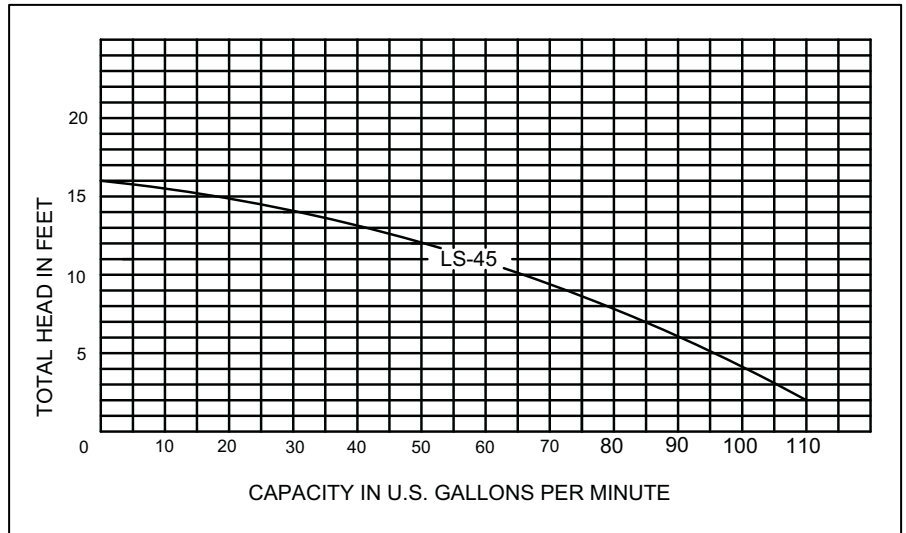
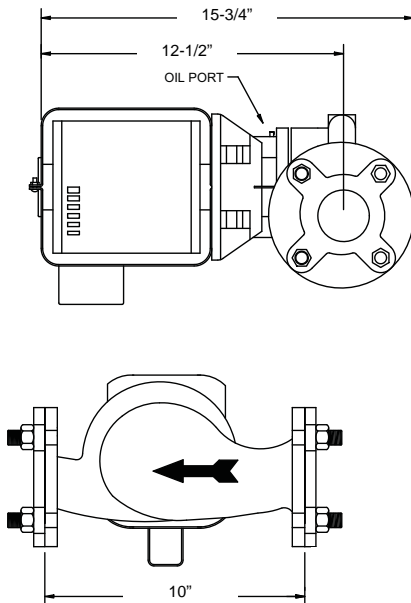
**Pump Specifications**

Part No.	HorsePower	Flanges	Valute Material	Flange Material	Vendor	Vendor Product Series	Orientation
ARM3044PAB	1/4	2"	Bronze	Bronze	Armstrong	LS45	Horizontal

**Installation Specifications**

Pump	Recommended for Model Numbers	Maximum GPM	Based on Installation Type
ARM3044PAB	Copper-Fin Wtr Htr, CW(N,L) 0495-0745	55 GPM	Single Water Heater piped to Single Storage Tank
	<b>Based on Minimum Pipe Diameter</b> 2"	<b>Based on Connecting piping</b> Maximum 45 feet straight pipe with 6-Elbows, 2-Unions, 2-Ball Valves and 1-Cold Water Inlet Tee	

**IMPORTANT:** Read the Copper-fin 495-2065 Installation and Operation Manual. If the planned system exceeds the pump capacity in flow and/or head see "Pump Curves-All Pumps" for alternate pumps and pump curves.



**Lochinvar**<sup>®</sup>  
High Efficiency Water Heaters, Boilers and Pool Heaters

Lochinvar Corporation • 300 Maddox Simpson Pkwy • Lebanon, TN 37090 • 615-889-8900/Fax: 615-547-1000

[www.Lochinvar.com](http://www.Lochinvar.com)



**Lochinvar**<sup>®</sup>  
High Efficiency Water Heaters, Boilers and Pool Heaters

**PUMP  
Recommendation**

**PUMP-Rec-05**

**PUMP RECOMMENDATION FOR  
COPPER-FIN 0986-2066 WATER HEATER**

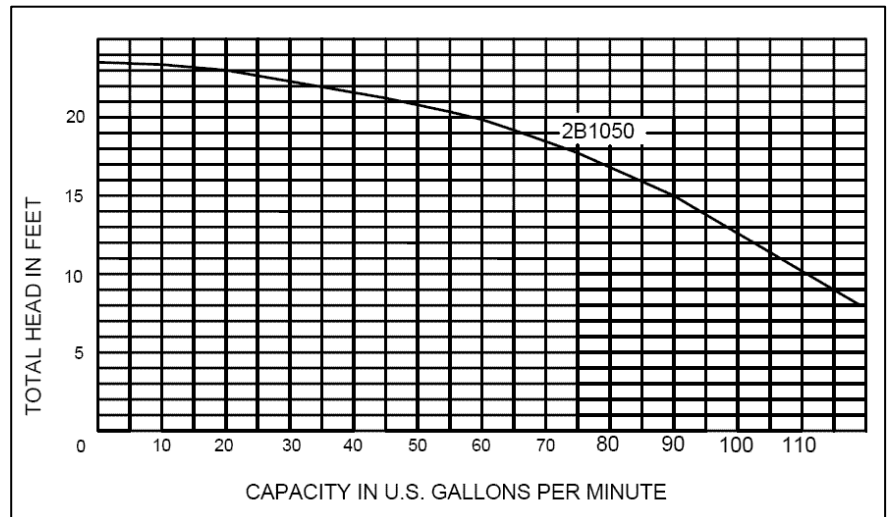
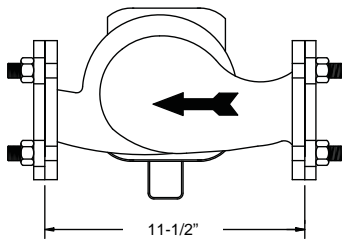
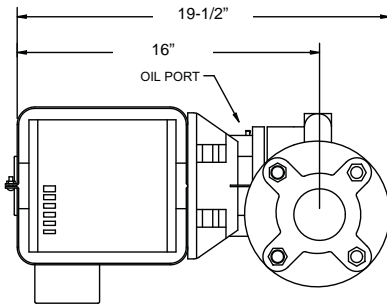
**Pump Specifications**

Part No.	HorsePower	Flanges	Valute Material	Flange Material	Vendor	Vendor Product Series	Orientation
ARM3024PAB	1/2	2-1/2"	Brass	Brass	Armstrong	2B1050	Horizontal

**Installation Specifications**

Pump	Recommended for Model Numbers	Maximum GPM	Based on Installation Type
ARM3024PAB	Copper-Fin Wtr Htr, CW(N,L) 0986-2066	90 GPM	Single Water Heater piped to Single Storage Tank
	Based on Minimum Pipe Diameter	Based on Connecting piping	
	2-1/2"	Maximum 45 feet straight pipe with 6-Elbows, 2-Unions, 2-Ball Valves and 1-Cold Water Inlet Tee	

**IMPORTANT:** Read the Copper-fin 495-2065 Installation and Operation Manual. If the planned system exceeds the pump capacity in flow and/or head see "Pump-REC-All Pumps" for alternate pumps and pump curves.



**Lochinvar**<sup>®</sup>  
High Efficiency Water Heaters, Boilers and Pool Heaters

Lochinvar Corporation • 300 Maddox Simpson Pkwy • Lebanon, TN 37090 • 615-889-8900/Fax: 615-547-1000

[www.Lochinvar.com](http://www.Lochinvar.com)

## Free Manuals Download Website

<http://myh66.com>

<http://usermanuals.us>

<http://www.somanuals.com>

<http://www.4manuals.cc>

<http://www.manual-lib.com>

<http://www.404manual.com>

<http://www.luxmanual.com>

<http://aubethermostatmanual.com>

Golf course search by state

<http://golfingnear.com>

Email search by domain

<http://emailbydomain.com>

Auto manuals search

<http://auto.somanuals.com>

TV manuals search

<http://tv.somanuals.com>