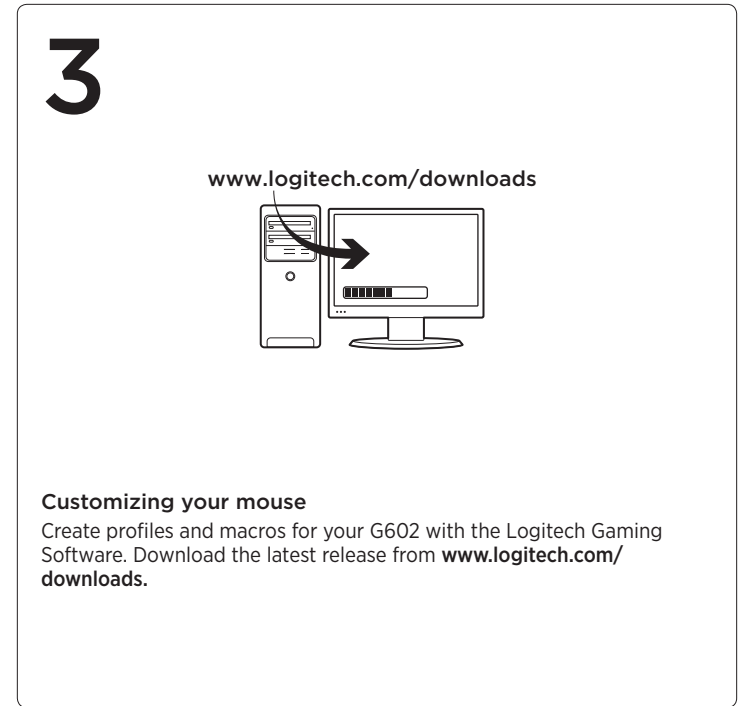
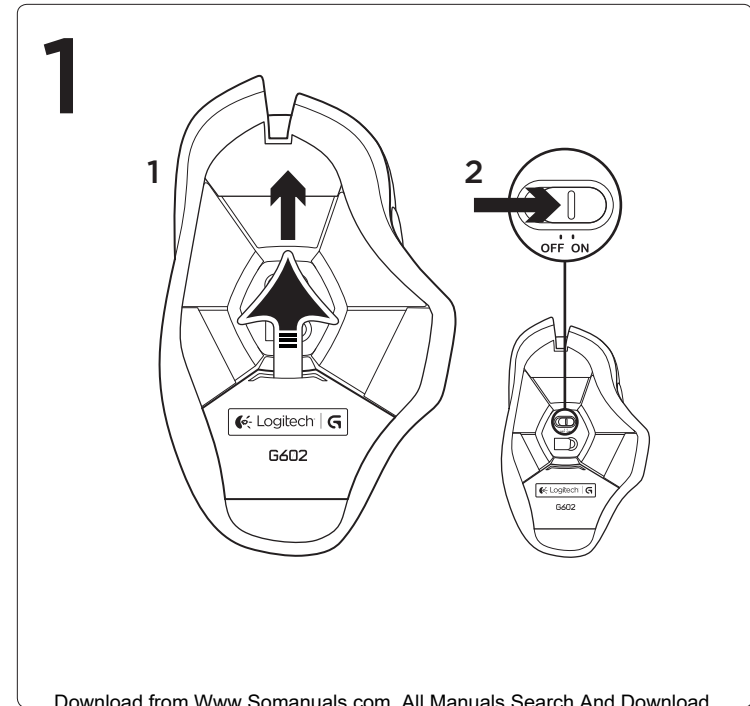
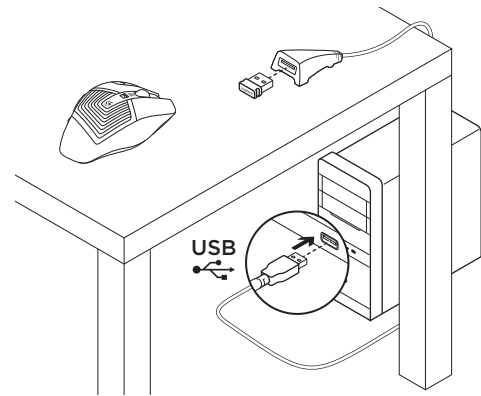




# Logitech® G602 Wireless Gaming Mouse Setup Guide



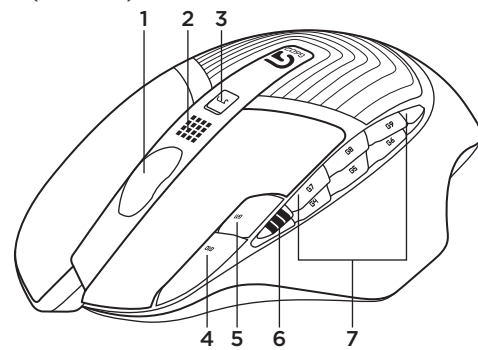
# 4



### Using the extension cable

You can also plug the receiver extension cable into your computer in order to place the receiver close to your G602.

### Features (default)



- |                                       |                                   |
|---------------------------------------|-----------------------------------|
| 1. Wheel                              | 6. DPI display                    |
| 2. Battery/mode indicator             | 7. Programmable keys (in default) |
| 3. Performance/Endurance mode switch: | G4 = Forward                      |
| Blue light for performance mode       | G5 = Backward                     |
| Green light for endurance mode        | G6 = Battery level check          |
| 4. G10 = DPI+                         | G7 = 1                            |
| 5. G11 = DPI-                         | G8 = 2                            |
|                                       | G9 = 3                            |

Download from [www.Somanuals.com](http://www.Somanuals.com). All Manuals Search And Download.

### Troubleshooting

#### No pointer movement?

- Make sure the power switch is on the ON position.
- Verify that the batteries still have available power and that they are inserted in the proper direction.
- Restart your computer.
- Should you need to pair your G602 to the gaming receiver, download the Logitech Connect Utility from [www/logitech.com/downloads](http://www/logitech.com/downloads).

#### Erratic pointer movement or missed button clicks?

- Remove metallic objects between the G602 and the gaming receiver.
- If the receiver is plugged into a USB hub, try plugging it directly into the computer instead.
- Move the receiver closer to the G602 by using the included receiver extension cable.
- Try tracking on a different surface. Highly-reflective or transparent surfaces, like glass, do not deliver good tracking results.

[www.logitech.com/support/g602](http://www.logitech.com/support/g602)



United States +1 646-454-3200

What do you think?

Please take a minute to tell us.  
Thank you for purchasing our product.

[www.logitech.com/ithink](http://www.logitech.com/ithink)

## Free Manuals Download Website

<http://myh66.com>

<http://usermanuals.us>

<http://www.somanuals.com>

<http://www.4manuals.cc>

<http://www.manual-lib.com>

<http://www.404manual.com>

<http://www.luxmanual.com>

<http://aubethermostatmanual.com>

Golf course search by state

<http://golfingnear.com>

Email search by domain

<http://emailbydomain.com>

Auto manuals search

<http://auto.somanuals.com>

TV manuals search

<http://tv.somanuals.com>