



Leyden Pellet Stove



- *Horizontal Or Vertical Vent*
- *Freestanding Stove*
- *Mobile Home Approved*
- *Class A Chimney Retrofit*
- *Hearth Stove into Existing Masonry Chimney , Masonry Fireplace, or Z.C. Fireplace*

Tested and Listed by



Omni-Test Laboratories, Inc.
Beaverton, Oregon
Report # 028-S-77-2
ASTM E1509-2004

- **Please read this entire manual before installation and use of this pellet fuel-burning room heater. Failure to follow these instructions could result in property damage, bodily injury, or even death.**
- **Contact local building or fire officials about restrictions and installation inspection requirements in your area.**
- **Save these instructions.**

Installer: After installation give this manual to the home-owner and explain operation of this stove.

\$10.00

© Copyright 2007, T.I.

Part # 100-01184

4061016



**TRAVIS INDUSTRIES
HOUSE OF FIRE**

4800 Harbour Pointe Blvd. SW
Mukilteo, WA 98275

Introduction

Congratulations!

You have just purchased one of the finest hearth products on the market.

Lopi heating appliances are solidly crafted and uniquely designed for the American lifestyle and proudly built in the U.S.A.

Lopi wood, gas and pellet stoves, fireplaces and inserts have been America's Favorite Fire for over twenty-five years. Our reputation for solid craftsmanship, reliable performance and unbeatable heating efficiency has been a winning combination year after year, and the favorite fire of families across the nation.

Whichever Lopi product you've purchased, we're sure it will warm your home and brighten your day, for many years to come.

If you have any questions, concerns, or comments, please contact your local Lopi hearth design center. They are authorized, certified, and factory-trained hearth professionals and should always be consulted on the installation and operation of your Lopi hearth appliance for the best performance and highest satisfaction.

We also have one of the best warranties in the industry. It is our desire for you to be completely happy with your purchase.

For information on our many other Lopi products, visit your local Lopi Hearth Design center or log on to www.LopiFire.com.

For celebrations, gatherings or just everyday life, Lopi is America's Choice.

Enjoy!

Important Information

No other Leyden heater has the same serial number as yours. The serial number is on the safety label on the back of the appliance.

This serial number will be needed in case you require service of any type.

Model: Leyden PS

Serial Number: _____

Purchase Date: _____

Purchased From: _____



We suggest that our pellet hearth products be installed and serviced by professionals who are certified in the U.S. by the National Fireplace Institute® (NFI) as NFI Pellet Specialists or who are certified in Canada by Wood Energy Technical Training (WETT).



Mail your Warranty Card Today, and Save Your Bill of Sale.

To receive full warranty coverage, you will need to show evidence of the date you purchased your heater. Do not mail your Bill of Sale to us.

We suggest that you attach your Bill of Sale to this page so that you will have all the information you need in one place should the need for service or information occur.

Introduction

Introduction.....	2
Important Information.....	2

Safety Precautions

Safety Precautions.....	4
-------------------------	---

Specifications

Heating Specifications.....	6
Dimensions.....	6
Electrical Specifications.....	6
Fuel.....	6
EPA Compliance.....	6

Installation

Before You Begin.....	7
Packing List.....	7
Installation Options.....	7
Planning The Installation.....	7
Stove Placement.....	7
Floor Protection Requirements.....	7
Clearances - Straight Installation.....	8
Clearances - Corner Installation.....	8
Venting the Pellet Stove.....	9
Maximum Venting Distance.....	9
Pellet Vent Type.....	10
Installing the Pellet Vent.....	10
Pellet Vent Termination.....	10
Mobile Home Requirements.....	11
Outside Air (used for combustion).....	11
Alcove Installation Requirements.....	12
Baffle Installation.....	12
Door Seal Verification.....	12
Restrictor Adjustment.....	12
Thermostat Installation.....	13
Installation Example: Direct "Through-the-wall" Installation.....	14
Installation Example: Interior Vertical Installation.....	15
Installation Example: Class A Chimney Retrofit.....	16
Installation Example: Masonry FireplaceHearth Stove.....	17
Installation Example: Zero-Clearance (Metal) FireplaceHearth Stove.....	18
Installation Example: FreestandingMasonry Chimney.....	19

Operation

Safety Notice.....	20
Location of Controls.....	20
Starting the Heater for the First Time.....	20
Loading Pellets.....	21
The Two Modes of Operation.....	21

Operation (continued)

Manual Mode.....	22
Auto Mode.....	23
Restrictor Adjustment.....	24
Adjusting the Fan Speed.....	24
Start-Up Sequence.....	25
"MANUAL AUGER" Button.....	25
"AUGER ON" Light.....	25
"FAULT" Light.....	25
Fault Codes (for qualified service personnel only).....	25
Power Outages.....	25
Using a Pellet/Corn Mix with This Heater.....	26

Maintenance

Daily Maintenance (whenever using the stove).....	27
Inspect the Burn.....	27
Make Sure Pellets are Not Piling Up.....	27
Check Firepot for Clinkers.....	28
Cleaning the Firepot.....	28
Door Opening.....	29
Bi-Weekly Maintenance (or every 10 bags of pellets).....	30
Flyash Removal.....	30
Clean the Hopper.....	30
Clean the Heat Exchange Tubes.....	30
Clean the Baffles.....	31
Sweep Ash Into Ashpan.....	32
Check Ashpan, Dispose if necessary.....	33
Clean the Glass.....	33
Yearly Maintenance (or every two tons).....	34
Clean the Vertical Exhaust Duct.....	34
Clean the Exhaust Blower.....	36
Clean the Convection Blower.....	37
Clean the Vent.....	37
Adjusting the Door Hinge and Latch.....	37
Check for Air Leaks Around the Door, Glass, and Ashpan.....	37
Replacement Parts.....	38

Normal Operating Sounds

Normal Operating Sounds.....	39
------------------------------	----

Safety Label

Safety Label.....	40
-------------------	----

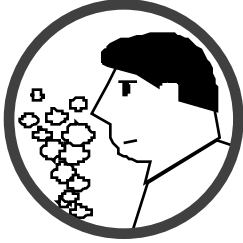
Warranty

Warranty.....	41
---------------	----

Index

Index.....	42
------------	----

Safety Precautions



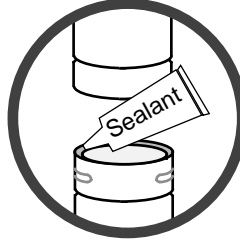
- Do not operate the heater if you smell smoke coming from the heater. Turn the MODE switch to "OFF", monitor your heater, and call your dealer.



- Contact your local building officials to obtain a permit and information on any installation restrictions or inspection requirements in your area. Notify your insurance company of this heater as well.



- Never use gasoline, gasoline-type lantern fuel, kerosene, charcoal lighter fluid, or similar liquids to start or 'freshen up' a fire in this heater. Keep all such liquids well away from the heater while it is in use.



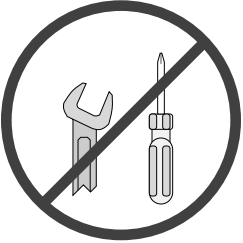
- The exhaust system **must** be completely airtight and properly installed. The pellet vent joints must be sealed with RTV 500° F. (260° C.) silicone sealant.



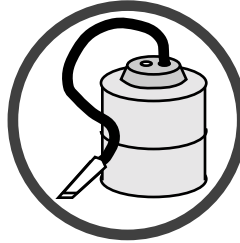
- Do not unplug the heater if you suspect a malfunction. Turn the MODE SWITCH to "OFF" and periodically inspect the heater.



- This unit must be properly installed to prevent the possibility of a house fire. The instructions must be strictly adhered to. Do not use makeshift methods or compromise in the installation.



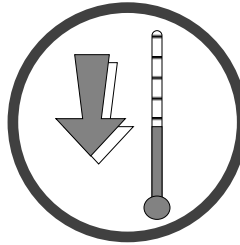
- Never try to repair or replace any part of the heater unless instructions are given in this manual. All other work should be done by a trained technician.



- Your heater requires periodic maintenance and cleaning (see "Maintaining Your Heater"). Failure to maintain your heater may lead to smoke spillage in your home.



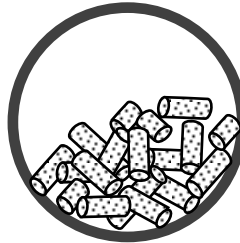
- The viewing door and ashpan must be closed and latched during operation.
- Never block free airflow through the open vents of the unit.



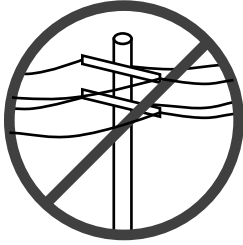
- Allow the heater to cool before carrying out any maintenance or cleaning. Ashes must be disposed in a metal container with a tight lid and placed on a non-combustible surface well away from the home or structure.



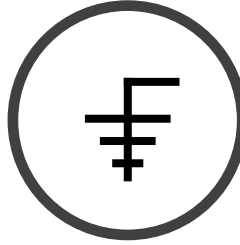
- Do not operate the heater if the flame becomes dark & sooty or if the firepot overfills with pellets. Turn the MODE SWITCH to "OFF" and periodically inspect the heater (see "Running Your Heater").



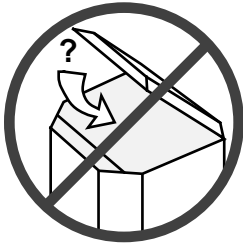
- This heater is designed and approved for pelletized wood fuel or a mixture up to 50% corn, 50% pellets. See page 26 for details on using a corn pellet mix.



- The heater will not operate during a power outage. If a power outage does occur, check the heater for smoke spillage and open a window if any smoke spills into the room.



- This heater must be connected to a standard 115 V., 60 Hz grounded electrical outlet. Do not use an adapter plug or sever the grounding plug. Do not route the electrical cord underneath, in front of, or over the heater.



- Keep foreign objects out of the hopper.



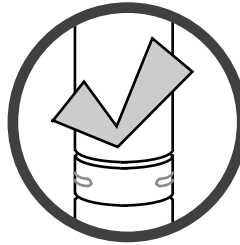
- When installed in a mobile home, the heater must be bolted to the floor, have outside air, and **NOT BE INSTALLED IN THE BEDROOM** (Per H.U.D. requirements). Check with local building officials.



- Disconnect the power cord before performing any maintenance.

NOTE:

Turning the Mode Switch to "OFF" does not disconnect all power to the heater.



- The exhaust system should be checked twice a year minimum for any build-up of soot or creosote.



- Do not throw this manual away. This manual has important operating and maintenance instructions that you will need at a later time. Always follow the instructions in this manual.



- Do not touch the hot surfaces of the heater. Educate all children of the danger of a high-temperature heater. Young children should be supervised when they are in the same room as the heater.



- Do not place clothing or other flammable items on or near the heater. Because this heater can be controlled by a thermostat there is a possibility of the heater turning on and igniting any items placed on or near it.



- **Travis Industries, Inc. grants no warranty, implied or stated, for the installation or maintenance of your heater, and assumes no consequential damage(s).**

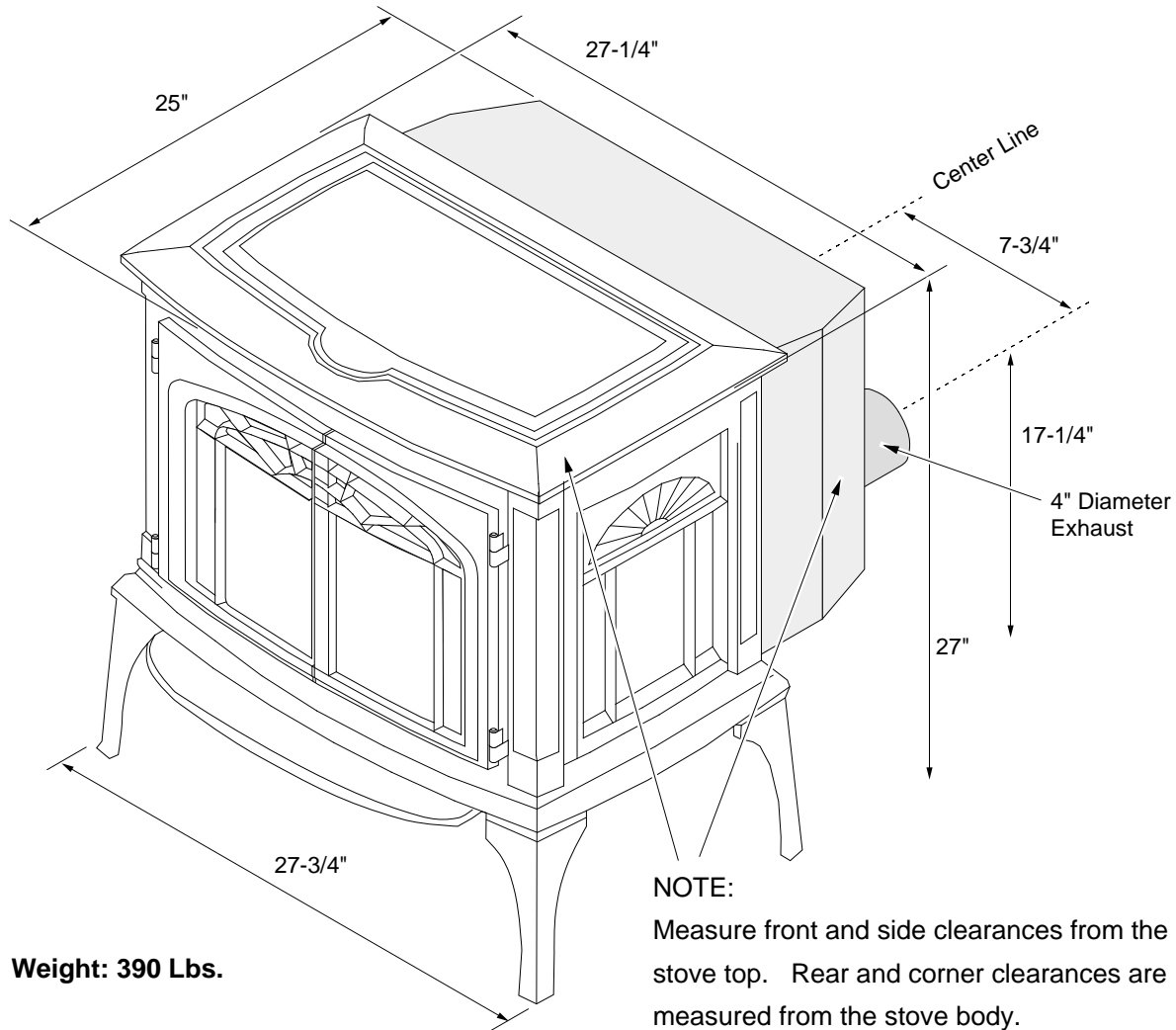
Heating Specifications

Approximate Maximum Heating Capacity (in square feet)*	800 to 2,250 Sq. Feet
Burn Rate (Pounds per Hour)**	1.7 to 5.5
Maximum Burn Time on Low Burn**	29 Hours
Hopper Capacity	50 Pounds

* Heating capacity will vary depending on the home's floor plan, degree of insulation, and the outside temperature. It is also affected by the fuel size, quality, and moisture level.

** Small pellets will increase or decrease the stated burn rates and burn times. Differences of plus or minus 20% depending on fuel quality may occur.

Dimensions



Electrical Specifications

Electrical Rating.....	115 Volts, 3.6 Amps, 60 Hz
Watts During Start-Up Sequence	400 (approximately)
Watts During Operation	180 (approximately)

Fuel

- This heater is designed and approved for pelletized wood fuel or a mixture up to 50% corn, 50% pellets. See page 26 for details on using a corn pellet mix.

EPA Compliance

This heater has been tested exempt from EPA Phase II Requirements by OMNI-Test Laboratories, Inc.

Before You Begin

READ THIS ENTIRE MANUAL BEFORE YOU INSTALL AND USE THIS HEATER. FAILURE TO FOLLOW THE INSTRUCTIONS MAY RESULT IN PROPERTY DAMAGE, BODILY INJURY, OR EVEN DEATH.

Check with local building officials for any permits required for installation of this pellet heater and notify your insurance company before proceeding with installation.

Packing List

- Thermostat & Wire
- Scraper Rod Tool
- Brush
- Spare Fuse
- Bottle Brush
- Door Tool
- (2) Floor Mounting Brackets

Installation Options

- Residential or Mobile Home (see the section "Mobile Home Requirements")
- Alcove Compatible (see the section "Alcove Installation")
- Horizontal or Vertical Vent
- Outside Air Compatible
- Vent with L-Vent, L-Vent Fireplace Liner, or Type A Chimney (with adapter)

Planning The Installation

- HINT: Have an authorized Travis Industries dealer install this heater. If you install the heater yourself, have your dealer review your installation plans.
- HINT: Sketch out a detailed plan of the installation including dimensions. Then verify the dimensions with the requirements listed in this manual.
- HINT: When determining the location of the stove, locate the wall studs (for horizontal penetrations) and ceiling trusses (for vertical penetrations). You may wish to adjust the stove position slightly to ensure the vent does not intersect with a framing member.
- HINT: Place the heater outside and load 10 pounds of pellets inside the hopper. Plug the heater in and let it run on HIGH until the pellets run out. This will cure the paint and burn off any oil on the steel, eliminating any smell inside the home.

Stove Placement

- Stove must be placed so that no combustibles are within, or can swing within (e.g. drapes, doors), 36" of the front of the heater.
 - If the stove is placed in a location where the ceiling height is less than 7', it must follow the requirements in the section "Alcove Installation Requirements".
- HINT: REDUCING CLEARANCES - Clearances may be reduced by methods specified in NFPA 211, listed wall shields, pipe shields, or other means approved by local building or fire officials.
- Heater and floor protection must be installed on a level, secure floor.

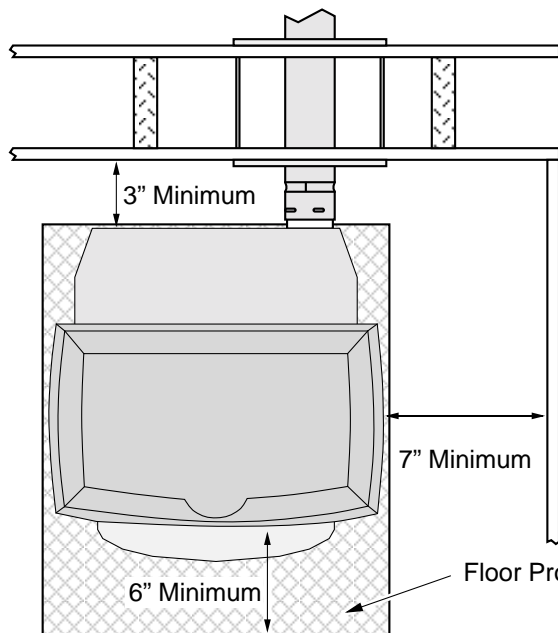
Floor Protection Requirements

- The heater must be installed on a non-combustible floor protector extending the full width and depth of the heater and extending 6" in front (minimum 27-3/4" wide by 31" deep) (minimum .018" thick - 26 gauge) .
- Must extend under and 2" to each side and rear of a "Tee" (if used).

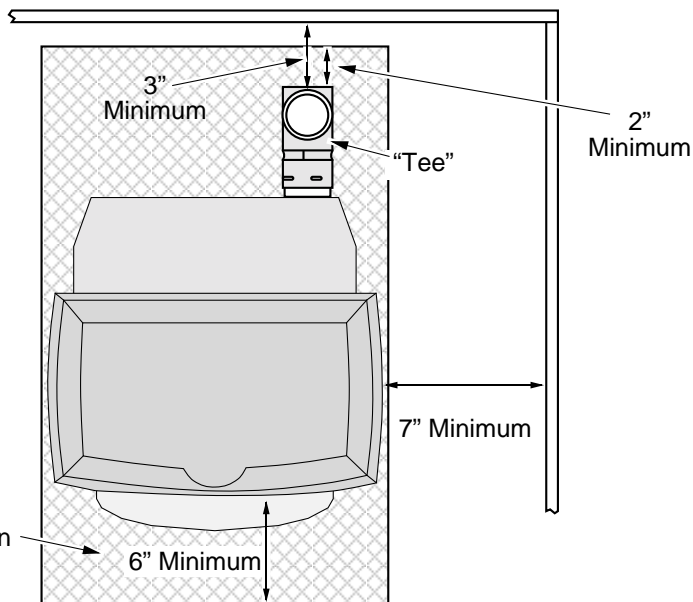
8 Installation (For Qualified Installers Only)

Clearances - Straight Installation

Through the Wall Installations

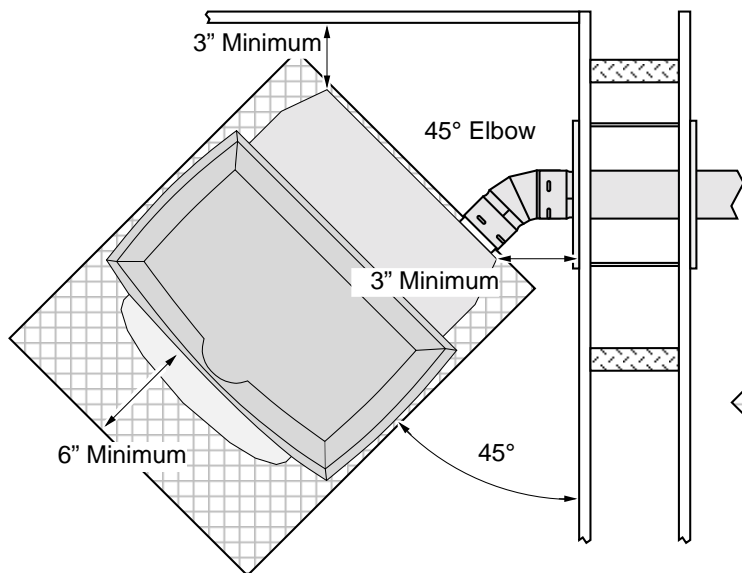


Interior Vertical Vents

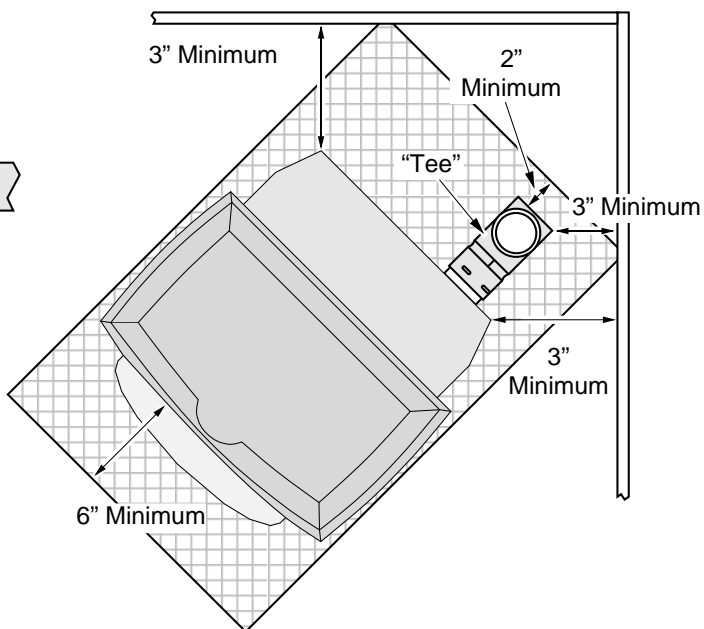


Clearances - Corner Installation

Through the Wall Vents



Interior Vertical Vents



Note: If interior vertical pellet vent is used, the clearance to the backwall is determined by the upward-turning elbow or "Tee". It will vary in depth depending on the brand of pellet vent used (it is approximately 5"). Before placing the heater, connect the elbow or "Tee" and measure off the 3" clearance.

Venting the Pellet Stove

- PELLET VENT MUST MAINTAIN A MINIMUM 3" CLEARANCE TO ANY COMBUSTIBLE (INSTALL VENT AT CLEARANCES SPECIFIED BY THE VENT MANUFACTURER).
- DO NOT CONNECT THE PELLET VENT TO A VENT SERVING ANY OTHER APPLIANCE OR STOVE.
- DO NOT INSTALL A FLUE DAMPER IN THE EXHAUST VENTING SYSTEM OF THIS UNIT.
- USE AN APPROVED WALL THIMBLE WHEN PASSING THE VENT THROUGH WALLS AND A CEILING SUPPORT/FIRE STOP SPACER WHEN PASSING THE VENT THROUGH CEILINGS (MAKE SURE TO MAINTAIN 3" CLEARANCE TO ANY COMBUSTIBLES).
- No more than one tee and 180° of elbows (one tee with two 90° elbows, one tee with one 90° and two 45° elbows, etc.).

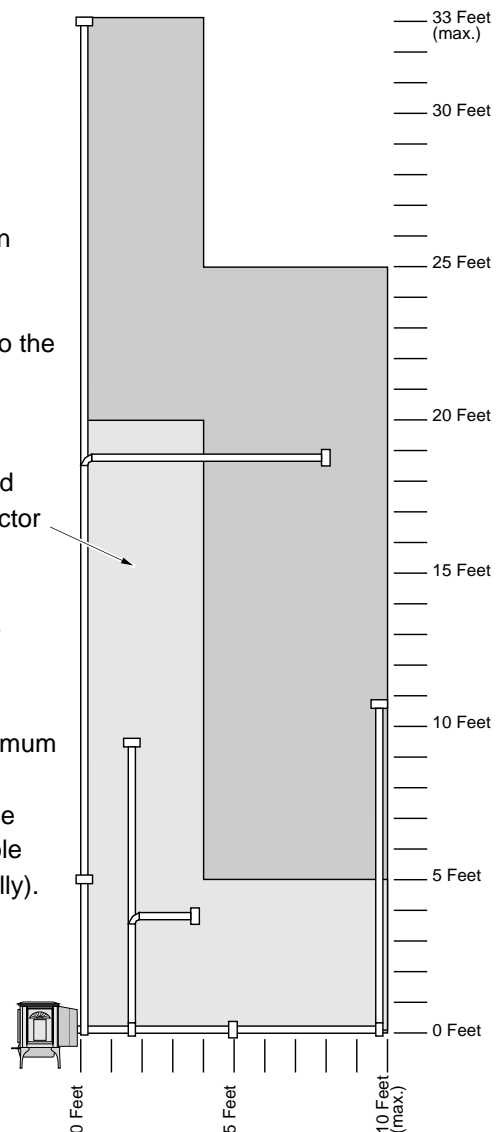
Maximum Venting Distance

- Vent must have a support bracket every 5' of pellet vent when exterior of structure

The vent height and run must not exceed the distance shown in the shaded region shown to the right.

Venting into this shaded area may require restrictor adjustments. See the section "Restrictor Adjustment" for details.

NOTE: To achieve optimum performance, we recommend keeping the vent as short as possible (horizontal run especially).

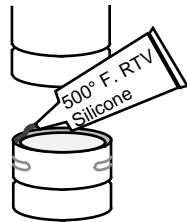


10 Installation (For Qualified Installers Only)

Pellet Vent Type

- Must be 4" diameter Type "L" (except for masonry fireplace installations) - or - connect the vent to a factory built type "A" chimney. All vent joints (including adapters, elbows, etc...) must be sealed with 500° F. RTV silicone.

Installing the Pellet Vent

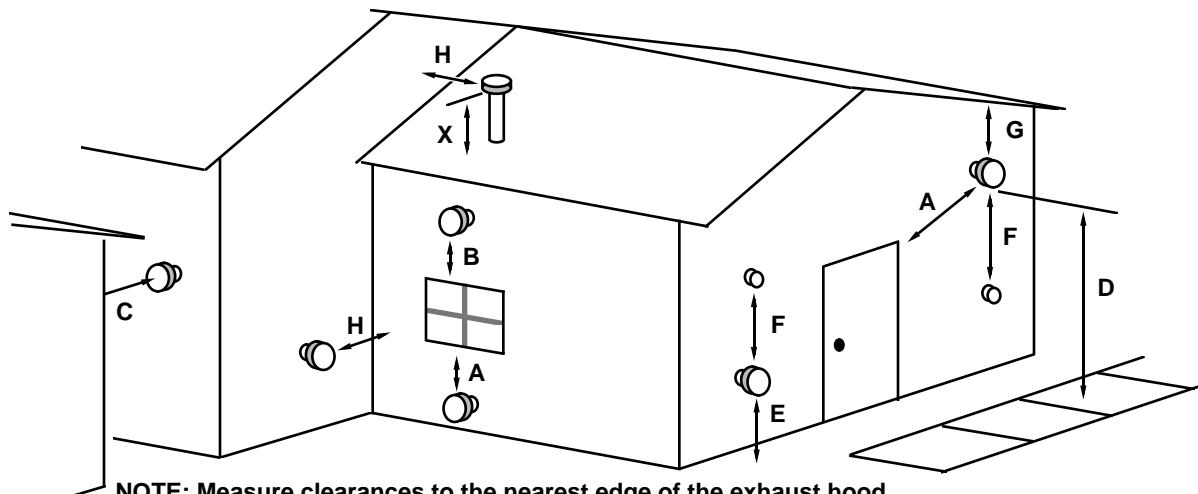


Seal each vent section (including adapters, elbows, etc...) by injecting a liberal amount of 500° F. RTV silicone into the gap between sections.

- Horizontal sections must have a 1/4" rise every 12" of travel.
- Pellet vent connections must be sealed airtight with 500° F. RTV silicone and screwed together with at least three sheet metal screws.

Pellet Vent Termination

- Vent must terminate on the exterior of the dwelling. Horizontal terminations must protrude a minimum 12" from the wall. Vertical terminations must protrude a minimum 24" from the roof surface. In addition, all clearances listed below must be met.
- Must have an approved cap (to prevent water from entering) or a 45° downturn with rodent screen.
- If the termination is located on a windy side of the house, an approved house shield is recommended to prevent soot from building up on the side of the house.
- Must not be located where it will become plugged by snow or other material.



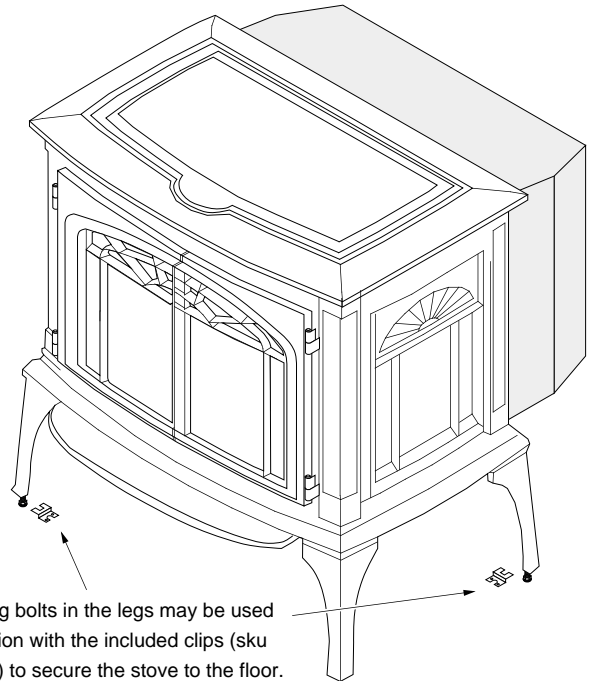
- A Minimum 4' clearance below or beside any door or window that opens
Minimum 1' clearance below or beside any window that does not open.
- B Minimum 1' clearance above any door or window that opens
- C Minimum 2' clearance from any adjacent building
- D Minimum 7' clearance above any grade when adjacent to public walkways
NOTE: Vent may not terminate in covered walkway or breezeway.
- E Minimum 2' clearance above any grass, plants, or other combustible materials
- F Minimum 3' clearance from any forced air intake of any other appliance
- G Minimum 2' clearance below eaves or overhangs
- H Minimum 1' clearance horizontally from combustible wall
- X Must be a minimum of 2' above the roof

Mobile Home Requirements

- Outside air is required (used for combustion) - see the directions below.
- The heater must be bolted to the floor (Some states do not require this; check with your local building department). See the illustration to the right.
- The heater must be grounded to the steel chassis of the mobile home (Some states do not require this; check with your local building department).

WARNING: DO NOT INSTALL IN SLEEPING ROOM.

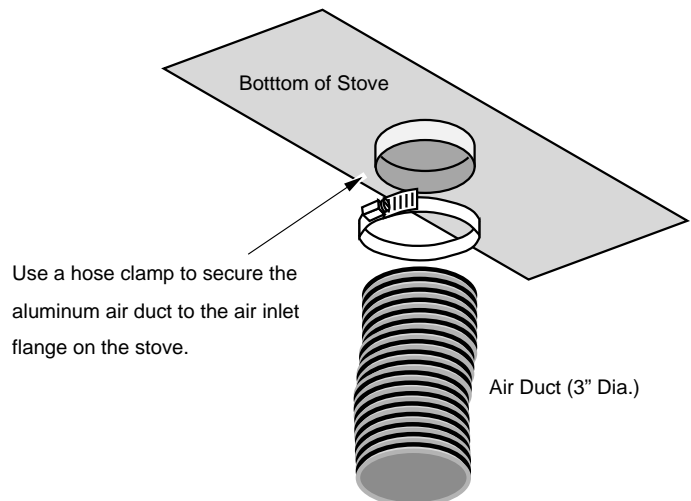
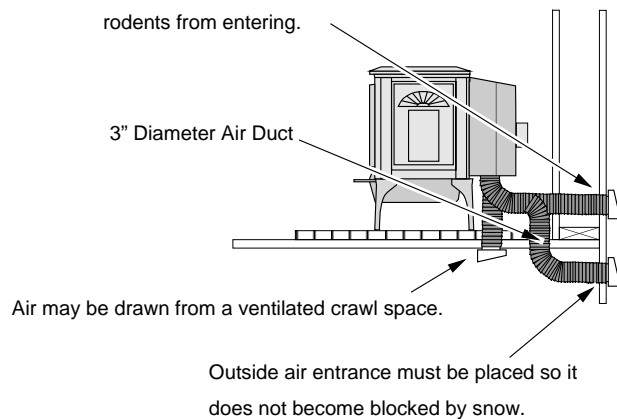
CAUTION: THE STRUCTURAL INTEGRITY OF THE MANUFACTURED HOME FLOOR, WALL, AND CEILING/ROOF MUST BE MAINTAINED.



Outside Air (used for combustion)

- Must not be drawn from an enclosed space (garage, unventilated crawl space).
- HINT: Travis Industries strongly suggests outside air for all residential installations, especially for those that are energy efficient, air-tight homes.
- Must not be over 15' long (the kit includes a 4' length – additional 3" diameter duct may be used).
 - Must be made with 3" diameter or larger metal or aluminum duct with a metal screen attached to the end to keep out rodents (P.V.C. or other combustible materials may not be used). We recommend the Travis Industries Outside Air Kit (part # 99200136).
 - Must not terminate above or within 1' of the chimney termination.
 - Must have a rain cap or down-turned elbow to prevent water from entering.
 - Must be located so that it will not become plugged by snow or other material.

A screen is required to prevent rodents from entering.



12 Installation (For Qualified Installers Only)

Alcove Installation Requirements

When the pellet stove is placed in a location where the ceiling height is less than 7' tall, it is considered an alcove installation. Because of the reduced height, the requirements listed below must be met.

- Minimum height is 55"
- Minimum width is 41-1/4"
- Maximum depth is 48"
- Minimum clearance of 7" on each side and 3" on back

Baffle Installation

Install the baffles included with the stove (see page 31 for details).

Door Seal Verification

The door is aligned prior to leaving the factory. However, shipping and installation may cause the door to become mis-aligned. Verify the door is correctly aligned and seals properly (see the section "Door Seal" under Yearly Maintenance).

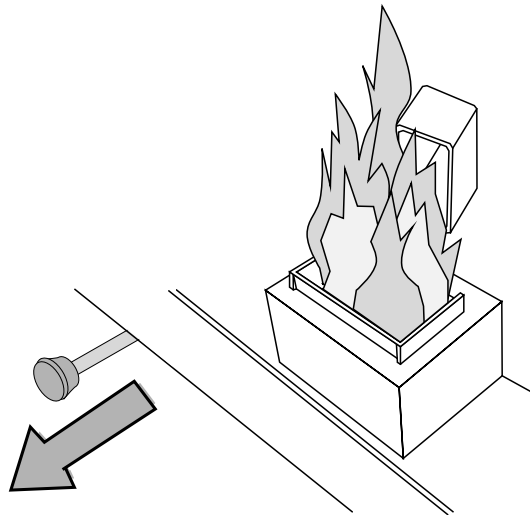
Restrictor Adjustment

The restrictor "fine tunes" your appliance, ensuring it pulls the correct amount of air through the firebox. Altitude, vent configuration, and other factors make restrictor adjustment necessary for every installation.

NOTE: the optimal restrictor position will vary over time as soot builds up inside the exhaust system – make sure the homeowner knows how to visually inspect the flame and adjust the restrictor.

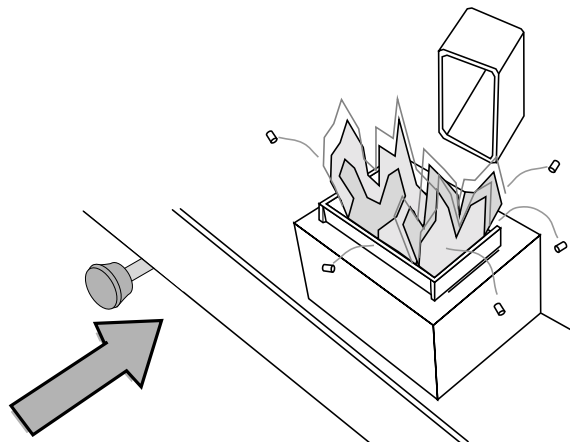
Not Enough Air

If clinkers (ashes that solidify into a clump) develop or the flame appears lazy and slow to blow the ash out of the firepot, pull the restrictor outward until the flame becomes active and the firepot holes remain clean. **NOTE:** If the restrictor is fully out, yet the firepot does not remain clean, the stove needs to be cleaned and checked for air leaks (see "Maintenance" section of this manual).



Too Much Air

If the flames are too active (small, flickering flames) or if burning pellets are expelled from the firepot, move the restrictor rod inwards until the flame slows down and no burning pellets are expelled. Another symptom of too much air is the heater "blowing the fire out" – a condition in which the pellets burn faster than they are fed (this is most common on low).

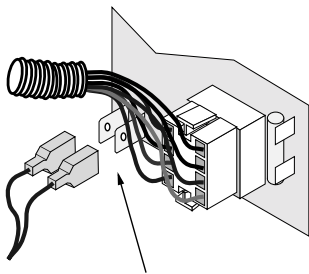


Thermostat Installation

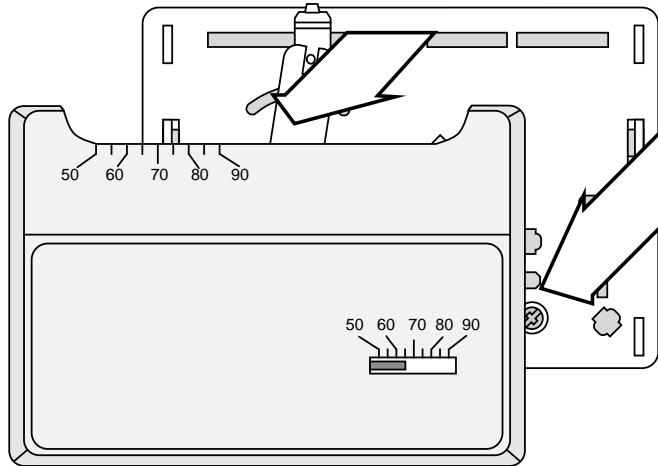
! Do not connect 120 VAC to the thermostat circuit of this heater (do not use a household thermostat used for a wall-board or other electrical heater).

A thermostat is included with this heater (part # 99300650). Follow the directions below to install.

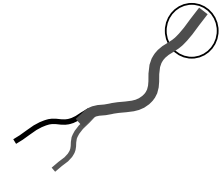
- 1 Attach the thermostat wire to the circuit board (see the illustration below). Route the wire through the back of the heater (away from any hot or moving components).



Attach the quick-connects to the two posts near the molex connector on the circuit board (orientation does not matter).

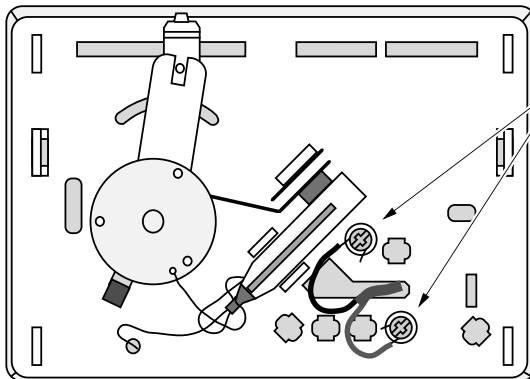


Pull the cover off the thermostat



Run the thermostat wires through the wall (cut off excess wire, leaving 6" of slack).

- 2 Determine a location for the thermostat that is within range of the 20' length of thermostat wire. It should be centralized in the room and away from the heater. The wire may be routed externally on the wall or behind the wall (preferred).

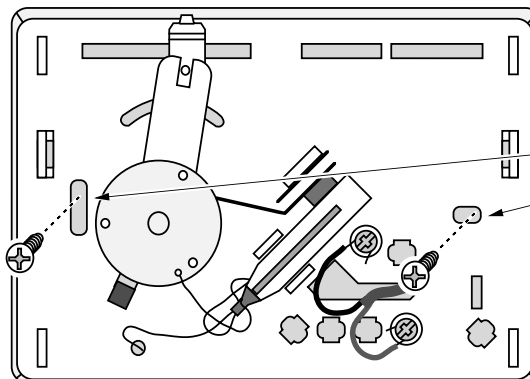


Expose 1/2" of wire and attach to these two posts.



Standard Screwdriver

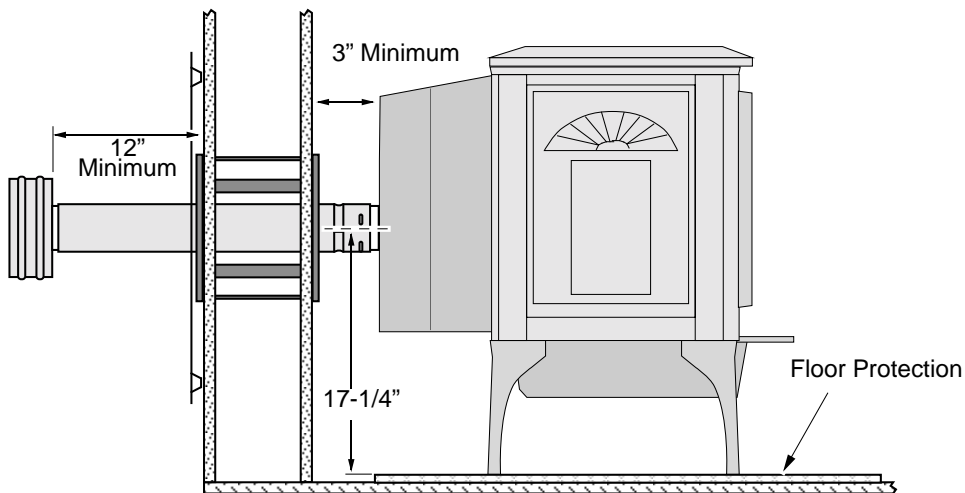
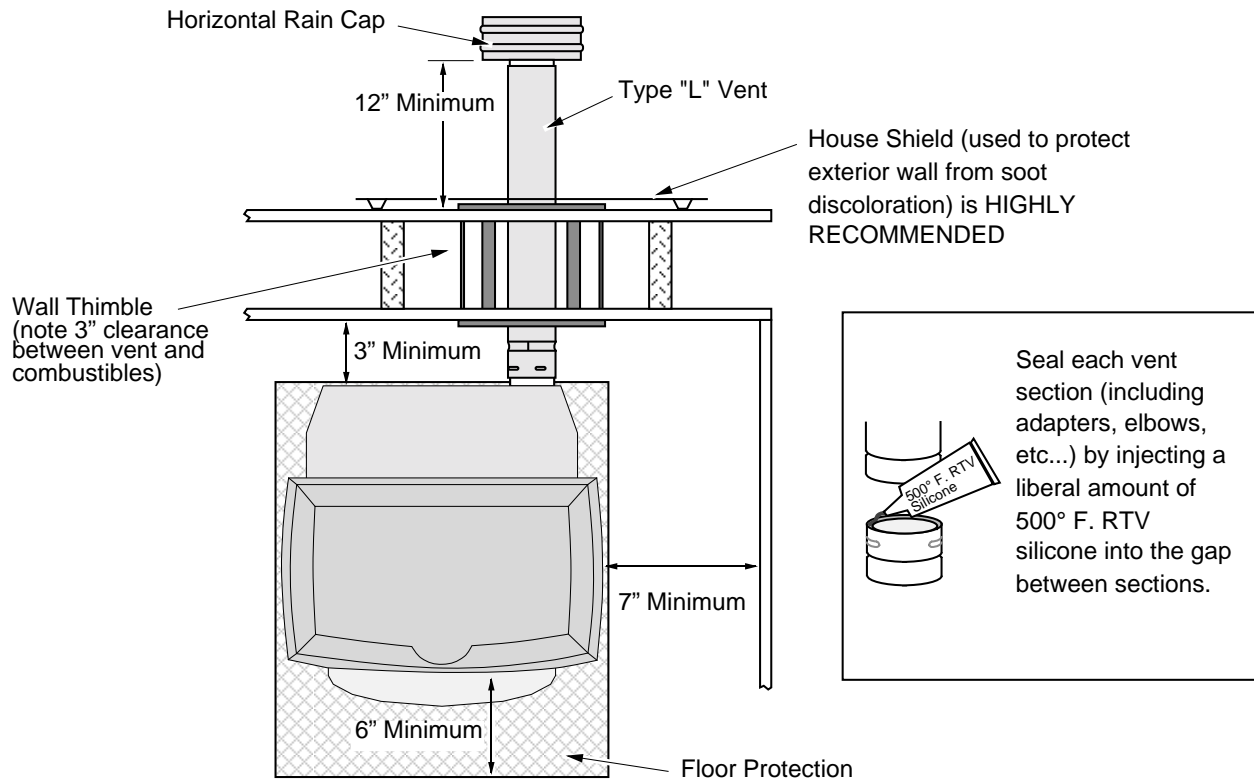
- 3 Follow the directions to the right to attach the thermostat and thermostat wires.



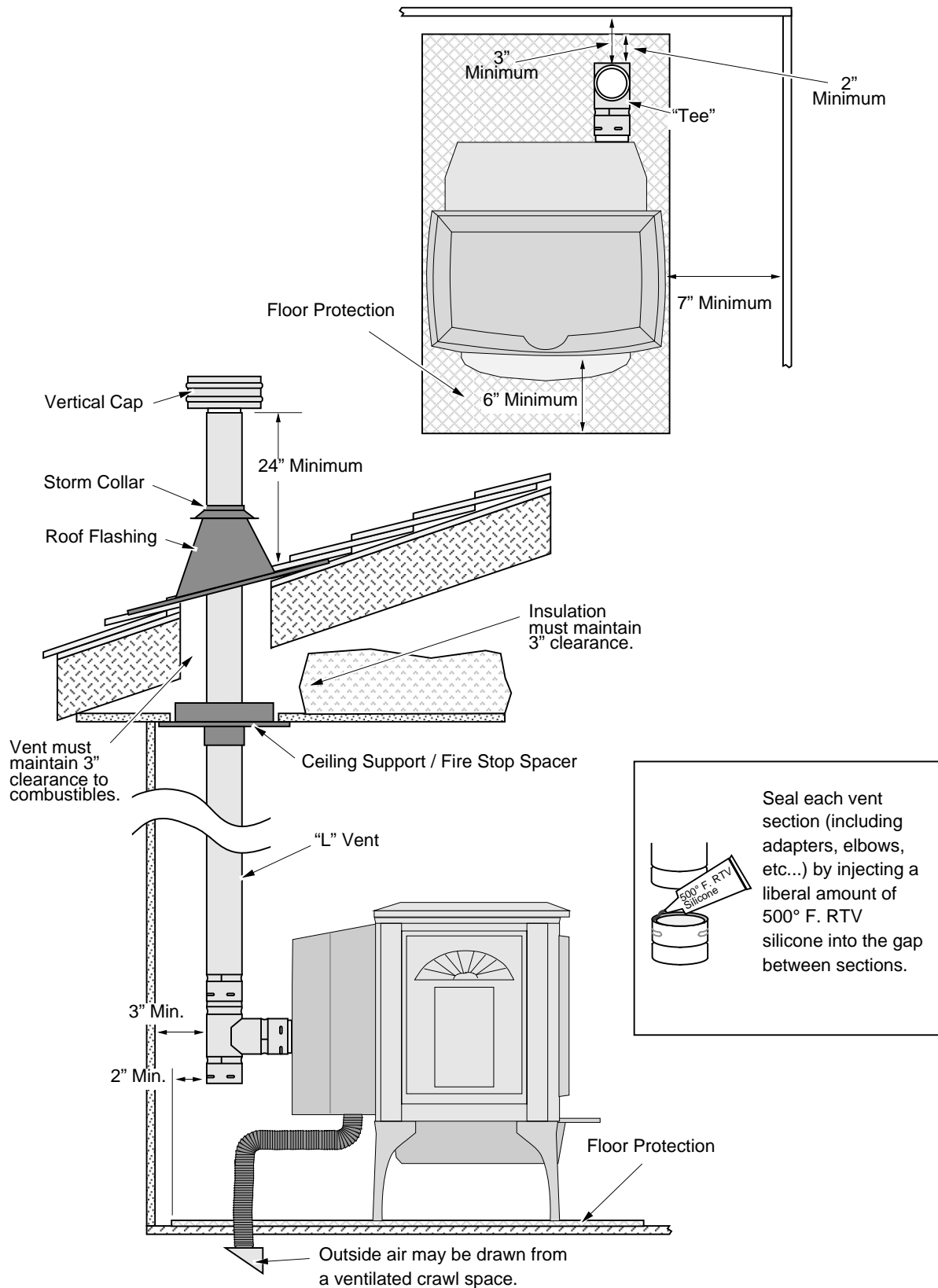
Attach the thermostat to the wall through these two holes.

14 Installation (For Qualified Installers Only)

Installation Example: Direct "Through-the-wall" Installation

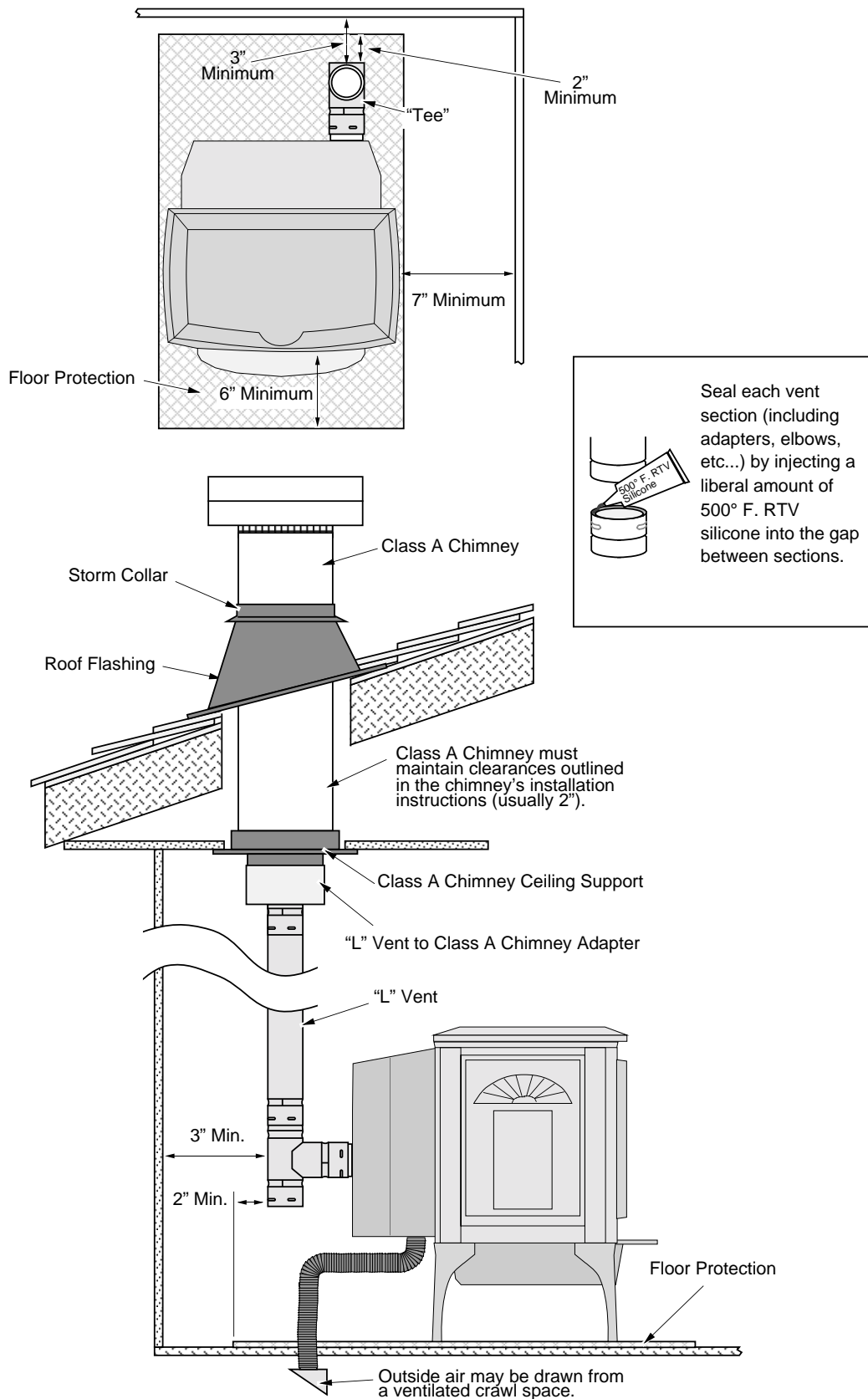


Installation Example: Interior Vertical Installation

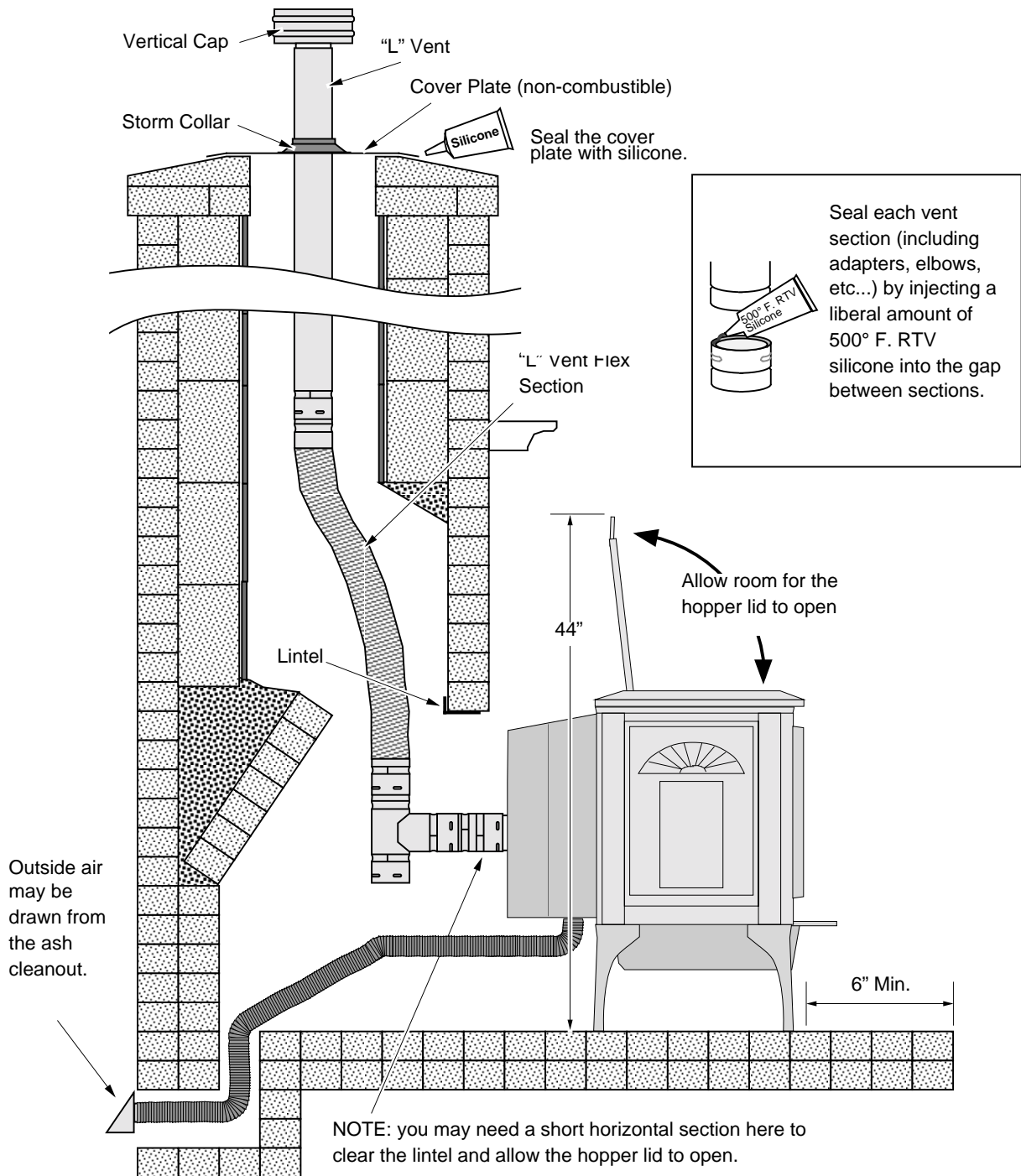


16 Installation (For Qualified Installers Only)

Installation Example: Class A Chimney Retrofit

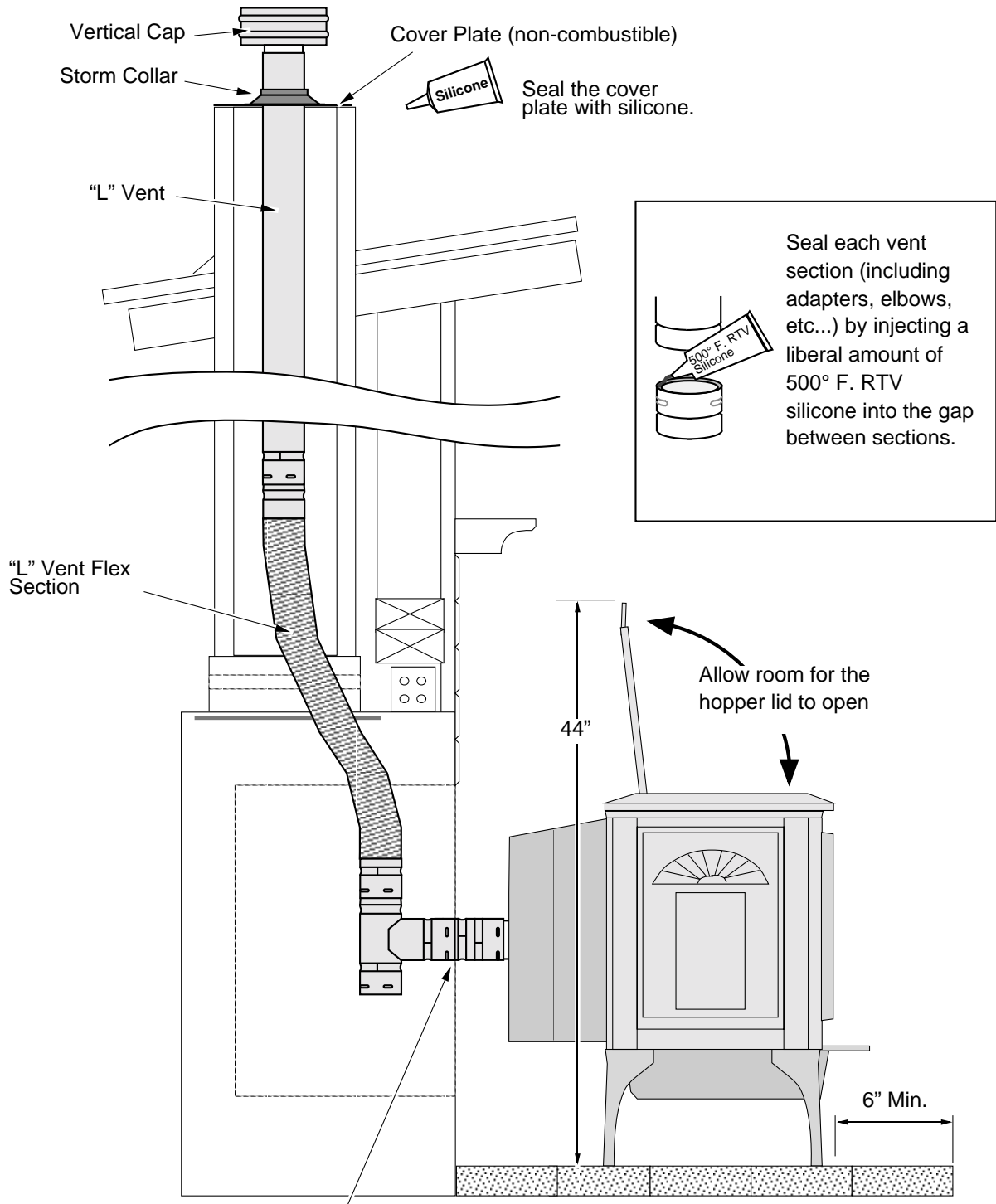


Installation Example: Masonry Fireplace Hearth Stove



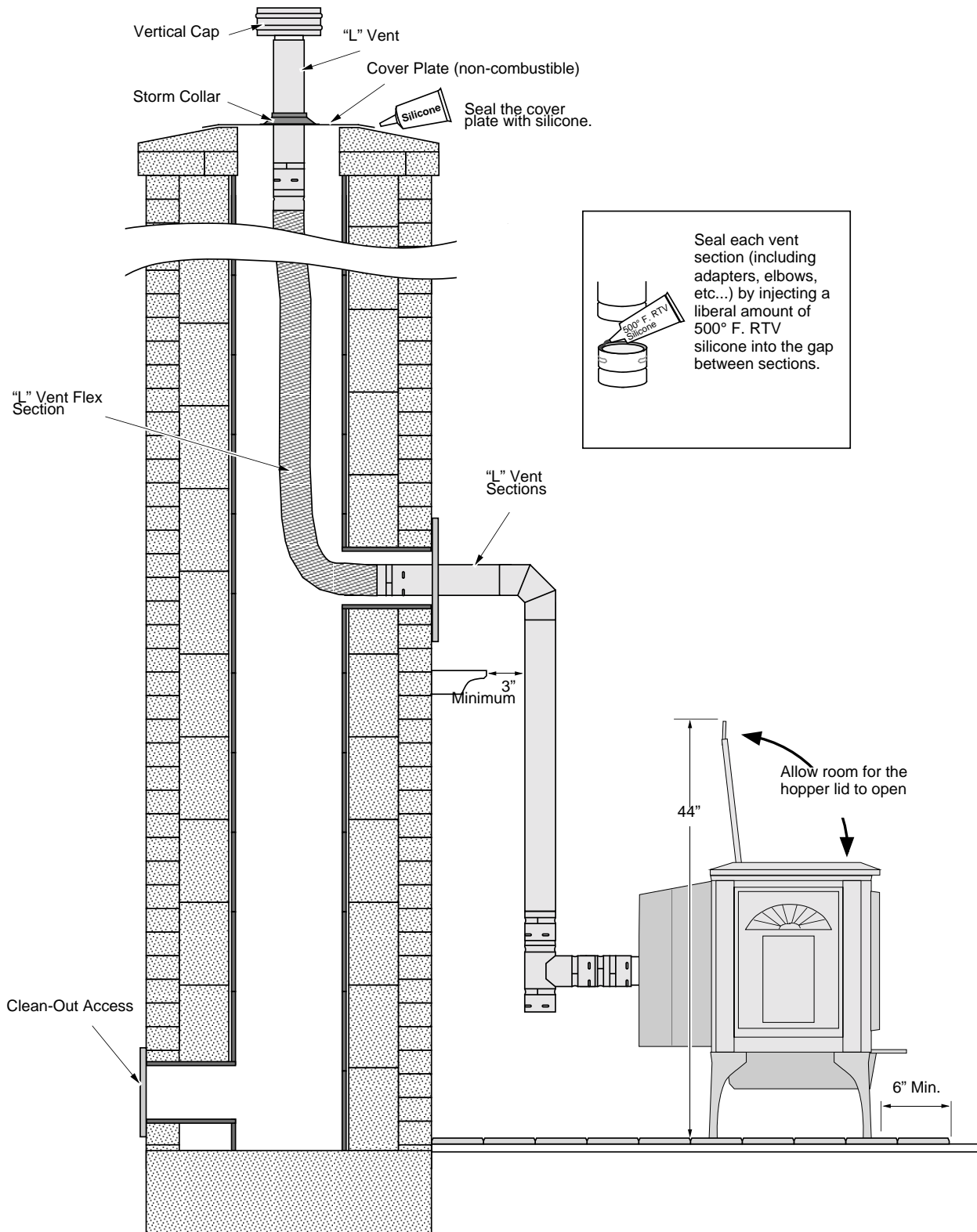
18 Installation (For Qualified Installers Only)

Installation Example: Zero-Clearance (Metal) Fireplace Hearth Stove



NOTE: you may need a short horizontal section here to clear the lintel and allow the hopper lid to open.

Installation Example: Freestanding Masonry Chimney



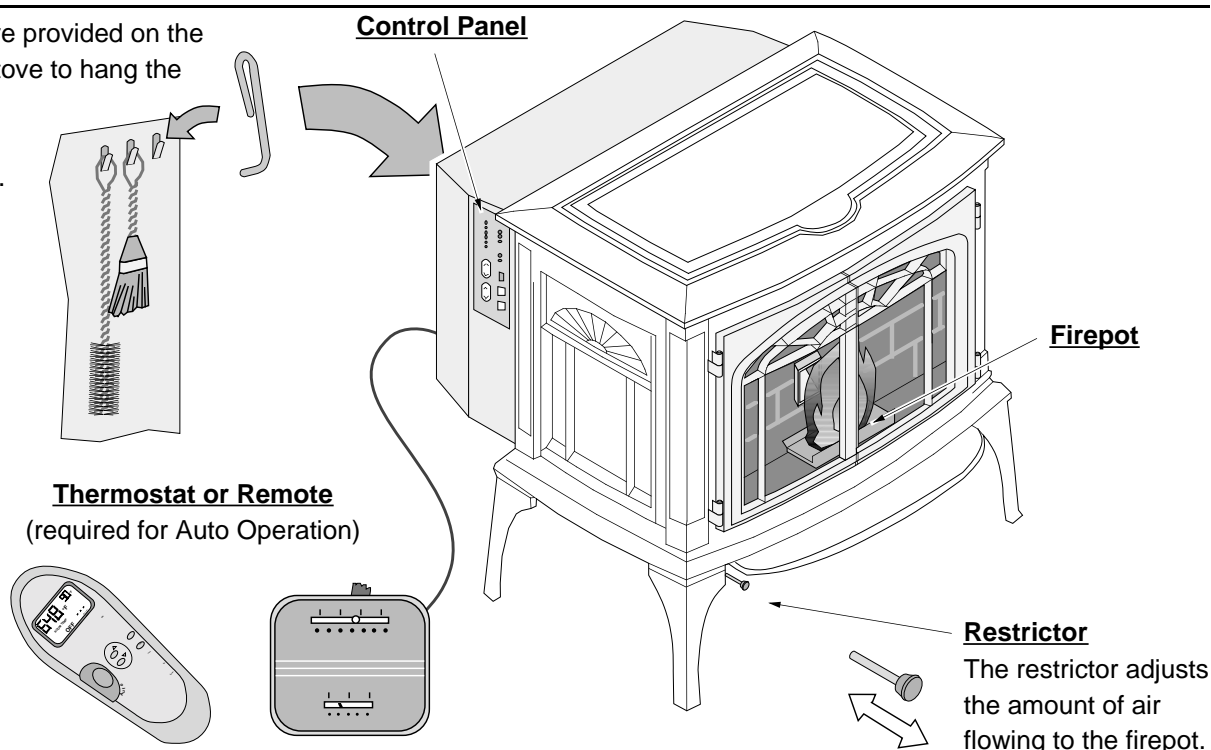
Safety Notice

Read this entire manual (especially the "Safety Precautions" on pages 4 and 5) before using this stove. Failure to follow the instructions may result in property damage, bodily injury, or even death.

- ! Do not unplug the stove to turn it off. This stove relies upon electricity to push the flue gases out the pellet vent – unplugging it may lead to smoke entering your room.
- ! Failure to maintain your heater will lead to a restricted combustion air system, leading to poor performance and in some cases, smoke spillage into the room. See the "Maintenance" section for details.

Location of Controls

Three tabs are provided on the back of the stove to hang the cleaning tools (bend the tabs out).



Starting the Heater for the First Time

Start the Heater - Let it Burn for 1 Hour - THEN OPEN THE DOOR

The stove paint is cured through heat. To prevent it from bonding to the door gasket, you must burn the heater for approximately 1 hour, then open and close the door to break any bonding.

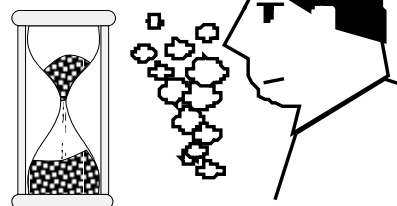
Curing the Paint

This stove uses a heat-activated paint that will emit some fumes while starting the first fire. Open doors and windows to the room to vent these fumes. You may also notice oil burning off of the interior of the stove. This rust-stopping agent will soon dissipate.

Priming the Auger

Because of its electronic control panel, this stove does not require priming. If you run out of pellets you may notice it will take approximately 5 minutes longer for the stove to start.

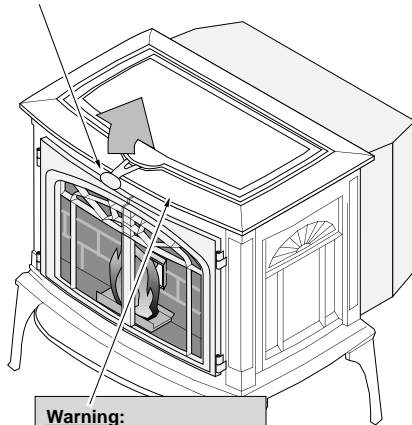
2 to 4 hours



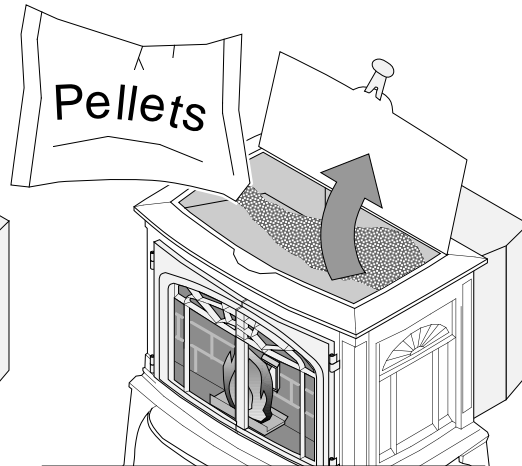
Loading Pellets

Lift the hopper lid to its vertical position. Pour pellets into the hopper until full. **NOTE:** The hopper holds approximately 50 pounds of pellets.

To Open the Hopper Lid:
Lift the hopper lid from this handle.



Warning:
The front edge of the stove top becomes very hot, do not touch this area below the handle.



NOTE:
The auger automatically shuts off when the hopper lid is open. If loading pellets while the heater is on, make sure to close the lid as soon as possible. This prevents the heater from shutting off due to lack of pellets in the firepot.

HINT: To prevent the pellet stove from inadvertently shutting down due to the auger disabling switch, we recommend pressing the "START" button after reloading the stove.

The Two Modes of Operation

Manual

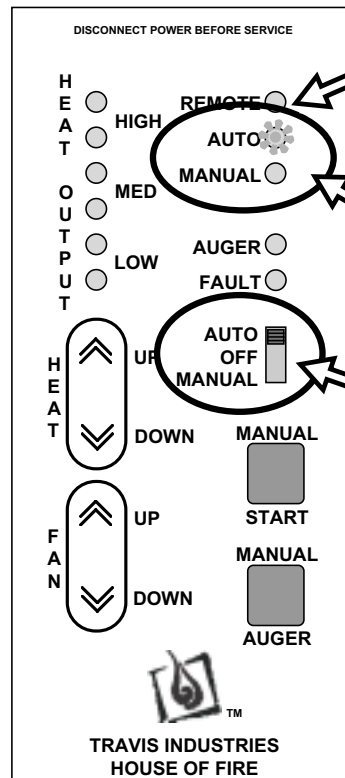
Manual mode requires the user to turn the heater on and off manually.

Auto (requires a thermostat)

Auto mode allows you to use a thermostat to control room temperature. The stove automatically turns on when the temperature drops below the thermostat setting. Once the stove reaches operating temperature, the stove then runs at the heat output setting selected.

Switching Modes While in Operation

Whenever the stove is switched from one mode to another while in operation, the stove will enter the "start-up" sequence for a minimum of 20 minutes.



NOTE: if using a modulating remote, this light will come on to indicate the remote is controlling the heater.

These indicator lights are used to determine which mode you are in.

Use the mode switch to determine the mode.

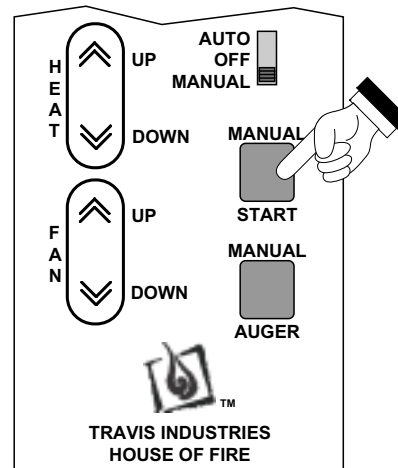
Manual Mode

Manual mode requires the user to turn the heater on and off manually.

To Start

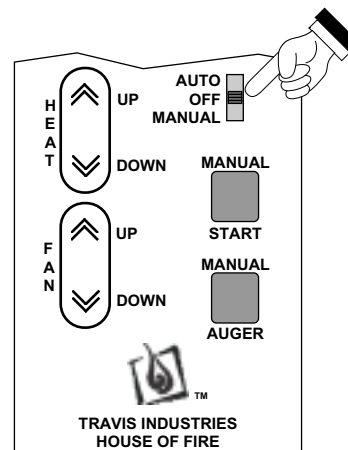
Press the "Manual Start" button. That's it. The stove automatically goes to a medium burn rate and high fan while the igniter starts the fire burning within 10 minutes. During this period the lowest "HEAT OUTPUT" light will flash. If the stove does not start in 30 minutes, the stove turns off.

Once up to temperature, the stove will then run at the heat output setting selected on the control panel (see "To Adjust the Heat" below).



To Shut Down

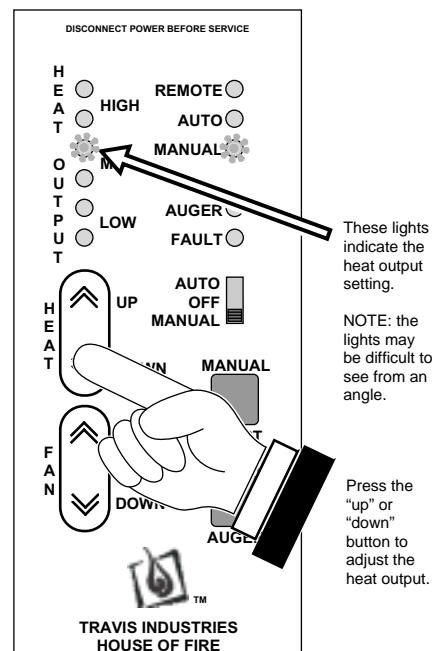
Move the mode switch to "OFF". The exhaust blower will still run until the heater cools down.



To Adjust the Heat

Press the "Heat" buttons to adjust the heat output.

NOTE: During start-up you may adjust the heat setting. This heat setting will take effect once the start-up sequence is complete.

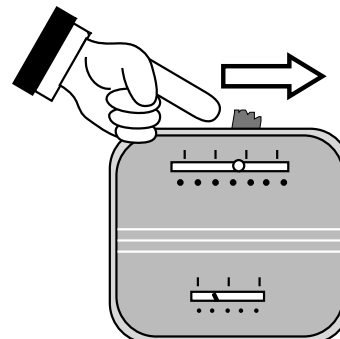


Auto Mode

Auto mode allows you to use a thermostat to control room temperature. The stove automatically turns on when the temperature drops below the thermostat setting. Once the stove reaches operating temperature, the stove then runs at the heat output setting selected.

To Adjust Room Temperature (or Start the Stove)

Move the thermostat to the heat setting desired. If the room is cooler than the setting, the stove will go through the start-up sequence for approximately 10 minutes. During this period the lowest "HEAT OUTPUT" light will flash. Once up to temperature, the stove will then run at the heat output setting selected on the control panel. If the room is too hot, move the thermostat to a lesser setting.



To Adjust the Heat

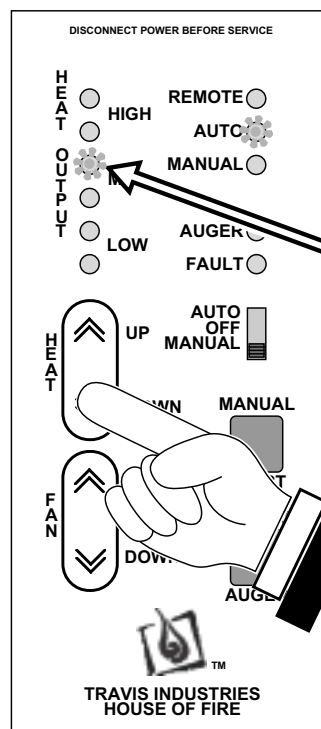
Press the "Heat" buttons to adjust the heat output.

HINT:

If you find that the stove turns on and off repeatedly, you may wish to turn the heat output to a lesser setting. The lower setting will provide a more consistent heat output over time, eliminating the need for the thermostat to repeatedly turn the stove off.

NOTE:

If the thermostat calls for heat while the stove is still cooling down, the stove will go through the start-up sequence (for a minimum of 20 minutes).

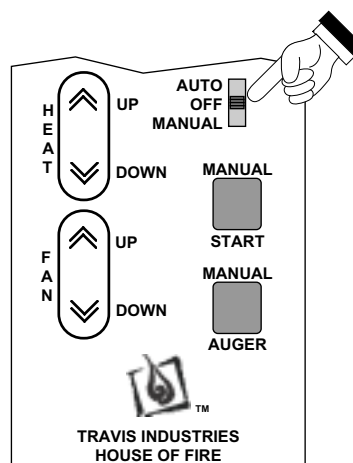


These lights indicate the heat output setting.
NOTE: the lights may be difficult to see from an angle.

Press the "up" or "down" button to adjust the heat output.

To Shut Down

Move the mode switch to "OFF". The exhaust blower will still run until the heater cools down.



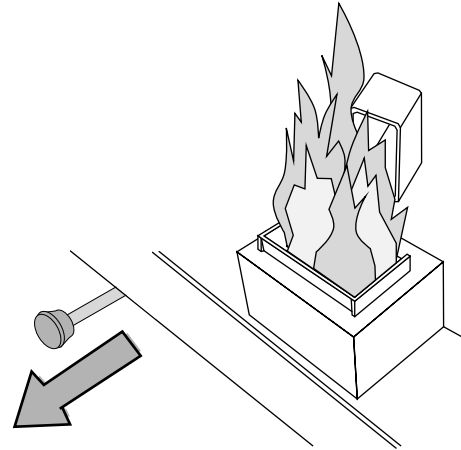
Restrictor Adjustment

The restrictor “fine tunes” your appliance, adjusting the amount of air flowing to the flame.

NOTE: the optimal restrictor position will vary over time as soot builds up inside the exhaust system.

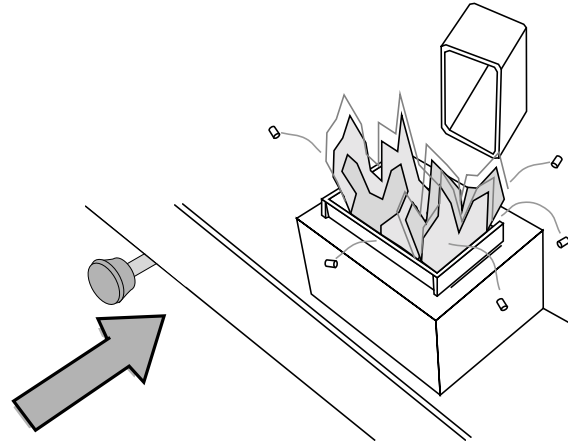
Not Enough Air

If clinkers (ashes that solidify into a clump) develop or the flame appears lazy and slow to blow the ash out of the firepot, pull the restrictor outward until the flame becomes active and the firepot holes remain clean. **NOTE:** If the restrictor is fully out, yet the firepot does not remain clean, the stove needs to be cleaned and checked for air leaks (see “Maintenance” section of this manual).

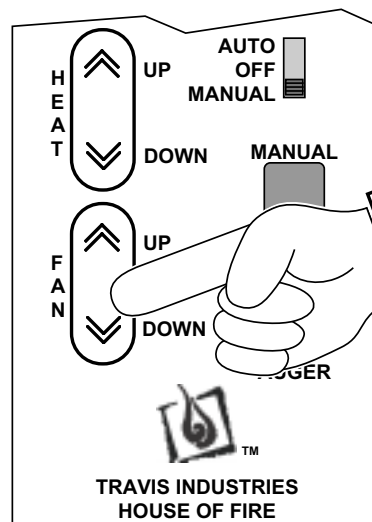


Too Much Air

If the flames are too active (small, flickering flames) or if burning pellets are expelled from the firepot, move the restrictor rod inwards until the flame slows down and no burning pellets are expelled. Another symptom of too much air is the heater “blowing the fire out” – a condition in which the pellets burn faster than they are fed (this is most common on low).



Adjusting the Fan Speed



Press the “up” or “down” button to adjust the fan speed.

NOTE: When adjusting the fan speed the HEAT OUTPUT lights will flash the fan speed setting for one second.

Start-Up Sequence

This stove utilizes a start-up sequence whenever the mode switch is changed or the heater is started when cold. This is to ensure proper operation through all possible settings and operational states (hot or cold, pellets burning or not burning, etc.). This sequence over-rides all user settings (except the "OFF" position) to set the auger feed rate to medium, the exhaust blower to high, and the igniter on. During this period the lowest "HEAT OUTPUT" light will flash.

"MANUAL AUGER" Button

This button turns the auger on. It is used to "prime" the auger after the hopper has run out of pellets.

"AUGER ON" Light

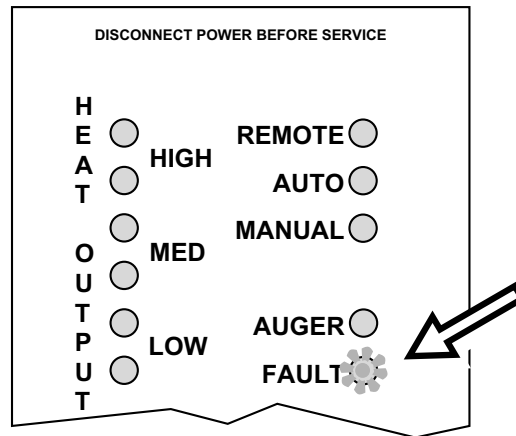
This light comes on when the auger is turning. This allows the operator to determine when the auger is turning.

"FAULT" Light

This light comes on when an error occurs:

- The stove runs out of pellets
- During initial start-up (for a split second) or for improper electrical frequency
- A start-up sequence that does not result in the heater coming up to temperature

To reset the fault light, turn the mode switch to off and re-start the stove.



Fault Codes (for qualified service personnel only)

Fault and #2 (LOW) Light Flash = Flow Switch Fault

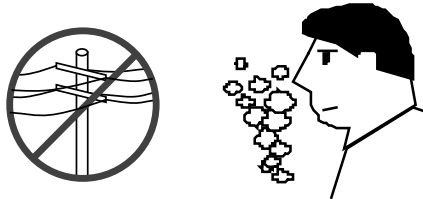
Fault and #4 (MID) Light Flash = System Snap Disk Fault (pellets run out & stove goes cold)

Fault and #6 (HIGH) Light Flash = Safety Snap Disk Fault

Power Outages

If a sustained power outage occurs while in "Manual", the stove will go to a "cool down" mode to vacate smoke once power returns. If the power outage was short, the heater will go to the start-up sequence. If in "Auto", the stove will re-start (if the room is cool).

- ! Because this stove relies upon a blower to evacuate the smoke, some smoke may enter the home during a power outage. To keep to a minimum, leave the door closed.



Using a Pellet/Corn Mix with This Heater

This heater may burn a mixture of corn and wood pellets up to a 50% - 50% proportion by volume. Shelled corn burned in Travis pellet appliances must be clean (free of husk and cob residue) and have a moisture content no greater than 15%.

DO NOT BURN A MIX WITH MORE THAN 50% CORN TO WOOD PELLETS.
THOROUGHLY MIX THE TWO FUELS TOGETHER TO BE SURE OF AN
EVEN BURN RATE.

- If combustion is slow, if the fire is slow to start, or if clinkers (ashes that solidify into a clump) build up rapidly in the fire pot, decrease the proportion of corn and increase the proportion of wood pellets until you find a proportion that works well in your appliance.
- If your stove or insert is operated with a thermostat, you may notice the automatic igniter at times fails to light a 50/50 corn to pellet mix. If you experience this, decrease the proportion of corn and increase the proportion of wood pellets in the mix.

For an optimum fire and greatest efficiency, it is important to keep the fire pot free of built up ashes. If you are burning only high quality wood pellets, you should check and clean the fire pot at least every two weeks or after ten bags of pellets.

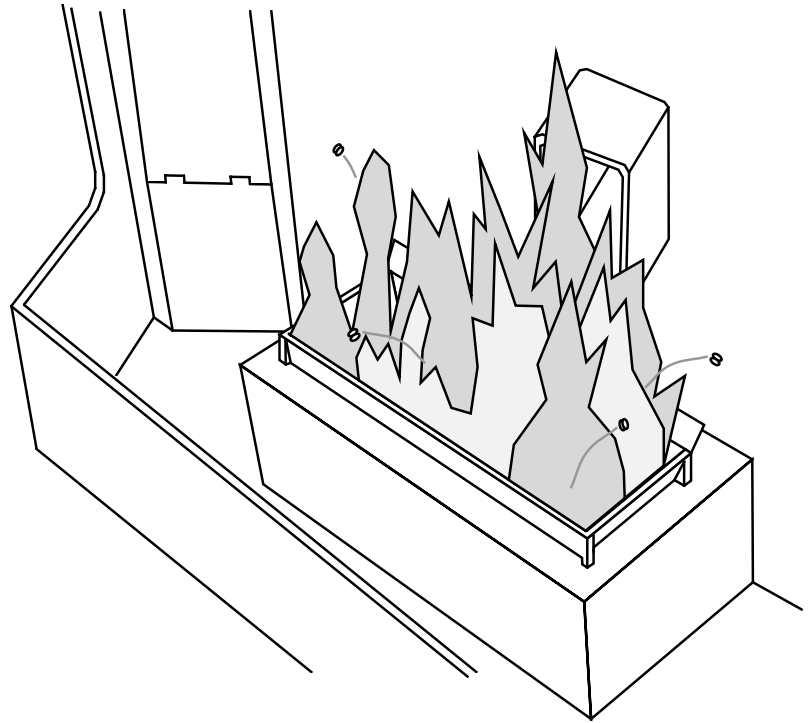
If the pellets you are burning have a high ash content or if you burn a corn/wood pellet mixture, we recommend that you check the fire pot every day and clean it if necessary.

Daily Maintenance (whenever using the stove)

Inspect the Burn

When burning on high, the flames should be bright orange with embers jumping from the firepot.

NOTE: the optimal restrictor position will vary over time as soot builds up inside the exhaust system. See "Restrictor Adjustment" for details.

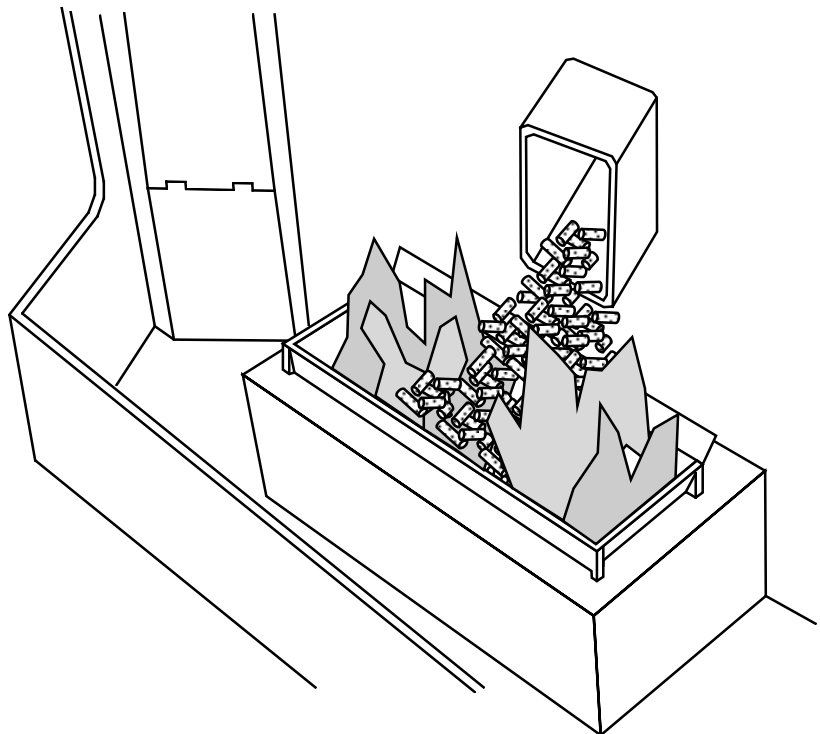


Make Sure Pellets are Not Piling Up

If the pellets pile up over the burn pot, turn the mode switch to "OFF".

The most likely causes are:

- Restrictor needs adjustment (see "Restrictor Adjustment" in the installation section of this manual)
- The door, glass, or ashpan is open or has an air leak
- The firepot requires cleaning
- The exhaust system requires cleaning



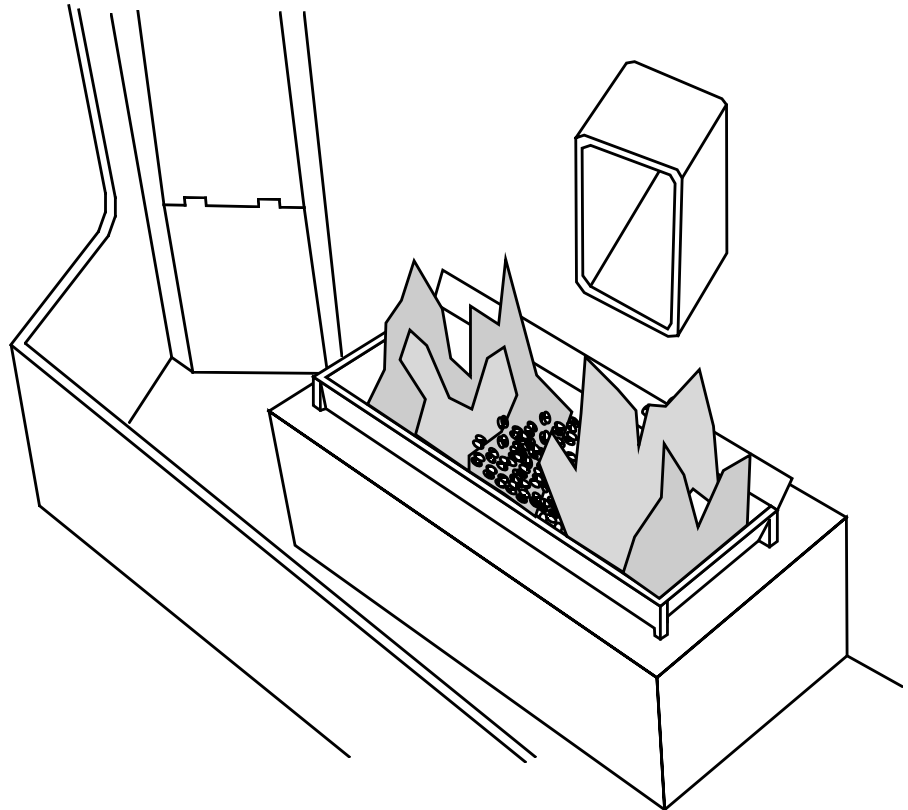
Daily Maintenance (whenever using the stove) - Continued

Check Firepot for Clinkers

If the flames seem to be coming only from the sides, or are orange/black, turn the heater off and check for clinkers (ashes that solidify into a clump).

The most likely causes are:

- Restrictor needs adjustment (see "Restrictor Adjustment" in the installation section of this manual)
- Poor pellet quality
- The door or glass has an air leak
- The exhaust system requires cleaning

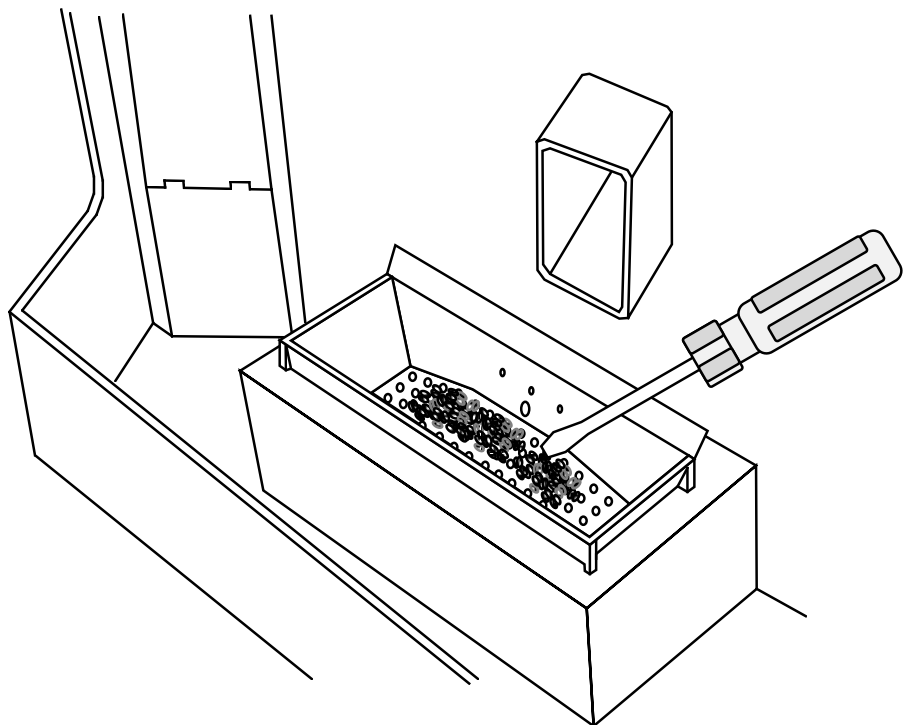


Cleaning the Firepot

WARNING:

Make sure the heater has fully cooled (approximately 25 minutes) before opening the door and conducting service.

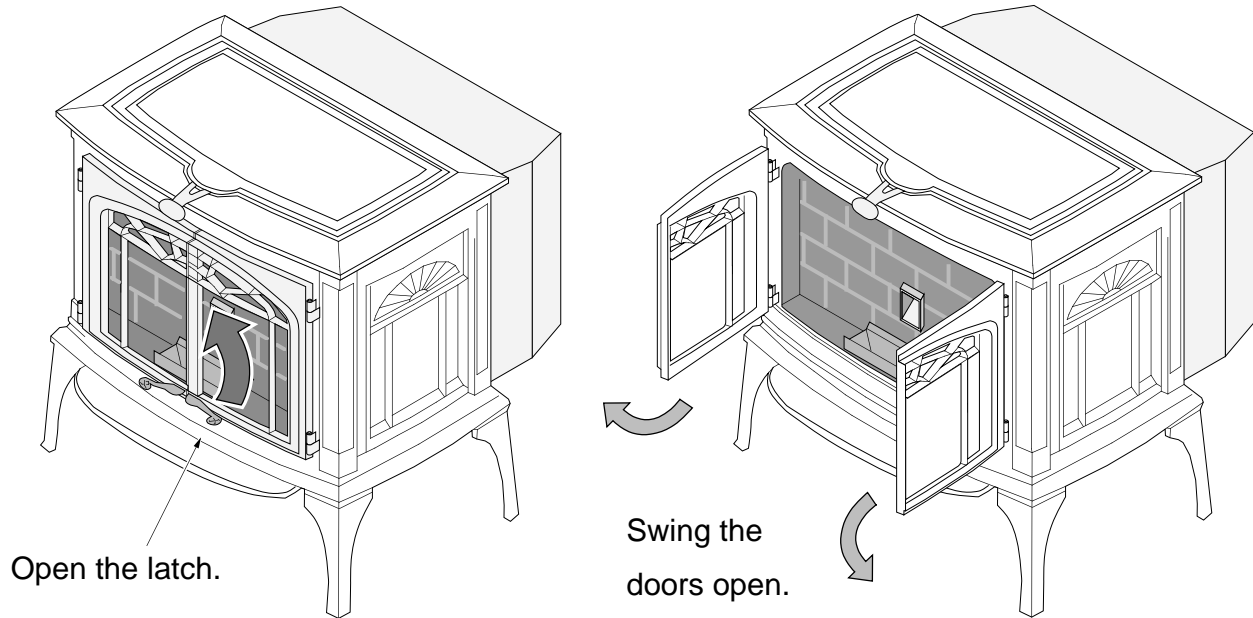
To clean the firepot, open the door (see page 27) and knock away any debris on the firepot with a screwdriver. If severely clogged, remove the firepot to gain better access.



Daily Maintenance (whenever using the stove) - Continued

Door Opening

WARNING: Make sure the heater has fully cooled (approximately 25 minutes) before opening the door and conducting service.

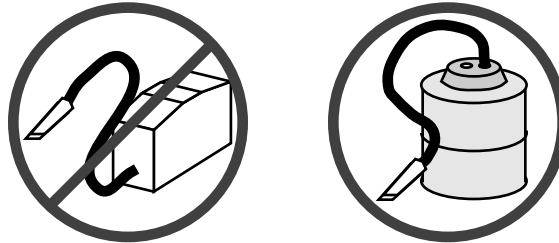


WARNING: Do not swing the doors past 90°. This may cause the doors to strike the body of the stove and cause damage.

NOTE: When closing the doors, close the left door first. Then shut the right door and tighten the latch.

Bi-Weekly Maintenance (or every 10 bags of pellets)**Flyash Removal**

This heater was designed to allow for easy flyash removal with the included tools. However, to ease maintenance, several pellet stove owners have purchased vacuums specifically made to remove flyash. Furthermore, some of these vacuums are heat-resistant to allow for flyash removal while it is still warm. **Do not use a standard vacuum on this appliance** (except to clean the pellet dust out of the hopper). Standard vacuums may spread the fine particles inside the flyash into the home and are not heat-resistant (hot flyash may cause the internal portion of vacuums to ignite).

**Clean the Hopper**

Run the stove until the pellets run out. Open the hopper and remove the dust and debris near the bottom of the hopper.

Clean the Exterior

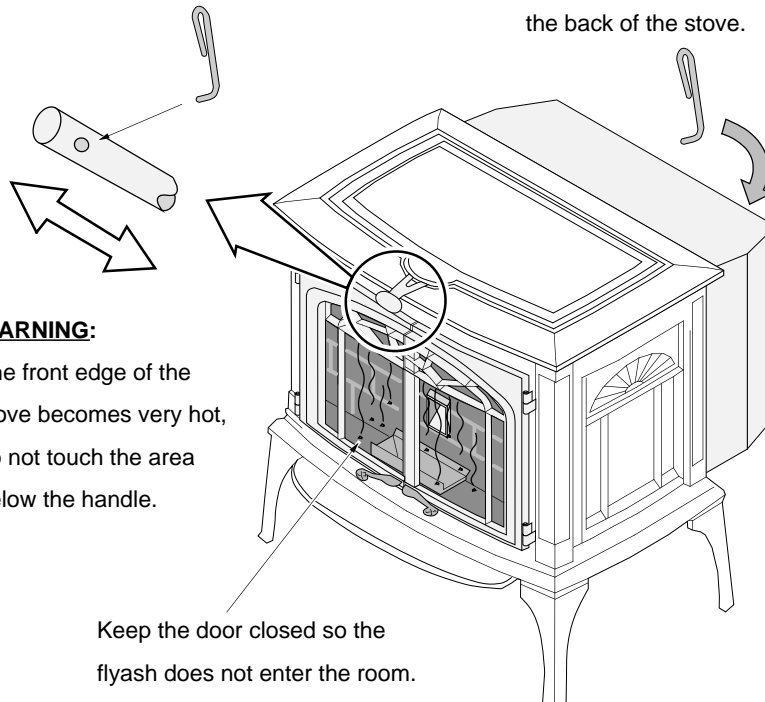
Painted or enameled surfaces may be dusted or wiped with a soft, damp cloth. Do not use abrasive or solvent-based cleaners.

WARNING: Do not clean enamel surfaces when hot – this may cause the surface to crack.

Clean the Heat Exchange Tubes

Use the included tool to move the heat exchanger rod up and down.

NOTE: The tool hangs on the back of the stove.

**WARNING:**

The front edge of the stove becomes very hot, do not touch the area below the handle.

Keep the door closed so the flyash does not enter the room.

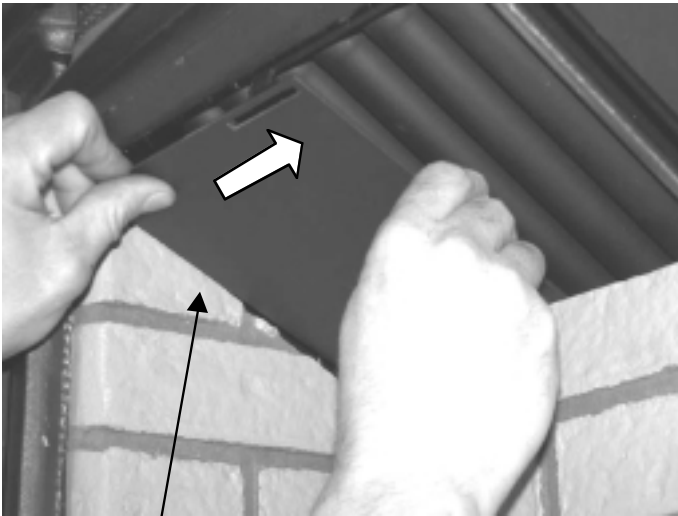
Bi-Weekly Maintenance (or every 10 bags of pellets) - continued

Clean the Baffles

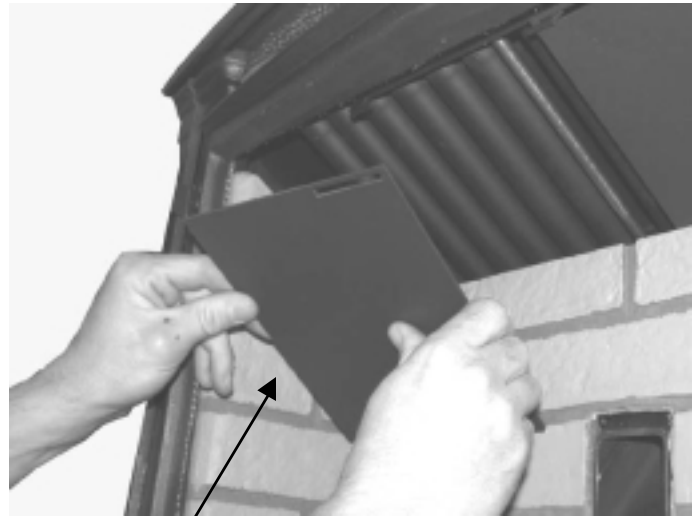
WARNING: Make sure the heater has fully cooled (approximately 25 minutes) before conducting service.

HINT: The more often you clean out flyash, the more efficient your heater will burn.

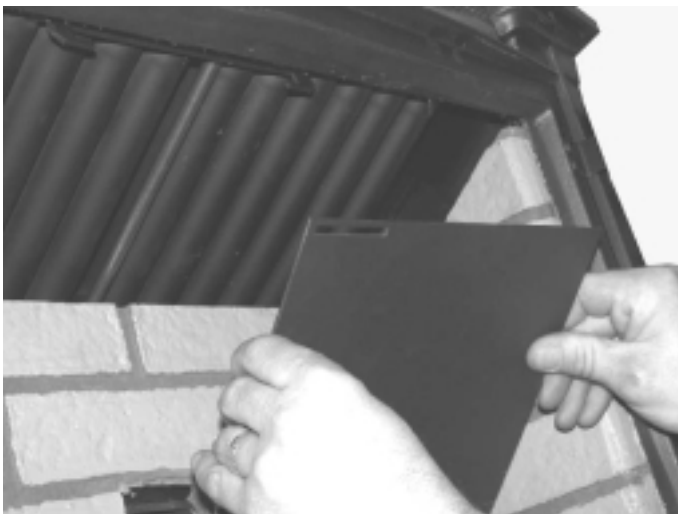
The baffles are found along the top of the firebox. The front edge has a slot that slides into a hook on the top of the firebox. The back rests on the back refractory. To remove, slide them inwards, pull them forward, and tilt them back to allow the accumulated flyash fall off into the firebox. Replace after cleaning.



Push up on the front portion of the left baffle and slide it to the right. Note how the rear edge of the baffle rests on the rear refractory.



Move the baffle forward and tilt the back down. This allows any built-up flyash to fall off the top of the baffle.



The right side baffle is removed in the same fashion. Note how the right side baffle is larger than the left side baffle.

Bi-Weekly Maintenance (or every 10 bags of pellets) - continued**Sweep Ash Into Ashpan**

WARNING: Make sure the heater has fully cooled (approximately 25 minutes) before conducting service.

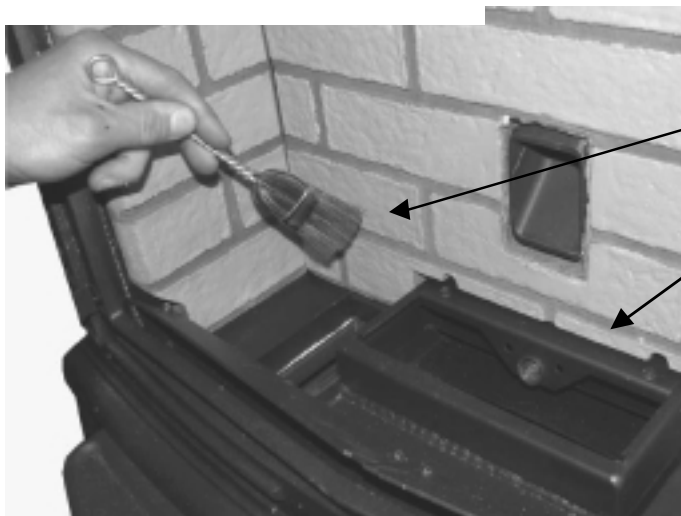
Remove the two ashdump covers on the floor of the firebox using the included hook tool. Remove the firepot and place it aside. Sweep accumulated flyash through the holes in the firebox floor into the ashpan. Replace the covers and firepot after cleaning.



Use the included hook tool to remove the ashdump covers (both side).



Lift the firepot out of the firebox.



Use the included brush to sweep all flyash into the ashpan.

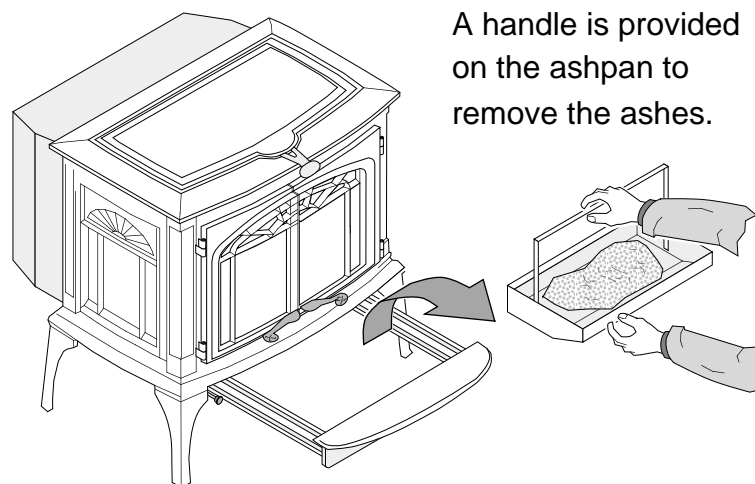
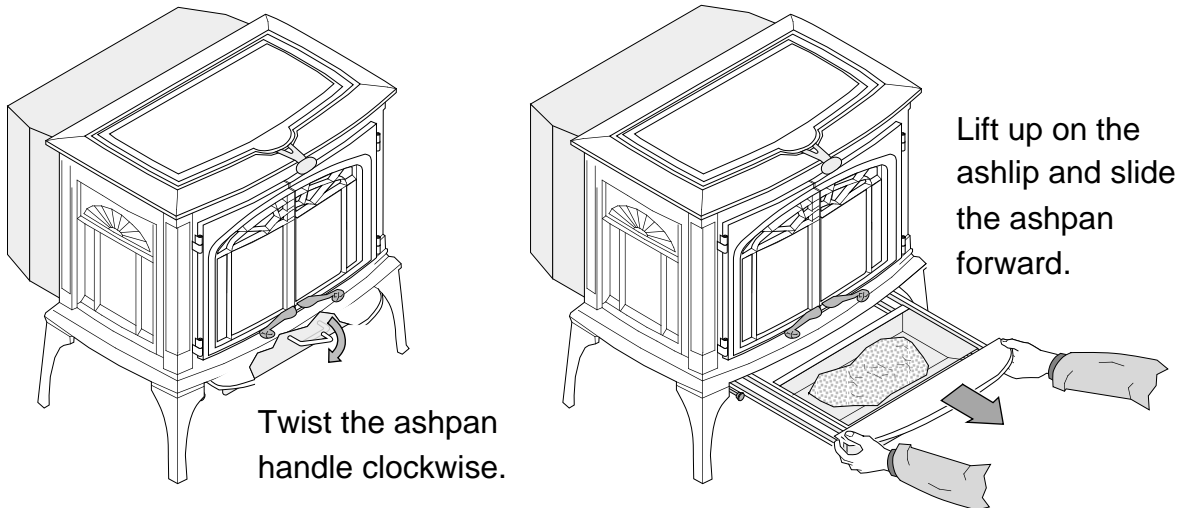
Make sure to sweep flyash from the firepot holder.

Bi-Weekly Maintenance (or every 10 bags of pellets) - continued

Check Ashpan, Dispose if necessary

WARNING: Make sure the heater has fully cooled (approximately 25 minutes) before conducting service.

WARNING: The ashpan must be in place while the heater is in use.



Disposal of Ashes – Ashes should be placed in a metal container with a tight fitting lid. The closed container of ashes should be placed on a noncombustible floor or on the ground, well away from all combustible materials, pending final disposal. If the ashes are disposed of by burial in soil or otherwise locally dispersed, they should be retained in the closed container until all cinders have been thoroughly cooled.

Clean the Glass

Open the doors and clean the glass with a non-abrasive glass cleaner and rag.

Yearly Maintenance (or every two tons)

The following section details extensive maintenance procedures. We strongly suggest these items be carried out by a trained service technician, possibly by a service agreement set up with your dealer.

WARNING: Disconnect the power cord and make sure the heater has fully cooled prior to conducting service.

Soot and Flyash: Formation and Need for Removal – The products of combustion will contain small particles of flyash. The flyash will collect in the exhaust venting system and restrict the flow of the flue gases. Incomplete combustion, such as occurs during startup, shutdown, or incorrect operation of the room heater will lead to some soot formation which will collect in the exhaust venting system. The exhaust venting system should be inspected at least once every year to determine if cleaning is necessary.

Clean the Vertical Exhaust Duct

Remove the baffles at the top of the firebox (see page 31). Remove the firepot and ashdump covers (see page 32). Remove the side and back refractory (see the pictures below).

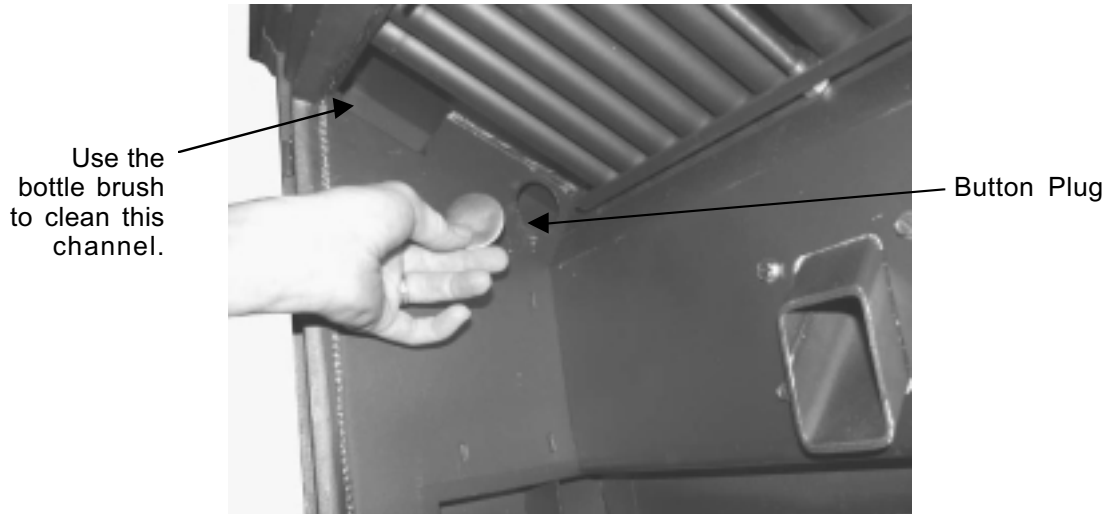


Using the included latch tool, remove the two duct covers on the inside of the firebox (see the pictures below)..

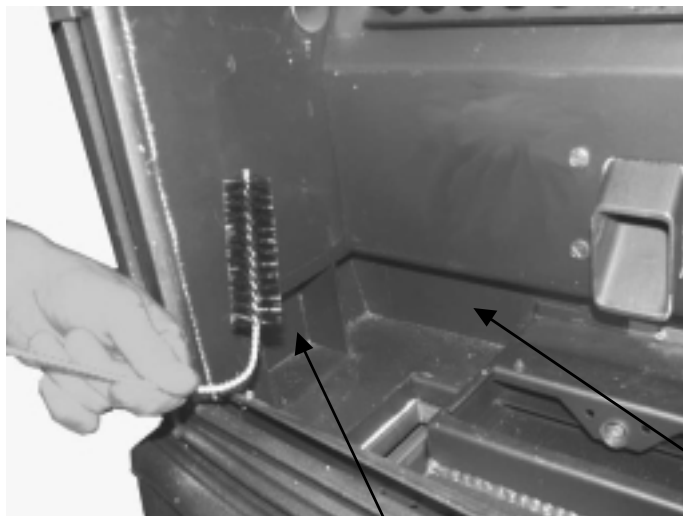


Yearly Maintenance (or every two tons) - continued

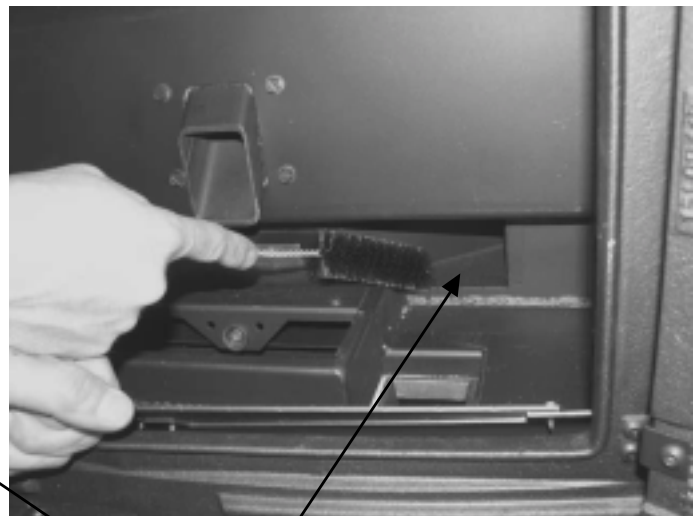
Remove the button plugs at the top of the firebox (both sides). Once removed, use the bottle brush to dislodge any flyash from the exhaust channel behind the button plug.



Use the included bottle brush to remove accumulated flyash from the vertical exhaust channels (both sides). You may need to bend the bottle brush to allow it to access this area. Remove accumulated flyash from the horizontal exhaust channels along the perimeter of the firebox and leading to the exhaust blower. Sweep the flyash out of the exhaust channels and into the ashpan.



Vertical Exhaust Channel (behind the firebox walls – accessed from below).



Horizontal Exhaust Channel

HINT: You can remove dry flyash from the vertical exhaust channels by “tapping” on the walls (be careful to prevent flyash from flying into the air).

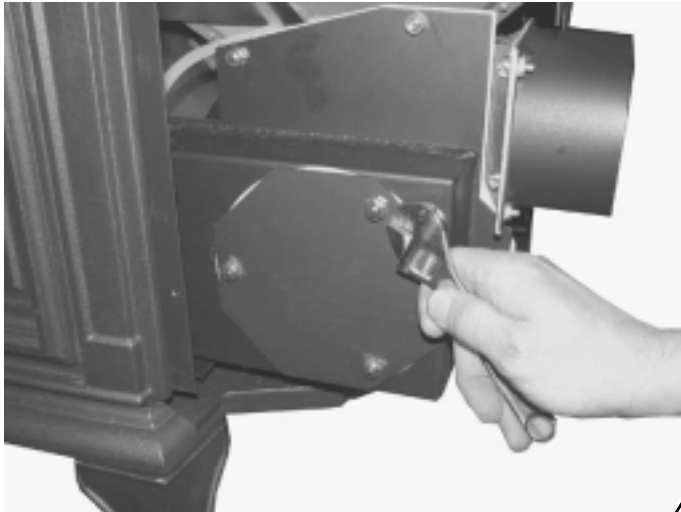
Yearly Maintenance (or every two tons) - continued**Clean the Exhaust Blower**

The exhaust blower cover is held in place with 4 screws.

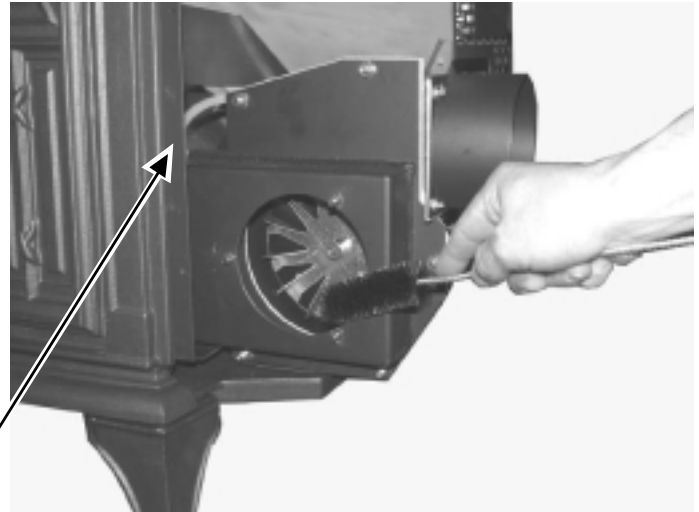


Remove the side cover.

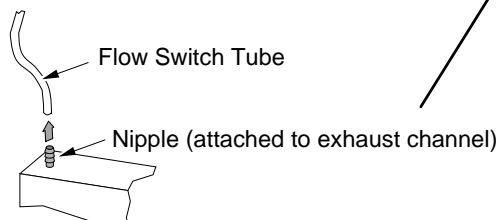
Remove the cover plate on the exhaust blower. Clean the area inside the blower, removing all flyash.



Remove these 3 nuts to expose the exhaust blower.



Use the bottle brush to dislodge any flyash near the exhaust blower and in the horizontal exhaust channel. Take care to not damage the impeller on the exhaust blower.



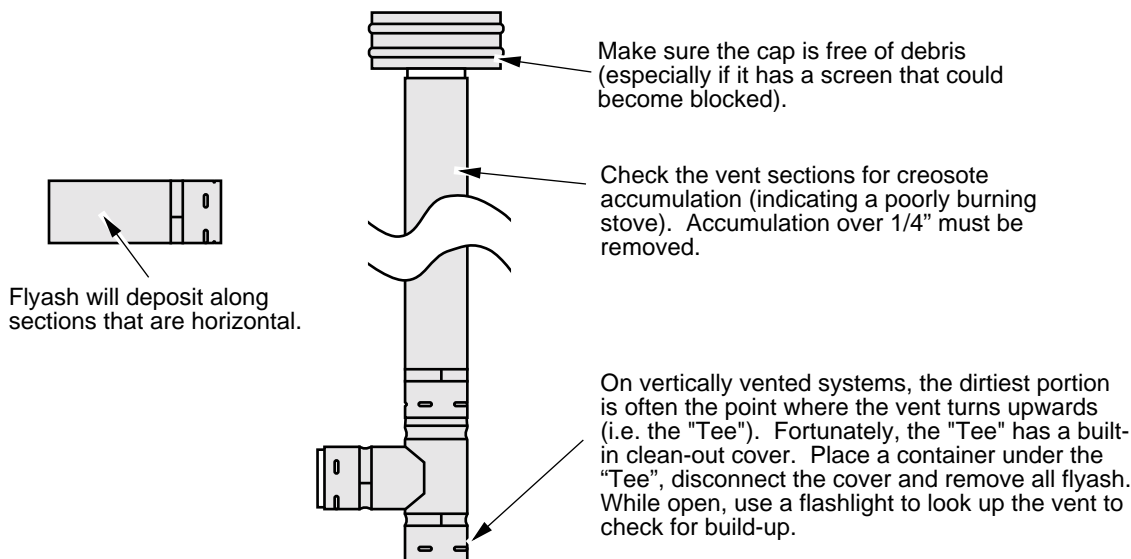
Check the nipple and flow switch tube. Insert a pipe cleaner through the nipple to dislodge any flyash. **NOTE:** The flow switch will shut off the auger if the tube becomes clogged or dislodged. Make sure it is cleaned out and correctly attached.

Yearly Maintenance (or every two tons) - continued

Clean the Convection Blower

Remove all dust and debris from the convection blower. Take care to prevent damage to the convection blower impellers.

Clean the Vent



Warning: Whenever any portion of the pellet vent is disconnected, the joints must be sealed with RTV 500° F. silicone sealant.

Adjusting the Door Hinge and Latch

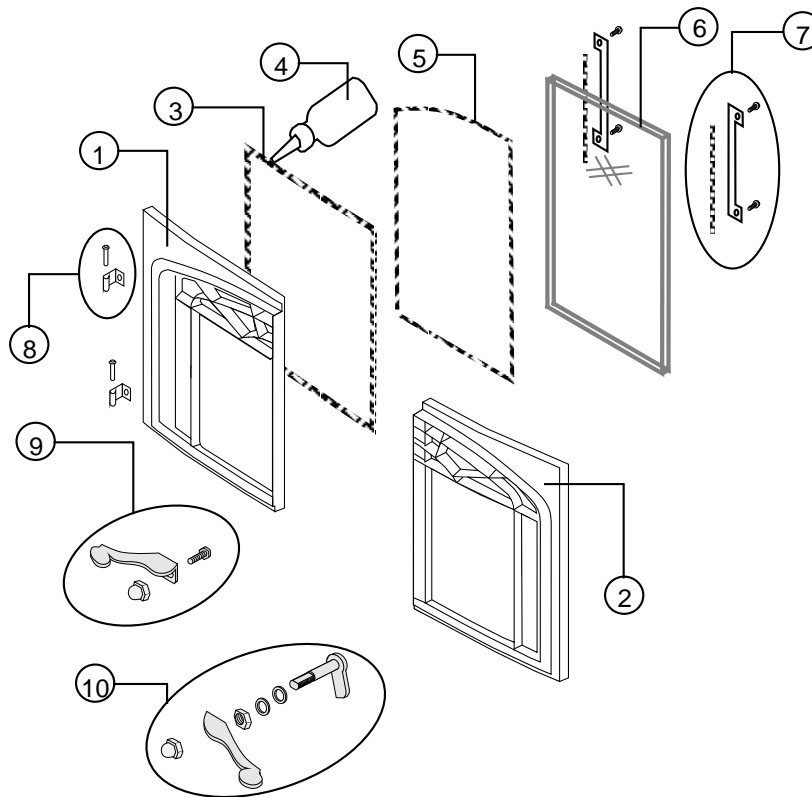
The door latch should pull the door against the face of the stove (but not so tight as to not allow full handle rotation). To adjust the door latch, adjust the position of the striker plate that attaches to the front plate of the stove.

Check for Air Leaks Around the Door, Glass, and Ashpan

- ! Air leaks into the firebox will decrease the stove's performance greatly, leading to excessive sooting, inefficient burning, and perhaps a malfunction.
- Inspect the door gasket to make sure it is fully attached. Use stove gasket cement to re-attach if necessary. If the door gasket is worn or flattened, replace.
- If the glass is cracked, replace. The glass is held in place by glass clips. See the illustration below for details.
- Remove the ashpan and inspect the gasket around the perimeter of the ashpan. Re-attach, or replace the gasket if necessary.

Replacement Parts

Door Replacement Parts



ID #	Description	Qty	Part #	ID #	Description	Qty	Part #
1	Door, Left	1		2	Door, Right	1	
3	Door Gasket	1		4	Gasket Cement	1	
5	Glass Gasket	1		6	Glass	2	
7	Glass Clip w Screws, Gasket	4		8	Door Hinge w Pins	4	
9	Left Door Handle w Hardware	1		10	Right Door Handle w Hardware	1	

Replacement Parts

Description
 ASHPAN ASSY - LEYDEN WD STOVE - COMPLETE - SERVICE PART
 AUGER DRIVE COLLAR, 1997 & UP - LARGE/SMALL PEL STOVE/INS
 AUGER FLIGHT INSPECTION COVER - 16 GA EG - 6.812 x 4.674
 AUGER FLIGHT, 2000+ LRG PEL - 2" PITCH
 AUGER MOTOR, ALL PS/PI EXCEPT - 93-96 PELLET INSERT (93-0194)
 AUGER, COMB. PELLET - LARGE - 2000 & UP
 BLOWER, CONV. P2-8/11-15/G1-2 - 93-95BV, 91-96PS/PI, 00 LRG PS
 BRUSH, BROOM STYLE # - REPLACES 93005530 & 93005531
 BURN POT, LG PS/PI-CORN & PEL - LRG- PS/PI ONLY - SERVICE PART
 CNTRL BRD, ALL PEL 1997 & UP# - LARGE OR SMALL PS & PI
 CORD RESTRAINER
 DOOR LEFT LYDN - NI COMPLETE - w/GLASS - SERVICE PART
 DOOR RIGHT LYDN - NI COMPLETE - w/GLASS - SERVICE PART
 DR STRIKER PLATE w/SCRWS - LYDN - SERVICE PART
 DRAFT (FLOW) SWITCH # - ALL PS/PI
 DRAFT FLOW TUBING, ALL PS/PI - ALL PELLET FS & INSERTS
 FACE HINGE LEAF - LYDN - SERVICE PART
 FIREBOX, SIDE LEFT, LEYDEN NI - CAST IRON - SERVICE PART
 FIREBOX, SIDE RIGHT, LEYDEN NI - CAST IRON - SERVICE PART
 FUSE - 5AMP CONTROL BOARD# - NEW DIAGNOSTIC BOARD 2006'
 FUSE HOLDER (IN-LINE)
 FUSE, 5AMP, 5 - FOR IN-LINE # - FUSE ASSEMBLY - 93 & UP PEL
 FUSE, 6AMP, 5 - CONTROL BOARD - 1997 TO 2005' PS & PI
 GLASS - LEYDEN WOOD - 11.062 x 8.437 SERVICE PART
 GLASS RPLCMNT SCR W PAK- LEYDEN - 8- STANDARD & 8- OVERSIZE

Part #

250-00160
 91002021
 210-02702
 91002013
 90-0191
 93005535
 98900755
 100-04301
 250-00128
 250-00011
 100-00112
 250-00138
 250-00137
 250-00143
 90-0791
 99300164
 250-00227
 250-00151
 250-00152
 250-00081
 100-00210
 93-0695
 93005019
 250-00142
 250-00179

Description

GRIDDLE STOP - LEYDEN - 12 GA CR - 1.531 x 1.000
 GROMMET, IGNITOR WIRE - LG P/S - BLACK RUBBER
 GSKT, CLEAN-OUT CVR, AST/LG PI - 3.250 x 2.750
 GSKT, COMB BLOWER (BODY), LRG - 10.505" x 7.782" x 1/8"
 GSKT, COMB BLOWER(MOTOR), LRG - 7.000" dia
 GSKT, EXHAUST PLATE - LG PEL# - 4.250" x 4.250"
 HOSE NIPPLE, BARBED (DRAFT)
 IGNITER, LG PS/PI - 2000 & UP - 250 WATT ELEMENT
 OIL PAN, COMB BLOWER - LG PEL - 20 GA ALZ - 5.414 x 1.881
 POWER CORD, PS/PI 1997 & UP # - 16 ga AWG w/RING & FML CNCTRS
 REFRACTORY (BRICK) - 3 PIECE SET
 SHL, ASH DRAWER - LEYDEN - CAST IRON - SERVICE PART
 SHL, ASH DRAWER FRONT - LEYDEN - CAST IRON - SERVICE PART
 SHL, ASHLIP - LEYDEN NEW IRON - CAST IRON - SERVICE PART
 SHL, GRIDDLE - LEYDEN - CAST IRON - SERVICE PART
 SHL, LEG - LEYDEN NEW IRON - CAST IRON - SERVICE PART
 SHL, OUTSIDE AIR COVR - LEYDEN - CAST IRON - SERVICE PART
 SNAP-DISC - 120deg CERAMIC # - NORMALLY OPEN
 SNAP-DISC - 120deg NO # - NORMALLY OPEN
 SNAP-DISC - 200deg NO # - NORMALLY CLOSED
 THERMOSTAT, PELLET
 TOOL, GLASS LATCH/RESTRICTOR/ - SCRAPER
 WIRE HRNS, PEL, JUMPER, LRG - PELLET
 WIRE HRNS, PEL, PS/PI 2005+ - REPLACES OLD HARNESS
 WIRE HRNS, THERMOSTAT (20')

Part #

250-00240
 100-02811
 100-03235
 100-03206
 100-03231
 100-03230
 100-04307
 250-00243
 210-03216
 93005015
 250-00264
 250-00159
 250-00157
 250-00156
 250-00134
 250-00136
 250-00158
 100-00232
 100-00231
 100-00233
 100-00250
 100-02302
 100-00390
 250-00017
 100-00400

Heat Exchanger Tubes

You may hear the heated air being forced through these tubes by the convection fan.

Convection Fan

The modern high efficiency fan may produce a low hum, particularly on "HIGH". This sound will change as the FAN setting is changed.

Exhaust Blower

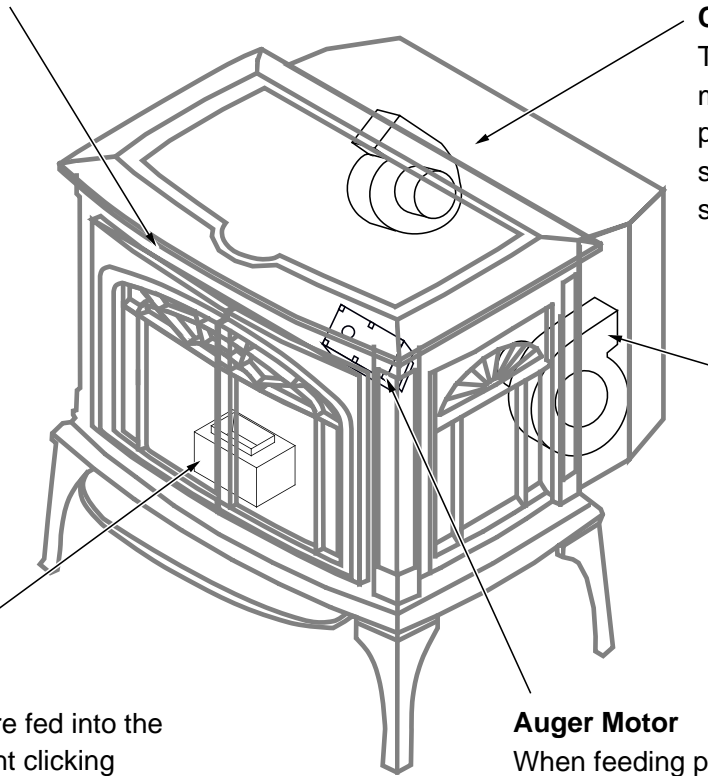
This blower may create a low-pitched hum. This sound will change as the HEAT OUTPUT is altered.

Firepot

As pellets are fed into the firepot, a light clicking sound may be heard.

Auger Motor

When feeding pellets, you may hear the intermittent buzz of this motor running.



WARNING - DO NOT REMOVE OR COVER THIS LABEL



Room Heater,
Pellet Fuel-Burning Type,
Also for Use in Mobile Homes
Model: Leyden PS – Ardor PS



Serial No.:

Tested & Listed by
OMNI-Tech Laboratories, Inc.
Beverton Oregon USA
Report No. 028-S-77-2

Tested to ASTM E 1509, Room Heater Pellet Burning Type (UM) 94 HUD
Electrical Rating: 115VAC, 60Hz, 3 Amp; Start 3 Amps, Run 1.5 Amps
Maximum Input Rating: 5.5 lbs/hr

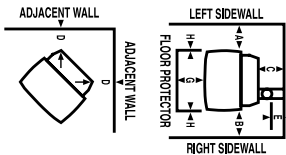
This pellet fired appliance has been tested and listed for use in manufactured (mobile) homes in accordance with OAR 814-23-500 through 814-23-509.
WARNING - FOR MANUFACTURED HOMES: Do not install appliance in a sleeping room. Must utilize outside combustion air (see Part #59200759) or equivalent. Structural integrity of the manufactured home floor, ceiling, and framing must be maintained with the manufacturer's installation and operating instructions. Contact local building or fire officials about restrictions and installation inspection in your area.
Use only 4" diameter listed type "L" or "PL" venting system. See manufacturer's installation instructions and local codes for precautions required for passing chimney through a combustible wall or ceiling. Do not connect this unit to a chimney flue serving another appliance. Inspect and clean exhaust venting system frequently in accordance with manufacturer's instructions.

For use with 1/4" to 5/16" diameter pelletized wood fuels only.
Replace glass only with 5 mm ceramic glass available from your dealer.
DANGER: Risk of electrical shock. Disconnect power supply before servicing. Route power cord away from unit. Do not route power cord beneath heater.
Operate only with viewing door and ash removal tray tightly closed. Do not obstruct combustion air openings. The space beneath heater must not be obstructed. Keep all furnishings away from heater.

Minimum Clearance to Combustible Materials (Measured to Stove Top)

	Interior Vertical Flue Installation	Horizontal Through the Wall Installation
Left Sidewall	A 7"	7"
Right Sidewall	B 7"	7"
Backwall	C **	3"
Corner	D 3"	3"
Flue Vent	E 3"	3"

Maximum above depth 48" minimum ceiling height 55" minimum alcove width 41-1/4".
Combustible floor must be protected by a non-combustible material extending to the front (G) 6" and to the sides (H) 6".
EXCEPTIONS: Non-combustible floor protection must extend beneath a ventline when installed.
** This dimension will vary depending on brand of listed type "L" vent. See manual for details.



U.S. ENVIRONMENTAL PROTECTION AGENCY
This model is exempt from EPA certification under 40 CFR 60.531 by definition [Wood Heater (A) - Air-to-fuel Ratio*].

Date of Manufacture	2006	2007	2008	Jan	Feb	Mar	Apr	May	Jun	Jul	Aug	Sep	Oct	Nov	Dec
	■	■	■	■	■	■	■	■	■	■	■	■	■	■	■

Manufactured in the U.S.A. by:
TRAVIS INDUSTRIES
HOUSE OF FIRE
4800 Harbour Pointe Blvd, SW
Mukilton, VA 98275
0597 (IGN)

To register your TRAVIS INDUSTRIES, INC. 7 Year Warranty, complete the enclosed warranty card and mail it within **ten (10)** days of the appliance purchase date to: TRAVIS INDUSTRIES, INC., 4800 Harbour Pointe Blvd. SW, Mukilteo, WA 98275. TRAVIS INDUSTRIES, INC. warrants this appliance (appliance is defined as the equipment manufactured by Travis Industries, Inc.) to be defect-free in material and workmanship to the original purchaser from the date of purchase as follows:

Check with your dealer in advance for any costs to you when arranging a warranty call. Mileage or service charges are not covered by this warranty. This charge can vary from store to store.

Years 1 & 2 - COVERAGE: PARTS & LABOR

Firebox Assembly:

Firepot, Firepot Holder, Ash Cleanout Doors, Ashbox or Ash Dump, Cast Fireback, Heat Exchanger Tubes, Exhaust Manifold, Exhaust Box

Door Assembly:

Door Frame, Latch Assembly, Glass Retainers

Auger Assembly

Auger Flight, Auger Tube, Auger Bushings

Enamel Finish

Warranted against peeling or fading, excluding chipping, mechanical abrasion, or crazing.

Exclusions: Paint, Gasketing

Ceramic Glass

Glass (breakage from thermal shock)

Igniter System

Igniter, Igniter Leads

Electrical System

Auger Motor, Convection Blower, Exhaust Blower, Circuit Board, Snap Disks, Wiring Harness, Vacuum Switch

Cast Iron Parts

Warranted against breakage, cracking, or burn through

Accessories

Ceramic Log with Log Shelf, Remote

Re-Installation Allowance

In cases where heater must be removed from home for repairs, a partial cost of re-installation is covered (pre-authorization required)

One-Way Freight Allowance

One-way freight allowance on pre-authorized repair done at factory is covered.

Years 3 Through 5 - COVERAGE: PARTS & LABOR

Firebox Assembly:

Firepot, Firepot Holder, Ash Cleanout Doors, Ashbox or Ash Dump, Cast Fireback, Heat Exchanger Tubes, Exhaust Manifold, Exhaust Box

Door Assembly:

Door Frame, Latch Assembly, Glass Retainers

Auger Assembly

Auger Flight, Auger Tube, Auger Bushings

One-Way Freight Allowance

One-way freight allowance on pre-authorized repair done at factory is covered.

Exclusions: Paint, Gasketing, Enamel Finish, Ceramic Glass, Igniter System, Electrical System, Cast Iron Parts, Accessories, Re-Installation Allowance

Years 6 & 7 - COVERAGE: PARTS ONLY

Firebox Assembly:

Firepot, Firepot Holder, Ash Cleanout Doors, Ashbox or Ash Dump, Cast Fireback, Heat Exchanger Tubes, Exhaust Manifold, Exhaust Box

Door Assembly:

Door Frame, Latch Assembly, Glass Retainers

Exclusions: Paint, Gasketing, Enamel Finish, Ceramic Glass, Igniter System, Electrical System, Cast Iron Parts, Accessories, Auger Assembly, Re-Installation Allowance, One-Way Freight Allowance, Labor

CONDITIONS & EXCLUSIONS

1. This new appliance must be installed by a qualified installer. It must be installed, operated, and maintained at all times in accordance with the instructions in the Owner's Manual. Any alteration, willful abuse, accident, neglect, or misuse of the product shall nullify this warranty.
2. This warranty is nontransferable, and is made to the ORIGINAL purchaser, provided that the purchase was made through an authorized Travis dealer.
3. Discoloration and some minor expansion, contraction, or movement of certain parts and resulting noise, is normal and not a defect and, therefore, not covered under warranty.
4. The warranty, as outlined within this document, does not apply to the chimney components or other Non-Travis accessories used in conjunction with the installation of this product. If in doubt as to the extent of this warranty, contact your authorized Travis retailer before installation.
5. Travis Industries will not be responsible for inadequate performance caused by environmental conditions such as nearby trees, buildings, roof tops, wind, hills or mountains or negative pressure or other influences from mechanical systems such as furnaces, fans, clothes dryers, etc.
6. This Warranty is void if:
 - a. The unit has been operated in atmospheres contaminated by chlorine, fluorine or other damaging chemicals.
 - b. The unit is subject to submersion in water or prolonged periods of dampness or condensation.
 - c. Any damage to the unit, combustion chamber, heat exchanger or other components due to water, or weather damage which is the result of, but not limited to, improper chimney/venting installation.
7. Exclusions to this 7 Year Warranty include: injury, loss of use, damage, failure to function due to accident, negligence, misuse, improper installation, alteration or adjustment of the manufacturer's settings of components, lack of proper and regular maintenance, damage incurred while the appliance is in transit, alteration, or act of God.
8. This 7 Year warranty excludes damage caused by normal wear and tear, such as paint discoloration or chipping, worn or torn gasketing, chipped or cracked firebrick, etc. Also excluded is damage to the unit caused by abuse, improper installation, modification of the unit, or the use of fuel other than that for which the unit is configured.
9. Damage to gold or nickel surfaces caused by fingerprints, scratches, melted items, or other external sources left on the gold or nickel from the use of cleaners other than denatured alcohol is not covered in this warranty.
10. TRAVIS INDUSTRIES, INC. is free of liability for any damages caused by the appliance, as well as inconvenience expenses and materials. Incidental or consequential damages are not covered by this warranty. In some states, the exclusion of incidental or consequential damage may not apply.
11. This warranty does not cover any loss or damage incurred by the use or removal of any component or apparatus to or from the Travis appliance without the express written permission of TRAVIS INDUSTRIES, INC. and bearing a TRAVIS INDUSTRIES, INC. label of approval.
12. Any statement or representation of Travis products and their performance contained in Travis advertising, packaging literature, or printed material is not part of this 7 year warranty.
13. This warranty is automatically voided if the appliance's serial number has been removed or altered in any way. If the appliance is used for commercial purposes, it is excluded from this warranty.
14. No dealer, distributor, or similar person has the authority to represent or warrant Travis products beyond the terms contained within this warranty. TRAVIS INDUSTRIES, INC. assumes no liability for such warranties or representations.
15. Travis Industries will not cover the cost of the removal or re-installation of hearths, facing, mantels, venting or other components.
16. If for any reason any section of this warranty is declared invalid, the balance of the warranty remains in effect and all other clauses shall remain in effect.
17. This 7 year warranty is the only warranty supplied by Travis Industries, Inc., the manufacturer of the appliance. All other warranties, whether express or implied, are hereby expressly disclaimed and purchaser's recourse is expressly limited to the warranties set forth herein.

IF WARRANTY SERVICE IS NEEDED:

1. If you discover a problem that you believe is covered by this warranty, you MUST REPORT it to your Travis dealer WITHIN 30 DAYS, giving them proof of purchase, the purchase date, and the model name and serial number.
2. Travis Industries has the option of either repairing or replacing the defective component.
3. If your dealer is unable to repair your appliance's defect, he may process a warranty claim through TRAVIS INDUSTRIES, INC., including the name of the dealership where you purchased the appliance, a copy of your receipt showing the date of the appliance's purchase, and the serial number on your appliance. At that time, you may be asked to ship your appliance, freight charges prepaid, to TRAVIS INDUSTRIES, INC. TRAVIS INDUSTRIES, INC., at its option, will repair or replace, free of charge, your appliance if it is found to be defective in material or workmanship within the time frame stated within this 7 year warranty. TRAVIS INDUSTRIES, INC. will return your appliance, freight charges (years 1 to 5) prepaid by TRAVIS INDUSTRIES, INC., to your regional distributor, or dealership.
4. Check with your dealer in advance for any costs to you when arranging a warranty call. Mileage or service charges are not covered by this warranty. This charge can vary from store to store.

"AUGER ON" Light.....	25	Loading Pellets	21
"FAULT" Light.....	25	Location of Controls.....	20
"MANUAL AUGER" Button.....	25	Make Sure Pellets are Not Piling Up.....	27
Adjusting the Door Hinge and Latch	37	Manual Mode	22
Adjusting the Fan Speed.....	24	Maximum Venting Distance.....	9
Alcove Installation Requirements.....	12	Mobile Home Requirements.....	11
Auto Mode.....	23	Normal Operating Sounds.....	39
Baffle Installation.....	12	Outside Air (used for combustion).....	11
Before You Begin.....	7	Packing List	7
Bi-Weekly Maintenance (or every 10 bags of pellets).....	30	Pellet Vent Termination.....	10
Check Ashpan, Dispose if necessary.....	33	Pellet Vent Type.....	10
Check Firepot for Clinkers.....	28	Planning The Installation.....	7
Check for Air Leaks Around the Door, Glass, and Ashpan	37	Power Outages	25
Clean the Baffles	31	Replacement Parts	38
Clean the Convection Blower.....	37	Restrictor Adjustment.....	12
Clean the Exhaust Blower.....	36	Restrictor Adjustment.....	24
Clean the Glass.....	33	Safety Label.....	40
Clean the Heat Exchange Tubes	30	Safety Notice.....	20
Clean the Hopper	30	Safety Precautions.....	4
Clean the Vent.....	37	Starting the Heater for the First Time.....	20
Clean the Vertical Exhaust Duct.....	34	Start-Up Sequence	25
Cleaning the Firepot.....	28	Stove Placement.....	7
Clearances - Corner Installation.....	8	Sweep Ash Into Ashpan.....	32
Clearances - Straight Installation	8	The Two Modes of Operation.....	21
Daily Maintenance (whenever using the stove).....	27	Thermostat Installation.....	13
Dimensions.....	6	Using a Pellet/Corn Mix with This Heater.....	26
Door Opening.....	29	Venting the Pellet Stove.....	9
Door Seal Verification	12	Warranty.....	41
Electrical Specifications.....	6	Yearly Maintenance (or every two tons).....	34
EPA Compliance.....	6		
Fault Codes (for qualified service personnel only).....	25		
Floor Protection Requirements.....	7		
Flyash Removal.....	30		
Fuel.....	6		
Heating Specifications.....	6		
Important Information	2		
Inspect the Burn.....	27		
Installation Example: Class A Chimney Retrofit.....	16		
Installation Example: Direct "Through-the-wall" Installation.....	14		
Installation Example: Freestanding Masonry Chimney.....	19		
Installation Example: Interior Vertical Installation	15		
Installation Example: Masonry Fireplace Hearth Stove.....	17		
Installation Example: Zero-Clearance (Metal) Fireplace Hearth Stove	18		
Installation Options.....	7		
Installing the Pellet Vent.....	10		
Introduction.....	2		

Free Manuals Download Website

<http://myh66.com>

<http://usermanuals.us>

<http://www.somanuals.com>

<http://www.4manuals.cc>

<http://www.manual-lib.com>

<http://www.404manual.com>

<http://www.luxmanual.com>

<http://aubethermostatmanual.com>

Golf course search by state

<http://golfingnear.com>

Email search by domain

<http://emailbydomain.com>

Auto manuals search

<http://auto.somanuals.com>

TV manuals search

<http://tv.somanuals.com>