

Lucent Technologies
Bell Labs Innovations



CIB 3140
(533B) Memory Module (61227A)
(106433691)

CIB 3140
Comcode 106433691
Issue 2
January 1997

Memory Module

When installed in the MERLIN® Plus system control unit, this memory module (Figure 1) upgrades your system to the MERLIN Plus Communications System Release 2.

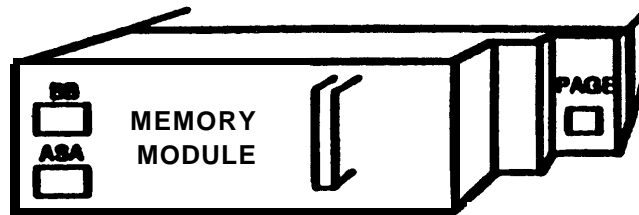


Figure 1

MERLIN Plus Communications System Release 2 Memory Module

The new system features available with this memory module are listed below. For further information about each feature, refer to Section 5, "Reference," of your new *MERLIN Plus Communication System Release 2 System Manual*.

- Automatic System Access Features
 - > Call Forwarding (CF)
 - > Direct Extension Dialing (DXD)
 - > Remote Line Access (RLA)
 - > System Answer (SA)
- Busy Buster
- Disallowed Lists
- Exclusive Hold
- Hold Disconnect Interval
- Program Mode Lock
- Voice Terminal Template

NOTE: Some programming operations also vary for the MERLIN Plus Communications System Release 2. Refer to your new System Manual for further information. This memory module comes with two 2-foot (D4BU) modular cords. These cords are used to connect the Busy Buster (BB) and Automatic System Access (ASA) features as explained in Section 5 of your new System Manual.

NOTE: This memory module also houses a battery that preserves all programming for at least four days in case of a power failure.

In addition, a 450F adapter is included to provide a connection between the control unit and the Data Collector, and to allow the Data Collector and the Busy Buster feature to share the same jack on the voice terminal module. Refer to the Addendum to CIB 3051 for installation instructions.

INSERTING AND REMOVING THE MEMORY MODULE

Follow the procedures listed below for inserting and removing this memory module.

NOTE: You will have to readminister and reprogram your voice terminals after you have installed this memory module.

WARNING: Make sure the power cord is unplugged and the power switch on the control unit is set to *Off* before you insert or remove any modules. You risk damage to the system and the modules if the power is on during the installation procedure.

- 1 Remove the front cover from the control unit by pressing down on the two top corner tabs and putting the top away from the control unit (Figure 2).
- 2 Remove the top cover by first unscrewing the screw located at the center bottom of the cover. (This screw is designed to stay in the hole of the cover after it has been removed from the control unit.) Then press down on the tab located at the center of the top and back edge and pull the top cover away (Figure 2).
- 3 To remove the old memory module, depress the tab on top of the module labeled Press To Remove, grasp the plastic handle on the front of the memory module and pull the memory module out of the control unit.

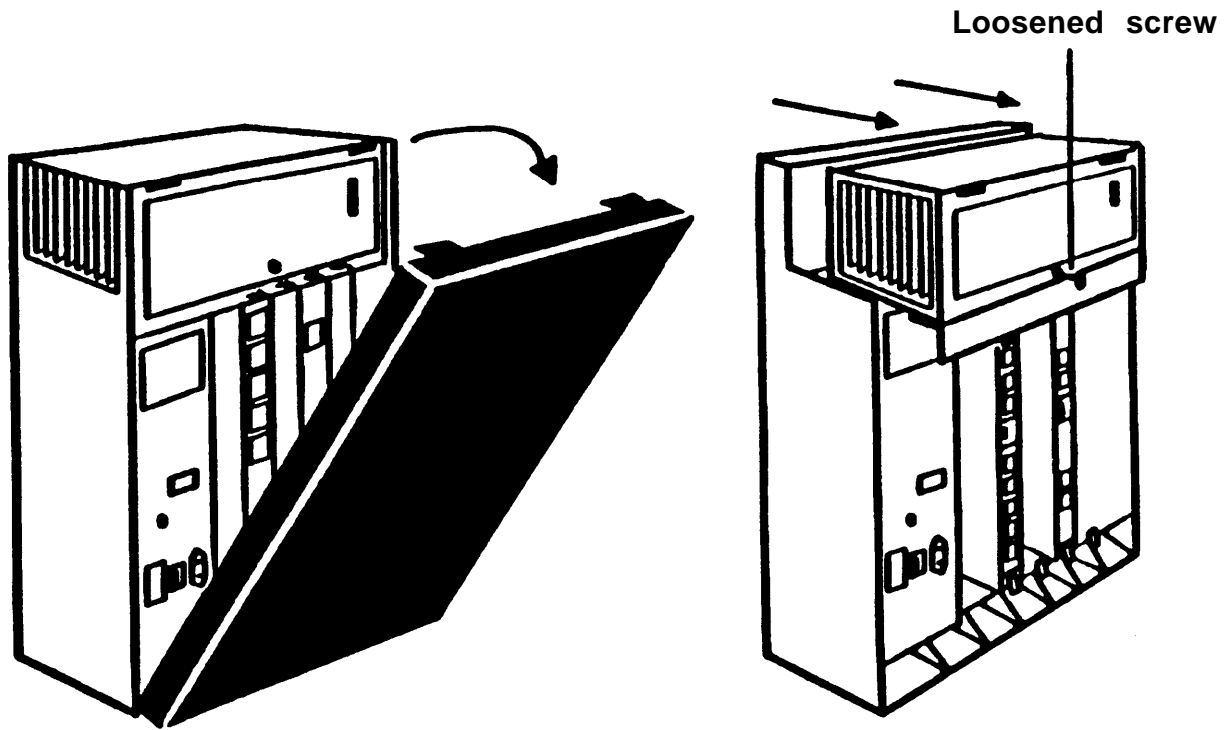


Figure 2
Removing the Front and Top Covers From the control Unit

- 4 To Insert the new memory module, first grasp its plastic handle on the front and align the four pin guides at each corner of the module with the rectangular opening at the top of the control unit (Figure 3).
- 5 Push the module in until the gold pins insert fully into their receptacle. The module will snap into place.
- 6 Replace the control unit top cover.
- 7 If you are using the Busy Buster feature or any of the Automatic System Access features (CF, DXD, RLA, SA), refer to Section 8, "Installation" of your new System Manual to connect the modular cords

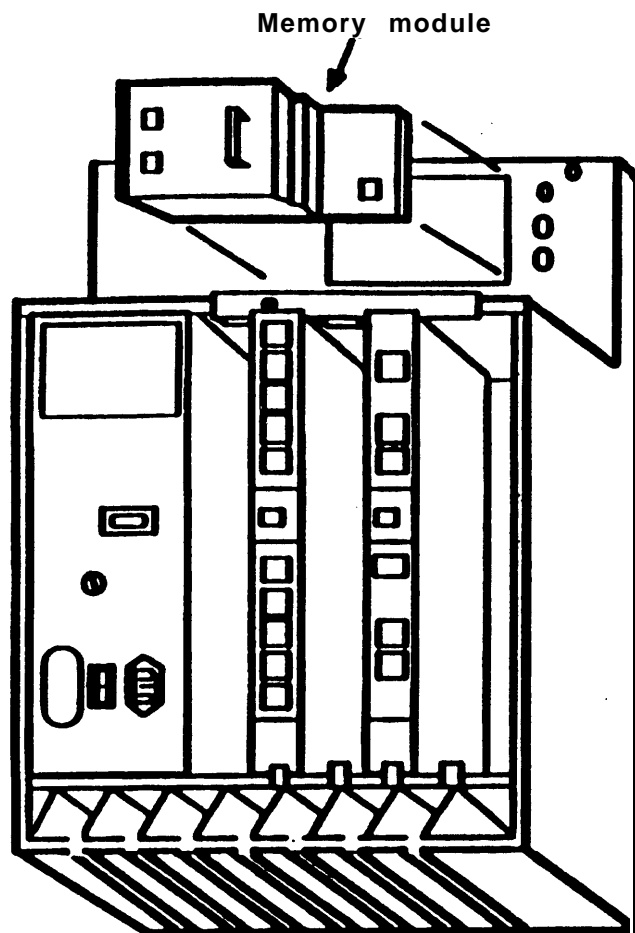


Figure 3

Inserting and Removing the Memory Module

8 Plug the power cord back into the outlet and set the power switch on the control unit to *On*.

9 Replace the front cover on the control unit.

Remember, you will have to readminister and reprogram your sets as described in Section 3, "Administering the System," of your new System Manual.

Customer Administerable Timer

The Customer Administerable Timer is used in conjunction with the Call Forwarding and Remote Line Access features. The timer disconnects calls made via Call Forwarding and/or Remote Line Access after these calls reach a system-wide call duration limit. The Customer Administerable Timer can be set to a value of from 1 to 999 minutes.

To administer the Customer Administerable Timer:

1. Enter administration mode by sliding the T/P switch to P and touching **Administer**.
2. Dial ***68**.
3. Dial the desired three-digit timer value. Three digits must be dialed. For example, a timer value of 1 minute would be dialed as *001*, a value of 10 minutes would be dialed as *010*, and a value of 120 minutes (2 hours) would be dialed as *120*. To reset the timer to its default value of no time limit, dial *000*.
4. Touch **Administer**. *The console beeps twice.*
5. Leave administration by sliding the T/P switch to the center position.



RECYCLED PAPER

Lucent Technologies
Bell Labs Innovations



Copyright © 1996, Lucent Technologies
All Rights Reserved
Printed in U.S.A.

Free Manuals Download Website

<http://myh66.com>

<http://usermanuals.us>

<http://www.somanuals.com>

<http://www.4manuals.cc>

<http://www.manual-lib.com>

<http://www.404manual.com>

<http://www.luxmanual.com>

<http://aubethermostatmanual.com>

Golf course search by state

<http://golfingnear.com>

Email search by domain

<http://emailbydomain.com>

Auto manuals search

<http://auto.somanuals.com>

TV manuals search

<http://tv.somanuals.com>