


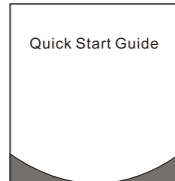

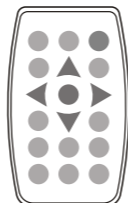
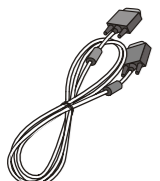
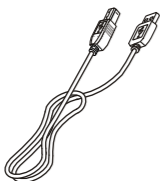
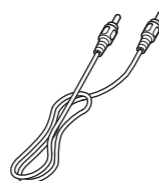
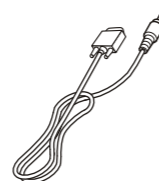
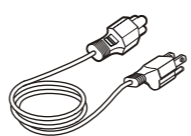



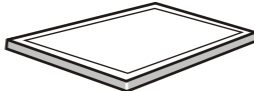

# DC166 Quick Start Guide

## ⚠ Important

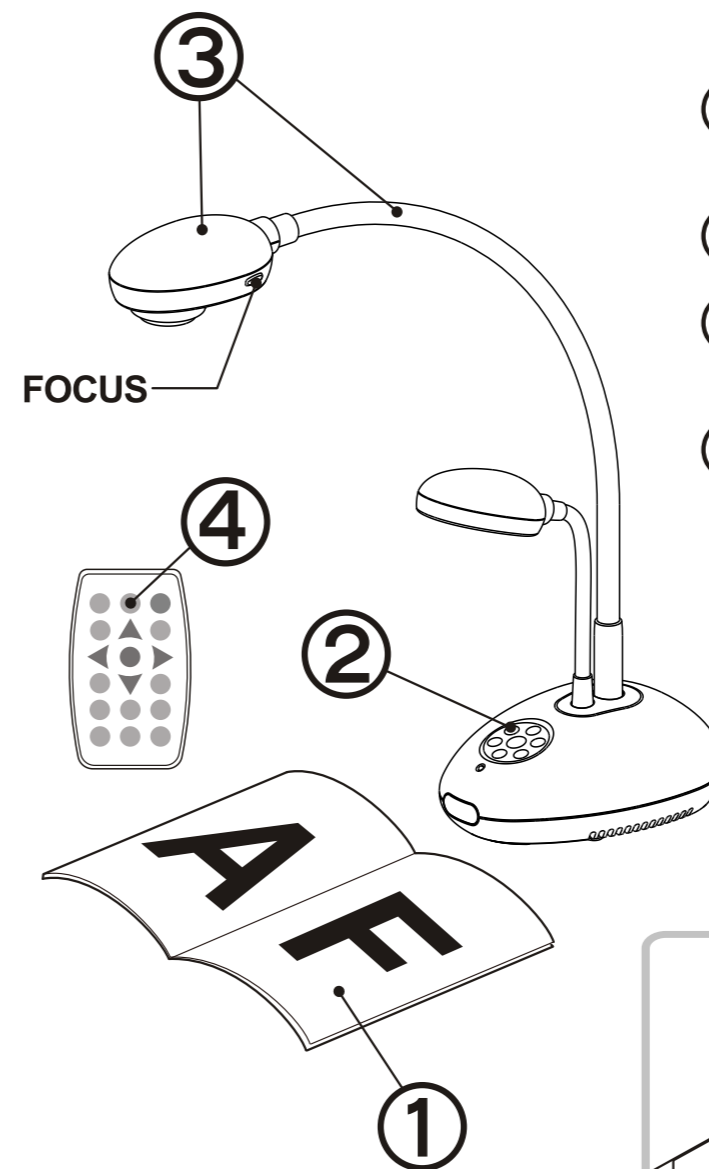
\* Please activate your warranty at [www.lumens.com.tw/reg](http://www.lumens.com.tw/reg)



\* Please visit our website [www.lumens.com.tw/goto.htm](http://www.lumens.com.tw/goto.htm) to download latest version of Software, Multilingual User Manual and Quick Start Guide.

## 1. Package Contents

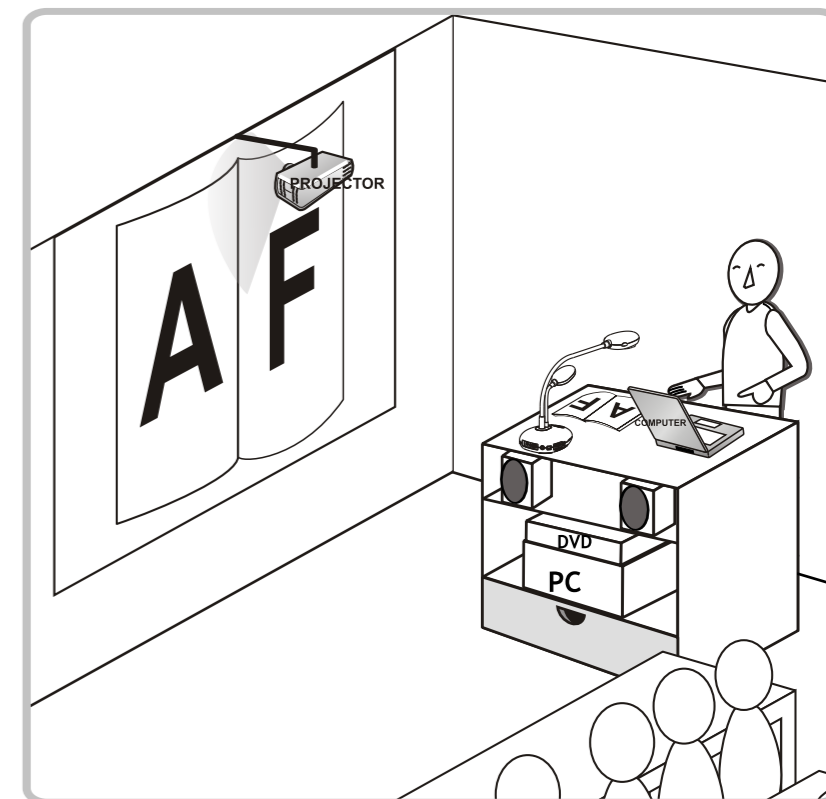
<p><b>Main Unit</b></p> 	<p><b>Quick Start Guide</b></p>  <p>* To download this manual in other languages, visit Lumens website</p>	<p><b>VESA Base Installation Guide</b></p> 	<p><b>Remote control</b></p> 	
<p><b>VGA Cable</b></p> 	<p><b>USB Cable</b></p> 	<p><b>C-Video Cable</b></p> 	<p><b>RS232 Adapter (Optional)</b></p> 	<p><b>Power Cord</b></p>  <p>* Appearance may vary in different countries</p>
<p><b>Microscope Adapter</b></p> 	<p><b>Accessory Pouch</b></p> 	<p><b>Presenter Protector Bag</b></p> 	<p><b>Backlight (Optional)</b></p> 	<p><b>Padded Carry Bag (Optional)</b></p> 

## 2. Getting Started



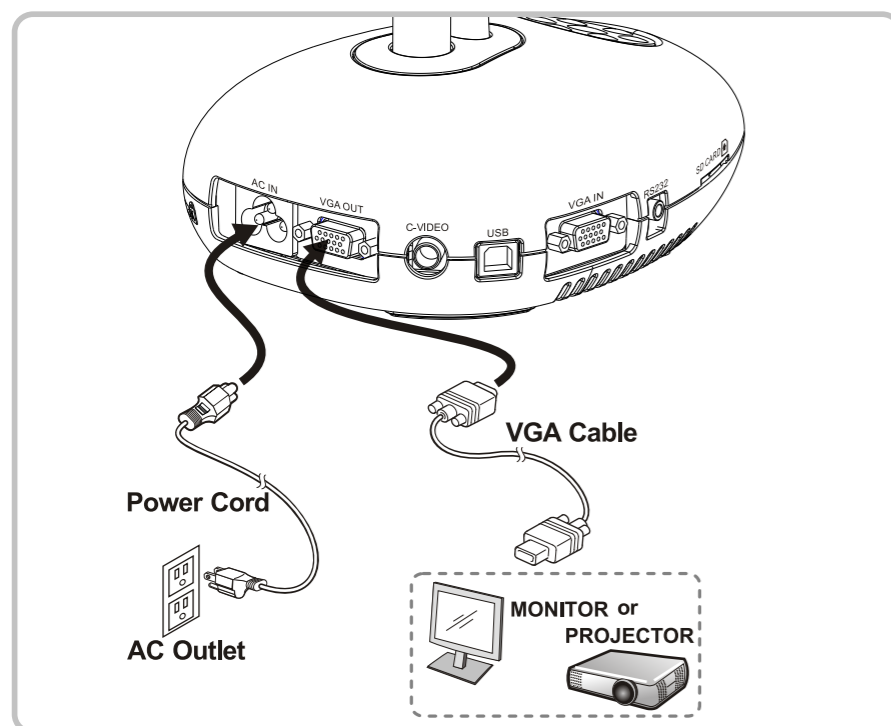
- ① Place an object to be displayed under the camera.
- ② Turn the power on. 
- ③ Adjust the gooseneck and lens to appropriate position.
- ④ Press the [ AUTO TUNE ]  button to optimize the image. You are ready to teach / present.

\* Each time the camera head is moved, press the [ FOCUS ] button to refocus the lens.

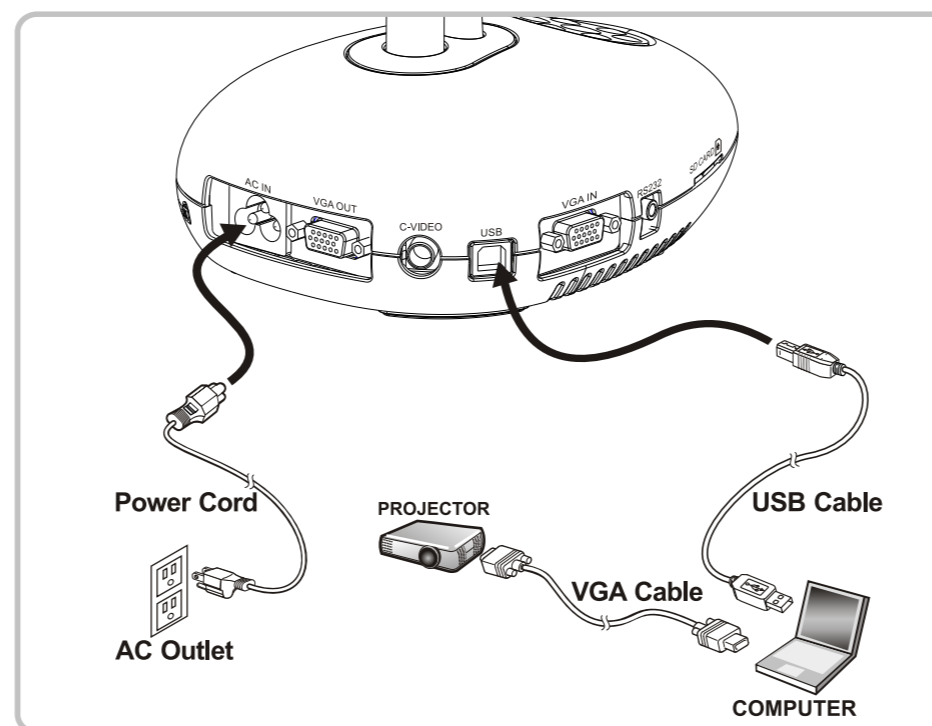


# 3. Installation & Connection

## ▼ Connect to a Projector or Monitor

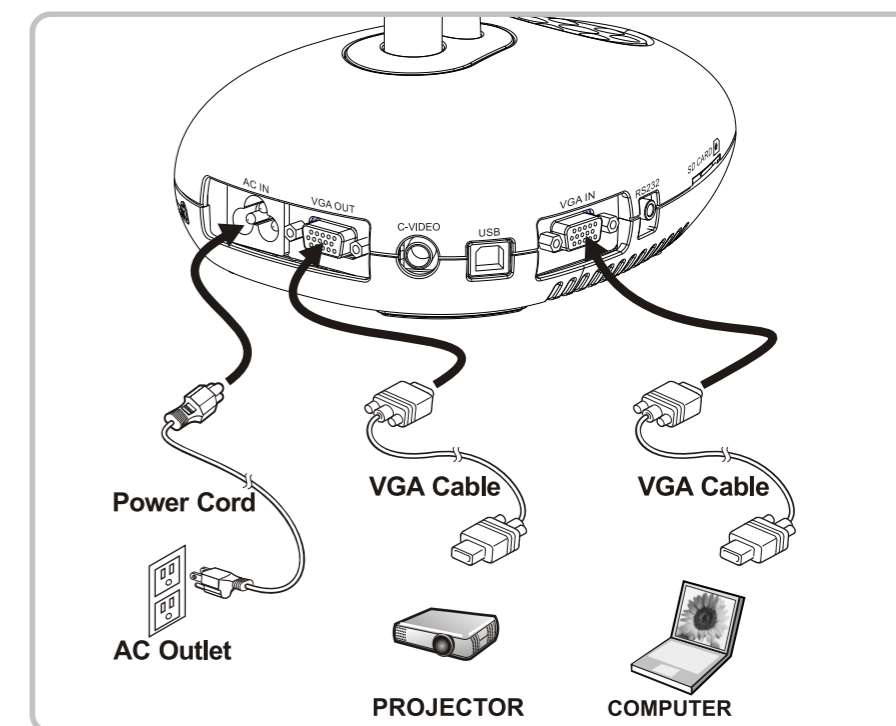


## ▼ Connect to a Computer and Use Lumens' Software.



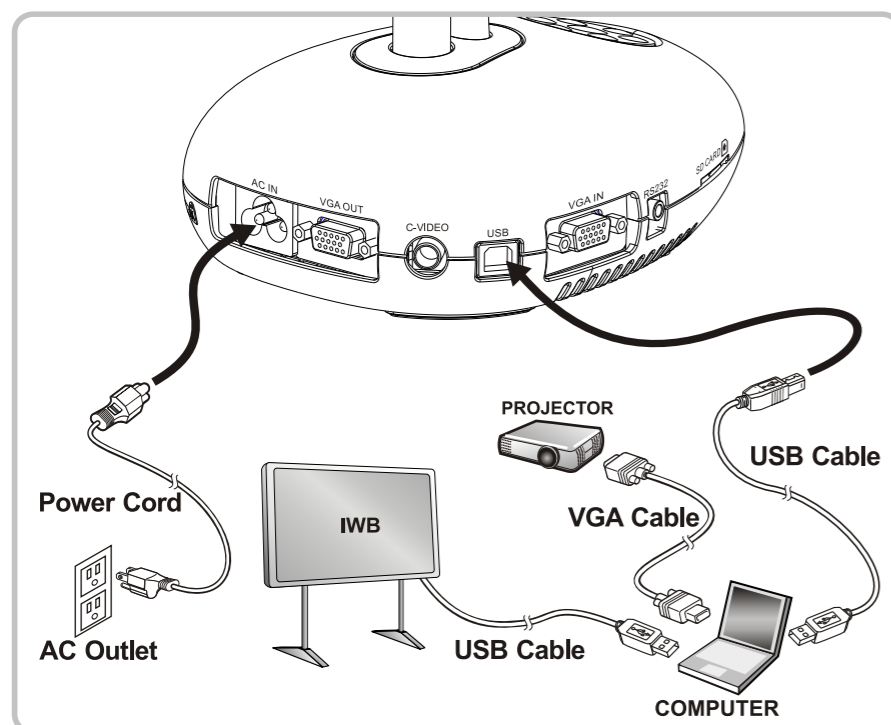
\* Driver and software can be downloaded from Lumens website.

## ▼ Connect a Projector, Computer simultaneously

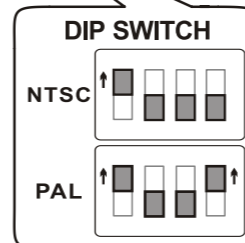
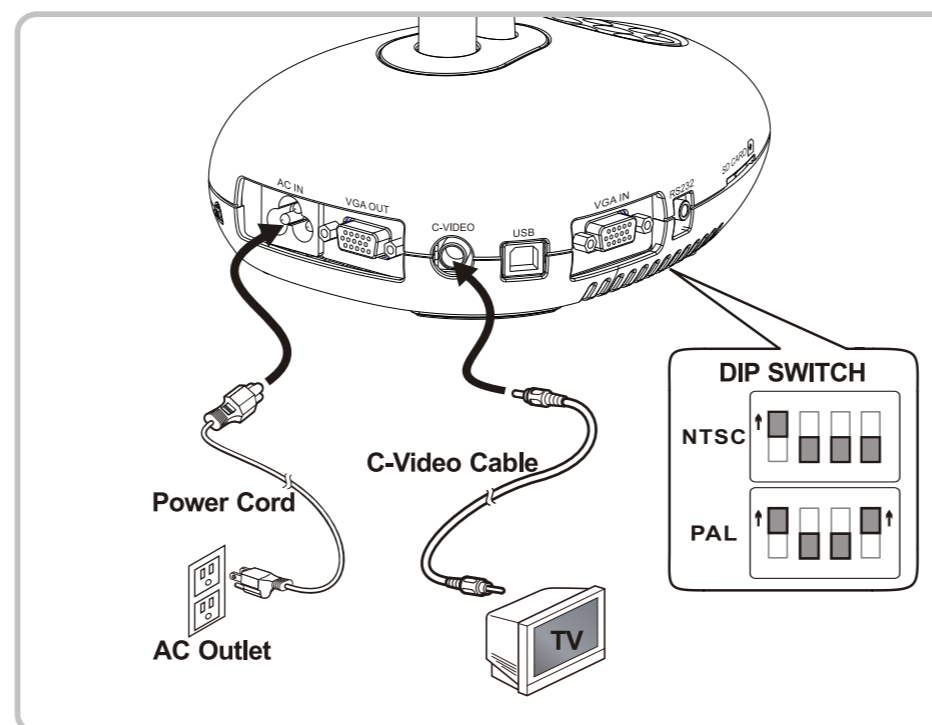


\* Press [ SOURCE ] to change image source from Computer.

## ▼ Connect to an Interactive Whiteboard (IWB)



## ▼ Connect to a TV

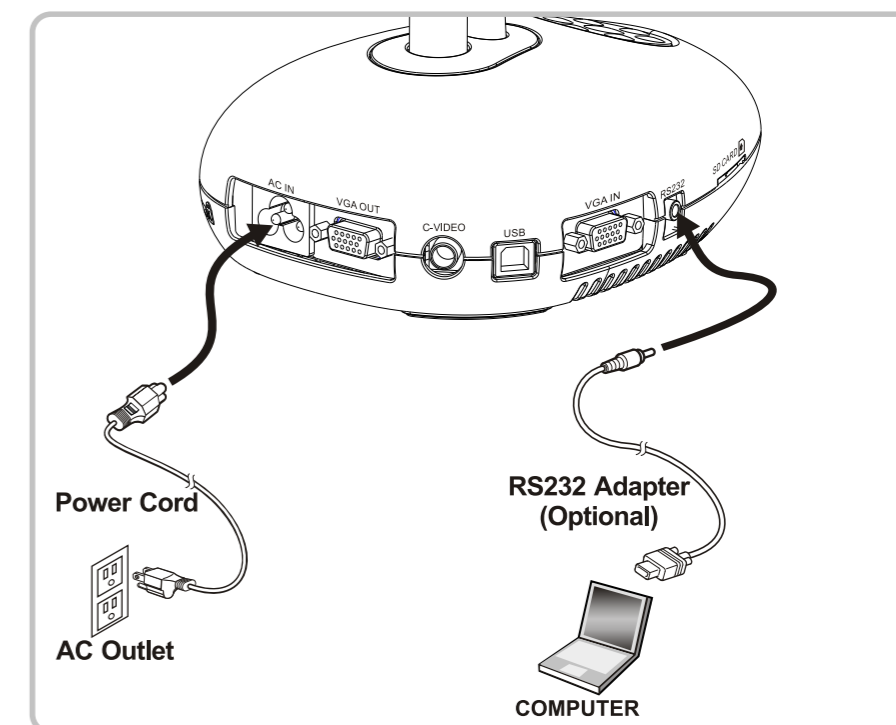


\* NTSC: USA, CANADA, MEXICO, PANAMA, CHILE, JAPAN, TAIWAN, KOREA AND PHILIPPINES.

\* PAL: Country / region not listed above.

\* After the unit is re-started, new DIP switch configuration is effective.

## ▼ Connect to an Computer via RS232



## Free Manuals Download Website

<http://myh66.com>

<http://usermanuals.us>

<http://www.somanuals.com>

<http://www.4manuals.cc>

<http://www.manual-lib.com>

<http://www.404manual.com>

<http://www.luxmanual.com>

<http://aubethermostatmanual.com>

Golf course search by state

<http://golfingnear.com>

Email search by domain

<http://emailbydomain.com>

Auto manuals search

<http://auto.somanuals.com>

TV manuals search

<http://tv.somanuals.com>