

566DG Ortho-Biotic Clinical Care Drop Arm Recliner

Operating Instructions



566DG-INS-LAB

© Graham-Field Health Products 2005

**IMPORTANT: READ THIS MANUAL BEFORE OPERATING
YOUR ORTHO-BIOTIC CLINICAL CARE DROP ARM RECLINER**

WARNINGS

- ⚠ **Warning: Read entire sheet before assembly or operation.**
- ⚠ **Warning: Occupant weight should not exceed 350 lbs.**
- ⚠ **Warning: Periodically inspect all parts and replace as needed.**
- ⚠ **Warning: Casters must be locked at all times, except during transit.**
- ⚠ **Warning: Do not use near open flame, as the chair may be a “combustion source”.**

CARE & MAINTENANCE

Every three months:

- Check and clean casters • tighten nuts • check brakes on casters •
- check and clean lock recline mechanism •

Check recliner mechanism for operation in all positions with assistant seated in recliner.

For upholstery maintenance and stain removal, the following hints will be helpful:

Ordinary Dirt: Wash with warm water and a mild soap or detergent.

Stubborn Dirt: Using a soft bristle brush, follow directions above.

Ground-in Dirt: Scrub with powdered cleanser or similar detergent.

Chewing Gum: Scrape carefully; remove with kerosene or naphtha.

Nail Polish and Remover: Blot immediately to prevent damage.

Ball Point Pen: Blot immediately with a white cloth dampened in water or mineral oil.

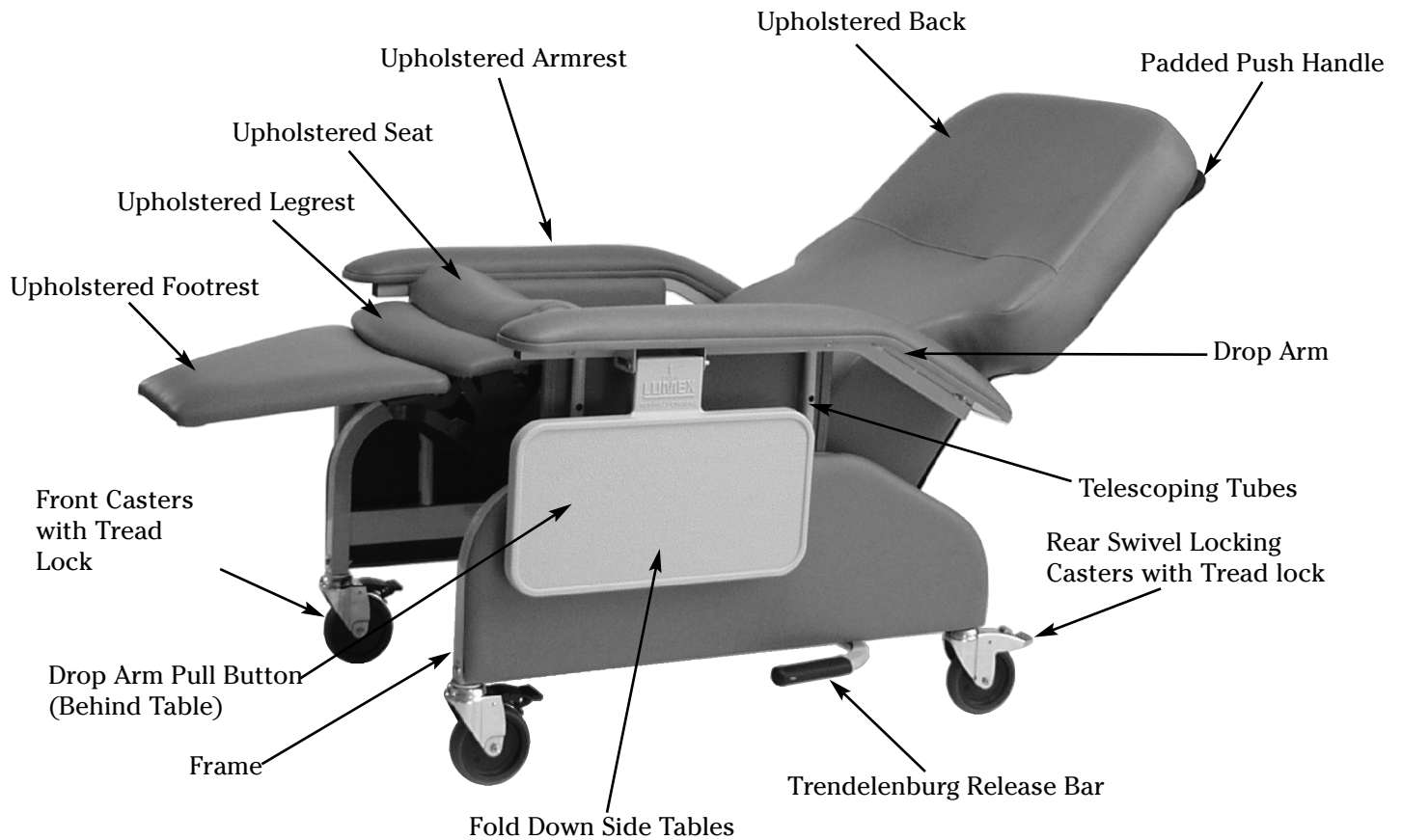
Paint, Shoe Polish, Heel Marks: Remove immediately! Use a white cloth dampened in kerosene, naphtha or turpentine. Do not use paint remover or liquid brush cleaners.

Tars, Asphalt, Creosote: Remove to prevent staining. Clean area with kerosene or naphtha.

Caution: When using kerosene or naphtha, do so in a well ventilated area and keep away from fire and flame.

Waxing and Refinishing: Improves wearability. Use any quality paste wax.

A diluted solution of 10% (or less) of bleach or Clorox may be used when cleaning this chair.



To Operate Drop Arm

To Drop Arm:

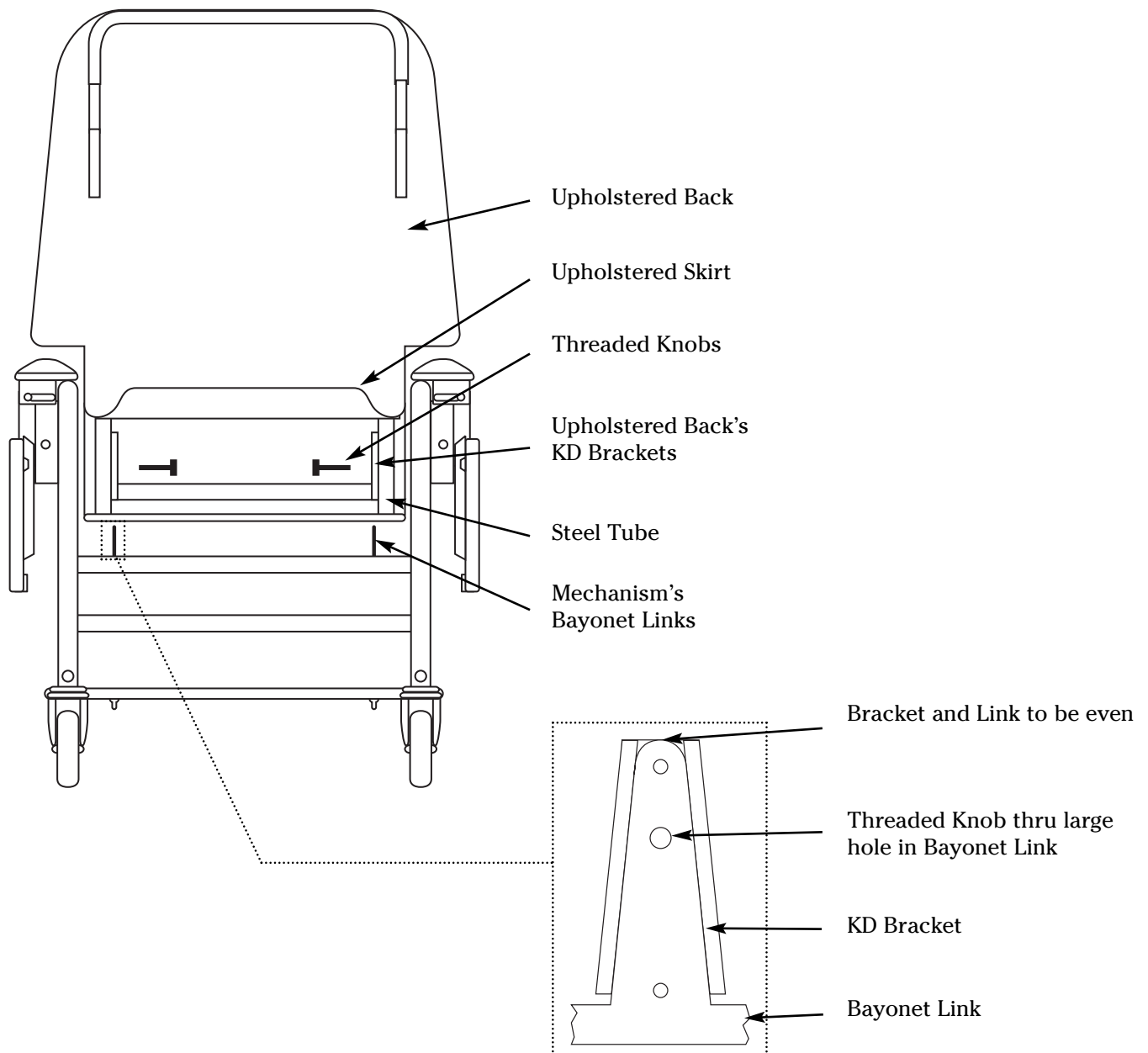
1. Lift fold down Side table away from frame to expose button.
2. Pull button out while gently pushing down on center of armrest until arm is in the full down position.

To Raise Arm:

1. Grasp armrest with one hand and pull upwards while pulling pull button out. Pull up on arm evenly until pull button locks into place.
2. Ensure arm is secure by pushing down on center of armrest.

UPHOLSTERED BACK ASSEMBLY

1. Lift the skirt on the rear of the upholstered back, fasten skirt up with a small piece of tape to fully expose the "KD Bracket" that are to be mated to the recliner mechanism.
2. Carefully guide upholstered back onto the mechanism inserting both "bayonet links" at the same time thru cutouts in vinyl.
3. Push down on the back until the mechanism "bayonet links" are properly engaged into the upholstered back "KD Brackets". The top of bayonet link should be even with top of KD Bracket. (See fig. 1)
4. Once back is properly seated onto mechanism insert the threaded knob thru "bayonet link", 'ED Bracket" and steel tube. Secure hand tight.
5. Remove tape lower upholstery skirt and secure to Velcro.



CASTER OPERATION (FRONT)

NOTE: This chair is equipped with four casters for improved maneuverability. The front casters are equipped with tread locks.

To Lock: Step on the back edge of the black pedal until it latches and stays down.

To Unlock: Step on the top edge of the pedal.

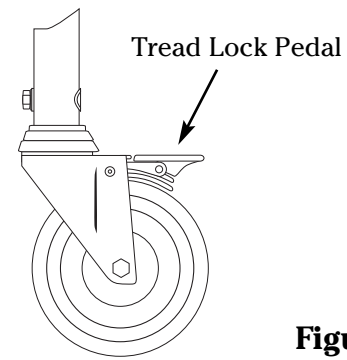


Figure 5

CASTER OPERATION (REAR)

NOTE: The chair is equipped with four casters for improved maneuverability. Right rear caster is also equipped with locking features. Swivel lock will aid the chair in rolling straight.

Lock: To prevent the rear casters from swiveling and wheel turning, step on the rear pedal of the caster until it latches.

Unlock: Step on middle button to unlatch.

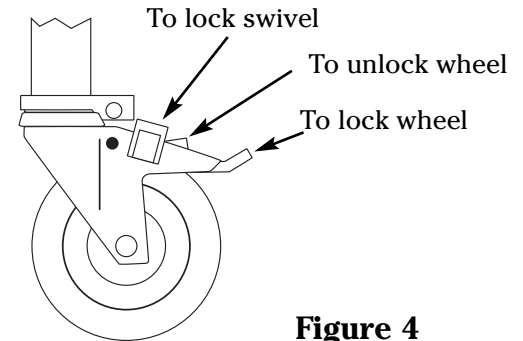
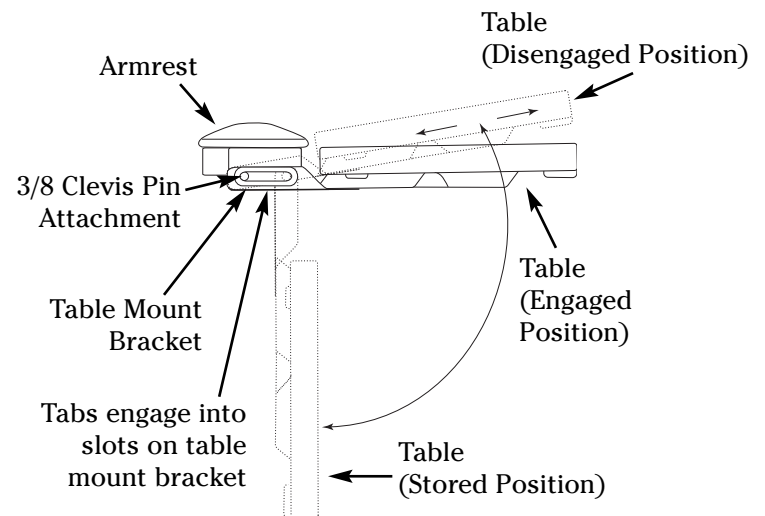


Figure 4

TABLE OPERATION

To Raise: Raise table all the way up and slide in toward the armrest until tabs engage slots in mount bracket. Press down lightly on table to ensure lock tabs are engaged.

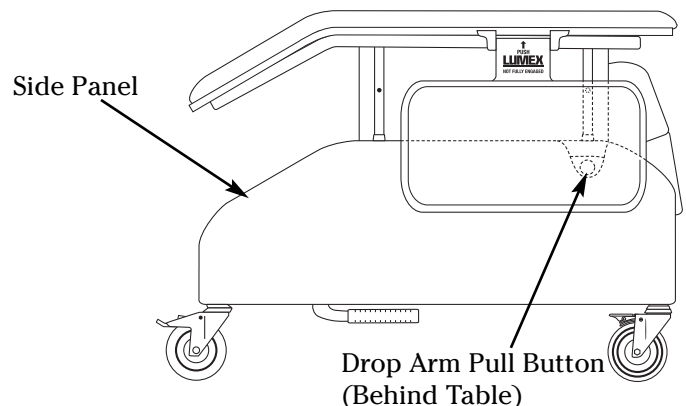
To Lower: Lift table up until tabs disengage slots and pull table away from armrest. Lower table to self-storing position.



SIDE PANEL REMOVAL

To Remove: Grasp upholstered side panel at back of panel and pull sharply out from chair until locking clips release side panel.

To Install: Insert side panel into chair frame by lining up side panel clips with tubes on frame and pushing firmly.



SEAT POSITIONING

Reclining by Patient: Place hands on armrest and push body against chair's back to recline yourself to desired position. To bring yourself up, place hands on armrest and pull yourself up while leaning your body forward away from the chair's back.

Reclining by Attendant: Standing on either side of the chair, grasp the armrest with one hand and push handle with the other hand. Push back on push handle to recline and pull forward to raise the chair.



Upright Position



TV Position



Infinite Position Between TV and Full Recline

TRENDELENBURG POSITION:

Standing on either side of the chair, grasp the armrest with one hand while holding the recliner back with the other. With your foot, push down on the release bar while gently pushing down with your hand on the recliner's back until it comes to a stop. To bring chair out of Trendelenburg, stand on either side of the chair, grasp the armrest with one hand and push handle with the other hand and pull forward on the push handle.



Trendelenburg Position

U.S.A., Corporate Headquarters:

Graham-Field Health Products
2935 Northeast Parkway
Atlanta, Georgia 30360
telephone: 800-347-5678, 770-447-1609
fax: 800-726-0601, 678-291-3232



<http://www.grahamfield.com>

Free Manuals Download Website

<http://myh66.com>

<http://usermanuals.us>

<http://www.somanuals.com>

<http://www.4manuals.cc>

<http://www.manual-lib.com>

<http://www.404manual.com>

<http://www.luxmanual.com>

<http://aubethermostatmanual.com>

Golf course search by state

<http://golfingnear.com>

Email search by domain

<http://emailbydomain.com>

Auto manuals search

<http://auto.somanuals.com>

TV manuals search

<http://tv.somanuals.com>