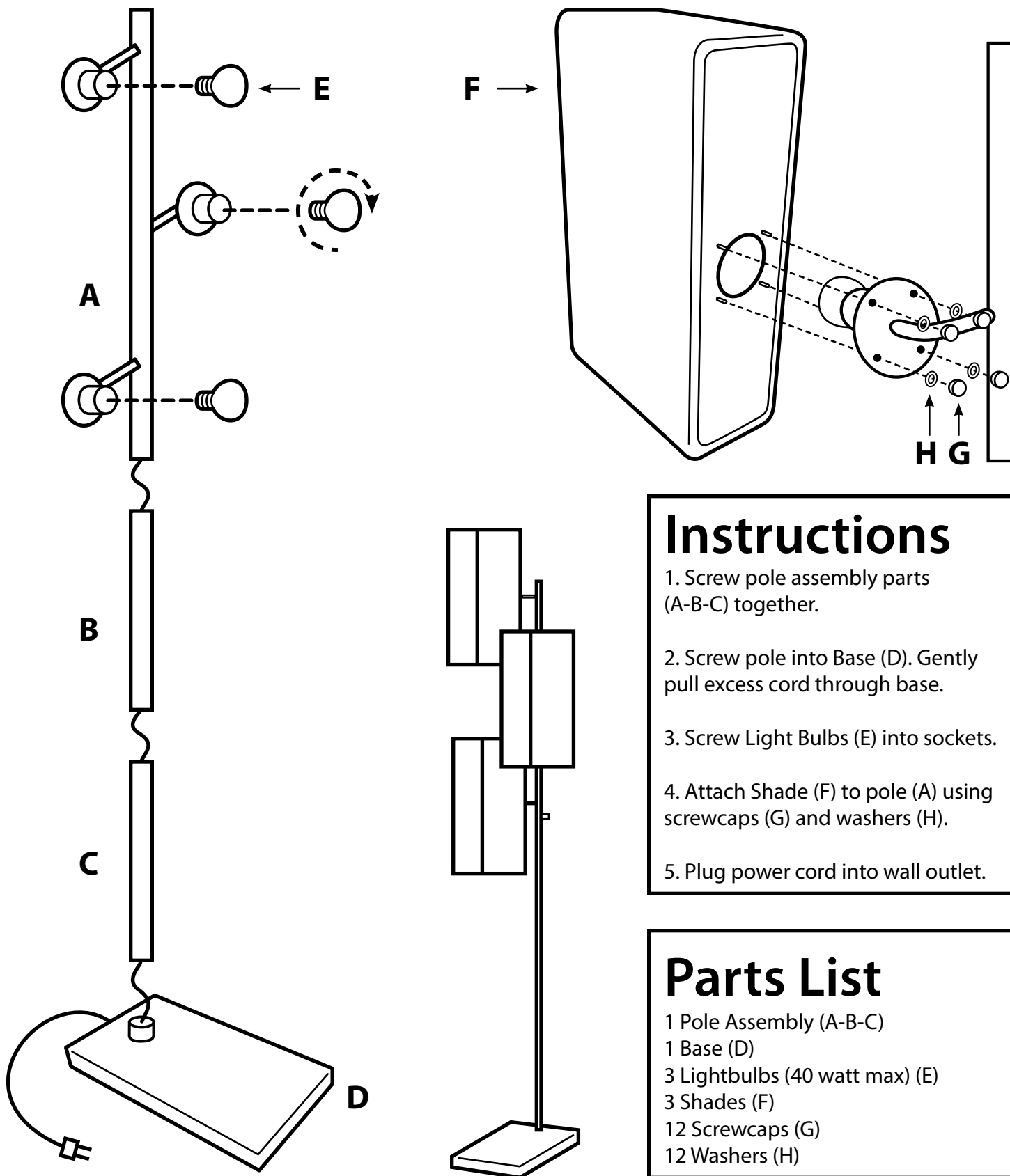


Part # LS-VIVIDFL XX

July 2009



Instructions

1. Screw pole assembly parts (A-B-C) together.
2. Screw pole into Base (D). Gently pull excess cord through base.
3. Screw Light Bulbs (E) into sockets.
4. Attach Shade (F) to pole (A) using screwcaps (G) and washers (H).
5. Plug power cord into wall outlet.

Parts List

- 1 Pole Assembly (A-B-C)
- 1 Base (D)
- 3 Lightbulbs (40 watt max) (E)
- 3 Shades (F)
- 12 Screwcaps (G)
- 12 Washers (H)

Free Manuals Download Website

<http://myh66.com>

<http://usermanuals.us>

<http://www.somanuals.com>

<http://www.4manuals.cc>

<http://www.manual-lib.com>

<http://www.404manual.com>

<http://www.luxmanual.com>

<http://aubethermostatmanual.com>

Golf course search by state

<http://golfingnear.com>

Email search by domain

<http://emailbydomain.com>

Auto manuals search

<http://auto.somanuals.com>

TV manuals search

<http://tv.somanuals.com>