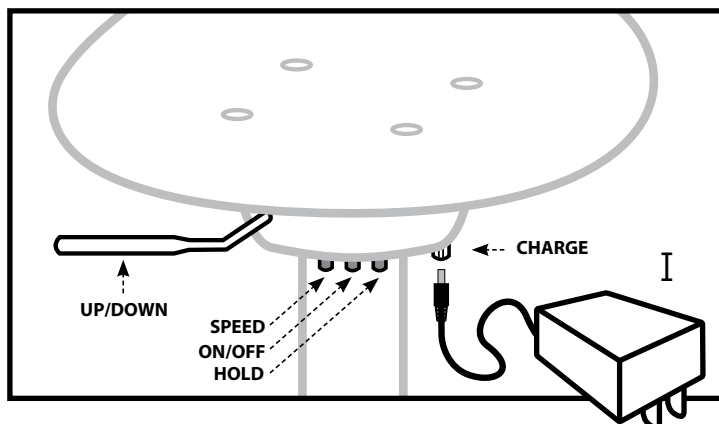


Part # BS-SPYRA

December 2010



Instructions

Assembly

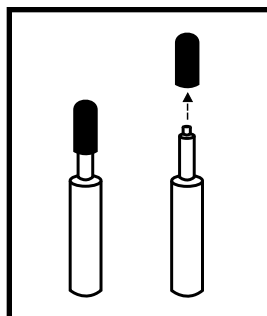
1. Remove protective cap from Hydraulic pole (G).
2. Insert Hydraulic pole (G) into Base (H).
3. Place Metal pole (E) over Hydraulic pole (G).
4. Insert LED Mechanism (D) into Metal Pole (E).
5. Place Seat (A) over LED Mechanism (D) and Metal pole (E).
6. Secure by placing Screws (B) and Washers (C) into Seat (A). Fasten Screws (B) and Bolts (F).
7. Carefully sit on Seat (A) to secure.

Operation

1. Charge internal battery using Adaptor (I).
NOTE: Bar stool MUST be turned off charge.
2. Push SPEED button to regulate color phasing.
3. Push ON/OFF button to turn LEDs on and off.
4. Push HOLD button to pause LEDs on specific colors.
3. Adjust height using lever.

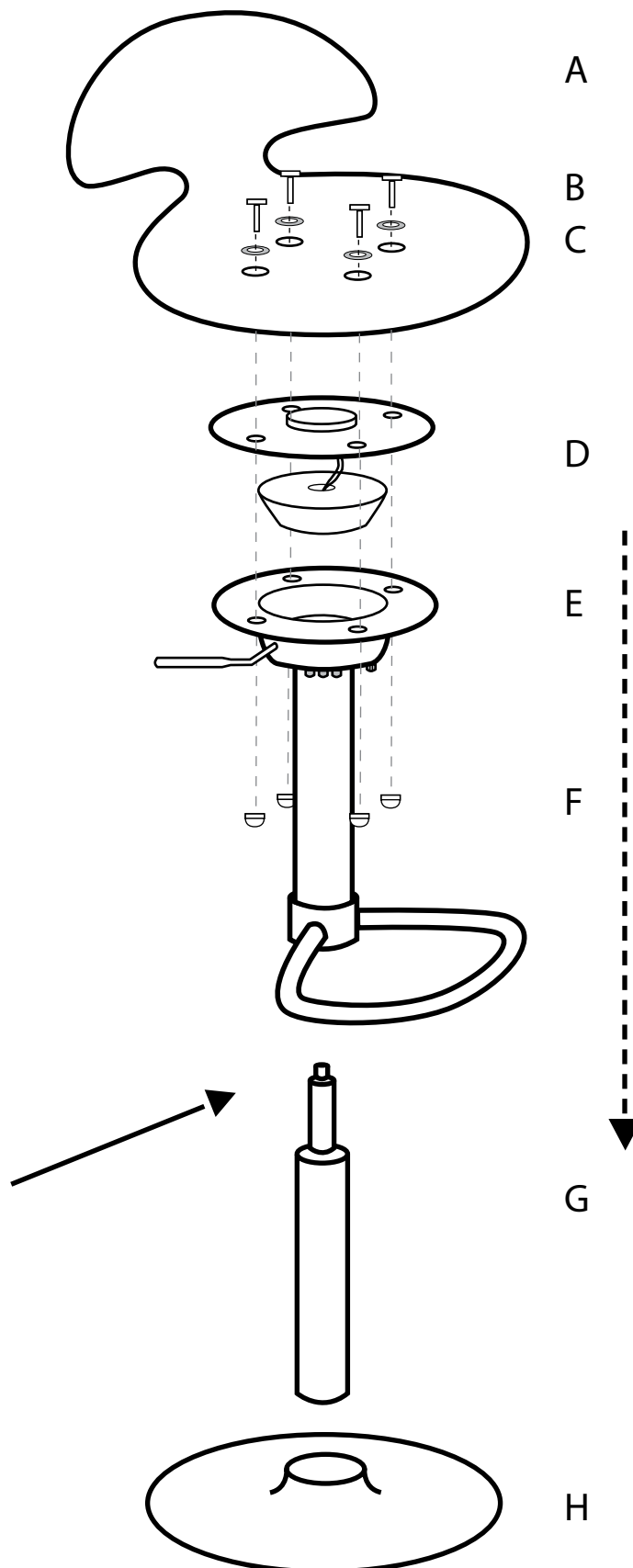
Part List

- 1 Seat with backrest (A)
- 4 Screws (B)
- 4 Washers (C)
- 1 LED Mechanism (D)
- 1 Metal pole with footrest (E)
- 4 Bolts (F)
- 1 Hydraulic pole (G)
- 1 Base (H)
- 1 Adaptor (I)



ATTENTION:

This cap must be removed prior to assembly!



Free Manuals Download Website

<http://myh66.com>

<http://usermanuals.us>

<http://www.somanuals.com>

<http://www.4manuals.cc>

<http://www.manual-lib.com>

<http://www.404manual.com>

<http://www.luxmanual.com>

<http://aubethermostatmanual.com>

Golf course search by state

<http://golfingnear.com>

Email search by domain

<http://emailbydomain.com>

Auto manuals search

<http://auto.somanuals.com>

TV manuals search

<http://tv.somanuals.com>