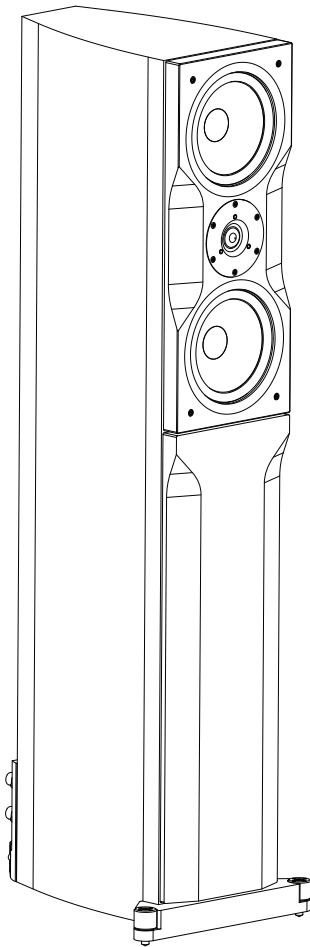


Owner's manual

# MH-1 Mk II



**LYNGDORF**

## Table of Contents

---

Introduction	3
General tips for setting up speakers	4
- <i>Stereo triangle</i>	4
- <i>Damping</i>	4
- <i>Toe-in</i>	5
Connecting	6
- <i>Single-wiring</i>	6
- <i>Bi-wiring</i>	6
Placement	7
Cleaning	7
Specifications	7
Technical Assistance	8

## Introduction

Congratulations on the purchase of your Lyngdorf Audio MH-1 Mk II.

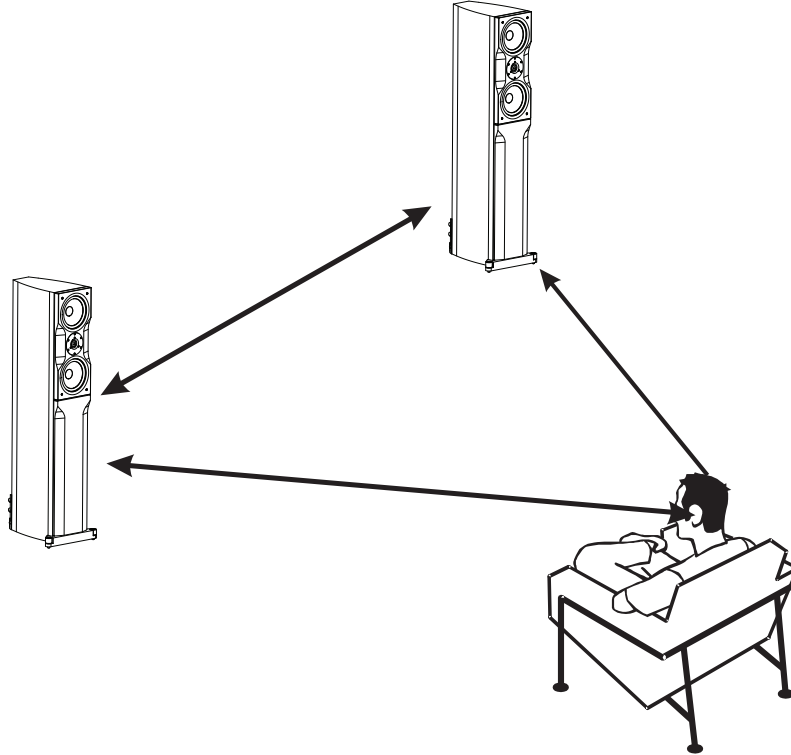
The MH-1 Mk II is an upgraded version of the successful MH-1 which was designed for active speaker system operation. The new Mk II version can also be used as a passive speaker thanks to its newly developed crossover.

One of the most open-sounding speakers on the market, this is truly a noble piece of audio art which will form a perfect partnership with any Lyngdorf Audio amplifier.

## General tips for setting up speakers

### Stereo triangle

You can use the stereo triangle as a good rule of thumb when placing your speakers. This means the distance between the speakers should be the same as the distance from your listening position to both speakers; in other words an equilateral triangle.



### Damping

If your room...

- a) doesn't allow you to get the speakers the required distance from the back and side walls or...
- b) has highly reflective surfaces (i.e. glass windows or bare plastered walls) or...
- c) still doesn't sound quite right

...we strongly recommend that you 'damp' your room's critical surfaces. This can be done simply by adding curtains, furniture, bookshelves and so on. A damped surface is almost always preferable to a hard reflective surface.

Depending on the placement of the speakers, room size, sound reflecting surfaces, furniture, etc, it is entirely up to you how you fine-adjust the placement, angling and damping. Remember to take your time and use your ears.

## Toe-in

To achieve optimal sound, try experimenting with 'toeing in' the speakers towards the listening position. This achieves two things:

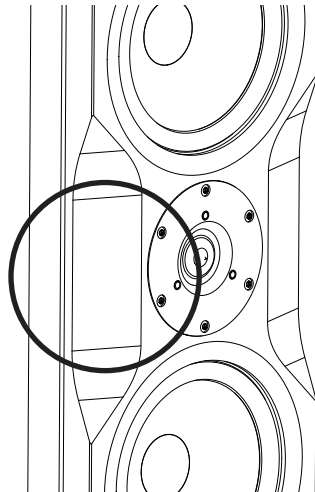
- a) Fine-tuning of the tweeter level, which is more sensitive to reflections than mid-range and bass output, treble is more directive than midrange and bass frequencies.
- b) Secondly you minimize side-wall reflections, thereby reducing colouration of the sound.

Some may not feel a need to toe in the speakers at all, while others may find the best solution is to angle them towards at the listening position. See what suits you best...

We do not recommend a toe-in position exceeding the angle of the angled front plate.



Have a helper hold a small mirror flat onto the angled surface of the front plate (the circled area on the illustration below). When you can see yourself in the mirror you have reached the maximum toe-in angle.

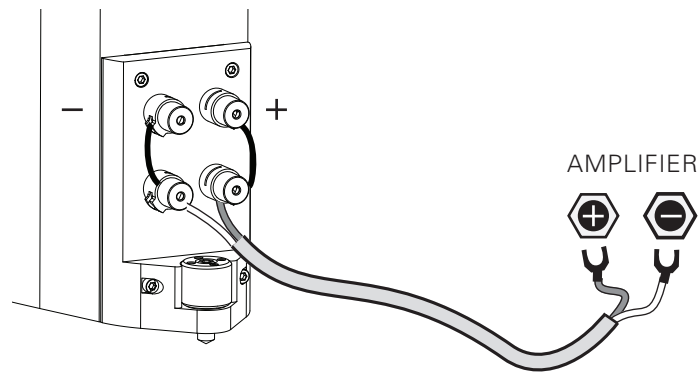


## Connecting

The MH-1 Mk II speaker comes prepared for bi-wiring.  
Please note the following two possible setups.

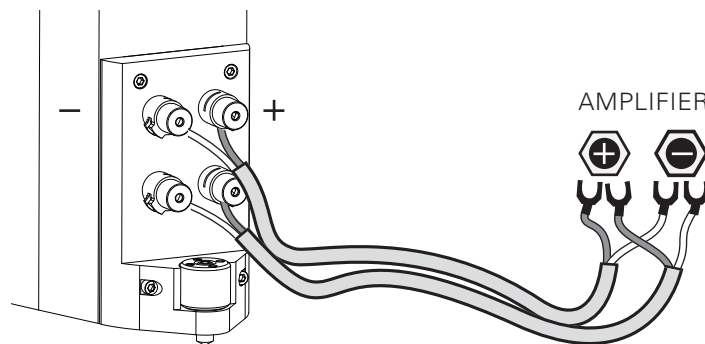
### Single-wiring

For single-wire connections, the terminal jumpers should be attached as shown in the illustration.



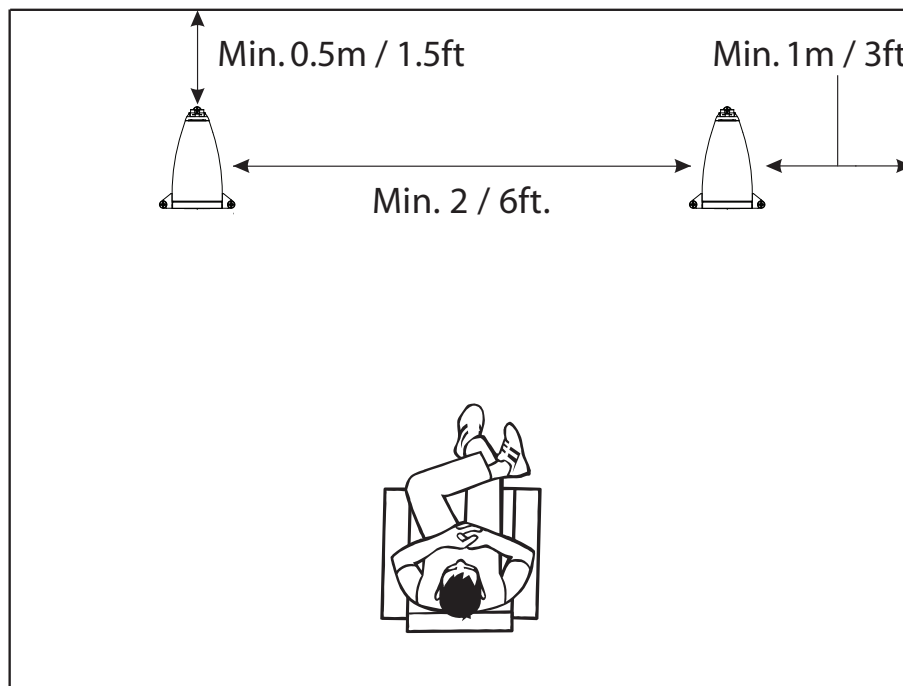
### Bi-wiring

If you'd like to use a bi-wiring arrangement, make sure you remove both the terminal jumpers before you connect up your loudspeaker cables like so...



## Placement

For an optimal listening experience, we recommend you place these speakers a minimum of 2m/6ft from each other, a minimum of 0.5m/1.5ft from the back wall and at least 1m/3ft from any side walls.



## Cleaning

Please use a dust-free cloth to clean the speakers. It is also possible to use a slightly damp cloth for more stubborn marks.

Under no circumstances should you use any kind of cleaning agent on, or in close proximity to, these speakers.

## Specifications

Product	MH-1 Mk II
High frequency driver	1 1/4" ring radiator
Woofer/midrange driver	2 x 6.5"
Crossover frequency	1.8kHz
Frequency response	35 - 60k Hz
Sensitivity (2.83V/1m)	92dB
Nominal Impedance	4Ohms
Maximum SPL	118dB

## Technical Assistance

For latest version of this document and 'Questions and Answers', please check the 'Support' section on the Lyngdorf Audio website.

If you have any problems with or questions regarding your Lyngdorf Audio product, please contact your nearest Lyngdorf Audio representative or:

Lyngdorf Audio ApS  
Denmark

E-mail: [info@lyngdorf.com](mailto:info@lyngdorf.com)

Web: <http://www.lyngdorf.com>



[www.lyngdorf.com](http://www.lyngdorf.com)



## Free Manuals Download Website

<http://myh66.com>

<http://usermanuals.us>

<http://www.somanuals.com>

<http://www.4manuals.cc>

<http://www.manual-lib.com>

<http://www.404manual.com>

<http://www.luxmanual.com>

<http://aubethermostatmanual.com>

Golf course search by state

<http://golfingnear.com>

Email search by domain

<http://emailbydomain.com>

Auto manuals search

<http://auto.somanuals.com>

TV manuals search

<http://tv.somanuals.com>