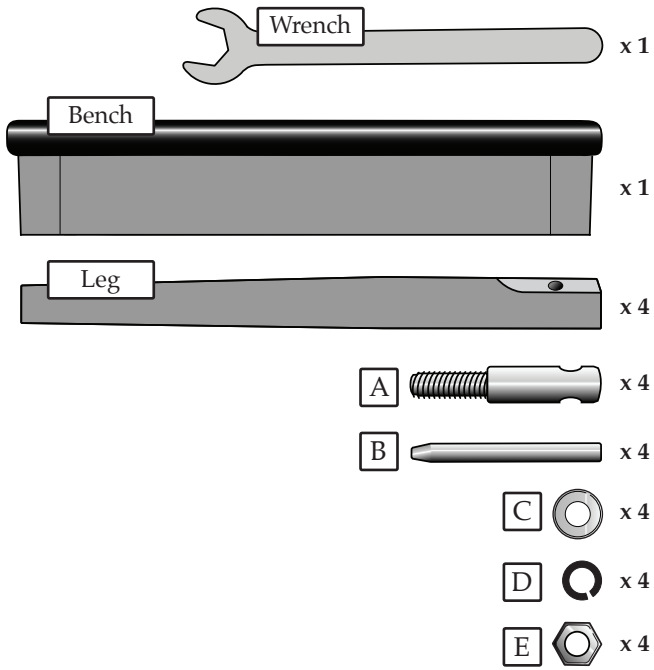
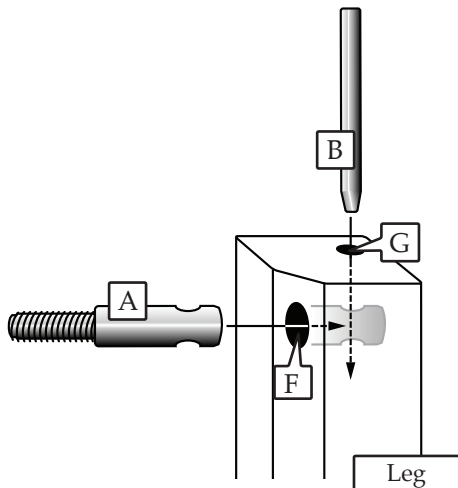


# Assembly Instructions



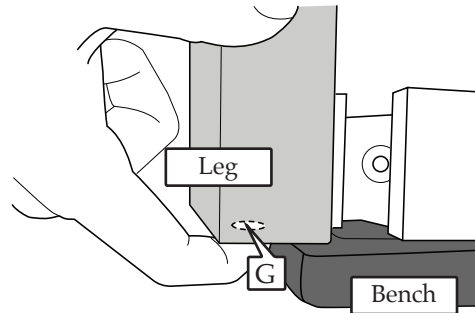
**1** Put **Screw A** through **Hole F**, lining up the hole in **Screw A** with **Hole G**.

**2** Drop **Pin B** (point side down) into **Hole G**.



**3**

Place finger over **Hole G** (to keep **Pin B** from falling out) and turn leg upside down.

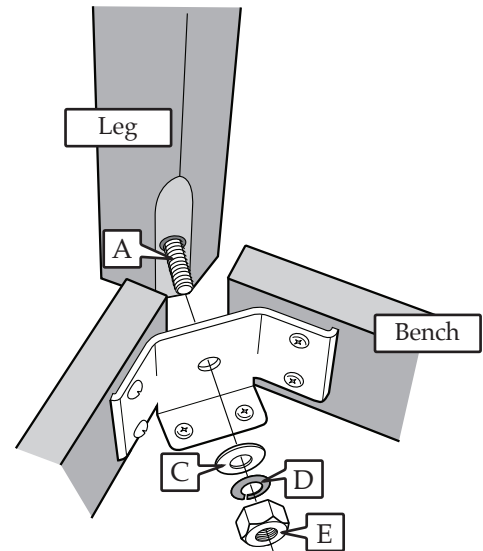


**4**

With finger still covering **Hole G**, slide leg into corner of bench, pushing **Screw A** through hole in bracket.

**5**

Place **Flat Washer C** and then **Tension Washer D** over **Screw A**, and then tighten **Nut E** with included wrench.



**6**

Repeat Steps 1-5 to attach remaining three legs.

## Free Manuals Download Website

<http://myh66.com>

<http://usermanuals.us>

<http://www.somanuals.com>

<http://www.4manuals.cc>

<http://www.manual-lib.com>

<http://www.404manual.com>

<http://www.luxmanual.com>

<http://aubethermostatmanual.com>

Golf course search by state

<http://golfingnear.com>

Email search by domain

<http://emailbydomain.com>

Auto manuals search

<http://auto.somanuals.com>

TV manuals search

<http://tv.somanuals.com>