



**COFFEE MAKER
(COFFEE & ESPRESSO MACHINE)**

MCECM1NB

-HOUSEHOLD USE ONLY-



**⚠ CAUTION:
BEFORE USE, PLEASE READ AND FOLLOW ALL IMPORTANT
SAFEGUARDS, PRECAUTIONS AND OPERATING INSTRUCTIONS.**

Table of Contents

Safety Instructions	3-5
Parts and Features	6
Operating Instructions	7-8
Auto Drip-Stop	8
Cleaning and Maintenance	9
Mineral Deposit and Decalcifying	9-10
Warranty	11
Spanish Section	12-22

What You Need to Know About Safety Instructions

Warning and Important Safety Instruction appearing in this manual are not meant to cover all possible conditions and situations that may occur. Common sense, caution and care must be exercised when installing, maintaining, or operating appliance.

Always contact your dealer, distributor, service agent or manufacturer about problems or conditions you do not understand.

Recognize Safety Symbols, Words, Labels

WARNING

WARNING-Hazards or unsafe practices which **COULD** result in severe personal injury or death.

CAUTION

CAUTION-Hazards or unsafe practices which **COULD** result in minor personal injury.

IMPORTANT SAFEGUARDS

WARNING

When using electrical appliances, basic safety precaution should always be followed, including the following:

IMPORTANT SAFEGUARDS

- 1) Read all instructions.**
- 2) This appliance is for household use only. Do not use outdoors.
- 3) Do not use this appliance for other than its intended use.
- 4) Before using for the first time, check if voltage indicated on the base of the appliance corresponds to the voltage in your home.
- 5) Do not turn the power on unless this appliance is properly assembled.
- 6) Close supervision is necessary when any appliance is used by or near children.
- 7) Do not operate any appliance with a damaged cord or plug, or after the appliance malfunctions or has been damaged in any manner.


Return appliance to authorized service center for examination, repair or adjustment.

- 8) The use of attachments or accessories not recommended or sold by the manufacturer may result in fire, electric shock or injury.
- 9) Unplug the appliance from the outlet when not in use, assembling and disassembling, and before cleaning. Make sure the appliance cools down completely before assembling, disassembling and cleaning.
- 10) Do not let cord hang over edge of table or counter, or touch hot surfaces.
- 11) Do not place the appliance on or near a hot gas or electric burner, or in a heated oven.
- 12) Do not touch hot surfaces. Use handles or knobs.
- 13) When making espresso, do not open the water tank boiler cap to prevent injury.
- 14) To connect, always plug the cord into the wall outlet first, and then press "power". To disconnect, press "power" again to power off, then remove plug from wall outlet.
- 15) Always use cold water to make coffee. Warm water or other liquids could cause damage to the coffee maker.
- 16) Do not use a cracked carafe or a carafe having a loose or weakened handle. Do not clean carafe with cleansers, steel wool pads or other adhesive materials. Do not place in microwave oven.
- 17) Snap lid securely onto the glass carafe before serving any beverages.
- 18) Scalding may occur if the lid is removed during the brewing cycle.

 **WARNING:**

To protect against electric shock, fire, and injury to persons, do not immerse main cord, plug or unit in water or any other liquid.

 **CAUTION:**

Before removing the water tank boiler cap, please turn the control knob to the  position and wait for the steam pressure to dispel completely.

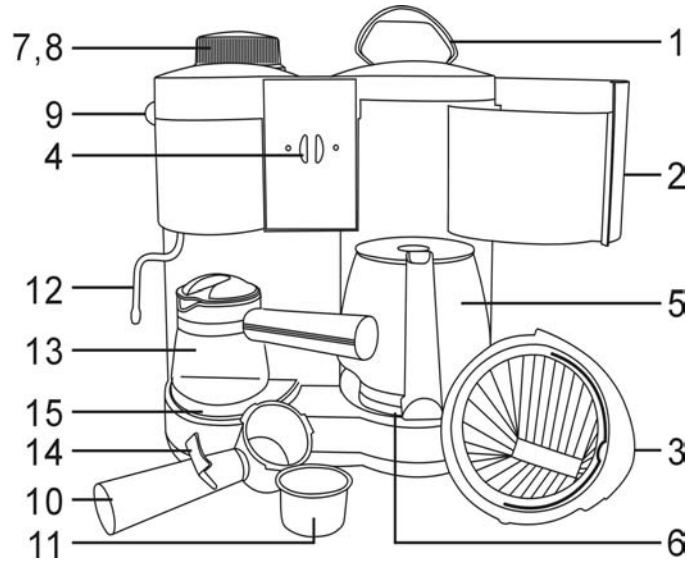
 CAUTION:

This product is equipped with a polarized plug (one blade is wider than the other blade) as a safety feature to reduce the risk of electrical shock. This plug will fit into a polarized outlet only one way. This is a safety feature. If you are unable to insert the plug into the electrical outlet, try reversing the plug. If the plug still does not fit, contact a qualified electrician.

Never use the plug with an extension cord unless the plug can be fully inserted into the extension cord. Do not alter the plug of the appliance or any extension cord used with this appliance. Do not attempt to defeat the safety purpose of the polarized plug.

SAVE THESE INSTRUCTIONS

Parts and Features



1. Water Tank Lid
2. Filter Basket Holder
3. Filter Basket
4. Power Button
5. Glass Carafe
6. Warming Plate
7. Water Tank Boiler Cap
8. Safety Valve
9. Control Knob
10. Espresso Filter Basket
11. Espresso Filter
12. Steam Nozzle
13. Espresso Carafe
14. Retainer Clip
15. Base Grid

Before Your First Use

Carefully unpack the coffee maker and remove all packaging materials. Wipe the heating stand with a clean, damp cloth. Do not immerse the heating stand in water or other liquid. To remove any dust that may have accumulated on the removable parts during packaging, wash the carafe, lid and filter basket with warm soapy water. Rinse and dry. We recommend that prior to brewing your first pot of coffee, you “brew” just the cold water without ground coffee or a paper filter. This will remove any dust that may have settled inside the coffee maker.

Operating Instructions

BREWING COFFEE

- 1) Open the water tank lid(1) and fill the water tank with desired amount of cold water.
- 2) Swing the filter basket holder(2) outward to your right. Lift out the filter basket(3). Insert a #4 cone-shaped filter into the filter basket(3).
- 3) Place the desired amount of ground coffee into the filter.
- 4) Insert the filter basket(3) with filter in the filter basket holder(2). Be sure the filter basket(3) is seated properly in the filter basket holder(2). Swing the filter basket holder close and snap into place.

NOTE: Do not operate your coffee maker if the filter basket holder does not close completely. If the door does not close completely, check to see that the filter basket is properly seated and snap the door back into its place.

- 5) Press the right power button(4) to begin brewing. In 15 minutes the coffee maker will complete the brewing cycle and switch over to warming mode, keeping the coffee hot.
- 6) Press the right power button(4) again to turn the coffee maker off when the carafe is empty or when the coffee maker is not in use.

MAKING ESPRESSO

- 1) Remove the espresso filter basket(10) by grabbing the handle and sliding 1/4 to the left. The espresso filter basket(10) will now be released.
- 2) Place the espresso filter(11) in the espresso filter basket(10).
- 3) Fill with fresh ground espresso coffee to the desired amount. Clean any excess coffee from the rim of the espresso filter basket(10). This will assure proper fit under the brew head.
- 4) Place the retainer clip(14) in the release position by pulling the clip back toward your hand. Place the espresso filter basket(10) underneath the brew head so that the handle is positioned to the left of the center. Lift the espresso filter basket(10) up and insert it into the brew head. Make sure the

- espresso filter basket(10) is secure.
- 5) Fill the espresso carafe(13) with cold water. Markings are provided as measures to number of serving of espresso.
 - 6) Remove the water tank boiler cap(7) and pour water into the water tank.
 - 7) Plug the power cord into an electrical outlet.
 - 8) Turn the control knob(9) to "☐" position. Espresso will begin to flow into the carafe.
 - 9) When brewing has completed, you can use the steam remaining in the water tank for frothing milk. First, pour 3 to 4 oz. of cold milk into a small pitcher, which should fit underneath the steam nozzle(12). Then turn the control knob to "☁" position for frothing. (If you find the steam is not enough for frothing milk, pour some water into water tank. **(To make sure "do not remove the water tank boiler cap (7) until the steam pressure in the machine has been released completely.")** In just a few seconds, as steam is injected into the milk, it will begin to froth up. To finish frothing, turn the control knob(9) back to "Off".
 - 10) When the espresso has stopped flowing into the carafe, press the power button to turn the espresso machine off. Pour out the espresso coffee into a cup, and then add the steam milk to the espresso and spoon on the frothed milk.
 - 11) Unplug the power cord and allow the machine to cool.

Auto Drip-Stop

Your coffee maker is equipped with an auto drip-stop feature. If you wish to temporarily remove the glass carafe from the warming plate at any time during the brewing cycle, the auto drip-stop feature will temporarily stop the brewing, causing no coffee to drip from the filter basket to the warming plate. Replacing the glass carafe on the warming plate will restart the brewing cycle.

NOTE: If the glass carafe was removed during the brewing cycle, return it within 30 seconds or the filter basket may overflow.

CAUTION:

The coffee maker will remain "On" until you press power button to turn it "Off". Also, do not leave empty glass carafe on the heated warming plate.

Cleaning and Maintenance

COMPLETELY CLEAN AND DRY ALL PARTS AFTER EVERY USE.

Always turn coffee maker "Off" and remove the plug from the electrical outlet before cleaning it.

Remove the glass carafe from the warming plate. Discard any remaining coffee. The glass carafe, carafe lid and filter baskets may be washed in warm soapy water and rinsed thoroughly, or on the top rack of a dishwasher. Do not place any other parts of the coffee maker in the dishwasher. Do not use scouring agents or harsh cleansers on any part of the coffee maker.

During cleaning of the filter basket, the spring (located lower back of the handle) may become detached. If not reattached, it may prevent the anti-drip function from working properly.

Never immerse base unit in water or any other liquid. To clean base, simply wipe with a clean damp cloth and dry before storing. Wipe the warming plate with a clean, damp cloth. Never use rough, abrasive materials or cleaners to clean the warming plate. Do not try to clean the inside of the water tank with a cloth as residue or lint might remain and clog up your coffee maker.

Mineral Deposits and Decalcifying

Mineral deposit build-up frequently occurs in coffee makers. This build-up is quite normal and is caused by minerals commonly found in drinking water. Periodically, your coffee maker will need cleaning to remove any mineral deposits that may form. Excessive steaming or prolonged brewing cycle is a sign that your coffee maker needs decalcifying. During decalcifying, more steaming will occur than while brewing coffee.

- 1) Lift carafe lid. Pour two tablespoons of white vinegar in the carafe and add cold water and fill up carafe.
- 2) Pour vinegar/water solution into water tank.
- 3) Place the glass carafe on the warming plate.
- 4) Open the filter basket holder and place a coffee filter into the filter basket.
- 5) Press power button to turn the coffee maker on.
- 6) Let half of the cleaning solution brew into the carafe, and then press the power button again to turn the coffee maker "Off".
- 7) Let the coffee maker cool for 15 minutes to soften the mineral deposits.
- 8) Pour the liquid that brewed into the carafe back into the water tank.

- 9) Turn the coffee maker on and let all the cleaning solution brew into the carafe.
- 10) Turn the coffee maker off. Discard the cleaning solution and used coffee filter.
- 11) Fill the coffee maker with fresh water and follow the steps in the “Before Your First Use” to flush out remaining cleaning solution.
- 12) Hand wash carafe and lid with hot soapy water. Do not place in dishwasher.

SAVE THESE INSTRUCTIONS

Magic Chef Limited Warranty

This **Magic Chef** product is warranted, to the original purchaser or gift recipient, to be free from any manufacturing defects under normal use and conditions for a period of one (1) year from the date of purchase as shown on retailer's receipt.

The obligation of **Magic Chef** under this warranty shall be limited to repair or replacement (at our option) during the warranty period, of any part that proves to be defective in material or workmanship under normal installation and use. The product is returned to **Magic Chef** or an Authorized Service Center **POSTAGE PREPAID**. A copy of the original receipt along with your name, address and phone number must accompany products returned. Include a description of the defect along with the date you purchased the product.

This warranty shall be invalid if the product is damaged as a result of misuse, abuse, negligence, defacement, destruction, accident, fire or other casualties or alterations in any manner. Improper repair, improper use of electrical voltages or currents, alteration of serial number, maintenance by any person or entity other than our own Service Facility or Center, or any use not in conformity with product instruction, shall render this warranty invalid.

Magic Chef assumes no responsibility for damage resulting from the use of this product in a manner or location other than that for which it was intended.

WARRANTY CONDITIONAL TO NORMAL AND NON-COMMERCIAL USE OF THIS APPLIANCE FOR DOMESTIC USE ONLY.

For the nearest Authorized Service Center, contact:

Magic Chef Customer Service: 1-888-775-0202

Or visit our website at www.magicchef-ewave.com

Magic Chef is a trademark of the Maytag Corporation and is used under license to MC Appliance Corp. All rights reserved.



**CAFETERA
(MÁQUINA DE CAFÉ Y CAFÉ EXPRÉS)
MCECM1NB
-USO DOMESTICO EXCLUSIVAMENTE-**



**⚠️ PRECAUCIÓN:
ANTES DE USAR, SÍRVASE LEER Y OBSERVAR TODAS LAS
ADVERTENCIAS, PRECAUCIONES E INSTRUCCIONES DE USO.**

Tabla de Contenidos

Instrucciones de Seguridad	14-16
Partes y Características	17
Instrucciones de Uso	18-19
Sistema automático antigoteo	19
Limpieza y Mantenimiento	20
Depósito de minerales y descalcificación	20-21
Garantía	22

¿Qué necesita saber sobre las instrucciones de seguridad?

Las advertencias e instrucciones de seguridad importantes que aparecen en este manual no cubren todas las condiciones y situaciones que pueden presentarse. Cuando instale, utilice o realice el mantenimiento del electrodoméstico, aplique el sentido común, y opere con precaución y cuidado.

Si tiene alguna duda, póngase en contacto con su proveedor, distribuidor, agente de servicios o fabricante.

Observar los símbolos, leyendas y rotulos de seguridad

⚠ ADVERTENCIA

ADVERTENCIA-Peligros o practicas riesgosas que **PODRIAN** causar lesiones graves o aun la muerte.

⚠ PRECAUCION

PRECAUCION-Peligros o practicas riesgosas que **PODRIAN** causar lesiones leves.

MEDIDAS DE SEGURIDAD IMPORTANTES

⚠ ADVERTENCIA

Siempre que utilice un electrodoméstico, asegúrese de observar las precauciones básicas de seguridad, incluyendo las siguientes:

MEDIDAS IMPORTANTES DE SEGURIDAD

1) Leer todas las instrucciones.

- 2) Este aparato es para uso doméstico exclusivamente. No utilizar en exteriores.
- 3) No utilizar el electrodoméstico para un uso diferente del indicado.
- 4) Antes de utilizar por primera vez, verificar si la tensión indicada en la base del electrodoméstico coincide con la tensión suministrada en su hogar.
- 5) No poner en funcionamiento el aparato antes de armar correctamente.
- 6) Se recomienda supervisar atentamente cuando el aparato sea utilizado por niños o en presencia de éstos.

- 7) No poner en funcionamiento ningún electrodoméstico si el cable o enchufe están dañados o si se detectó mal funcionamiento o desperfecto alguno. Llevar a un servicio técnico autorizado para su revisión, reparación o ajuste.
- 8) El uso de accesorios fuera de los recomendados o vendidos por el fabricante puede originar incendios, golpes de corriente o lesiones.
- 9) Desenchufar el aparato cuando no se utilice, cuando se proceda al armado o desarmado, y antes de limpiar. Verificar que esté completamente detenido antes de desarmarlo.
- 10) No dejar el cable colgando del borde de la mesa o mesada, o en contacto con las superficies calientes.
- 11) No colocar el artefacto sobre un quemador u horno caliente, ni en las proximidades de los mismos.
- 12) No tocar las superficies calientes. Utilizar asas o perillas.
- 13) Cuando prepare café exprés no abra la tapa de salida de vapor para evitar lesiones.
- 14) Para conectar, enchufar primero en el tomacorriente de la pared y luego pulsar "Power." (encendido) Para desconectar, volver a pulsar "power" (apagado) para apagar y luego retirar el enchufe del tomacorriente de la pared.
- 15) Siempre utilizar agua fría para preparar el café. El agua tibia u otros líquidos pueden dañar la cafetera.
- 16) La jarra de vidrio está diseñada para ser utilizada en este electrodoméstico. No se debe utilizar sobre la hornalla. No coloque la jarra caliente sobre una superficie húmeda o fría. No utilice una jarra agrietada o que tenga el asa floja o dañada. No limpie la jarra con polvos limpiadores, esponjas de acero u otros productos abrasivos. No utilizarla en el horno de microondas.
- 17) Verificar que la tapa esté bien ajustada a la jarra antes de servir cualquier bebida.
- 18) Se pueden producir quemaduras si se saca la tapa durante el ciclo de preparación.

 ADVERTENCIA:

Para evitar riesgos de golpes de corriente, incendio y lesiones personales, no sumergir el cordón, el enchufe o la unidad en agua u otro líquido.

⚠️ PRECAUCIÓN:

Antes de retirar la tapa de salida de vapor, por favor girar la perilla de control hasta la posición "☁️" y esperar hasta que la presión del vapor se disipe por completo.

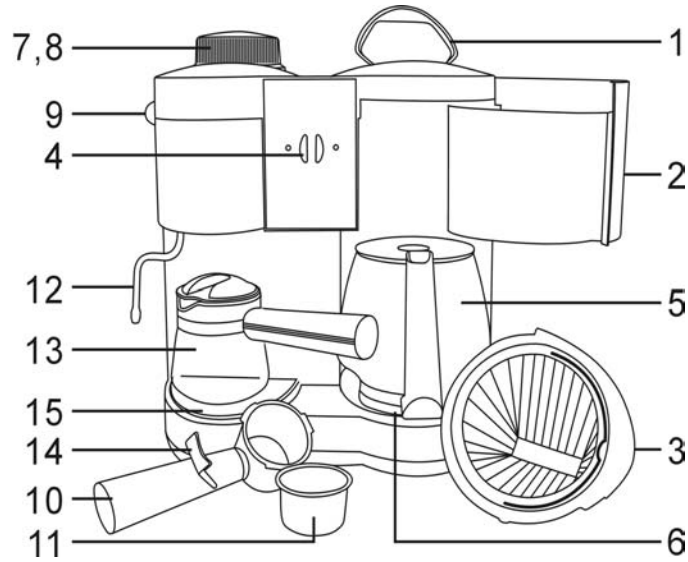
⚠️ PRECAUCIÓN:

Este producto cuenta con un dispositivo de seguridad para reducir el riesgo de golpe de corriente que consiste en un enchufe polarizado (con una pata más ancha que la otra). Sólo hay una forma de colocarlo en un tomacorriente polarizado. Ésta es una medida de seguridad. Si no puede enchufar en el tomacorrientes, intente darlo vuelta. Si a pesar de esto no logra enchufarlo, llame a un electricista autorizado.

No utilice el enchufe con un alargue salvo que el enchufe calce perfectamente en el mismo. No modifique el enchufe del aparato o de cualquier alargue que utilice con este aparato. No intente burlar el dispositivo de seguridad del enchufe polarizado.

GUARDE ESTAS INSTRUCCIONES

Partes y Características



1. Tapa del recipiente para el agua
2. Canasta porta filtro
3. Porta filtro
4. Botón de encendido/apagado
5. Jarra de vidrio
6. Plato térmico
7. Tapa de salida de vapor
8. Válvula de seguridad
9. Perilla de control
10. Café Espres de Porta filtro
11. Espres filtro
12. Boquilla de vapor
13. Espres del jarra
14. Lengüeta de retención
15. Rejilla de la base

Antes de usar por primera vez

Desembalar con cuidado la cafetera y retirar todos los materiales del embalaje. Limpiar el plato térmico con un paño húmedo limpio. No sumergir el plato térmico en agua u otro líquido. Para retirar el polvo acumulado en las partes removibles durante el proceso de embalaje, lavar la jarra, la tapa y el porta filtro con agua jabonosa tibia. Enjuagar y secar. Antes de preparar la primera jarra de café, recomendamos "procesar" sólo agua sin granos de café o filtro de papel. De esta forma, se eliminará el polvo que se haya acumulado dentro de la cafetera.

Instrucciones de uso

PREPARACIÓN DEL CAFÉ



- 1) Abrir la tapa del recipiente para el agua (1) y llenar el recipiente con la cantidad deseada de agua fría.
- 2) Girar la canasta porta filtro (2) hacia afuera y hacia su derecha. Levantar y retirar el porta filtro (3). Colocar un filtro de papel #4 con forma de cono en el porta filtro (3)
- 3) Colocar la cantidad deseada de café molido en el filtro.
- 4) Colocar el porta filtro (3) con el filtro en la canasta porta filtro(2). Verificar que el porta filtro (3) esté correctamente colocado en la canasta porta filtro (2). Calzar la canasta porta filtro en su posición original.

NOTA: No poner la cafetera en funcionamiento si la canasta porta filtro no cierra correctamente. Si la canasta porta filtro no cierra por completo, verificar si el porta filtro está colocado correctamente en su lugar y volver a cerrar la tapa.

- 5) Pulsar el botón de encendido/apagado de la derecha (4) para iniciar la preparación. En 15 minutos la cafetera completará la preparación y pasará a funcionar en modo "calentar" para mantener el café caliente.
- 6) Volver a pulsar el botón de encendido/apagado de la derecha (4) para apagar la cafetera cuando la jarra esté vacía o cuando la cafetera ya no esté en uso.

PREPARACIÓN DE CAFÉ EXPRÉS

- 1) Retirar el porta filtro para café exprés (10) tomando del asa y girando 1/4 hacia la izquierda. Cuando está en esta posición, el porta filtro para café exprés (10) se puede retirar.
- 2) Colocar el filtro para café exprés (11) en el porta filtro (10).
- 3) Colocar la cantidad deseada de café molido exprés. Limpiar el exceso de café depositado en los bordes del porta filtro (10). Esto permitirá la correcta colocación debajo del cabezal.
- 4) Coloque la lengüeta de retención (14) en posición para poder retirar jalando

- hacia usted. Coloque el porta filtro para café exprés (10) bajo el cabezal de forma que el asa quede hacia la izquierda. Levante el porta filtro (10) y colóquelo en el cabezal. Verificar que el porta filtro (10) esté asegurado.
- 5) Llenar la jarra para café exprés (13) con agua fría. Las marcas indican las medidas de café.
 - 6) Retirar la tapa de salida de vapor (7) y verter agua en el recipiente para el agua.
 - 7) Enchufar en el toma corriente.
 - 8) Girar la perilla de control (9) a la posición . El café exprés comenzará a filtrar en la jarra.
 - 9) Cuando finalice la preparación, puede utilizar el vapor que queda en el recipiente del agua para espumar leche. Primero verter de 3 a 4 onzas de leche fría en una jarra pequeña, que debe caber debajo de la boquilla para vapor (12). Girar la perilla de control a la posición  para espumar. (Si el vapor no es suficiente para espumar la leche, verter agua en el recipiente para el agua). **(Recuerde que "no debe retirar la tapa de salida de vapor (7) hasta que no haya salido toda la presión de vapor en de máquina".)** En pocos segundos, al inyectar vapor en la leche, ésta comenzará a espumarse. Para terminar de espumar, girar la perilla de control(9) de nuevo a la posición "Off (apagado).
 - 10) Cuando haya terminado de filtrar el café exprés en la jarra, pulsar el botón de encendido/apagado para apagar la máquina exprés. Servir el café en una taza y luego agregar la leche espumada e incorporarla con una cuchara.
 - 11) Desenchufar y dejar enfriar la máquina.

Sistema automático antigoteo

Su cafetera está equipada con un dispositivo automático antigoteo. Si desea retirar momentáneamente la jarra del plato térmico durante el ciclo de procesamiento, el dispositivo automático antigoteo impedirá que el café siga filtrando sobre el plato térmico. Al volver a colocar la jarra sobre el plato térmico se reiniciará el proceso de filtrado y el café seguirá filtrando en la jarra de vidrio.

NOTA: Si la jarra se retira durante el ciclo de filtrado, vuelva a colocarla dentro de los 30 segundos; en caso contrario, la canasta porta filtro puede rebalsar.

PRECAUCIÓN:

La cafetera permanecerá "encendida" hasta que usted pulse el botón "Off" (apagado). Recuerde no dejar la jarra de vidrio vacía sobre el plato térmico caliente.

Limpieza y Mantenimiento

LIMPIAR Y SECAR BIEN TODAS LAS PARTES CADA VEZ QUE SE USA LA CAFETERA.

Apagar la cafetera y retirar el enchufe del toma corriente antes de limpiarla.

Retirar la jarra de vidrio del plato térmico. Desechar el café que sobró. La jarra de vidrio, la tapa de la jarra y los porta filtros se pueden lavar con agua jabonosa tibia y enjuagar bien o lavar en la parte superior del lavavajillas. No colocar ninguna otra parte de la cafetera en el lavavajillas. No utilizar agentes o limpiadores abrasivos en ninguna de las partes de la cafetera.

Durante la limpieza de la canasta porta filtro, se puede desprender el resorte (ubicado en la parte inferior del asa). Si no se vuelve a colocar, la función antigoteo puede no operar correctamente.

No sumergir la base en agua u otro líquido. Para limpiar la base, utilizar un paño húmedo y limpio, y secar antes de guardar. Limpiar el plato térmico con un paño limpio y húmedo. No utilizar limpiadores abrasivos ni esponjas metálicas para limpiar el plato térmico. No limpiar el interior del recipiente para el agua con paños ya que estos podrían dejar pelusas que tapen la cafetera.

Depósito de minerales y descalcificación

Con frecuencia en las cafeteras se produce el depósito de minerales. Esta acumulación es bastante normal y se produce por los minerales presentes en el agua potable. Periódicamente, la cafetera requiere una limpieza para eliminar los depósitos de minerales que se puedan formar. Si se produce mucho vapor o el ciclo de filtrado se prolonga demasiado es posible que la cafetera necesite descalcificación. Durante el proceso de descalcificación, se producirá más vapor que durante el filtrado de café.

- 1) Levantar la tapa de la jarra. Verter dos cucharadas de vinagre blanco en la cafetera y agregar agua fría hasta completar la jarra.
- 2) Verter la solución vinagre/agua en el recipiente para el agua.
- 3) Colocar la jarra de vidrio en el plato térmico.
- 4) Abrir la canasta porta filtro y colocar un filtro para café en el porta filtro.
- 5) Pulsar el botón "START" (encendido) dos veces para poner la cafetera en funcionamiento.
- 6) Dejar que la mitad de la solución de limpieza filtre en la jarra y luego pulsar el botón "STOP" (apagado) para detener el funcionamiento de la cafetera.

- 7) Dejar que la cafetera se enfríe durante 15 minutos para que se ablanden los depósitos de minerales.
- 8) Volver a verter en el recipiente para el agua el líquido filtrado en la jarra.
- 9) Volver a encender la cafetera y dejar que toda la solución de limpieza filtre en la jarra.
- 10) Apagar la cafetera. Desechar la solución de limpieza y el filtro para café usado.
- 11) Llenar la cafetera con agua limpia y seguir las instrucciones de la sección "Antes de usar por primera vez" para eliminar la solución de limpieza restante.
- 12) Lavar a mano la jarra y la tapa con agua jabonosa caliente. No introducir en el lavavajillas.

GUARDE ESTAS INSTRUCCIONES

Garantía Limitada de Magic Chef

Se garantiza que el presente producto **Magic Chef** se entrega sin defectos de fabricación y en perfecto estado de funcionamiento. Esta garantía es válida únicamente para el comprador original, o quien lo hubiese recibido como regalo, por el período de un (1) año a partir de la fecha de la factura o recibo de compra del agente de venta minorista.

La obligación de **Magic Chef** en virtud de la presente garantía estará limitada a la reparación o reemplazo (a nuestra opción), durante el período de garantía, de cualquiera de las partes que se comprobare que, en condiciones de instalación y uso normales, no funcionan correctamente por defectos del material o de mano de obra. El producto deberá enviarse por **SERVICIO POSTAL PREPAGO** a **Magic Chef** o a un Centro de Servicio Técnico Autorizado con una copia del recibo original indicando su nombre, domicilio y teléfono. Por favor describa el defecto y la fecha de compra del producto.

La presente garantía no será válida si el producto se hubiese dañado como consecuencia de mal uso, abuso, negligencia, deformación, destrucción, accidente, incendio u otras contingencias o se lo hubiese alterado de algún modo. La presente garantía no será válida en caso de reparaciones indebidas, uso con tensión o corriente eléctrica no apropiadas, alteración del número de serie, mantenimiento realizado por personas o entidades que no fueran nuestros propios Centros de Servicio o si el mismo no se hubiera usado en conformidad con el modo de empleo recomendado para el producto.

Magic Chef no asume responsabilidad alguna por daños que resultasen de un modo de empleo o ubicación del producto distinto del indicado para el mismo.
LA PRESENTE GARANTÍA SÓLO ES VÁLIDA PARA EL USO NORMAL Y NO COMERCIAL DEL PRESENTE APARATO DISEÑADO PARA USO DOMÉSTICO EXCLUSIVAMENTE.

Para información sobre el Centro de Servicio Técnico Autorizado más cercano, dirigirse a: Servicio de atención al cliente **Magic Chef** 1-888-775-0202 o visite nuestro sitio en internet: **www.magicchef-ewave.com**

Magic Chef es una marca registrada de Maytag Corporation utilizada bajo licencia a MC Appliance Corp. Se reservan todos los derechos.

Free Manuals Download Website

<http://myh66.com>

<http://usermanuals.us>

<http://www.somanuals.com>

<http://www.4manuals.cc>

<http://www.manual-lib.com>

<http://www.404manual.com>

<http://www.luxmanual.com>

<http://aubethermostatmanual.com>

Golf course search by state

<http://golfingnear.com>

Email search by domain

<http://emailbydomain.com>

Auto manuals search

<http://auto.somanuals.com>

TV manuals search

<http://tv.somanuals.com>