



**Magic Chef**<sup>™</sup>  
SO RIGHT AT HOME.<sup>™</sup>

## COUNTER TOP ICE MAKER

### INSTRUCTION MANUAL

Model No.: MCIM30SST



- To ensure proper use of this appliance and your safety, please read the following instructions completely before operating this appliance.

# TABLE OF CONTENTS

|   |   |
|---|---|
| <b>BEFORE PUTTING INTO USE</b> .....          | 2 |
| <b>SPECIFICATIONS</b> .....                   | 2 |
| <b>IMPORTANT SAFETY INSTRUCTIONS</b>          |   |
| <b>IMPORTANT SAFETY TIPS</b> .....            | 3 |
| <b>NAME OF THE PARTS</b> .....                | 4 |
| <b>OPERATING PROCEDURES &amp; MAINTENANCE</b> |   |
| <b>UNPACKING YOUR ICE MAKER</b> .....         | 5 |
| <b>CONNECTING YOUR ICE MAKER</b> .....        | 5 |
| <b>HOW TO CLEAN</b> .....                     | 6 |
| <b>CARE AND MAINTENANCE</b> .....             | 6 |
| <b>USING YOUR ICE MAKER</b> .....             | 7 |
| <b>TROUBLESHOOTING</b> .....                  | 8 |
| <b>ICE MAKER WARRANTY</b> .....               | 9 |

## **BEFORE PUTTING INTO USE**

- Before connecting the appliance to the power supply, let the unit stand upright for 4 hours, which will reduce the possibility of the cooling system malfunctioning due to improper handling.
- Clean your unit thoroughly before putting into use. (See “How to Clean”)
- Use the parts diagram on page 4 to insure proper positioning of internal components.

## **SPECIFICATIONS**

|   |                                       |               |              |
|---|---------------------------------------|---------------|--------------|
| <b>Product Description</b>                              | Stainless Steel Counter top Ice Maker |               |              |
| <b>Model No.</b>  | MCIM30SST                             |               |              |
| <b>Unit Dimensions<br/>(Inches)</b>                     | <b>Width</b>                          | <b>Height</b> | <b>Depth</b> |
|   | 15.7"                                 | 16.9"         | 14.0"        |
| <b>Net Weight</b>                                       | 38 (lbs)                              |               |              |
| <b>Ice Making Capacity for<br/>the medium ice cubes</b> | Up to 30 lbs / 24hrs                  |               |              |

## **IMPORTANT SAFETY INSTRUCTIONS**

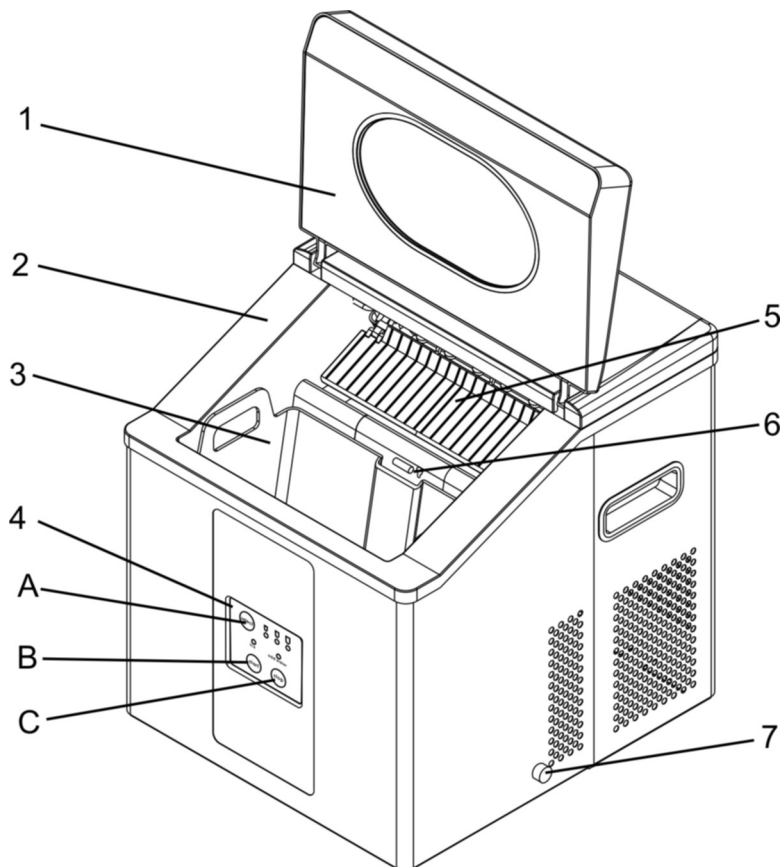
### **IMPORTANT SAFETY TIPS**

When using electrical appliances, basic safety precautions should be followed to reduce the risk of fire, electric shock, and injury to persons or property. Read all instructions before using any appliance.

- Do not operate this or any other appliance with a damaged cord.
- Connect to properly polarized outlets only. No other appliance should be plugged into the same outlet. Be sure that the plug is fully inserted into the receptacle.
- Do not run cord over carpeting or other heat insulators. Do not cover the cord. Keep cord away from traffic areas, and do not submerge in water.
- We do not recommend the use of an extension cord, as it may overheat and become a risk of fire. If you must use an extension cord, use No.14 AWG minimum size and rated no less than 1875 watts, also the cord should not exceed 10 meters in length.
- Unplug the ice maker before cleaning or making repairs.
- Exercise caution and use reasonable supervision when appliance is used near children.
- Do not clean your ice maker with flammable fluids. The fumes can create a fire hazard or explosion.
- Do not tip over.
- If the ice maker is brought indoors from outdoors during the wintertime, give it a few hours to adjust to room temperature before plugging it in.

## NAME OF THE PARTS

1. Lid: With a transparent window to allow interior visibility.
2. Inner Liner
3. Ice basket
4. Control Panel: Easy to use ,visible functions and 1-touch display setting.  
A) Select ice cube size  
B) Start ice making cycle  
C) Stop ice making cycle
5. Ice shovel
6. Ice Sensor
7. Water Drain Cap: For draining water from water reservoir.



## **OPERATING PROCEDURES & MAINTENANCE**

### **UNPACKING YOUR ICE MAKER**

1. Remove all exterior and interior packaging. Check that ice basket and ice scoop is included. If any part or accessory is missing, please contact our customer service dept at 888-775-0202.
2. Clean the interior with lukewarm water and a soft cloth. Remove the ice basket and wash it in warm water.
3. Find a location for your ice maker that is protected from direct sunlight and other sources of heat (i.e.: stove, furnace, radiator). Place the ice maker on a level surface. Make sure that there is at least 5 inches of space between the back and sides of your ice maker and the wall.
4. Allow one hour for the refrigerant fluid to settle before plugging in the unit.
5. The appliance must be positioned so that the plug is accessible.

### **CONNECTING YOUR ICE MAKER**



## **DANGER**

**\* Improper use of the grounded plug can result in the risk of electrical shock. If the power cord is damaged please call our customer dept at 888-775-0202.**

1. This unit should be properly grounded for your safety. The power cord of this appliance is equipped with a three-prong plug which connects with standard three prong wall outlets to minimize the possibility of electric shock.
2. Plug your appliance into an exclusive, properly installed, grounded wall outlet. Do not under any circumstances, cut or remove the third (ground) prong from the power cord. Any questions concerning power and/or grounding should be directed toward a certified electrician.
3. This appliance requires a standard 115 volt, 60Hz electrical outlet with three-prong ground.

Before using your ice maker, it is strongly recommended to clean it thoroughly.

**The ice maker is not designed to be installed in an outside area such as a garage or a porch. Ambient temperatures of below 45°F or above 90°F will hinder the performance of the appliance.**

## HOW TO CLEAN

Remove the ice basket.

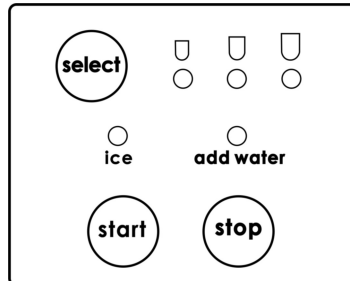
1. Turn the drain cap counter-clockwise to drain out the water
2. Clean the interior with diluted detergent, warm water and a soft cloth.
3. The outside of the ice maker should be cleaned regularly with a mild detergent solution and warm water.
4. Dry the interior and exterior with a soft cloth.
5. Close the drain cap.
6. When the machine is not in use, open water drain cap to drain water completely from water reservoir.

## CARE AND MAINTENANCE

- ▶ The ice maker should be cleaned on a regular basis. (See: "HOW TO CLEAN")
- ▶ It is necessary to have adequate ventilation space around the ice maker in order to sustain proper performance, dissipation of heat, maintain efficiency, and low power consumption. Clearance of minimum 5 inches should be maintained at the rear and sides of the unit and 8 inches at the top of the unit.
- ▶ To attain proper performance, be sure to plug the appliance into a properly grounded 115V/60 Hz outlet.
- ▶ Do not modify the power cord under any circumstances to allow the unit to be plugged into a non-grounded outlet. To avoid heat damage to the power cord, please ensure that it does not come in proximity or in direct contact with the compressor of the ice maker.
- ▶ Please avoid installing the ice maker in a location where the appliance will come in contact with water or moisture to minimize rusting of metal parts.
- ▶ The ice maker should not be installed near any heat source or in a location where it will come in direct contact with the sunlight.

## USING YOUR ICE MAKER

1. Clean your ice maker thoroughly.



2. Open the lid, remove the ice basket and pour normal tap water into tank. Keep water level below the bottom of the ice basket.
3. Plug in the unit and the medium ice cubes indicator light will blink.
4. Press "Start" on the control panel to begin the ice making cycle. The medium ice cube indicator light will light.
5. Select the size of the ice cube by pressing the "Select" button. If ambient temperature is below 60°F, it is recommended to select small or medium size to avoid ice sticking together.
6. The ice making cycle lasts 7 to 14 minutes, depending on the ambient temperature and the size of the ice cube selection.
7. While the ice maker is on, if there is low water in the water tank, the ice maker will stop working and the "Add water" indicator light will be on. Fill the water storage tank with water the ice maker will start to work automatically.
8. The ice maker automatically stops working when the ice basket is full and the "Ice" indicator will be illuminated.
9. Change water in the water reservoir every 24 hours to ensure a reasonable hygiene level. If unit is not in use, drain all water in the tank reservoir.
10. When reinstalling the basket, push it downward to its original position to ensure the temperature sensor is above the basket so as to ensure the machine works properly.



## **TROUBLESHOOTING**

| <b>PROBLEM</b>  | <b>POSSIBLE CAUSE</b>   | <b>SOLUTION</b>   |
|---|---|---|
| <b>“Add water” indicator is on.</b>                       | Water is low.   | Fill the water storage tank with water, the ice maker will start to work automatically.   |
| <b>“Ice” indicator is on.</b>                             | Ice basket is full.   | Remove ice from ice basket.   |
| <b>“Add water” and “Ice” indicator are both blinking.</b> | Ice shovel is stuck.  | Check if ice shovel is blocked by ice. If yes, please take out the ice cubes and restart. |
| <b>Ice cubes stick together.</b>                          | Ice making cycle is too long.                                       | Stop the ice maker, and restart when the ice blocks melt. Select the small ice size.      |
|   | Water temperature in inner tank is too low.                         | Change the water in the reservoir. Use water between 45 -90°F.                            |
| <b>Ice making cycle is normal but no ice is made.</b>     | Ambient temperature or water temperature in inner tank is too high. | Please operate the ice maker below ambient temperature of 90°F and use cold water.        |
|   | Refrigerant liquid leakage.   | Consult a qualified technician.   |
|   | Pipe in the cooling system is blocked.                              | Consult a qualified technician.   |



## Counter Top Ice Maker Warranty

MC Appliance Corp. warrants each new Ice Maker to be free from defects in material and workmanship and agrees to remedy any such defect or to furnish a new part(s) (at the company's option) for any part(s) of the unit that has failed during the warranty period. Parts and labor expenses are covered on this unit for a period of one year after the date of purchase. In addition, MC Appliance Corp. warrants the compressor (parts only) to be free from defects in material and workmanship for a period of 5 years. The consumer is responsible for all labor and transportation expenses related to the diagnosis and replacement of the compressor after the initial one- year warranty has expired. If in the event the unit requires replacement or refund under the terms of this warranty the consumer is responsible for all transportation expenses to return the unit to our factory prior to receiving a replacement unit or refund. **A copy of the dated sales receipt / invoice is required to receive warranty service.**

This warranty covers appliances in use within the continental United States, Puerto Rico and Hawaii. The warranty does not cover the following:

- Damages due to shipping damage or improper installation.
- Damages due to misuse or abuse.
- Content losses due to failure of the unit.
- Punctures to the evaporator system due to improper defrosting of the unit.
- Repairs performed by unauthorized service agents.
- Service calls that do not involve defects in material and workmanship such as instruction on proper use of the product, door reversal or improper installation.
- Replacement or resetting of house fuses or circuit breakers.
- Failure of this product if used for other than its intended purpose.
- Disposal costs of failed units not returned to our factory.
- Any delivery costs incurred as the result of a unit that fails to perform as specified.
- The consumer is responsible for a \$35.00 delivery charge for all replacement units provided under warranty.

This warranty is in lieu of all warranties expressed or implied and no representative or person is authorized to assume for us any other liability in connection with the sale of this product. Under no circumstances is the consumer permitted to return this unit to the factory without prior written consent from MC Appliance Corp.

| <b>Model</b> | <b>Parts</b> | <b>Labor</b> | <b>Compressor (Part Only)</b> | <b>Type of Service</b> |
|--------------|--------------|--------------|-------------------------------|------------------------|
| MCIM30SST    | One- Year    | One- Year    | Five Years                    | Carry In               |

For Service or Assistance please call 888 775-0202 or visit us on the web at [www.mcappliance.com](http://www.mcappliance.com).

## Free Manuals Download Website

<http://myh66.com>

<http://usermanuals.us>

<http://www.somanuals.com>

<http://www.4manuals.cc>

<http://www.manual-lib.com>

<http://www.404manual.com>

<http://www.luxmanual.com>

<http://aubethermostatmanual.com>

Golf course search by state

<http://golfingnear.com>

Email search by domain

<http://emailbydomain.com>

Auto manuals search

<http://auto.somanuals.com>

TV manuals search

<http://tv.somanuals.com>