



Microwave Oven

Use and Care Manual

MCO153UWF / MCO153UBF / MCO153SF / MCO153UQF

Table of Contents

Introduction	1
Precautions to Avoid Possible Exposure to Excessive Microwave Energy	1
Important Safety Instructions	2-3
Installation Recommendations	4
Control Panel	5-6
Oven Features at a Glance	7
Operating Basics	8-12
Special Features	12-17
Care and Cleaning	18-20
Questions and Answers	21
Before You Call	22
Warranty	23

IMPORTANT SAFETY INSTRUCTION

Never operate the oven when it is empty or without the glass turntable.

Introduction

Congratulations on your purchase of an over-the-range microwave oven. For best results, we suggest reading this guide carefully. You will find instructions on the proper operation and maintenance of your microwave.

PRECAUTIONS TO AVOID POSSIBLE EXPOSURE TO EXCESSIVE MICROWAVE ENERGY

- A. Do not** attempt to operate this oven with the door open since open-door operation can result in harmful exposure to microwave energy. It is important not to defeat or tamper with the safety interlocks.
- B. Do not** place any object between the oven front face and the door or allow soil or cleaner residue to accumulate on sealing surfaces.
- C. Do not** operate the oven if it is damaged. It is particularly important that the oven door close properly and that there is no damage to the: (1) door (bent), (2) hinges and latches (broken or loosened), (3) door seals and sealing surfaces.
- D.** The oven should not be adjusted or repaired by anyone except properly qualified service personnel.

IMPORTANT SAFETY INSTRUCTIONS

When using electrical appliances, basic safety precautions should be followed, including the following:

▲ WARNING - To reduce the risk of burns, electric shock, fire, injury to persons or exposure to excessive microwave energy:

1. Read all instructions before using the appliance.
2. Read and follow the specific "PRECAUTIONS TO AVOID POSSIBLE EXPOSURE TO EXCESSIVE MICROWAVE ENERGY" found on page 1.
3. This appliance must be grounded. Connect only to properly grounded outlet. See "GROUNDING INSTRUCTIONS" on page 4.
4. Install or locate this appliance in accordance with the provided installation instructions. Do not mount over a sink.
5. **This over-the-range oven was designed for use over ranges no wider than 30 inches.** It may be installed over both gas and electric cooking equipment.
6. **For best operation, plug this appliance into its own electrical outlet, to prevent flickering of lights, blowing of fuse or tripping of circuit breaker.**
7. Some products such as whole eggs and sealed containers - for example, closed jars - are able to explode and should not be heated in this oven. In rare instances, poached eggs have been known to explode. Cover poached eggs and allow standing time of one minute before cutting into them.
8. Foods with unbroken outer "skin" such as potatoes, sausages, tomatoes, apples, chicken livers and other giblets, and egg yolks (see previous caution) should be pierced to allow steam to escape during cooking. "Boilable" cooking pouches and tightly closed plastic bags should be slit, pierced or vented.
9. Do not heat, store or use flammable materials in or near the oven. Fumes can create a fire hazard or explosion.
10. Use this appliance only for its intended use as described in this manual. Do not use corrosive chemicals or vapors in this appliance. This type of oven is specifically designed to heat, cook or defrost food. It is not designed for industrial, laboratory or commercial use. It is intended for home use only.
11. As with any appliance, close supervision is necessary when used by children.
12. Do not operate this appliance if it has a damaged cord or plug, if it is not working properly or if it has been damaged or dropped.
13. This appliance should be serviced only by qualified service personnel. Contact nearest authorized service facility for examination, repair or adjustment.
14. Do not cover or block any openings on the appliance.
15. Do not use or store this appliance outdoors. Do not use this product near water - for example, near a kitchen sink, in a wet basement or near a swimming pool, or similar locations.
16. Do not immerse cord or plug in water.
17. Keep cord away from heated surfaces.
18. Do not let cord hang over edge of table or counter.
19. When cleaning surfaces of door and oven that come together on closing the door, use only mild, non-abrasive soaps or detergents applied with a sponge or soft cloth.
20. To reduce the risk of fire in the oven cavity:
 - a. Do not overcook food. Carefully attend appliance when paper, plastic or other combustible materials are placed inside the oven to facilitate cooking. Avoid using recycled paper products. Do not use newspaper or other printed paper in the oven. Such products sometimes contain impurities which could ignite.
 - b. Remove wire twist-ties from paper or plastic bags before placing them in oven.
 - c. If materials inside the oven ignite, keep oven door closed, turn oven off and disconnect the power cord or shut off power at the fuse or circuit breaker panel.
 - d. Do not use the oven for storage. Do not leave paper products, cooking utensils or food in the oven when not in use.
 - e. Do not pop popcorn except in a microwave approved popcorn popper or in a commercial package recommended especially for microwave ovens.
 - f. Do not overcook potatoes. They may dehydrate and catch fire.
 - g. Do not use for drying clothes, linens, newspaper or similar non-food type items.
21. **Do not operate the oven when empty or with an empty utensil to avoid damage to the oven and danger of fire.**
22. Do not lean on the oven door. The door is designed to close tightly and seal properly for safe operation. Leaning on the door may warp or break the hinges.

...more

IMPORTANT SAFETY INSTRUCTIONS cont.

23. To avoid exposure to dangerous high voltage, **DO NOT REMOVE THE SPLATTER SHIELD** inside the oven cavity.
24. Liquids, such as water, coffee, or tea are able to be overheated beyond the boiling point without appearing to be boiling due to surface tension of the liquid. Visible bubbling or boiling when the container is removed from the microwave oven is not always present. **THIS COULD RESULT IN VERY HOT LIQUIDS SUDDENLY BOILING OVER WHEN A SPOON OR OTHER UTENSIL IS INSERTED INTO THE LIQUID.** To reduce the risk of injury to persons:
- ① Do not overheat the liquid.
 - ② Stir the liquid both before and halfway through heating it
 - ③ Do not use straight-sided containers with narrow necks.
 - ④ After heating, allow the container to stand in the microwave oven for a short time before removing the container.
 - ⑤ Use extreme care when inserting a spoon or other utensil into the container.
25. **Read and follow specific microwave oven preparation instructions on food packages or containers (especially baby food). Above all, this is a cooking appliance designed to prepare food.**
26. Use only cooking utensils and accessories made for use in the microwave and specifically described in this manual.
27. Microwave oven manufacturers do not recommend deep fat frying or frying in a microwave oven. Hot oil can damage oven parts and utensils and even result in skin burns.
28. Plastic wrap : Use only those types designed for microwave oven use and avoid forming an air-tight seal. Fold back a small corner or cut a small slit to allow steam to escape.
29. Stay near the appliance while it is in use and check cooking progress frequently. Leaving the appliance unattended may result in overcooked food and possibly a fire in your oven.
30. **Foods cooked in liquids** (such as pasta) may tend to boil over more rapidly than foods containing less moisture. Should this occur, refer to the Care and Cleaning section for instructions on how to clean the inside of the oven.
31. Do not use a thermometer in food you are microwaving unless the thermometer is designed or recommended for use in the microwave oven.
32. Plastic cookware designed for microwave cooking is very useful, but should be used carefully. Even microwave-safe plastic may not be as tolerant of overcooking conditions as are glass or ceramic materials and may soften or char if subjected to short periods of overcooking. In longer exposures to overcooking, the food and cookware could ignite. For these reasons: 1) Use microwave-safe plastics only and use them in strict compliance with the cookware manufacturer's recommendations. 2) Do not subject empty cookware to microwaving. 3) Do not permit children to use plastic cookware without complete supervision.
33. **Do not store anything directly on top of the microwave oven surface when the oven is in operation.**
34. TV dinners may be microwaved in foil trays less than 3/4" deep; remove top foil cover and return tray to box. When using metal in microwave oven, keep metal at least 1 inch away from the sides of the oven.
35. Do not defrost frozen beverages in narrow necked bottles.
36. Cookware may become hot because of heat transferred from the heated food. Potholders may be needed to handle the cookware.
37. Do not try to melt paraffin wax in the oven. Paraffin wax will not melt in a microwave oven because it allows microwaves to pass through it.
38. Never use sharp-edged utensils in or near the oven.
39. Hot foods and steam can cause burns. Be careful when opening containers of hot food, including popcorn bags, cooking pouches and boxes. To prevent possible injury, direct steam away from hands and face.
40. Clean the vent hood often. Do not allow grease to build up on the hood or the filter.
41. Use care when cleaning the vent hood filter. Corrosive cleaning agents, such as lye-based oven cleaners, may damage the filter.
42. When flaming foods are under the hood, **turn the fan off.** The fan, if operating may spread the flame.

SAVE THESE INSTRUCTIONS

Installation Recommendations

Remove all packing materials both outside and inside the oven before using the oven. The oven requires free movement of air for proper operation. Do NOT block air vents located by the top air grill and underneath the oven.

Grounding Instructions

This appliance must be grounded. In the event of an electrical short circuit, grounding reduces the risk of electric shock by providing an escape wire for the electric current. This appliance is equipped with a cord having a grounding wire with a grounding plug. The plug must be plugged into a 120v, 15amp. outlet that is properly installed and grounded.

▲ WARNING - Improper use of the grounding plug can result in a risk of electric shock.

Consult a qualified electrician or service technician if the grounding instructions are not completely understood or if doubt exists as to whether the appliance is properly grounded.

Where standard two-prong wall receptacle is encountered, it is your personal responsibility and obligation to have it replaced with a properly grounded three-prong wall receptacle.

Do not under any circumstance cut or remove the third (ground) prong from the power cord. Do not use an adapter plug with this appliance. See pages 1 and 2 of the Installation Manual for acceptable extension cord specifications.

Interference Note

Microwave ovens generate radio frequency energy during operation and if not installed properly may cause interference to radio and television reception. You can determine if this unit is causing interference by turning it on and off while the interference is occurring. If interference occurs, it may be corrected by one or more of the following measures:

- ◆ clean door and seal surfaces of the oven;
- ◆ reorient the television or radio receiving antenna;
- ◆ the oven with respect to the television or radio receiver, and/or
- ◆ Plug the oven into a different outlet so that it and the television or radio receiver are on different circuits.

If the interference persists, you may want to consult an experienced radio/television technician for additional

Automatic Fan Protection feature

Cooking appliances installed under the microwave oven may, under some heavy usage conditions, cause temperatures high enough to overheat some internal parts of the microwave oven.

To prevent overheating from taking place, the exhaust fan is designed to automatically turn on at a low speed if

excessive temperatures occur. Should this happen, the fan cannot be manually turned off, but it will automatically turn off when the internal parts have cooled. The fan may stay on for up to an hour after the range and microwave oven controls have been turned off.

Microwaving Tips

- ◆ Make sure all cookware used in your microwave oven is suitable for microwaving. Most glass cooking dishes, measuring cups, custard cups, pottery or china dinnerware, which does not have metallic trim or glaze with metallic sheen, can be used.
- ◆ If you are not sure if a dish is microwave-safe, use this test: Place in the oven the dish you are testing and a glass measuring cup filled with one cup of water. Set the measuring cup either in or next to the dish.

Microwave 1 minute at high. If the dish heats, it should not be used for microwaving. If the dish remains cool and only the water in the cup heats, then the dish is microwave-safe.

- ◆ Paper towels, waxed paper and plastic wrap can be used to cover dishes in order to retain moisture and prevent spattering. Be sure to vent plastic wrap so steam can escape.

Touch Control Panel

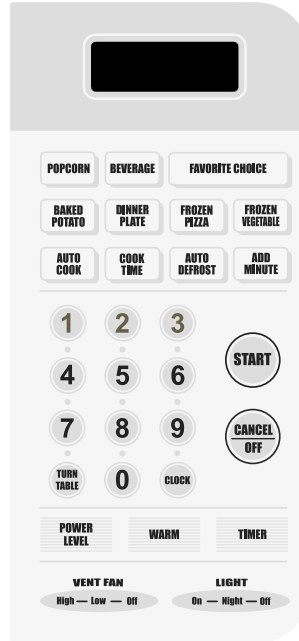
The Touch Control Panel allows you to set the oven controls with the touch of a finger. It's designed to be easy to use and understand.

1. **DISPLAY** - Displays time of day, time or temperature during cooking functions, power level being used, cooking mode and instructions.
2. **POPCORN** - Touch this pad to cook prepackaged microwave popcorn weighing 1.75 or 3.5 ounces. The oven will start automatically. (Page 12)
3. **BEVERAGE** - Touch this pad to reheat a beverage. The oven will start automatically. (Page 13)
4. **FAVORITE CHOICE** - Touch this pad to recall three cooking instructions placed in memory and to program sound level of signals, scroll speed and disable clock display. (Page 13)
5. **BAKED POTATO** - Touch this pad to cook 1-4 potatoes. The oven will start automatically. (Page 13)
6. **DINNER PLATE** - Touch this pad to reheat a dinner plate full of chilled leftovers. (Page 13)
7. **FROZEN PIZZA** - Touch this pad to heat frozen pizza. The oven will start automatically. (Page 13)
8. **FROZEN VEGETABLE** - Touch this pad to cook frozen vegetables. The oven will start automatically. (Page 14)
9. **AUTO COOK** - Will automatically compute the microwave power and cook time. Refer to Auto Cook Guide. (Page 14)
10. **COOK TIME** - Microwave for a selected amount of time.
 - ◆ Power Level 10 (High) is automatic but lower heat levels may be programmed. (Page 8)
11. **AUTO DEFROST** - Touch this pad and enter food weight, then START. The oven automatically sets power levels and defrosting time. (Page 10)
12. **ADD MINUTE** - Touch this pad for 1 minute of cook time, to add 1 minute of cook time as the timer is counting down or for an "instant on" for 1 minute. (Page 9)
13. **POWER LEVEL** - Touch this pad if you want to change from automatic Power Level 10 (High) for cooking. (Page 8-9)
14. **NUMBER PADS** - Touch these pads to enter cooking time, defrosting time, time of day, power level or food weights for Auto Defrost.
15. **WARM** - Touch this pad and safely keep food warm for up to 30 minutes. (Page 13)
16. **TIMER** - This feature uses no microwave energy. It functions as a kitchen timer, as a holding period after defrost or as a delay timer before time cooking. (Page 9)
17. **TURNTABLE** - Touch this pad to turn the turntable on and off. (Page 16)
18. **CANCEL/OFF** - When touched once, it pauses the oven operation. When touched twice, it shuts off the oven and erases all settings (except time of day).
19. **CLOCK** - Touch this pad to enter time of day or check time of day while microwaving. (Page 8)
20. **START** - After all selections are made, touch this pad to start the oven or timer.
21. **VENT FAN** - Touch this pad if you want to know the feature of key pad on the control panel. (Page 17)
22. **LIGHT** - Touch this pad to turn on or off the surface light and night light. (Page 17)

< MCO153UWF/MCO153UQF >

< MCO153SF >

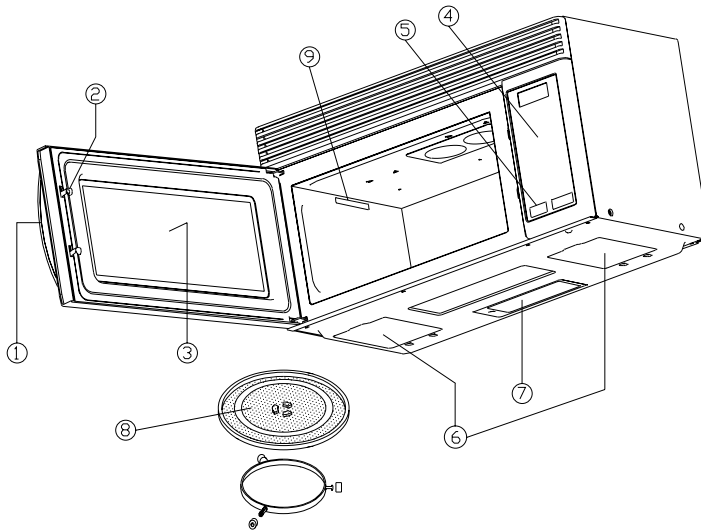
< MCO153UBF >



- ◆ Each time a pad is touched, a BEEP will sound.
- ◆ When **CANCEL/OFF Pad** is touched during oven operation, the oven will stop, however, all programmed information is retained. To clear all information, touch the **CANCEL/OFF Pad** again.

NOTE: Styling and features may differ slightly depending on model.

Oven Features at a Glance



1. DOOR HANDLE - Pull to open door. Door must be securely latched for oven to operate.

2. DOOR LATCHES

3. WINDOW with METAL SHIELD - Screen allows cooking to be viewed while keeping microwaves confined in oven.

4. TOUCH CONTROL PANEL and DIGITAL DISPLAY - For detailed information on each feature, see Touch Control Panel section, page 5.

5. HOOD CONTROLS

Vent Fan - Press High, Low or Off

Light - Press On, Night or Off

6. GREASE FILTERS

7. COOKTOP LIGHT

8. TURNTABLE - Composed of glass tray and roller guide. The roller guide is placed first in the bottom of the microwave and supports the glass tray. **Both parts must be in place when using the microwave oven.**

9. DATA PLATE - Located on the inside wall of the microwave oven.

Operating Basics

Time-of-Day Clock

Basic Instructions

1. Touch the **CLOCK Pad**. "CLOCK ENTER TIME" Will be displayed.
2. Set the time of day by touching the appropriate numbers. The selected time appears and "PRESS CLOCK AGAIN" will be displayed.
3. Touch the **CLOCK Pad** again. The colon will flash.

- ◆ After plugging in the oven or after a power outage, the **Display** will scroll "TOUCH CLOCK PAD TO ENTER TIME OF DAY". Touch the **CANCEL/OFF Pad** and set the clock following the directions above.
- ◆ The "time-of-day" clock is a 12 hour clock.
- ◆ If set, the time of day will always be displayed when no other cooking function is being used.
- ◆ The time of day returns to the current time when the oven turns off.

Cook Time/Power Level

Basic Instructions

1. Touch the **COOK TIME Pad**. "ENTER COOKING TIME" Will be displayed.
2. Enter the cooking time by using the number pads.
For example, for 5 minutes touch number 5,0,0. The selected time and "PRESS START" will be displayed.

3. Touch the **START Pad** again. "COOK TIME" and selected time will be displayed.

- ◆ The cooking time will appear in the Display window.
- ◆ The oven will start cooking and time countdown will begin.
- ◆ The oven will stop automatically when the time is done and beep three times.
- ◆ When the cook time ends, "END COOK" appears in the Display.

- ◆ Start with the shortest recommended time and add more time as needed.
- ◆ Check the food as it cooks.
- ◆ The oven door can be opened any time during operation. It will automatically stop and maintain the time setting until the door is closed and the **START Pad** is touched again.
- ◆ If the **START Pad** is touched and the oven does not operate, check the area between the door and door seal for obstructions. The oven will not start until the door is completely closed.

Note . . .

- ◆ *Full power is automatic. If you wish to use a different power level, touch the **POWER Pad** before touching **START Pad**. "POWER LEVEL IS HI [10]. TOUCH 1-9 FOR NEW POWER LEVEL. PRESS START" will be displayed. Enter the power level desired by touching the appropriate number pad. The selected power level and "PRESS START" will be displayed. (See **Cooking Guide on page 9**).*

Operating Basics

Power Level Cooking Guide

The power levels on your microwave oven can be compared to the surface units on a range. High (power level 10) or full power is the fastest way to cook and gives you 100% power.

Each power level gives you microwave energy for a certain percent of time, for example, power level 7 is microwave energy 70% of the time. Most of your cooking will be done on High (Power Level 10). a lower setting will cook more evenly and with less attention given to stirring or rotating the food. Some foods may have better flavor, texture or appearance if one of the lower settings is used. You may wish to use a lower power level when cooking foods that have a tendency to boil over, such as scalloped potatoes. Cooking times will increase as power level decreases.

Power Level	Best Uses
High 10	Fish, bacon, vegetables, boiling liquids.
Medium 7	Gentle cooking of meat and Poultry, baking casseroles and reheating.
Medium 5	Slow cooking and tenderizing for stews and less tender cuts of meat.
Low 3	Defrosting, simmering, delicate sauces.
Warm 1	Keeping food warm without overcooking, softening butter.

Add Minute

The **ADD MINUTE Pad** provides a convenient way to heat foods at full power with one touch of a pad or add an extra minute to your cooking cycle while in progress.

The microwave starts automatically after the pad is touched.

Basic Instructions

1. Touch the **ADD MINUTE Pad**. The **Display** will show "PRESS AGAIN TO ADD MIN".

ADD MINUTE cannot be used with **ONE TOUCH COOKING FUNCTIONS, SENSOR COOK, AUTO DEFROST, TIMER, FAVORITE CHOICE** or **WARM**. Each time the pad is touched the oven will add 1 minute to the time up to 99 minutes.

Timer

Basic Instructions

1. Touch the **TIMER Pad**. The **Display** will show "ENTER TIME".
2. Enter desired time. The **Display** will show the selected time and "PRESS START".
3. Touch the **START Pad**. The **Display** will show "TIMER" and selected time.

- ◆ The timer can be programmed up to 99 minutes and 99 seconds.
- ◆ Three beeps signal the end of the timing operation.
- ◆ To stop the timer once it has started, touch the **CANCEL/OFF Pad** twice. Display will return to the time of day or cooking program.
- ◆ The timer cannot be set while cooking.
- ◆ The door must be shut for the timer to operate.

Auto Defrost

Use the defrost setting for defrosting meats, poultry and fish from 0.5 pounds to 6.5 pounds.

Basic Instructions

- ◆ Touch the **AUTO DEFROST Pad** once for meat. "MEAT DEFROST ENTER FOOD WEIGHT IN LBS" Will be displayed.
 - ◆ Touch the **AUTO DEFROST Pad** twice for poultry. "POULTRY DEFROST ENTER FOOD WEIGHT IN LBS" will be displayed.
 - ◆ Touch the **AUTO DEFROST Pad** three times for fish. "FISH DEFROST ENTER FOOD WEIGHT IN LBS" will be displayed.
- Touch number pads to enter the weight. *The defrosting time and power levels are automatically calculated.
- Touch the **START Pad**. "DEFROST TIME" and time appear in the **Display**.

* Enter the weight in pounds and tenths of a pound.
See Conversion Chart below.

- ◆ During defrosting, the oven will beep a series of short beeps to signal that the food needs to be turned or rearranged. "TURN FOOD OVER" will be displayed. Oven will continue operation if food is not turned or rearranged. Three beeps signal the end of defrosting. "END DEFROST" appears in the **Display**.
- ◆ During defrosting meat and fish, the food needs to be turned or rearranged twice. During defrosting poultry, the food needs to be turned or rearranged once.

Conversion Chart

If weight is in ounces-	then weight is converted to tenths-of-a-pound.
1 to 2-oz.	0.1
3 to 4-oz.	0.2
5-oz.	0.3
6 to 7-oz.	0.4
8-oz.	0.5
9 to 10-oz.	0.6
11 to 12-oz.	0.7
13-oz.	0.8
14 to 15-oz.	0.9

Defrost by Time

Basic Instructions

- Touch the **TIME Pad**. "ENTER COOKING TIME" Will be displayed.
- Enter defrosting time desired.
- Touch the **POWER Pad**. "POWER LEVEL IS HI [10]" will be displayed.
- Touch **NUMBER "3" Pad**. "PL-30 PRESS START" will be displayed.
- Touch the **START Pad**.

Note . . .

- ◆ Three short beeps indicate an incorrect entry.
- ◆ See page 11 for additional defrosting tips for both Auto and Time Defrost.

Operating Basics

Defrost by Time Guide (Power Level 3)

Items and Weight Time	Defrosting Time	Standing	Procedures and Techniques
Beef			
Ground Beef/1 lb.	10-12 min.	5 min.	Break apart and remove thawed portions with fork.
Ground Beef/2 lbs.	18-20 min.	8-12 min.	Break apart and remove thawed portions with fork.
Beef Roast, boneless/3 lbs.	26-28 min.	7-10 min.	Turn over part way. Shield ends or thinner areas with foil.
Steaks/1" thick	7-8 min.	5-7 min.	Separate and rearrange once.
Pork			
Pork Roast, boneless/3 lbs.	20-22 min.	10-15 min.	Turn over part way. shield ends or thinner areas with foil.
Pork Chops/1 lb	7-8 min.	5-7 min.	Separate and rearrange once.
Ground Pork/1 lb.	10-12 min.	5-7 min.	Break apart and remove thawed portions with fork.
Spareribs/1 1/2 lbs.	15-16 min.	5-7 min.	Turn meat over and rearrange, separate once.
Poultry			
Whole Chicken/3 lbs.	20-22 min.	10-15 min.	Turn chicken over. shield wing tips, leg ends and breast areas with foil. Breast side down.
Chicken Breasts boneless/1 lb.	7-8 min.	5-7 min.	Separate and rearrange once.
Chicken Thighs/2 lbs.	18-23 min.	8-13 min.	Separate and rearrange once.
Fish			
Fish Fillets/1 lb.	10-11 min.	5-7 min.	Separate and rearrange once. Shield as needed.

General Defrosting Tips

- Do not defrost covered meat. Covering might allow cooking to take place. Always remove outer wrap and tray. Place food on a microwave-safe rack in a dish.
- Begin defrosting whole poultry breast-side-down. Begin defrosting roasts fat-side-down.
- The shape of the package alters the defrosting time. Shallow rectangular shapes defrost more quickly than a deep block.
- Auto Defrost is programmed for specific weights. Defrost results will be affected if you enter an incorrect weight.
- Auto Defrost is programmed for frozen food at 0° F. If food is stored at a higher temperature, expect shorter defrost times.
- After 1/3 of the defrost time has elapsed, check the food. You may wish to turn over, break apart, rearrange or remove thawed portions of the food.
- During Auto Defrost, the oven will prompt you to turn the food over.** At this point, open oven door and check the food. Follow the techniques listed below for optimum defrost results. Then, close oven door, touch the START Pad to complete defrosting.
 - ◆ **Turn Over** : Roast, ribs, whole poultry, turkey breasts, hot dogs, sausages, steaks, or chops.
 - ◆ **Rearrange** : Break apart or separate steaks, chops, hamburger patties, ground meat, chicken or seafood pieces, chunks of meat such as stew beef.
 - ◆ **Shield** : Use small strips of aluminum foil to protect thin areas or edges of unevenly shaped foods such as chicken wings. To prevent arching, do not allow foil to come within 1-inch of oven walls or door.
 - ◆ **Remove** : To prevent cooking, thawed portions should be removed from the oven at this point. This may shorten defrost time for foods weighing less than 3-lbs.
- After defrosting, allow food to stand 5 to 10 minutes if there are any icy areas. If large solid roasts, such as sirloin tip or rump roasts, are not completely thawed after standing, return roast to oven and program **Auto Defrost** for 1 lb.

Two Stage Cooking

This feature lets you program two sequential operations such as defrosting and cooking or cooking

using two different power levels. It automatically changes power settings and cooking time.

Basic Instructions

1. Touch the **COOK TIME Pad**. "ENTER COOKING TIME" will be displayed.
2. Touch the appropriate number pads to enter the cooking time. The selected time and "PRESS START" will be displayed.
3. Touch the **POWER Pad**. *"POWER LEVEL IS HI [10]. TOUCH 1-9 FOR NEW POWER LEVEL---PRESS START"
4. Touch the number pad for the power level you desire. *The selected power level and "PRESS START" will be displayed.
5. Touch the **COOK TIME Pad** again. "ENTER SECOND COOKING TIME" will be displayed.
6. Touch the appropriate number pads to enter the cooking time for the second stage of cooking. The selected time and "PRESS START" will be displayed.
7. Touch the **POWER Pad**. *"POWER LEVEL IS HI [10]. TOUCH 1-9 FOR NEW POWER LEVEL---PRESS START" will be displayed.
8. Touch the number pad for the power level you desire. * The selected power level and "PRESS START" will be displayed.
9. Touch the **START Pad**.

- ◆ Three beeps signal the end of cooking. "END COOK" appears in the Display.
- ◆ The audible beep between stages can serve as a reminder to add foods or ingredients.

* Skip steps 3 and 4 or 7 and 8 if full power is desired.

Special Features

Popcorn

Basic Instructions

1. Touch the **POPCORN Pad** once for 3.5 oz. package. The **Display** will show "3.50 OZ BAG OF POPCORN" or
2. Touch the **POPCORN Pad** twice for 1.75 oz. package. The **Display** will show "1.75 OZ BAG OF POPCORN".

- ◆ The POPCORN Pad has been automatically set for the correct cook time for a 3.5 oz. or 1.75 oz. bag of popcorn.

- ◆ Listen as the popcorn pops and stop the microwave when the popping slows down to 3 seconds apart.
- ◆ Do not try to repop unpopped kernels or reuse a bag.
- ◆ Pop only one package at a time.

CAUTION: If prepackaged popcorn is a different weight than the recommended weight, do not use the **POPCORN Pad**. Inadequate popping or a fire may occur. Follow manufacturer's instructions.

Special Features

Dinner Plate

Basic Instructions

1. Touch the **DINNER PLATE Pad**. The **Display** will show "DINNER PLATE"

- ◆ The programmed time (2:40) will show in the **Display**.
- ◆ Place meat and dense vegetables to the outside of the plate.
- ◆ Place delicate foods in the center of the plate.
- ◆ Cover the plate with wax paper to hold steam around most foods except rare meats or vegetables with crisp exteriors.

Frozen Pizza

Basic Instructions

1. Touch the **FROZEN PIZZA Pad**. The **Display** will show "PIZZA"

- ◆ The programmed time (3:00) will show in the **Display**.
- ◆ Time set is for a 6.0-7.5 oz. pizza.
- ◆ Cook only one pizza at a time.
- ◆ Follow manufacturer's directions.
- ◆ Use only frozen pizza labeled microwaveable.
- ◆ If cheese pizza does not melt sufficiently, cook a few seconds longer.

Beverage

Basic Instructions

1. Touch the **BEVERAGE Pad** once for 1 cup (7 oz.)/mug. The **Display** will show "1CUP".
2. Touch the **BEVERAGE Pad** twice for 2 cups (14 oz.)/mugs. The **Display** will show "2CUPS".
3. Touch the **BEVERAGE Pad** three times for 3 cups (21 oz.)/mugs. The **Display** will show "3CUPS".

Baked Potato

Basic Instructions

1. Touch the **BAKED POTATO Pad**:
 - ◆ once for 1 medium potato (7 oz.)
 - ◆ twice for 2 medium potatoes (14 oz.)
 - ◆ three times for 3 medium potatoes (21 oz.)
 - ◆ four times for 4 medium potatoes (28 oz.)
 - ◆ The **Display** will show "1 EA POTATO", "2 EA POTATO", "3 EA POTATO" or "4 EA POTATO"

Warm

Basic Instructions

1. Touch the **WARM Pad**. The **Display** will show "WARM PRESS START".
2. Touch the **START Pad**.

- ◆ The microwave oven will safety keep cooked foods warm for up to 30 minutes.
- ◆ Opening the door or touching the **CANCEL/OFF Pad** cancels the **WARM** setting.
- ◆ Foods that were covered during cooking should be covered during warming.
- ◆ Complete meals on a dinner plate should be covered.

Favorite Choice

To Program Favorite choice Setting:

1. Touch the **COOK TIME Pad**. Enter cooking time.
2. Touch the **Power Pad**.
3. Enter power level. Example "5" for 50% power level.
4. Touch the **FAVORITE CHOICE Pad**.
5. Touch the **CANCEL/OFF Pad** to place in memory.

When a program has been entered, "MEMO" will appear in the **Display** to let you know that the program has been entered.

NOTE: Repeat steps 1-5 for **FAVORITE CHOICE Programs 2 and 3**.

To Change Favorite Choice Setting:

- ◆ Touch and hold **FAVORITE CHOICE Pad** for 3 seconds or until a beep sounds. **Display** shows "PROG-1". Previously set information will be erased.
- ◆ Follow previous steps 1-5 to program new settings.

To Use Favorite Choice:

1. Put food in oven and close door.
2. Touch **FAVORITE CHOICE Pad**. "PROG-1" will appear in the **Display**.
 - ◆ To select program 2 or 3 press **FAVORITE CHOICE Pad** until desired program number appears in the **Display**.
3. Touch the **START Pad**.

To Program Favorite Choice Signal Sound, Scroll Speed and Clock Display:

Touch **FAVORITE CHOICE Pad** four times “PROG-4 SELECT TYPE ENTER 1-6” will be displayed.

To Change Signal Sound:

- ◆ Touch number pad 1. “BUZZER ON” will be displayed. Touch **CANCEL/OFF Pad**.
- ◆ Touch number pad 2. “BUZZER OFF” and “MUTE” will be displayed. “MUTE” will remain in the **Display** until the buzzer is turned on. Touch **CANCEL/OFF Pad**.

To Change Scroll Speed:

- ◆ Touch number pad 3. “FAST SCROLL SPEED” will be displayed. Touch **CANCEL/OFF Pad**.
- ◆ Touch number pad 4. “NORMAL SCROLL SPEED” will be displayed. Touch **CANCEL/OFF Pad**.
- ◆ Touch number pad 5. “SLOW SCROLL SPEED” will be displayed. Touch the **CANCEL/OFF Pad**.

To Turn Clock Display On/Off:

- ◆ Touch number pad 6. Signal will sound and the **Display** will go blank. To recall the time of day, touch the **START Pad** and the current time of day will be displayed for 10 seconds.

Frozen Vegetable

Basic Instructions

1. Touch the **FROZEN VEGETABLE Pad** once for 8 oz. frozen vegetable. The **Display** will show “8 OZ FROZEN VEGETABLE”
2. Touch the **FROZEN VEGETABLE Pad** twice for 10 oz. frozen vegetable. The **Display** will show “10 OZ FROZEN VEGETABLE”.
3. Touch the **FROZEN VEGETABLE Pad** three times for 16 oz. frozen vegetable. The **Display** will show “16 OZ FROZEN VEGETABLE”.
4. Touch the **FROZEN VEGETABLE Pad** four times for 20 oz. frozen vegetable. The **Display** will show “20 OZ FROZEN VEGETABLE”.

Auto Cook

Basic Instructions

1. Touch the **AUTO COOK Pad** until the desired food is displayed. *
2. Touch the number pad indicated on the **Cooking Guide** for the cooking weight desired.*
3. Touch the **START Pad**.

* See the following chart or the *Cooking Guide Label* on the front of the oven cavity.

- ◆ Auto Cook has preset times and power levels for four food categories: Soup, Fresh Vegetables, Muffins and Fish Fillets.
- ◆ The **DISPLAY** counts down the cooking time.

Auto Cook Guide

FOOD	TOUCH AUTO COOK PAD	NUMBER PAD	QUANTITY
Soup	Once	1	8 oz.
		2	16 oz.
		3	24 oz.
		4	32 oz.
Fresh Vegetables	Twice	1	4 oz.
		2	8 oz.
		3	12 oz.
		4	16 oz.
Muffins	Three Times	1	2 ea.
		2	4 ea.
		3	6 ea.
		4	8 ea.
Fish Fillets	Four Times	1	4 oz.
		2	8 oz.
		3	12 oz.
		4	16 oz.

Cooking Tips and Techniques

- ◆ For best results, cover container with plastic wrap and turn back one edge of the wrap to form a 1/2-inch slot where steam can escape.
- ◆ After cooking fresh vegetables, allow 3-5 minutes of stand time before serving. This will allow the food to finish cooking without overcooking.
- ◆ When preparing fresh vegetables, add 1/2 cup of water per 1/2 pound of fresh vegetables.

Special Features

Auto Start

The AUTO START feature allows you to program your oven to begin cooking at a preset time of day - up to a delay of 11 hours and 59 minutes. You can program two sequential operations using two different power levels.

Basic Instructions

1. Touch **COOK TIME Pad**.
2. Enter the cooking time. *
3. Touch the **POWER Pad**.
4. Enter the Power level.
5. Touch **COOK TIME Pad**.
6. Enter the cooking time.
7. Touch the **POWER Pad**.
8. Enter the power level.
9. Touch **CLOCK Pad**.
10. Enter the clock time you want the oven to start.
11. Touch the **START Pad**.**

- ◆ Do not use foods containing baking powder or yeast when using **AUTO START**. They will not rise properly.
- ◆ **Warning:** Do not use foods that will spoil while waiting for cooking to start, such as dishes with milk or eggs, cream soups and cooked meats or fish. Any food that has to wait for cooking to start should be very cold or frozen before it is put in the oven. Unfrozen foods should never stand more than two hours before cooking starts. Do not allow food to remain in the oven for more than two hours after end of cooking cycle.

To Check Auto start Time:

Touch the **CLOCK Pad**. The programmed AUTO START time and "AUTO START COOKING TIME" will appear in the **Display**.

Tips on setting Auto Start:

- ◆ Before setting, check that the correct time of day is displayed.
- ◆ If you hear the fan start when you touch the **START Pad**, you have not set the oven properly. Touch the **CANCEL/OFF Pad** and start over.

More or Less Time Adjustment

You may increase or decrease any of the pre-set settings for the ONE TOUCH COOKING FEATURES except the SNACK feature if you prefer more or less cooking time.

To Adjust the Pre-set Settings:

1. Touch the **POWER Pad** once to increase the time by 20 seconds or twice to decrease the time by 20 seconds.
2. Touch the desired **ONE TOUCH COOKING Pad**.

Turntable On/Off

For best cooking results, leave the turntable on. When using larger dishes, it can be turned off.

- ◆ Press **TURNTABLE** Pad to turn the turntable on or off.
- ◆ Display will show the **T/T OFF** indicator light.
- ◆ **TURNTABLE** cannot be turned off with the following options: **POPCORN, BEVERAGE, BAKED POTATO, DINNER PLATE, FROZEN PIZZA, FROZEN VEGETABLE, SNACK, SENSOR COOK.**

Control Lockout

The oven operation can be locked to prevent the microwave from accidentally being turned on. All oven functions can be locked.

To Set:

Touch and hold the **CANCEL/OFF** Pad for three seconds. The Display shows "LOCKED" and the oven beeps.

To Cancel:

Touch and hold the **CANCEL/OFF Pad** for three seconds. "LOCKED" disappears from the **Display** and the oven beeps.

Special Features

Using the Vent Fan

You can control the 2-speed fan by touching the VENT FAN Pad.

Basic Instructions

1. Touch the VENT FAN Pad once for HIGH speed.
The Display will scroll "HIGH VENT FAN".
2. Touch the VENT FAN Pad twice for LOW speed.
The Display will scroll "LOW VENT FAN".
3. Touch the VENT FAN Pad three times for turning vent fan off.
The Display will scroll "OFF VENT FAN".

To Set Fan to Run for a Specific Time:

1. Start fan by touching the VENT FAN Pad.
2. Program run time.
 - ◆ Touch the **TIMER Pad** and hold for 3 seconds. **Display** will show "FAN".
3. Enter desired time.
4. Touch the **START Pad**.

To Cancel Timer:

- ◆ Touch **CANCEL/OFF Pad** twice.

Note . . .

- ◆ If the temperature gets too hot around the microwave oven, the exhaust fan in the vent hood will automatically turn on the **Low** setting to protect the oven. It may stay on up to an hour to cool the oven. When this occurs, the **Fan Off Pad** will not turn the fan off.
- ◆ If both the fan and light are operating and the **TIMER Pad** is touched and held, both the fan and light will be controlled by the timer. The **Display** will alternate between "FAN" and "LIGHT" one time.
- ◆ Canceling the timer will cause the timer to shut off; however, canceling the timer will not cancel the fan. The fan will continue to operate until turned off.

Using the Cooktop Light

You can control the cooktop light by touching the LIGHT Pad.

Basic Instructions

1. Touch the LIGHT Pad once for turning the cooktop light on.
The Display will scroll "ON LIGHT".
2. Touch the LIGHT Pad twice for turning the night light on.
The Display will scroll "NIGHT LIGHT".
3. Touch the LIGHT Pad three times for turning the cooktop light or night light off. The Display will scroll "OFF LIGHT".

To Set Light to be on for a Specific Time:

1. Turn on light by touching the **LIGHT Pad**.
2. Program "ON" time.
 - ◆ Touch the **TIMER Pad** and hold for 3 seconds. **Display** will show "LIGHT".
3. Enter desired time.
4. Touch the **START Pad**.

To Cancel Timer:

- ◆ Touch **CANCEL/OFF Pad** twice.

Care and Cleaning

Microwave Oven Interior

The oven interior should be cleaned after each use with a damp cloth to keep it free from grease and soil buildup. Stubborn soils can be removed with a plastic scrub pad. When cleaning interior surfaces and surfaces of door and oven that come together when the door is closed, use only mild, non-abrasive soaps or detergents applied with a sponge or soft cloth. Odors can be eliminated from the inside of the oven by boiling a solution of one cup of water and several tablespoons of lemon juice in the oven for 5-7 minutes. This also helps loosen any dried soil in the oven. Wipe off excess moisture after use.

Note . . .

- ◆ **Do not** spray or pour liquid cleansers directly onto a surface. Spray or pour cleanser onto a cloth or sponge and then clean.
- ◆ **Do not** use abrasive cleaners, oven cleaners, abrasive cleaning pads or steel wool, as they can scratch or dull oven surfaces.
- ◆ **Do not** remove or insert knife around the stirrer cover to clean, it may damage the cover or affect the cooking performance of your oven.

Oven Bottom

Wash oven bottom with hot sudsy water, rinse and dry. Do not use excessive amounts of water when cleaning the oven, especially around the turntable. Do not allow water or cleaning agents to seep into turntable gears located underneath.

Glass Tray/Turntable

Allow to cool before removing and cleaning. Wash in soapy water or dishwasher.

Roller Guide

Clean frequently to prevent excessive noise. Wash in soapy water or dishwasher.

Oven Exterior

Wipe the outside of your oven with a soapy cloth, rinse and dry. Do not use abrasive cleaners. They may scratch the surface.

Light Compartment

Clean off the grease and dust on the light compartment cover on the bottom side of the microwave oven often with warm water and detergent.

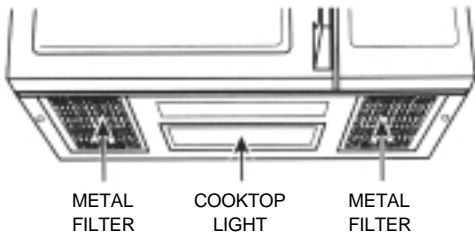
Control Panel

Wipe with a damp cloth. Dry. Do not spray cleaners directly on panel. Spray cleaners on cloth and then wipe.

Care and Cleaning

The Exhaust Feature

The exhaust hood feature on your microwave oven is equipped with two metal filters which collect grease. When the fan is operating, air is drawn up through the filters and is then discharged through the venting to the outside or through the charcoal filters if not vented to the outside.

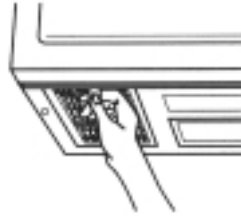


Reusable Grease Filters

The reusable grease filters should be cleaned at least once a month. Never operate the microwave without the filters in place. In situations where flaming might occur on surfaces below the hood, filters will stop the entry of flames into the unit.

To Remove Grease Filter

To remove grease filter, grasp the "finger hold" on the filter and slide to the rear. Then pull filter downward and to the front. The filter will drop out.



To clean Grease Filter

To clean grease filters, soak and then agitate filter in solution of hot water and detergent. Do not use ammonia or ammonia products because they will darken the metal. Light brushing can be used to remove embedded dirt. Rinse, shake and remove moisture before replacing.

To Replace Grease Filter

To replace grease filter, slide the filter in the frame slot on the back of the opening. Pull filter upward and to the front to lock into place.

Light Bulb Replacement

Cooktop Light

To replace the combination cooktop light/night light:

1. Disconnect power at main fuse or circuit breaker or pull plug.
2. Remove screw on left side of light compartment cover and lower cover until it stops. (See Figures 1 and 2.)
3. Gently unscrew the bulb(s). Be sure bulb(s) to be replaced are cool before removing.
4. Replace with 30-watt incandescent bulb(s) available from your authorized dealer. High intensity 30-watt bulb(s) which are available in supermarkets and hardware stores, may also be used for replacements.
5. Raise light compartment cover and replace screw.
6. Connect electrical power to microwave oven.

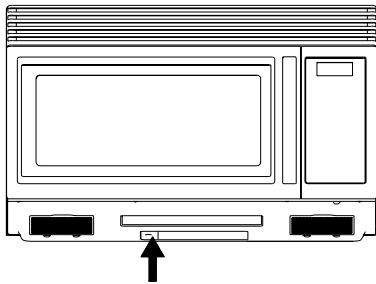


FIGURE 1

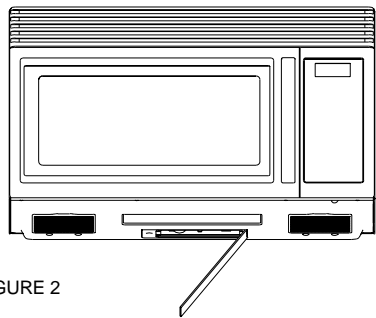


FIGURE 2

Oven Light

To replace oven light:

1. Disconnect power at main fuse or circuit breaker or pull plug.
2. Remove the top grill by taking out the 2 screws that hold it in place. (See Figures 3.)
3. Remove charcoal filter.
4. Pull out the Lamp cover. (See Figure 4.)
5. Replace the light bulb with a 30-watt bulb.
6. Replace light housing to original position
7. Replace charcoal filter.
8. Replace top grill and secure with screws.
9. Connect electrical power.

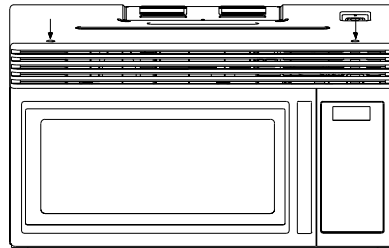


FIGURE 3

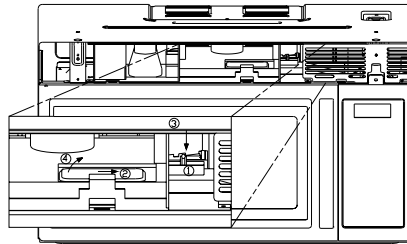


FIGURE 4

Common Questions and Answers

Q & A

Q. Can I open the door when the oven is operating?

A. The door can be opened anytime during the cooking operation. The oven will automatically stop cooking and the time setting will maintain until the door is closed and the **START Pad** is touched.

Q. What causes the oven interior light and display to dim when using a Variable Power Level?

A. This is normal and indicates the oven is operating and cycling properly.

Q. Why does steam and/or vapor escape around the door and moisture droplets form on the inside of the oven door?

A. This is normal occurrence - as food cooks, steam is given off.

Q. What do the various beeps mean?

A. Short beep = any pad is touched.

Three short beeps = incorrect entry.

One long beep = oven plugged in.

Three long beeps = end of cooking (microwave will turn off).

Series of three short beeps = check food to see if turning or rearranging is needed.

Q. Can the oven be used with the glass tray or roller guide removed?

A. No. Both the glass tray and roller guide must always be used in the oven when cooking.

All these things are normal with your microwave oven.

- ◆ Steam or vapor escaping from around the door.
- ◆ Light reflection around the door or outer case.
- ◆ Dimming oven light and change in blower sound may occur while operating at power levels other than high.
- ◆ Dull thumping sound while oven is operating.

Charcoal Filter Kit

There is a recirculating charcoal filter kit included for models that are not vented to the outside. See installation guide for details.

Before You Call

Check the following to be sure a service call is necessary:

If noting on the oven operates:

- ◆ check for a blown circuit fuse or a tripped main circuit breaker.
- ◆ check if oven is properly connected to electric circuit in house.
- ◆ check that controls are set properly.
- ◆ check that the cooking time is set.

If the oven interior light does not work:

- ◆ The light bulb may be loose or defective. See page 20 or call a qualified servicer.

If oven will not cook:

- ◆ check that control panel was programmed correctly.
- ◆ check that door is firmly closed.
- ◆ check that **START Pad** was touched.
- ◆ **Auto Start** may have been set.
- ◆ the **Control Lockout** may have been set
- ◆ check the area between the door and seal for obstructions.

If oven takes longer than normal to cook or cooks too rapidly:

- ◆ be sure the **Power Level** is programmed properly.
- ◆ check instructions on food density, etc.
- ◆ verify that voltage to the microwave oven is not low.

If the time-of-day clock does not always keep correct time:

- ◆ check that the power cord is fully inserted into the outlet receptacle.
- ◆ check that the oven is properly grounded.
- ◆ try plugging the oven into an outlet on a separate electrical circuit.

If oven floor or glass tray are hot:

- ◆ this is normal. The floor is absorbing heat from the food.

If the interior of oven collects moisture:

- ◆ this is normal. Food gives off moisture when cooking and the steam collects on the door and the oven surface. Wipe off excess moisture from oven after each use.

If food cooks unevenly:

- ◆ refer to your recipe for proper cooking procedures.
- ◆ be sure food is evenly shaped.
- ◆ be sure food is completely defrosted before cooking.
- ◆ check placement of aluminum strips used to prevent overcooking.

If food is undercooked:

- ◆ check recipe to be sure all directions (amount, time, and power levels) were correctly followed.
- ◆ check household voltage.
- ◆ try plugging the oven into an outlet on a separate electrical circuit.
- ◆ be sure food was completely defrosted before cooking.

If food is overcooked:

- ◆ check recipe to be sure all directions (amount, time, and power levels) were correctly followed.
- ◆ the initial temperature of food may have been higher than normal.

If arcing (sparks) occur:

- ◆ be sure microwave-safe dishes were used.
- ◆ be sure wire twist ties were not used.
- ◆ be sure oven was not operated when empty.

If the display shows a time counting down but the oven is not cooking:

- ◆ check that door is firmly closed.



Magic Chef®

Microwave Oven Warranty

MC Appliance Corp. warrants each new Microwave Oven to be free from defects in material and workmanship and agrees to remedy any such defect or to furnish a new part(s) (at the company's option) for any part(s) of the unit that has failed during the warranty period. Parts and labor expenses are covered on this unit for a period of one year after the date of purchase. In addition MC Appliance Corp. warrants the Magnetron (parts only) to be free from defects in material and workmanship for a period of 8 years. The consumer is responsible for all labor and transportation expenses related to the diagnosis and replacement of the Magnetron after the initial one- year warranty expires. If in the event the unit requires replacement or refund under the terms of this warranty the consumer is responsible for all transportation expenses to return the unit to our factory prior to receiving a replacement unit or refund. **A copy of the dated sales receipt / invoice is required to receive warranty service.**

This warranty covers appliances in use within the continental United States, Puerto Rico, Hawaii and Canada. The warranty does not cover the following:

- Damages due to shipping damage or improper installation.
- Damages due to misuse or abuse.
- Content losses due to failure of the unit.
- Repairs performed by unauthorized service agents.
- Service calls that do not involve defects in material and workmanship such as instruction on proper use of the product or improper installation.
- Replacement or resetting of house fuses or circuit breakers.
- Failure of this product if used for other than its intended purpose.

This warranty is in lieu of all warranties expressed or implied and no representative or person is authorized to assume for us any other liability in connection with the sale of this product. Under no circumstances is the consumer permitted to return this unit to the factory without prior written consent from MC Appliance corp.

Model	Parts	Labor	Magnetron (Part Only)	Type of Service
MCO153UWF	One-Year	One-Year	Eight Years	In- Home
MCO153UBF				
MCO153SF				
MCO153UQF				

For Service or Assistance please call

888 775-0202

Or visit us on the web at www.magicchef-ewave.com



Four à micro-ondes

Manuel d'utilisation et d'entretien

MCO153UWF / MCO153UBF / MCO153SF / MCO153UQF

Table des matières

- Introduction.....1
- Précautions pour éviter toutes exposition Excessive à une énergie micro-ondes1
- Consignes de sécurité importantes.....2-3
- Recommandations pour l'installation4
- Console de commande.....5-6
- Les fonctions du four en un coup d'oeil...7
- Bases de l'utilisation.....8-12
- Fonctions spéciales..... 12-18
- Entretien et nettoyage.....19-21
- Questions et réponses.....22
- Avant d'appeler..... 23
- Garantie..... 24

CONSIGNES DE SECURITE IMPORTANTES

Ne mettez jamais le micro-ondes en marche s'il est vide ou sans le repose-plat en vert.

Introduction

Félicitation pour votre achat d'un four à micro-ondes au-dessus des autres. Pour de meilleurs résultats, nous vous recommandons de lire attentivement ce guide. Vous trouverez des instructions sur l'utilisation correcte et l'entretien de votre micro-ondes.

PRECAUTIONS POUR EVITER TOUTE EXPOSITION POTENTIELLE EXCESSIVE A L'ENERGIE MICRO-ONDES

D. Le four ne devrait pas être réglé ou réparé par quiconque à l'exception des personnels d'entretien qualifiés.

A. Ne pas essayer d'utiliser ce four avec la porte ouverte car une utilisation avec la porte ouverte risque de provoquer une exposition dangereuse à l'énergie des micro-ondes. Il est important de ne pas neutraliser ni modifier les joints de sécurité.

B. Ne pas placer d'objet entre la face avant du four et la porte ou laisser un résidu de saleté ou de détergent s'accumuler sur les surfaces des joints.

C. Ne pas utiliser le four si celui-ci est détérioré. Il est particulièrement important que la porte du four ferme correctement et qu'il n'y ait aucune détérioration de : (1) la porte (courbée), (2) des charnières et des loquets (cassés et lâches), (3) des joints de la porte et des surfaces des joints.

CONSIGNES DE SECURITE IMPORTANTES

Pendant l'utilisation d'appareils électriques, des précautions de sécurité élémentaires devraient être prises, notamment les précautions ci-dessous :

▲ MISE EN GARDE - Afin de diminuer le risque de brûlure, de choc électrique, d'incendie, de blessure physique ou d'exposition à une énergie micro-onde excessive :

1. Lisez toutes les instructions avant d'utiliser l'appareil.
2. Lisez et suivez les instructions particulières de la page 1 "PRECAUTIONS POUR EVITER TOUTE EXPOSITION POTENTIELLE A UNE ENERGIE MICRO-ONDE EXCESSIVE".
3. Cet appareil doit être raccordé à la terre. Connectez-le uniquement à des prises secteur correctement raccordées à la terre. Voir "INSTRUCTIONS POUR LE RACCORDEMENT A LA TERRE", page 4.
4. Installez ou localisez l'appareil en fonction des installations relatives à l'installation fournies. Ne pas monter cet appareil au-dessus d'un évier.
5. **Ce four au-dessus des autres a été conçu pour une utilisation dans des gammes ne dépassant pas 30 pouces.** Il peut être installé au-dessus des équipements de cuisson à gaz et électrique.
6. **Pour un meilleur fonctionnement, branchez cet appareil dans une prise secteur dédiée pour empêcher la lumière de vaciller, les fusibles ou les coupe-circuits de se déclencher.**
7. Certains produits comme les oeufs entiers et les récipients fermés (par exemples les bocaux fermés) peuvent exploser et ne devraient pas être chauffés dans ce four. Dans certains cas rares, des oeufs pochés ont explosé. Couvrez les oeufs pochés et laissez-les reposer pendant une minute avant de les découper.
8. Les aliments dont la peau extérieure n'est pas coupée comme les pommes de terre, les saucisses, les tomates, les foies de poulet et autres abats ainsi que les blancs d'oeufs (voir la mise en gare précédente) devraient être percés pour permettre à la vapeur de s'échapper pendant la cuisson. Les poches de cuisson "à bouillir" et les sacs en plastique fermés hermétiquement devraient être incisés, percés ou aérés.
9. Ne pas chauffer, conserver ou utiliser de matières inflammables dans le four ou à proximité. Les fumées risquent de provoquer un incendie ou une explosion.
10. Utilisez cet appareil uniquement pour l'utilisation pour laquelle il a été conçu tel que décrit dans ce manuel. N'utilisez pas d'agent chimique corrosif ou de vapeurs dans cet appareil. Ce type de four a été conçu particulièrement pour chauffer, cuire ou décongeler des aliments. Il n'a pas été conçu pour une utilisation industrielle, en laboratoire ou commerciale. Il a été conçu pour une utilisation domestique uniquement.
11. Comme pour tout appareil, une surveillance étroite est nécessaire lorsque des enfants s'en servent.
12. N'utilisez pas cet appareil s'il présente un cordon d'alimentation ou une fiche détériorés, s'il ne fonctionne pas correctement ou s'il a été détérioré ou s'il est tombé.
13. Cet appareil devrait être réparé uniquement par des personnels d'entretien qualifiés. Contactez le point d'entretien agréé le plus proche pour tout examen, réparation ou réglage.
14. Ne couvrez ou n'obstruez aucune des ouvertures de cet appareil.
15. Ne pas utiliser ni conserver cet appareil en extérieur. Ne pas utiliser ce produit à proximité d'eau – par exemple près d'un évier de cuisine, dans un sous-sol humide ou près d'une piscine ou dans des lieux semblables.
16. Ne pas immerger le cordon ou la fiche dans l'eau.
17. Maintenir le cordon à l'écart de toute surface à haute température.
18. Ne pas laisser le cordon pendre au-dessus du bord de la table ou du plan de travail.
19. En nettoyant les surfaces de la porte et du four qui se touchent en fermant la porte, utilisez uniquement des savons de force moyennes non abrasifs appliqués avec une éponge ou un chiffon doux.
20. Pour réduire le risque d'incendie dans la cavité du four :
 - a. Ne pas trop cuire les aliments. Surveiller attentivement l'appareil lorsque du papier, du plastique ou d'autres matières combustibles sont placés à l'intérieur du four pour faciliter la cuisson. Évitez d'utiliser des produits à base de papier recyclé. N'utilisez pas de journal ou tout autre papier imprimé à l'intérieur du four. Ces produits contiennent parfois des impuretés susceptibles de prendre feu.
 - b. Retirez les pinces de fermeture des sacs en papier ou en plastique avant de les placer dans le four.
 - c. Si les matériaux à l'intérieur du four prennent feu, maintenez la porte du four fermée, éteignez le four puis débranchez le cordon d'alimentation ou coupez l'électricité au niveau du panneau des fusibles ou des coupe-circuits.
 - d. Ne pas utiliser le four comme espace de stockage. Ne pas laisser de produits en papier, d'ustensiles de cuisine ou d'aliments à l'intérieur du four lorsqu'il n'est pas utilisé.
 - e. Ne cuisez pas de pop corn sauf dans un micro-onde agréé pour cette utilisation ou en utilisant un ensemble commercial recommandé spécialement pour les micro-ondes.
 - f. Ne pas trop cuire les pommes de terre. Ils risquent de se déshydrater et de prendre feu.
 - g. Ne pas utiliser ce four pour sécher des vêtements, des tissus, du journal ou tout autre article non alimentaire similaire.
21. **Ne pas utiliser le four lorsqu'il est vide ou avec un récipient vide pour éviter de détériorer le four et pour prévenir tout risque d'incendie.**
22. Ne pas s'appuyer sur la porte du four. Cette porte a été conçue pour être fermée hermétiquement et pour servir de joint étanche pour un bon fonctionnement. S'appuyer sur la porte risque de forcer ou de casser les charnières.

...plus

CONSIGNES DE SECURITE IMPORTANTES SUITE

23. Pour éviter toute exposition à une tension élevée dangereuse, NE PAS ENLEVER LA PROTECTION CONTRE LES ECLABOUSURES à l'intérieur de la cavité du four.
24. Les liquides comme l'eau, le café ou le thé peuvent être surchauffés au-delà du point d'ébullition sans sembler bouillir en raison de la tension de surface du liquide. Un bouillonnement visible ou la formation de bulles ne sont pas toujours présents lorsque le récipient est retiré du four à micro-ondes. CELA RISQUE D'ENTRAINER UNE EBULLITION SOUDAINE DU LIQUIDE LORSQU'UNE CUILLER OU TOUT AUTRE USTENSILE EST PLONGE DANS LE LIQUIDE.
Pour réduire le risque de blessure :
 - ① Ne pas surchauffer le liquide.
 - ② Mélangez le liquide avant la cuisson et au milieu de la cuisson.
 - ③ N'utilisez pas de récipients à bord droit et à goulot étroit.
 - ④ Après la cuisson laissez le récipient reposer dans le four à micro-ondes pendant un court instant avant de le retirer.
 - ⑤ Soyez extrêmement prudent en insérant une cuiller ou tout autre ustensile dans le récipient.
25. **Lisez et suivez les instructions de préparation particulières pour le four à micro-ondes sur les emballages alimentaires ou les récipients (en particulier pour les aliments pour bébés). Surtout, il s'agit d'un appareil de cuisine conçu pour préparer des aliments.**
26. Utilisez uniquement des ustensiles et des accessoires de cuisine conçus pour une utilisation au micro-ondes et décrits spécifiquement dans ce manuel.
27. Les fabricants de fours à micro-ondes ne recommandent pas de cuire des aliments très gras ou de faire de la friture dans un four à micro-ondes. L'huile chaude risque de détériorer les pièces du four et les ustensiles voir de provoquer des brûlures cutanées.
28. Film plastique : Utilisez uniquement les types conçus pour une utilisation au four à micro-ondes et évitez de former un joint hermétique. Repliez un petit coin ou faites une petite entaille pour permettre à la vapeur de s'échapper.
29. Restez près de l'appareil pendant son utilisation et vérifiez la progression de la cuisson fréquemment. Laisser l'appareil sans surveillance peut provoquer la sur-cuisson des aliments voire un incendie dans votre four.
30. **Les aliments cuits dans le liquide** (comme les pâtes) sont susceptibles de bouillir plus rapidement que les aliments contenant moins d'humidité. Si cela se produisait, consultez la section Entretien et nettoyage pour des instructions sur le nettoyage de l'intérieur du four.
31. N'utilisez pas de thermomètre dans les aliments que vous cuisez au micro-ondes sauf si ce thermomètre a été conçu pour être utilisé au micro-ondes ou si son utilisation est recommandée dans un four à micro-ondes.
32. Les ustensiles de cuisine en plastique conçus pour la cuisson au micro-ondes sont très utiles, mais devraient être utilisés avec prudence. Même les plastiques adaptés au micro-ondes peuvent ne pas être aussi tolérants à la sur-cuisson que le verre ou la céramique et risque de se ramollir ou de se gondoler s'ils sont soumis à une sur-cuisson pendant une courte période. En cas d'exposition plus longue à une sur-cuisson, les aliments et les ustensiles risquent de prendre feu.
Pour ces raisons : 1) Utilisez uniquement des plastiques adaptés au micro-ondes et utilisez en stricte conformité par rapport aux recommandations du fabricant de ces ustensiles.
2) Ne soumettez pas d'ustensile vide aux micro-ondes.
3) Ne laissez pas les enfants utiliser les ustensiles en plastique sans surveillance totale.
33. **Ne conservez rien directement au-dessus de la surface du micro-ondes lorsque celui est en fonctionnement.**
34. Les plateaux repas peuvent être cuisinés dans des plateaux couverts de film d'aluminium de moins de 3/4" de profondeur ; retirez le couvercle du film supérieur puis retournez le plateau dans la boîte. Lorsque vous utilisez du métal dans un four à micro-ondes, maintenez ce métal à au moins 1 pouce des côtés du four.
35. Ne décongelez pas de boissons glacées dans des bouteilles à goulot étroit.
36. Les ustensiles de cuisine risquent de se réchauffer en raison de la chaleur transférée en provenance des aliments cuits. Des maniques risquent d'être nécessaires pour manipuler les ustensiles.
37. N'essayez pas de faire fondre de la cire de paraffine dans le four. La cire de paraffine ne fondra pas au four à micro-ondes parce que les micro-ondes la traversent.
38. N'utilisez jamais d'ustensiles tranchants dans le four ou à proximité du four.
39. Les aliments à haute température et la vapeur risquent de provoquer des brûlures. Soyez prudent en ouvrant les récipients contenant des aliments très chauds, notamment les sacs à pop corn, les poches de cuisson et les boîtes. Pour empêcher toute blessure potentielle, orientez la vapeur à l'écart des mains et du visage.
40. Nettoyez souvent la hotte d'aération. Ne laissez pas la graisse s'accumuler sur la hotte ou sur le filtre.
41. Soyez prudent en nettoyant le filtre de la hotte de ventilation.
Les agents nettoyants abrasifs, comme les nettoyants de four à base de lessive, risquent de détériorer le filtre.
42. Lorsque des aliments en feu sont sous la hotte, éteignez le ventilateur. Le ventilateur risquerait de diffuser la flamme.

CONSERVEZ CES INSTRUCTIONS

Recommandations pour l'installation

Retirez toutes les matières d'emballage à l'extérieur et à l'intérieur du four avant de l'utiliser. Le four a besoin d'une libre circulation de l'air pour fonctionner correctement. NE PAS bloquer la circulation de l'air dans les ventilations situées à côté de la grille d'aération supérieure et au-dessous du four.

Instructions de raccordement à la terre

Cet appareil doit être raccordé à la terre. En cas de court-circuit électrique, le raccordement à la terre réduit le risque de choc électrique en fournissant un câble d'échappement pour le courant électrique. Cet appareil est pourvu d'un cordon d'alimentation ayant un câble de raccordement à la terre avec une prise de terre.

▲ MISE EN GARDE - Une utilisation incorrecte de la prise de raccordement à la terre risque d'entraîner un risque de choc électrique.

La prise doit être branchée à une prise secteur de 120v, 15amp. Correctement installée et raccordée à la terre. Consultez un électricien qualifié ou un technicien d'entretien qualifié si vous ne comprenez pas bien les instructions de raccordement à la terre ou s'il existe un doute concernant le raccordement à la terre correct de l'appareil.

En cas de présence d'une prise murale standard à deux lames, vous êtes personnellement responsable de

l'obligation de la faire remplacer par une prise murale à trois lames correctement raccordée à la terre.

Ne coupez ou ne retirez en aucune circonstance la troisième lame (de terre) du cordon d'alimentation. N'utilisez pas d'adaptateur de prise avec cet appareil. Voir pages 1 et 2 du Manuel d'installation pour les caractéristiques techniques des rallonges acceptables.

Remarque sur les interférences

Les fours à micro-ondes produisent des fréquences radio pendant leur utilisation et s'ils ne sont pas correctement installés ils peuvent provoquer des interférences avec la réception de la radio et de la télévision.

Vous pouvez déterminer si cet appareil provoque des interférences en l'allumant et en l'éteignant pendant que l'interférence se produit. Si une interférence se produit, elle peut être corrigée en prenant une ou plusieurs des mesures ci-dessous :

- ◆ nettoyer la porte et les surfaces de joint du four ;
- ◆ ré-orienter l'antenne de réception de la télévision ou de la radio ;
- ◆ le four par rapport au récepteur de télévision ou de radio et/ou
- ◆ Brancher le four sur une autre prise secteur afin qu'il soit sur un circuit différent de celui de la télévision ou de la radio.

En cas de persistance de l'interférence, vous pouvez souhaiter faire appel à un technicien expérimenté dans la radio/télévision pour de plus amples renseignements.

Fonction de protection du ventilateur automatique

Les appareils de cuisson installés au-dessous du four à micro-ondes risquent, dans certaines conditions d'utilisation intensive, de produire des températures suffisamment élevées pour surchauffer certaines des pièces internes du four à micro-ondes.

Pour prévenir toute surchauffe, le ventilateur d'évacuation a été conçu pour s'activer automatiquement en vitesse lente si

une température excessive se produit. Dans ce cas, le ventilateur ne peut pas être désactivé manuellement mais il s'éteindra automatiquement lorsque les pièces internes auront refroidi. Le ventilateur peut rester en marche jusqu'à une heure après que les commandes du four à micro-ondes ont été éteintes.

Astuces pour la cuisson au micro-ondes

- ◆ Assurez-vous que tous les ustensiles utilisés dans votre four à micro-ondes sont adaptés à cette utilisation. La plupart des plats en verre, des doses de mesure, des tasses à crème, de la poterie ou de la porcelaine, qui n'ont pas de poignée métallique ou de revêtement brillant métallique, peuvent être utilisés.
- ◆ Si vous n'êtes pas certain qu'un plat est adapté au micro-ondes, utilisez ce test : Placez le plat que vous testez dans le four avec une tasse de mesure en verre remplie d'eau.

Placez la tasse de mesure dans le plat ou à côté du plat. Cuisez au micro-ondes pendant 1 minute à puissance élevée. Si le plat chauffe, il ne devrait pas être utilisé pour la cuisson au micro-ondes. Si le plat reste froid et que seule l'eau à l'intérieur de la tasse chauffe, alors ce plat peut être utilisé au micro-ondes.

- ◆ Les serviettes en papier, le papier gras et les emballages en plastique peuvent être utilisés pour couvrir des plats afin de retenir l'humidité et d'éviter les projections. Veillez à ventiler le film plastique pour permettre à la vapeur de s'échapper.

Console de commande tactile

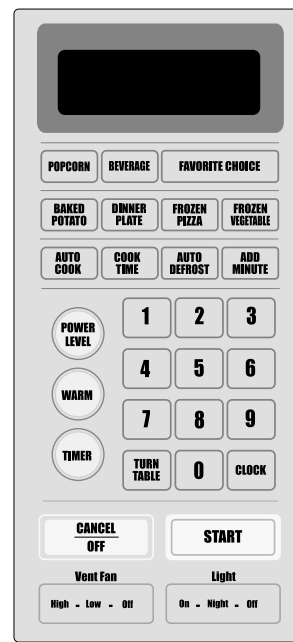
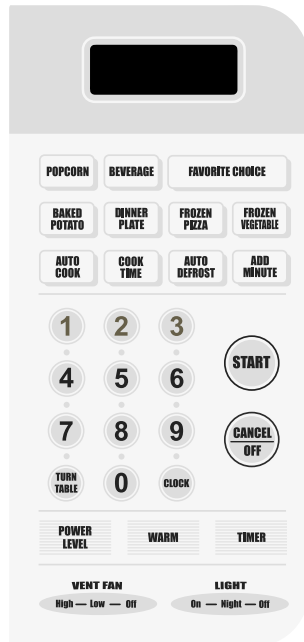
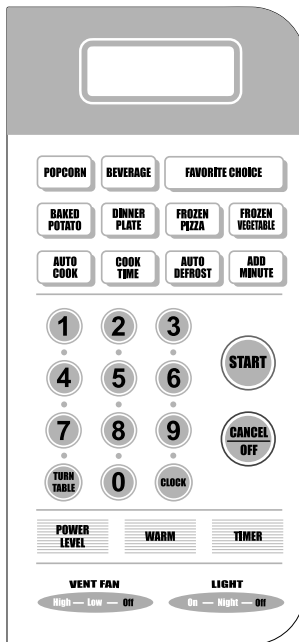
La console de commande tactile vous permet de régler les commandes du four par simple pression du doigt. Elle a été conçue pour être facile à utiliser et à comprendre.

1. **AFFICHAGE (DISPLAY)** – Affiche l'heure, la durée ou la température pendant les fonctions de cuisson, le niveau d'alimentation utilisé, le mode de cuisson et les instructions.
2. **POP CORN (POPCORN)** – Appuyez sur cette touche pour cuire du pop-corn préparé pour micro-ondes pesant 1,75 ou 3,50 onces. Le four démarre automatiquement. (Page 12)
3. **BOISSON (BEVERAGE)** – Appuyez sur cette touche pour réchauffer une boisson. Le four démarre automatiquement. (Page 13)
4. **PREFERENCE (FAVORITE CHOICE)** – Appuyez sur cette touche pour rappeler trois instructions de cuisson placées en mémoire et pour programmer le niveau sonore des signaux, la vitesse de défilement et désactiver l'affichage de l'heure. (Page 13)
5. **POMME DE TERRE AU FOUR (BAKED POTATO)** – Appuyez sur cette touche pour cuisiner 1-4 pommes de terre. Le four démarre automatiquement. (Page 13)
6. **ASSIETTE DE DINER (DINNER PLATE)** – Appuyez sur cette touche pour réchauffer une assiette pleine de restes froids. (Page 13)
7. **PIZZA SURGELEE (FROZEN PIZZA)** – Appuyez sur cette touche pour réchauffer une pizza surgelée. Le four démarre automatiquement. (Page 13)
8. **LEGUMES SURGELES (FROZEN VEGETABLES)** – Appuyez sur cette touche pour cuire des légumes surgelés. Le four démarre automatiquement. (Page 14)
9. **CUISSON AUTO (AUTO COOK)** – Calcule automatiquement la puissance de micro-ondes et le temps de cuisson. Consultez le Guide de cuisson auto. (Page 14)
10. **TEMPS DE CUISSON (COOK TIME)** – Faites cuire pour une durée limitée choisie.
 - ◆ Le niveau de puissance 10 (Élevé) est automatique mais des niveaux de puissance plus faibles peuvent être programmés. (Page 8)
11. **DECONGELATION AUTO (AUTO DEFROST)** – Appuyez sur cette touche puis saisissez le poids des aliments, puis appuyez sur START. Le four règle automatiquement les niveaux de puissance et la durée de décongélation. (Page 10)
12. **AJOUT MINUTE (ADD MINUTE)** – Appuyez sur cette touche pour 1 minute de temps de cuisson, pour ajouter une minute de temps de cuisson pendant que le minuteur décompte les minutes qui s'écoulent pendant 1 minute. (Page 9)
13. **NIVEAU DE PUISSANCE (POWER LEVEL)** – Appuyez sur cette touche si vous souhaitez passer du Niveau de puissance 10 (Élevé) automatique au mode manuel pour la cuisson (Page 8-9)
14. **TOUCHES NUMERIQUES (NUMBER PADS)** – Appuyez sur ces touches pour saisir la durée de cuisson, la durée de décongélation, l'heure, le niveau de puissance ou les poids des aliments pour la Décongélation auto.
15. **CHAUD (WARM)** – Appuyez sur cette touche pour maintenir les aliments au chaud en toute sécurité pendant 30 minutes maximum. (Page 13)
16. **MINUTERIE (TIMER)** – Cette fonction n'utilise aucune énergie micro-onde. Elle fonctionne comme un minuteur de cuisine, comme période d'attente après la décongélation ou comme minuteur d'attente avant la cuisson. (Page 9)
17. **PLATEAU TOURNANT (TURNABLE)** – Appuyez sur cette touche pour faire pivoter le plateau ou pour faire cesser sa rotation. (Page 16)
18. **ANNULER/OFF (CANCEL/OFF)** – Si vous appuyez une fois, l'appareil est en pause. Si vous appuyez à nouveau, le four s'éteint et efface tous les réglages (sauf l'heure).
19. **HORLOGE (CLOCK)** – Appuyez sur cette touche pour saisir l'heure ou vérifier l'heure pendant la cuisson. (Page 8)
20. **DEPART (START)** – Lorsque toutes les sélections ont été réalisées, appuyez sur cette touche pour démarrer le four ou la minuterie.
21. **VENTILATEUR D'AERATION (VENTING FAN)** – Appuyez sur cette touche si vous souhaitez connaître les fonctions des touches de la console de commande. (Page 17)
22. **ECLAIRAGE (LIGHT)** – appuyez sur cette touche pour allumer ou éteindre la lumière de la surface et la lumière de nuit. (Page 17)

< MCO153JWF/MCO153UQF >

< MCO153SF >

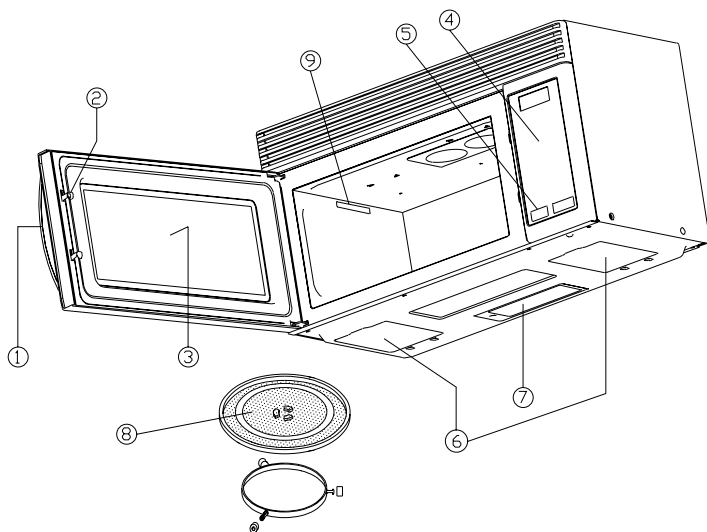
< MCO153UBF >



- ◆ Chaque fois que vous appuyez sur une touche, l'appareil émet un BIP.
- ◆ Lorsque vous appuyez sur la touche **CANCEL/OFF** pendant le fonctionnement du four, le four s'arrête. Toutefois, tous les renseignements programmés sont conservés. Pour effacer toutes les données, appuyez à nouveau sur la touche **CANCEL/OFF**.

REMARQUE : L'apparence et les fonctions sont susceptibles de varier légèrement en fonction du modèle.

Les fonctions du four en un coup d'oeil



- 1. POIGNEE DE LA PORTE** – Tirez pour ouvrir la porte. La porte doit être bien fermée avant la mise en marche du four.
- 2. LOQUETS DE LA PORTE**
- 3. VITRE avec BOUCLIER METALLIQUE**
-L'écran permet de voir la cuisson tout en confinant les micro-ondes à l'intérieur du four.
- 4. CONSOLE DE COMMANDE TACTILE et AFFICHAGE NUMERIQUE** – Pour des renseignements détaillés sur chaque fonction voir la section Console de commande tactile, page 5.
- 5. COMMADES DE LA HOTTE**
Ventilateur d'aération – Appuyez sur Élevé, Faible ou Éteint
Éclairage – Appuyez sur Allumé, Nuit ou Éteint
- 6. FILTRES A GRAISSE**
- 7. ECLAIRAGE DE LA CUISSON**
- 8. PLATEAU PIVOTANT** – Composé d'un plateau de verre et d'un guide roulant. Le guide roulant est placé au bas du micro-ondes et soutient le plateau de verre. **Les deux pièces doivent être en place lorsque vous utilisez le four à micro-ondes.**
- 9. PLAQUE DE DONNEES** – Située sur la paroi interne du four à micro-ondes.

Utilisation élémentaire

Horloge

Instructions élémentaires

1. Appuyez sur la touche **CLOCK**. "CLOCK ENTER TIME" s'affiche.
2. Réglez l'heure en appuyant sur les chiffres qui conviennent. L'heure sélectionnée s'affiche et "PRESS CLOCK AGAIN" s'affiche.
3. Appuyez à nouveau sur la touche **CLOCK**. Les deux points clignotent.

- ◆ Après avoir branché le four ou après une panne de courant, l'**Affichage** fait défiler "TOUCH CLOCK PAD TO ENTER TIME OF DAY". Appuyez sur la touche **CANCEL/OFF** puis réglez l'heure en suivant les instructions ci-dessus.
- ◆ L'horloge est une horloge qui affiche 12 heures.
- ◆ Lorsqu'elle est réglée, l'heure s'affiche toujours quand aucune fonction de cuisson n'est utilisée.
- ◆ L'heure revient à l'heure du moment lorsque le four s'arrête.

Durée de cuisson/Niveau de puissance

Instructions élémentaires

1. Appuyez sur la touche **COOKING TIME**. "ENTER COOKING TIME" s'affiche.
2. Saisissez la durée de cuisson à l'aide des touches numériques.
Par exemple, pour 5 minutes appuyez sur les chiffres 5,0,0. La durée sélectionnée et "PRESS START" s'affichent.
3. Appuyez à nouveau sur la touche **START**. "COOK TIME" et la durée sélectionnée s'affichent.
 - ◆ La durée de cuisson s'affiche dans la fenêtre d'affichage.
 - ◆ Le four commence la cuisson et le décompte de la durée commence.
 - ◆ Le four s'arrête automatiquement lorsque le temps est écoulé et trois bips sont émis.
 - ◆ A la fin de la durée de cuisson, "END COOK" s'affiche.

- ◆ Commencez par le temps recommandé le plus court puis ajoutez du temps si nécessaire.
- ◆ Vérifiez les aliments pendant la cuisson.
- ◆ La porte du four peut être ouverte à tout moment pendant son utilisation. Le four s'arrête automatiquement et maintient le réglage de la durée jusqu'à ce que la porte soit fermée et que vous appuyez à nouveau sur la touche **START**.
- ◆ Après avoir appuyé sur la touche **START**, si le four ne démarre pas, vérifiez la zone entre la porte et le joint de la porte pour toute trace d'obstruction. Le four ne démarre pas avant que la porte soit complètement fermée.

Remarque . . .

- ◆ *La puissance totale est automatique. Si vous souhaitez utiliser un niveau de puissance différent, appuyez sur **POWER** avant d'appuyer sur la touche **START**. "POWER LEVEL IS HI [10]. TOUCH 1-9 FOR NEW POWER LEVEL. PRESS START" s'affiche. Saisissez le niveau de puissance de votre choix en appuyant sur la touche numérique correspondantes. Le niveau de puissance sélectionné et "PRESS START" s'affichent. (Voir le **Guide de cuisson à la page 9**).*

Utilisation élémentaire

Guide de cuisson avec les niveaux de puissance

Les niveaux de puissance de votre four à micro-ondes peuvent être comparés aux unités de surface d'une gazinière.

Une puissance élevée (niveau de puissance 10) ou une puissance totale est la plus rapide pour cuire et donne 100% de la puissance.

Chaque niveau de puissance vous donne de l'énergie micro-ondes pour un certain pourcentage de temps, par exemple, le niveau de puissance 7 correspond à de l'énergie micro-ondes pendant 70% du temps.

La majorité de vos cuissons sera effectuée sur Élevé (Niveau de puissance 10). Un réglage inférieur cuira plus uniformément et avec moins d'attention apportée au mélange et à la rotation des aliments. Certains aliments peuvent avoir un meilleur arôme, une meilleure texture ou une meilleure apparence en utilisant l'un des réglages inférieurs. Vous pouvez souhaiter utiliser un niveau de puissance inférieur lorsque vous cuisez des aliments qui ont une tendance à bouillir comme les pommes de terre en escalope. Les temps de cuisson augmentent au fur et à mesure que le niveau de puissance diminue.

Niveau de puissance	Meilleures utilisations
Élevé 10	Poisson, légumes, Liquides bouillants.
Moyen 7	Cuisson douce de la viande et de la volaille, mijotés et réchauffage.
Moyen 5	Cuisson lente et attendrissement pour les ragoûts et les morceaux de viande moins tendres.
Faible 3	Décongélation, plats mijotés, sauces délicates.
Chaud 1	conservation au chaud sans sur-cuisson, ramollissement du beurre.

Ajour minute

La touche **ADD MINUTE** fournit une méthode pratique pour chauffer des aliments en appuyant sur une seule touche ou pour ajouter une minute supplémentaire à votre cycle de cuisson en cours.

Le micro-ondes démarre automatiquement lorsque vous appuyez sur cette touche.

Instructions élémentaires

1. Appuyez sur la touche **ADD MINUTE**. L'**Affichage** indique "PRESS AGAIN TO ADD MIN".

L'**AJOUT MINUTE** ne peut pas être utilisé en même temps que les **FONCTIONS DE CUISSON A UNE SEULE TOUCHE, CUISSON AVEC CAPTEUR, DECONGELATION AUTO, MINUTERIE, PREFERENCE ou CHAUD**. A chaque appui sur la touche, le four ajoute 1 minute à la durée jusqu'à 99 minutes.

Minuterie

Instructions élémentaires

1. Appuyez sur la touche **TIMER**. L'**Affichage** indique "ENTER TIME".
2. Saisissez la durée souhaitée. L'**Affichage** indique la durée sélectionnée et "PRESS START".
3. Appuyez sur la touche **START**. L'**Affichage** indique "TIMER" et la durée sélectionnée.

- ◆ La minuterie peut être programmée jusqu'à 99 minutes et 99 secondes.
- ◆ Trois bips indiquent la fin du fonctionnement de la minuterie.
- ◆ Pour arrêter le fonctionnement de la minuterie, appuyez sur la touche CANCEL/OFF deux fois. L'**Affichage** retourne à l'heure ou au programme de cuisson.
- ◆ La minuterie ne peut pas être réglée pendant la cuisson.
- ◆ La porte doit être fermée pour que la minuterie fonctionne.

Décongélation Auto

Utilisez la régle de décongélation pour décongeler des viandes, de la volaille et du poisson de 0,5 livre (0,23 kg) à 6,5 livres (2,93 kg).

Instructions élémentaires

- ◆ Appuyez une fois sur la touche **AUTO DEFROST** pour la viande. "MEAT DEFROST ENTER FOODWEIGHT IN LBS" s'affiche.
 - ◆ Appuyez deux fois sur la touche **AUTO DEFROST** pour la volaille. "POULTRY DEFROST ENTER FOOD WEIGHT IN LBS" s'affiche.
 - ◆ Appuyez trois fois sur la touche **AUTO DEFROST** pour le poisson. "FISH DEFROST ENTER FOOD WEIGHT IN LBS" s'affiche.
- Appuyez sur les touches numériques pour saisir le poids. *La durée de décongélation et les niveaux de puissance sont calculés automatiquement.
- Appuyez sur la touche **START**. "DEFROST TIME" et la durée apparaissent dans l'**Affichage**.

* Saisissez le poids en livres et en dixièmes de livres. Voir le tableau de conversion ci-dessous.

- ◆ Pendant la décongélation, le four émet une série de bips courts pour indiquer que les aliments ont besoin d'être tournés ou remplacés. "TURN FOOD OVER" s'affiche. Le four continue à fonctionner si les aliments ne sont ni retournés ni remplacés. Trois bips indiquent la fin de la décongélation. "END DEFROST" s'affiche.
- ◆ Pendant la décongélation de viande et de poisson, les aliments doivent être tournés ou déplacés deux fois. Pendant la décongélation d'une volaille, les aliments doivent être tournés ou déplacés une seule fois.

Tableau de conversion

Si le poids est en onces-	alors le poids est converti en dixièmes de livres.
1 à 2-oz. (29,57 ml à 59,14 ml)	0.1
3 à 4-oz. (88,71 ml à 118,28 ml)	0.2
5-oz. (147,85 ml)	0.3
6 à 7-oz. (177,42 ml à 206,99 ml)	0.4
8-oz. (236,56 ml)	0.5
9 à 10-oz. (266,13 ml à 259,70 ml)	0.6
11 à 12-oz. (325,27 ml à 354,84 ml)	0.7
13-oz. (384,41 ml)	0.8
14 à 15-oz. (413,98 ml)	0.9

Décongélation à la durée

Instructions élémentaires

- Appuyez sur la touche **TIME**. "ENTER COOKING TIME" s'affiche.
- Saisissez la durée de décongélation souhaitée.
- Appuyez sur la touche **POWER**. "POWER LEVEL IS HI [10]" s'affiche.
- Appuyez sur la touche **NUMERO "3"**. "PL-30 PRESS START" s'affiche.
- Appuyez sur la touche **START**.

Remarque . . .

- ◆ Trois bips courts indiquent une erreur de saisie.
- ◆ Voir page 11 pour des astuces de décongélation supplémentaires pour la *Décongélation auto* et pour la *Décongélation à la durée*.

Fonctionnement élémentaire

Guide pour la décongélation à la durée (Niveau de puissance 3)

Articles et poids Durée	Durée de décongélation	Repos	Procédures et techniques
Boeuf Boeuf haché/1 livre (0,45 kg) Boeuf haché/2 livres (0,90 kg) Rôti de boeuf, sans os/3 livres (1,35 kg)	10-12 min. 18-20 min. 26-28 min.	5 min. 8-12 min. 7-10 min.	Séparez puis retirez les parties décongelées avec une fourchette. Séparez puis retirez les parties décongelées avec une fourchette. Retournez au milieu de la cuisson. Protégez les extrémités ou les parties plus fines avec un film en aluminium. Séparez et déplacez une fois.
Porc Rôti de porc, sans os/3 livres (1,35 kg) Côtes de porc/1 livre (0,45 kg) Porc haché/1 livre (0,45 kg) Côtes levées/1 1/2 livres (0,68 à 0,45 kg)	20-22 min. 7-8 min. 10-12 min. 15-16 min.	10-15 min. 5-7 min. 5-7 min. 5-7 min.	Retournez à mi-cuisson. Protégez les extrémités ou les parties plus fines avec un film en aluminium. Séparez et déplacez une fois. Séparez puis retirez les parties décongelées avec une fourchette. Retournez la viande et remplacez-la, séparez une fois.
Volaille Poulet entier/3 livres (1,35 kg) Poitrine de poulet sans os/1 livre (0,45 kg) Cuisses de poulet/2 livres (0,90 kg)	20-22 min. 7-8 min. 18-23 min.	10-15 min. 5-7 min. 8-13 min.	Retournez le poulet. Protégez les extrémités des ailes, les bouts des cuisses et la poitrine avec un film en aluminium. Orientez la poitrine vers le bas. Séparez et déplacez une fois. Séparez et déplacez une fois.
Poisson Filets de poisson/1 livre (0,45 kg)	10-11 min.	5-7 min.	Séparez et déplacez une fois. Protégez si nécessaire.

Astuces générales pour la décongélation

- Ne décongelez pas une viande couverte. La couvrir risquerait de permettre sa cuisson. Retirez toujours l'emballage extérieur et le plateau. Placez les aliments sur un plateau adapté au micro-ondes dans un plat.
- Commencez à décongeler la volaille entière en orientant sa poitrine vers le bas. Commencez la décongélation des rôtis avec le côté gras vers le bas.
- La forme de l'emballage altère le temps de décongélation. Les formes rectangulaires étroites se décongèlent plus rapidement qu'un bloc profond.
- La Décongélation auto est programmée pour des poids particuliers. Les résultats de décongélation seront influencés si vous saisissez un poids incorrect.
- La Décongélation auto est programmée pour des aliments surgelés à 0° F. Si les aliments sont conservés à une température plus élevée, attendez-vous à des durées de décongélation plus courtes.
- Après 1/3 de la durée de décongélation, vérifiez les aliments. Vous souhaitez peut-être les retourner, les séparer, modifier la disposition ou retirer les parties décongelées des aliments.
- Pendant la Décongélation auto, le four vous demande de retourner les aliments.** A cet instant, ouvrez la porte du four et vérifiez les aliments. Suivez les techniques énumérées ci-dessous pour des résultats de décongélation optimum. Ensuite, fermez la porte du four, appuyez sur la touche START pour terminer la décongélation.
 - ◆ **Retourner** : Rôti, côtes, volaille entière, escalopes de dinde, hot-dogs, saucisses, steaks ou côtes.
 - ◆ **Re-disposer** : Séparer les steaks, côtes, morceaux de hamburger, viande hachée, poulet ou morceaux de fruits de mer, morceaux de viande comme du boeuf en ragoût.
 - ◆ **Protéger** : Utilisez de petites bandes d'aluminium pour protéger les zones fines ou les extrémités des aliments aux formes non homogènes comme les ailes de poulet. Pour éviter la formation d'arcs électriques, ne laissez pas l'aluminium s'approcher à 1 pouce des parois et de la porte du four
 - ◆ **Retirer** : Pour empêcher la cuisson, les parties décongelées devraient être retirées du four à cet instant. Cela peut réduire le temps de décongélation des aliments pesant moins de 3 livres (1,35 kg).
- Après la décongélation, laissez les aliments reposer 5 à 10 minutes s'il reste des zones glacées. Si les grands morceaux de rôti solides comme les rôtis de pointe de surlonge ou les croupes ne sont pas complètement décongelés après cette période de repos, remplacez le rôti dans le four et programmez la **Décongélation auto** pour 1 livre (0,45 kg).

Cuisson en deux étapes

Cette fonction vous permet de programmer deux opérations à la suite comme la décongélation et la cuisson ou la cuisson avec deux niveaux de puissance. Cela modifie automatiquement les réglages de puissance et les durées de cuisson.

Instructions élémentaires

1. Appuyez sur la touche **COOK TIME**.
"ENTER COOKING TIME" s'affiche.
2. Appuyez sur les touches numériques qui conviennent pour saisir le temps de cuisson. La durée sélectionnée et "PRESS START" s'affichent.
3. Appuyez sur la touche **POWER**.
*"POWER LEVEL IS HI [10]. TOUCH 1-9 FOR NEW POWER LEVEL---PRESS START" s'affiche.
4. Appuyez sur la touche numérique pour sélectionner le niveau de puissance de votre choix. *Le niveau de puissance sélectionné et "PRESS START" s'affichent.
5. Appuyez à nouveau sur la touche **COOK TIME**. "ENTER SECOND COOKING TIME" s'affiche.
6. Appuyez sur les touches numériques qui conviennent pour saisir la durée de cuisson de la deuxième phase de cuisson. La durée sélectionnée et "PRESS START" s'affichent.
7. Appuyez sur la touche **POWER**.
*"POWER LEVEL IS HI [10]. TOUCH 1-9 FOR NEW POWER LEVEL---PRESS START" s'affiche.
8. Appuyez sur les touches numériques pour sélectionner le niveau de puissance de votre choix. * Le niveau de puissance sélectionné et "PRESS START" s'affichent.
9. Appuyez sur la touche **START**.

- ◆ Trois bips indiquent la fin de la cuisson. "END COOK" s'affiche.
 - ◆ Le bip sonore entre les deux phases peut servir de rappel pour l'ajout d'aliments ou d'ingrédients.
- * Sautez les étapes 3 et 4 ou 7 et 8 si vous souhaitez la pleine puissance.

Fonctions particulières

Pop-corn

Instructions élémentaires

1. appuyez une fois sur la touche **POPCORN** pour un paquet de 3,5 oz. (88,71 ml).
L'**Affichage** indique "3.50 OZ BAG OF POPCORN" ou
2. Appuyez deux fois sur la touche **POPCORN** pour un paquet de 1,75 oz. (51,75 ml).
L'**Affichage** indique "1.75 OZ BAG OF POPCORN".

- ◆ La touche POPCORN a été réglée automatiquement pour le temps de cuisson correct pour un sac de pop-corn de 3,5 oz. (88,71 ml) ou 1,75 oz. (51,75 ml).

- ◆ Écoutez le pop-corn sauter puis arrêtez le micro-ondes lorsque le son d'éclatement ralentit jusqu'à un son toutes les 3 secondes.
- ◆ N'essayez pas de faire éclater à nouveau les grains non éclatés et ne réutilisez pas un sachet.
- ◆ Cuisez seulement un sachet à la fois.

ATTENTION: Si le pop-corn pré-emballé est d'un poids différent de celui recommandé, n'utilisez pas la touche **POPCORN**. Une mauvaise cuisson ou un incendie risquent de se produire. Suivez les instructions du fabricant.

Fonctions particulières

Assiette de dîner

Instructions élémentaires

1. Appuyez sur la touche **DINNER PLATE**. L'Affichage indique "DINNER PLATE"

- ◆ La durée programmée (2:40) s'affiche.
- ◆ Placez la viande et les légumes denses à l'extérieur de l'assiette.
- ◆ Placez les aliments délicats au centre de l'assiette.
- ◆ Couvrez l'assiette avec un papier gras pour maintenir la vapeur autour de la plupart des aliments sauf les viandes saignantes ou les légumes avec un aspect croquant

Pizza surgelée

Instructions élémentaires

1. Appuyez sur la touche **FROZEN PIZZA**. L'Affichage indique "PIZZA"

- ◆ La durée programmée (3:00) est indiquée dans l'Affichage.
- ◆ La durée programmée correspond à une pizza de 6.0-7.5 oz. (177,42 ml à 221,78 ml)
- ◆ Cuisez seulement une pizza à la fois.
- ◆ Suivez les consignes du fabricant.
- ◆ Utilisez uniquement des pizzas surgelées pour lesquelles il est indiquée qu'elles peuvent être cuisinées au micro-ondes.
- ◆ si la pizza au fromage ne fond pas suffisamment, cuisez pendant quelques secondes de plus.

Boisson

Instructions élémentaires

1. Appuyez une fois sur la touche **BEVERAGE** pour un(e) tasse/mug (7oz.-206,99ml). L'Affichage indique "1CUP".
2. Appuyez deux fois sur la touche **BEVERAGE** pour 2 tasses/mugs (14oz.-413,98ml). L'Affichage indique "2CUPS".
3. Appuyez trois fois sur la touche **BEVERAGE** pour 3 tasses/mugs (21oz.-620,97ml). L'Affichage indique "3CUPS".

Pommes de terre au four

Instructions élémentaires

1. Appuyez sur la touche **BAKED POTATO** :

- ◆ une fois pour 1 pomme de terre moyenne (7 oz. - 206,99 ml)
- ◆ deux fois pour 2 pommes de terre moyennes (14 oz. - 413,98 ml)
- ◆ trois fois pour 3 pommes de terre moyennes (21 oz. - 620,97 ml)
- ◆ quatre fois pour 4 pommes de terre moyennes (28 oz. - 827,96 ml)
- ◆ L'Affichage indique "1 EA POTATO" "2 EA POTATO", "3 EA POTATO" ou "4 EA POTATO"

Chaud

Instructions élémentaires

1. Appuyez sur la touche **WARM**. L'Affichage indique "WARM PRESS START".
2. appuyez sur la touche **START**.

- ◆ Le four à micro-ondes conserve au chaud sans danger les aliments cuits pendant 30 minutes maximum.
- ◆ L'ouverture de la porte ou l'appui sur la touche CANCEL/OFF annule le paramétrage de la touche WARM.
- ◆ Les aliments qui ont été couverts pendant la cuisson devraient être couverts pour le maintien au chaud.
- ◆ Les repas complets ou une assiette de dîner devraient être couverts.

Préférence

Pour programmer les paramètres de préférence :

1. Appuyez sur la touche **COOK TIME**. Saisissez la durée de cuisson.
2. Appuyez sur la touche **Power**.
3. saisissez le niveau de puissance. Par exemple "5" pour un niveau de puissance de 50%.
4. Appuyez sur la touche **FAVORITE**.
5. Appuyez sur la touche **CANCEL/OFF** pour mémoriser. Lorsqu'un programme a été saisi, "MEMO" apparaît dans l'**Affichage** pour vous indiquer que le programme a été saisi.

REMARQUE :

Répétez les étapes 1-5 pour les Programmes 2 et 3 du **CHOIX DE PREFERENCE**

Pour modifier le paramétrage de Préférence :

- ◆ Maintenez la touche **FAVORITE CHOICE** enfoncée pendant 3 secondes ou jusqu'à ce qu'un bip soit émis. L'**Affichage** indique "PROG-1". Les informations enregistrées précédemment seront effacées.
- ◆ Suivez les étapes 1-5 précédentes pour programmer les nouveaux paramètres.

Pour utiliser la Préférence :

1. Placez les aliments dans le four puis fermez la porte.
2. Appuyez sur la touche **FAVORITE CHOICE**. "PROG-1" apparaît dans l'**Affichage**.
 - ◆ Pour sélectionner le programme 2 ou 3 appuyez sur la touche **FAVORITE CHOICE** jusqu'à ce que le programme souhaité apparaisse dans l'**Affichage**.
3. appuyez sur la touche **START**.

Pour programmer le signal sonore de la préférence, la vitesse de défilement et l'affichage de l'heure :

Appuyez quatre fois sur la touche **FAVORITE CHOICE**. "PROG-4 SELECT TYPE ENTER 1-6" s'affiche.

Pour modifier le signal sonore :

- ◆ Appuyez sur la touche numérique 1. "BUZZER ON" s'affiche. Appuyez sur la touche **CANCEL/OFF**.
- ◆ Appuyez sur la touche numérique 2. "BUZZER OFF" et "MUTE" s'affichent. "MUTE" reste sur l'**Affichage** jusqu'à ce que la sonnerie soit activée. Appuyez sur la touche **CANCEL/OFF**.

Pour modifier la vitesse de défilement :

- ◆ Appuyez sur la touche numérique 3. "FAST SCROLL SPEED" s'affiche. Appuyez sur la touche **CANCEL/OFF**.
- ◆ appuyez sur la touche numérique 4. "NORMAL SCROLL SPEED" s'affiche. Appuyez sur la touche **CANCEL/OFF**.
- ◆ Appuyez sur la touche numérique 5. "SLOW SCROLL SPEED" s'affiche. Appuyez sur la touche **CANCEL/OFF**.

Pour activer/désactiver l'affichage de l'heure :

- ◆ Appuyez sur la touche numérique 6. Un signal est émis et l'**Affichage** devient vide. Pour rappeler l'heure, appuyez sur la touche **START** et l'heure actuelle s'affiche pendant 10 secondes.

Légumes congelés

Instructions élémentaires

1. Appuyez une fois sur la touche **FROZEN VEGETABLE** pour 8 oz. (236,56 ml) de légumes surgelés. L'**Affichage** indique "8 OZ FROZEN VEGETABLE".
2. Appuyez deux fois sur la touche **FROZEN VEGETABLE** pour 10 oz. (259,70 ml) de légumes surgelés. L'**Affichage** indique "10 OZ FROZEN VEGETABLE".
3. appuyez trois fois sur la touche **FROZEN VEGETABLE** pour 16 oz. (473,12 ml) de légumes surgelés. L'**Affichage** indique "16 OZ FROZEN VEGETABLE".
4. appuyez quatre fois sur la touche **FROZEN VEGETABLE** pour 20 oz. (591,40 ml) de légumes surgelés. L'**Affichage** indique "20 OZ FROZEN VEGETABLE".

Cuisson auto

Instructions élémentaires

1. Appuyez sur la touche **AUTO COOK** jusqu'à ce que les aliments souhaités s'affichent.*
2. Appuyez sur la touche numérique indiquée dans le Guide de cuisson pour le poids de cuisson souhaité.*
3. Appuyez sur la touche **START**.

* consultez le tableau ci-dessous ou l'Étiquette de Guide pour la cuisson située à l'avant de la cavité du four.

- ◆ La Cuisson auto dispose de temps de cuisson et de niveaux de puissance prédéfinis pour quatre catégories d'aliments : Soupe, Légumes frais, Muffins et Filets de poisson.
- ◆ L'**AFFICHAGE** décompte le temps de cuisson restant.

Guide pour la cuisson auto

ALIMENT	APPUYEZ SUR LA TOUCHE AUTO COOK	TOUCHE NUMERIQUE	QUANTITE
Soupe	Une fois	1	8 oz. (236,56 ml)
		2	16 oz. (473,12 ml)
		3	24 oz. (709,68 ml)
		4	32 oz. (946,24 ml)
Légumes frais	Deux fois	1	4 oz. (118,28 ml)
		2	8 oz. (236,56 ml)
		3	12 oz. (354,84 ml)
		4	16 oz. (473,12 ml)
Muffins	Trois fois	1	2 par personne
		2	4 par personne
		3	6 par personne
		4	8 par personne
Filets de poisson	Quatre fois	1	4 oz. (118,28 ml)
		2	8 oz. (236,56 ml)
		3	12 oz. (354,84 ml)
		4	16 oz. (473,12 ml)

Astuces et techniques pour la cuisson

- ◆ Pour de meilleurs résultats, couvrez le récipient avec un film en plastique et soulevez une extrémité du film pour former un trou de 1/2-pouce pour que la vapeur s'échappe.
- ◆ Après la cuisson de légumes frais, laissez-les reposer 3-5 minutes avant de les servir. Cela permettra aux aliments de finir de cuire sans trop cuire.
- ◆ Lorsque vous préparez des légumes frais, ajoutez 1/2 tasse d'eau pour 1/2 livre (0,23 kg) de légumes frais.

Fonctions particulières

Démarrage auto

La fonction DEMARRAGE AUTO vous permet de programmer le four pour qu'il commence la cuisson à un horaire prédéfini (possibilité de retarder le départ jusqu'à 11 heures et 59 minutes. Vous pouvez programmer deux opérations à la suite avec deux niveaux de puissance différents.

Instructions élémentaires

1. Appuyez sur la touche **COOK TIME**.
2. Saisissez la durée de cuisson. *
3. Appuyez sur la touche **POWER**.
4. Saisissez le niveau de Puissance.
5. Appuyez sur la touche **COOK TIME**.
6. Saisissez la durée de cuisson.
7. Appuyez sur la touche **POWER**.
8. Saisissez le niveau de Puissance.
9. Appuyez sur la touche **CLOCK**.
10. Saisissez l'heure de l'horloge à laquelle vous souhaitez que le four se mette en marche.
11. Appuyez sur la touche **START**.**

- ◆ N'utilisez pas d'aliments contenant de la poudre de cuisine ou de la levure lorsque vous utilisez le **DEMARRAGE AUTO**. Ils ne lèveront pas correctement.
 - ◆ **Mise en garde** : N'utilisez pas des aliments qui se détérioreront pendant l'attente avant le démarrage comme des plats avec du lait ou des oeufs, des soupes à la crème ou des viandes cuites ou du poisson. Tout aliment qui doit attendre avant d'être cuit devrait être très froid ou congelé avant d'être placé dans le four. Les aliments non congelés ne devraient jamais rester plus de deux heures dans le four avant le démarrage de la cuisson.
- Ne laissez pas des aliments dans le four pendant plus de deux heures après la fin du cycle de cuisson.

Pour vérifier l'heure du Démarrage auto :

Appuyez sur la touche **CLOCK**. L'heure de DEMARRAGE AUTO programmée et "AUTO START COOKING TIME" s'affichent.

Astuces pour le paramétrage du Démarrage auto :

- ◆ Avant de faire les réglages, vérifiez que l'heure affichée est correcte.
- ◆ Si vous entendez le ventilateur se mettre en marche lorsque vous appuyez sur la touche **START**, vous n'avez pas bien réglé le four. Appuyez sur la touche **CANCEL/OFF** puis recommencez.

Réglage d'une durée plus ou moins longue

Vous pouvez augmenter ou diminuer les paramètres pré-réglés pour les **FONCTIONS DE CUISSON EN APPUYANT SUR UNE SEULE TOUCHE** sauf la fonction **SNACK** si vous préférez un temps de cuisson plus ou moins long.

Pour ajuster les paramètres pré-réglés :

1. Appuyez une fois sur la touche **POWER** pour augmenter la durée de 20 secondes ou deux fois pour diminuer la durée de 20 secondes.
2. Appuyez sur la touche de votre choix pour la **CUISSON A L'AIDE D'UNE SEULE TOUCHE**.

Plateau pivotant activé/désactivé

Pour de meilleurs résultats de cuisson, laissez le plateau tournant activé.

Lorsque vous utilisez de grands plats, vous pouvez désactiver cette fonction.

- ◆ Appuyez sur la touche TURNTABLE pour activer ou désactiver la rotation du plateau.
- ◆ L'affichage montre le voyant T/T OFF.
- ◆ La fonction PLATEAU PIVOTANT ne peut pas être désactivée avec les options ci-dessous :

POP-CORN, BOISSON, POMME DE TERRE AU FOUR, ASSIETTE DE DINER, PIZZA SURGELEE, LEGUMES SURGELES, SNACK, CUISSON AVEC CAPTEUR.

Verrouillage des commandes

Le fonctionnement du four peut être verrouiller pour empêcher le micro-ondes d'être mis en marche par accident.

Toutes les fonctions du four peuvent être verrouillées.

Pour activer le verrouillage :

Maintenez la touche **CANCEL/OFF** enfoncée pendant trois secondes. L'affichage indique "LOCKED" et le four émet un bip.

Pour annuler le verrouillage :

Maintenir la touche **CANCEL/OFF** enfoncée pendant trois secondes. "LOCKED" disparaît de l'**Affichage** et le four émet un bip.

Fonctions particulières

Utilisation du ventilateur d'aération

Vous pouvez contrôler le ventilateur à 2 vitesses en appuyant sur la touche VENT FAN.

Instructions élémentaires

1. Appuyez sur la touche VENT FAN une fois pour une vitesse ELEVEE.
L'Affichage indique "HIGH VENT FAN".
2. Appuyez deux fois sur la touche VENT FAN pour passer à la vitesse LENTE.
L'Affichage indique "LOW VENT FAN".
3. Appuyez trois fois sur la touche VENT FAN pour éteindre le ventilateur d'aération.
L'Affichage indique "OFF VENT FAN".

Pour programmer un ventilateur pour qu'il fonctionne pendant une durée particulière :

1. Démarrez le ventilateur en appuyant sur la touche VENT FAN.
2. Programmez la durée de fonctionnement.
 - ◆ Maintenez la touche **TIMER** enfoncée pendant 3 secondes. L'Affichage indique "FAN".
3. Saisissez la durée souhaitée.
4. Appuyez sur la touche **START**.

Pour annuler la durée programmée :

- ◆ Appuyez deux fois sur la touche **CANCEL/OFF**.

Remarque . . .

- ◆ Si la température autour du four à micro-ondes devient trop élevée, le ventilateur d'évacuation à l'intérieur de la hotte de ventilation active automatiquement le paramétrage **Faible** pour protéger le four. Le ventilateur peut rester en marche pendant une heure maximum pour refroidir le four. Lorsque cela se produit, la touche **Fan Off** n'éteindra pas le ventilateur.
- ◆ Si le ventilateur et l'éclairage fonctionnent et que vous maintenez la touche **TIMER** enfoncée, l'éclairage et le ventilateur seront tous deux contrôlés par la minuterie. L'Affichage alterne entre "FAN" et "LIGHT" une fois.
- ◆ L'annulation de la minuterie entraînera son extinction ; toutefois, l'annulation de la minuterie n'annulera pas le ventilateur. Le ventilateur continuera à fonctionner jusqu'à ce qu'il soit éteint par vous.

Utilisation de l'éclairage de la cuisson

Vous pouvez contrôler l'éclairage de la cuisson en appuyant sur la touche LIGHT.

Instructions élémentaires

1. Appuyez une fois sur la touche LIGHT pour allumer la l'éclairage de la cuisson.
L'Affichage indique "ON LIGHT".
2. Appuyez deux fois sur la touche LIGHT pour allumer l'éclairage de nuit.
L'Affichage indique "NIGHT LIGHT".
3. Appuyez sur la touche LIGHT trois fois pour éteindre l'éclairage de la cuisson ou l'éclairage de nuit. L'Affichage indique "OFF LIGHT".

Pour régler la lumière pour qu'elle s'allume pendant une Durée particulière :

1. Allumez l'éclairage en appuyant sur la touche **LIGHT**.
2. Programmez la durée "ON".
 - ◆ Maintenez la touche **TIMER** enfoncée pendant 3 secondes. L'Affichage indique "LIGHT".
3. Saisissez la durée souhaitée.
4. appuyez sur la touche **START**.

Pour annuler la durée :

- ◆ Appuyez deux fois sur la touche **CANCEL/OFF**.

Entretien et nettoyage

Intérieur du four à micro-ondes

L'intérieur du four à micro-ondes devrait être nettoyé après chaque utilisation à l'aide d'un chiffon humide pour éliminer toute trace de graisse et éviter l'accumulation d'impuretés. Les taches résistantes peuvent être retirées à l'aide d'un tampon de grattage en plastique. Lorsque vous nettoyez les surfaces internes et les surfaces de la porte et du four qui se rejoignent lorsque la porte est fermée, utilisez uniquement des savons ou des détergents de puissance moyenne non abrasifs appliqués à l'aide d'une éponge ou d'un chiffon doux.

Les odeurs peuvent être éliminées à l'intérieur du four en faisant bouillir une solution d'une tasse d'eau et de plusieurs cuillères à soupe de jus de citron dans le four pendant 5-7 minutes. Cela permet également de ramollir toute saleté séchée dans le four. Essayez l'humidité en excès après utilisation.

Remarque . . .

- ◆ **Ne pas** asperger ou verser de nettoyants liquides directement sur une surface. Aspergez ou versez le nettoyant sur un tissu ou sur une éponge puis nettoyez.
- ◆ **Ne pas** utiliser de nettoyants abrasifs, de nettoyant pour four, de tampon de nettoyage abrasif ou de laine d'acier car ceux-ci risquent de rayer ou de ternir les surfaces du four.
- ◆ **Ne pas** retirer ou insérer un couteau autour du couvercle du mélangeur pour le nettoyer, cela risque de détériorer le couvercle ou d'influencer la performance de la cuisson de votre four.

Bas du four

Nettoyez le bas du four à l'eau chaude savonneuse, rincez puis séchez. N'utilisez pas de quantités d'eau excessives pendant le nettoyage du four, en particulier à proximité du plateau pivotant. Ne laissez pas de l'eau ou des agents nettoyants s'infiltrer dans les rouages du plateau pivotant situés au-dessous.

Plateau de verre / Plateau pivotant

Laissez-le refroidir avant de le retirer pour le nettoyer.

Lavez-le à l'eau savonneuse ou au lave-vaisselle.

Guide roulant

Nettoyez-le fréquemment pour éviter tout bruit excessif.

Lavez à l'eau savonneuse ou au lave-vaisselle.

Extérieur du four

Essayez l'extérieur de votre four à l'aide d'un chiffon savonneux, rincez puis séchez. N'utilisez pas de nettoyant abrasif. Ils risquent de rayer la surface.

Compartiment d'éclairage

Nettoyez souvent la graisse et la poussière accumulées sur le couvercle du compartiment d'éclairage sur la côté inférieur du four à micro-ondes avec de l'eau chaude et du détergent.

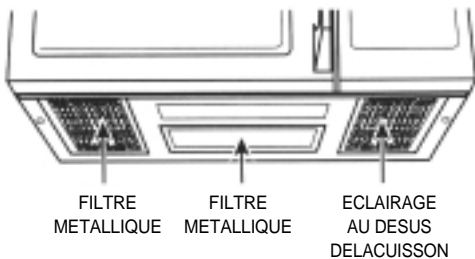
Console de commande

Essayez avec un chiffon humide. Séchez. N'aspergez pas de nettoyant directement sur la console. Aspergez les nettoyants sur le chiffon puis essuyez.

Entretien et nettoyage

L'évacuation

La hotte d'évacuation de votre four à micro-ondes est équipée de deux filtres métalliques qui collectent la graisse. Lorsque le ventilateur fonctionne, l'air est aspiré vers le haut à travers les filtres et est ensuite rejeté dans la ventilation vers l'extérieur ou à travers les filtres à charbon si la ventilation n'est pas dirigée vers l'extérieur.



Filtres à graisse réutilisables

Les filtres à graisse réutilisables devraient être nettoyés au moins une fois par mois. N'utilisez jamais le four à micro-ondes si aucun filtre n'est en place. Dans certaines situations où un embrasement risque de se produire sur des surfaces au-dessous de la hotte, les filtres empêchent les flammes de pénétrer à l'intérieur de l'appareil.

Pour retirer le filtre à graisse

Pour retirer le filtre à graisse, saisissez le point de saisie par les doigts du filtre et faites-le glisser vers l'arrière. Tirez ensuite le filtre vers le bas et vers l'avant. Le filtre va tomber.



Pour nettoyer le filtre à graisse

Pour nettoyer les filtres à graisse, plongez puis agitez le filtre dans une solution d'eau très chaude et de détergent. N'utilisez pas d'ammoniaque ni de produits à base d'ammoniaque parce que ceux-ci assombrissent les métaux. Un brossage léger peut être utilisé pour éliminer la graisse incrustée. Rincez, secouez et éliminez l'humidité avant de remettre le filtre en place.

Pour remplacer le filtre à graisse

Pour remplacer le filtre à graisse, faites glisser le filtre dans l'encoche du cadre au dos de l'ouverture. Tirez le filtre vers le haut et vers l'avant pour le verrouiller en position.

Eclairage au-dessus de la cuisson

Remplacement de l'ampoule d'éclairage

Pour remplacer l'ensemble éclairage de cuisson /éclairage de nuit :

1. Débranchez l'alimentation au niveau du fusible principal ou du coupe-circuit ou tirez sur la prise.
2. Retirez la vis du côté gauche du couvercle du compartiment d'éclairage puis abaissez le couvercle jusqu'à ce qu'il s'arrête. (Voir Figures 1 et 2.)
3. Dévissez doucement la/les ampoule(s). Assurez-vous que l'ampoule/les ampoules à remplacer sont froides avant de les retirer.
4. Remplacez par des ampoules à incandescence de 30 watts disponibles auprès de votre revendeur agréé. Une/des ampoule(s) de 30 watts d'intensité élevée sont disponibles dans les supermarchés, les quincailleries, peuvent également être utilisées pur les remplacements.
5. Soulevez le couvercle du compartiment d'éclairage puis remettez la vis en place.
6. Raccordez l'alimentation électrique au micro-ondes.

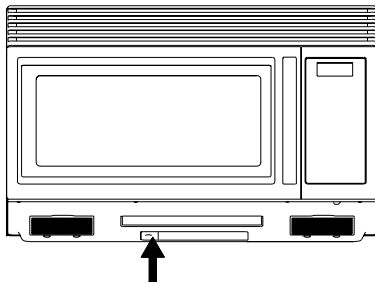


FIGURE 1

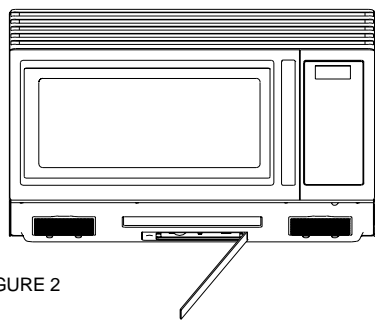


FIGURE 2

Eclairage du four

Pour remplacer l'éclairage du four :

1. Déconnectez l'alimentation électrique au niveau du fusible principal ou du coupe-circuit ou débranchez la prise.
2. Retirez la grille supérieure en retirant les 2 vis qui la maintiennent en place. (Voir Figures 3.)
3. Retirez le filtre à charbon.
4. Retirez le couvercle de la lampe. (Voir Figure 4.)
5. Remplacez l'ampoule d'éclairage par une ampoule de 30 watts.
6. Remettez la structure de l'éclairage dans son emplacement d'origine.
7. Remettez le filtre à charbon en place.
8. Remettez en place la grille supérieure et fixez-la bien avec des vis.
9. Raccordez l'alimentation électrique.

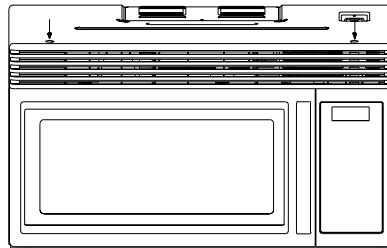


FIGURE 3

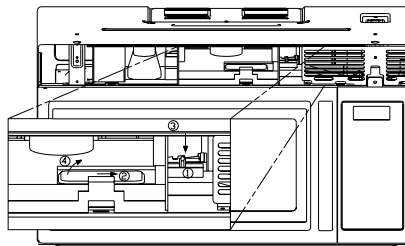


FIGURE 4

Questions et réponses fréquentes

Q & R

Q. Puis-je ouvrir la porte pendant que le four à micro-ondes fonctionne ?

R. La porte peut être ouverte à tout moment pendant la cuisson. Le four arrête automatiquement la cuisson et le paramétrage de la durée demeure jusqu'à ce que la porte soit refermée et que vous appuyez à nouveau sur la touche **START**.

Q. Pourquoi est-ce que l'éclairage intérieur du four et l'affichage sont plus faibles lorsque j'utilise un Niveau de puissance variable ?

R. C'est tout à fait normal et cela indique que votre four fonctionne et change de cycle correctement.

Q. Pourquoi est-ce que de la vapeur s'échappe autour de la porte et pourquoi est-ce que des gouttelettes d'humidité se forment à l'intérieur de la porte du micro-ondes ?

R. Ce phénomène est normal ; lorsque les aliments cuisent ils dégagent de la vapeur.

Q. Que signifient les différents bips ?

R. Bip court = appui sur une touche.

Trois bips courts = erreur de saisie.

Un bip long = four branché.

Trois bips longs = fin de la cuisson

(le micro-ondes s'éteint).

Série de trois bips courts = vérification des aliments pour voir s'il faut les retourner ou les replacer.

Q. Le four peut-il être utilisé sans le plateau de verre ou le guide roulant ?

R Non. Le plateau de verre et le guide roulant doivent toujours être utilisés dans le four pendant la cuisson.

Tous les phénomènes ci-dessous sont normaux avec votre four à micro-ondes.

- ◆ De la vapeur s'échappe des alentours de la porte.
- ◆ Réflexion de lumière autour de la porte ou du boîtier externe.
- ◆ Affaiblissement de l'éclairage du four et changement du bruit du ventilateur susceptibles de se produire pendant une utilisation à des niveaux de puissance autres qu'élevés.
- ◆ Son rythmé sourd lorsque le four fonctionne.

Ensemble du filtre à charbon

Un ensemble de filtre à charbon pour la recirculation est fourni avec les modèles qui ne sont pas ventilés vers l'extérieur. Voir le guide d'installation pour des renseignements plus détaillés.

Avant de nous appeler

Vérifiez les points ci-dessous pour être certain qu'un appel aux services de réparation est nécessaire :

Si rien ne fonctionne sur le four :

- ◆ vérifiez si un fusible a sauté ou si un coupe-circuit principal s'est déclenché.
- ◆ vérifiez si le four est correctement raccordé au circuit électrique de la maison.
- ◆ vérifiez que les commandes sont bien réglées.
- ◆ vérifiez que le temps de cuisson est réglé.

Si l'éclairage intérieur du four ne fonctionne pas :

- ◆ L'ampoule d'éclairage est peut-être desserrée ou défectueuse. Voir page 20 ou appeler un dépanneur qualifié.

Si le four ne cuit pas :

- ◆ vérifier si la console de commande a été bien programmée.
- ◆ vérifier si la porte est bien fermée.
- ◆ vérifier si la touche **START** a été utilisée.
- ◆ **Le Démarrage auto** a peut-être été utilisé.
- ◆ le **Verrouillage des commandes** a peut-être été activé
- ◆ vérifiez la zone entre la porte et le joint pour détecter toute obstruction.

Si la cuisson dans le four dure plus longtemps ou moins longtemps que d'habitude :

- ◆ assurez-vous que le **Niveau de puissance** est bien programmé.
- ◆ vérifiez les instructions sur la densité des aliments, etc.
- ◆ vérifiez que la tension arrivant au four à micro-ondes n'est pas faible.

Si l'heure affichée ne reste pas toujours correcte :

- ◆ vérifiez si le cordon d'alimentation est bien branché dans la prise secteur.
- ◆ vérifiez que le four est correctement raccordé à la terre.
- ◆ essayez de brancher le four dans une prise secteur sur un circuit électrique séparé.

Si le revêtement du four ou le plateau de verre sont chauds :

- ◆ c'est normal. Le revêtement absorbe la chaleur émise par les aliments.

Si l'intérieur du four recueille l'humidité :

- ◆ c'est normal. Les aliments produisent de l'humidité pendant la cuisson et la vapeur s'accumule sur la porte et sur la surface du four. Essayez l'excès d'humidité à l'intérieur du four après chaque utilisation.

Si les aliments ne cuisent pas de façon uniforme :

- ◆ consultez votre recette pour vérifier les procédures de cuisson correctes.
- ◆ vérifiez que les aliments sont de forme homogène.
- ◆ vérifiez que les aliments sont complètement décongelés avant la cuisson.
- ◆ vérifiez l'emplacement des bandes d'aluminium utilisées pour empêcher la sur-cuisson.

Si les aliments ne sont pas assez cuits :

- ◆ vérifiez la recette pour être sûr que toutes les instructions (quantité, durée et niveaux de puissance) ont été suivies correctement.
- ◆ vérifiez la tension de la maison.
- ◆ essayez de brancher le four dans une prise située sur un circuit électrique différent.
- ◆ vérifiez que les aliments ont été complètement décongelés avant la cuisson.

Si les aliments sont trop cuits :

- ◆ vérifiez la recette pour être sûr que toutes les instructions (quantité, durée et niveaux de puissance) ont été suivies correctement.
- ◆ la température initiale des aliments était peut-être plus élevée que la normale.

Si un arc électrique (étincelles) se produit :

- ◆ vérifiez que vous utilisez des plats compatibles avec le micro-ondes.
- ◆ vérifiez que des liens de fermeture en fer n'ont pas été utilisés.
- ◆ vérifiez que le four n'a pas fonctionné à vide.

Si l'affichage indique une durée se décomptant mais que le four ne cuit pas :

- ◆ vérifiez si la porte est bien fermée.


Magic Chef®

Garantie du four à micro-ondes

MC Appliance Corp. garantit que chaque Four à micro-ondes neuf est dépourvu de défaut de pièce ou de main d'oeuvre et accepte de remédier à tout défaut de ce type ou de fournir une/des pièce(s) neuve(s) (à la discrétion de l'entreprise) pour toute(s) pièce(s) de l'appareil qui tomberait en panne pendant la durée de la garantie. Les frais de pièces et de main d'oeuvre sont couverts sur cet appareil pour une période d'un an à compter de la date d'achat. De plus, MC Appliance Corp. garantit que le Magnetron (pièces uniquement) contre tout défaut de pièce et de main d'oeuvre pour une durée de 8 ans. Le consommateur prend en charge toute dépense de main d'oeuvre et de transport liée au diagnostic et au remplacement du Magnetron à partir de l'expiration de la période de garantie initiale l'un an. Au cas où l'appareil aurait besoin d'être remplacé ou remboursé dans le cadre de la présente garantie, le consommateur est responsable pour tous les frais de transport pour le retour de l'appareil à notre usine avant de recevoir un appareil de remplacement ou un remboursement. **Une copie du ticket de caisse/facture d'achat daté(e) est nécessaire pour bénéficier du service de la garantie.**

Cette garantie couvre les produits utilisés aux Etats-Unis continentaux, à Porto Rico, à Hawaï et le Canada. La présente garantie ne prend pas en charge les éléments ci-dessous :

- Détériorations provoquées pendant l'expédition ou par une mauvaise installation.
- Détériorations dues à une mauvaise utilisation ou à une utilisation abusive.
- Pertes de contenu en raison d'une défaillance de l'appareil.
- Réparations effectuées par des agents d'entretien non homologués.
- Appels pour un entretien non lié à des défauts de pièces et de main d'oeuvre comme des instructions concernant l'utilisation correcte du produit ou une mauvaise installation.
- Remplacement ou réinitialisation des fusibles de la maison ou des coupe-circuits.
- Panne de ce produit en cas d'utilisation pour un usage autre que celui pour lequel il a été conçu.

La présente garantie annule et remplace toutes les garanties exprimées ou induites et aucun représentant ou personne n'est autorisé à assumer pour nous toute autre responsabilité en rapport avec la vente de ce produit. En aucune circonstance le client n'est autorisé à retourner cet appareil à l'usine sans autorisation écrite préalable délivrée par MC Appliance corp.

Modèle	Pièces	Main d'oeuvre	Magnetron (Pièces uniquement)	Type de service
MCO153UWF MCO153UBF MCO153SF MCO153UQF	Un an	Un an	Huit ans	Dans-Maison

**Pour des Réparations ou de l'Assistance, veuillez téléphoner au
888 775-0202**

Ou consultez notre site Internet : www.magicchef-ewave.com

Free Manuals Download Website

<http://myh66.com>

<http://usermanuals.us>

<http://www.somanuals.com>

<http://www.4manuals.cc>

<http://www.manual-lib.com>

<http://www.404manual.com>

<http://www.luxmanual.com>

<http://aubethermostatmanual.com>

Golf course search by state

<http://golfingnear.com>

Email search by domain

<http://emailbydomain.com>

Auto manuals search

<http://auto.somanuals.com>

TV manuals search

<http://tv.somanuals.com>