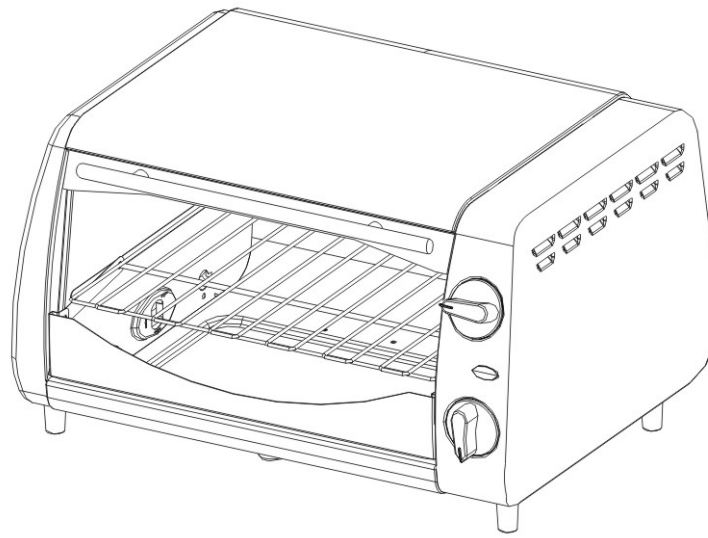




**TOASTER OVEN
(4-SLICE CAPACITY)**

EWTO7S10

-HOUSEHOLD USE ONLY-



⚠ CAUTION:

BEFORE USE, PLEASE READ AND FOLLOW ALL IMPORTANT SAFEGUARDS, PRECAUTIONS AND OPERATING INSTRUCTIONS.

Table of Contents

Safety Instructions	3-5
Parts and Features	6
Operating Instructions	7-8
Cleaning and Maintenance	8
Warranty	9

What You Need to Know About Safety Instructions

Warning and Important Safety Instructions appearing in this manual are not meant to cover all possible conditions and situations that may occur. Common sense, caution and care must be exercised when installing, maintaining, or operating appliance.

Always contact your dealer, distributor, service agent or manufacturer about problems or conditions you do not understand.

Recognize Safety Symbols, Words, Labels

WARNING

WARNING-Hazards or unsafe practices which **COULD** result in severe personal injury or death.

CAUTION

CAUTION-Hazards or unsafe practices which **COULD** result in minor personal injury.

IMPORTANT SAFEGUARDS

WARNING

When using electrical appliances, basic safety precaution should always be followed, including the following:

IMPORTANT SAFEGUARDS

- 1) Read all instructions.**
- 2) This appliance is for household use only. Do not use outdoors.
- 3) Do not use this appliance for other than its intended use.
- 4) Before using for the first time, check if voltage indicated on the base of the appliance corresponds to the voltage in your home.
- 5) Do not turn the power on unless this appliance is properly assembled.
- 6) Close supervision is necessary when any appliance is used by or near children.
- 7) Do not operate any appliance with a damaged cord or plug, or after the appliance malfunctions or has been damaged in any manner.

Return appliance to authorized service center for examination, repair or adjustment.

- 8) The use of attachments or accessories not recommended or sold by the manufacturer may result in fire, electric shock or injury.
- 9) Unplug the appliance from the outlet when not in use, assembling and disassembling, and before cleaning. Make sure the appliance cools down completely before assembling, disassembling and cleaning.
- 10) Do not let cord hang over edge of table or counter, or touch hot surfaces.
- 11) Do not touch hot surfaces. Use handles or knobs.
- 12) Leave about 6-8 inches open spaces all around the exterior of this appliance.
- 13) Do not place anything on top of this toaster oven.
- 14) Do not operate the appliance on a wall-mount, shelf, or near flammable materials such as blinds, curtains, etc.
- 15) Oversize foods or metal utensils must not be inserted in a toaster oven as they may create a fire or risk of electric shock.
- 16) If the electric circuit is overloaded with other appliance, this appliance may not operate properly. The toaster oven should be operated on a separate electrical circuit from other operating appliance.
- 17) Store only the accessories provided with this unit inside the oven. Do not store any other materials in this oven when not in use.
- 18) A fire may occur if the appliance is covered or touching flammable materials including curtains, draperies, walls or alike, when in operation.
- 19) Do not place any cardboard, paper, plastic or alike inside the oven.
- 20) Do not cover crumb tray or any part of the oven with metal foil. This will cause overheating of the oven.
- 21) To disconnect, turn the control to OFF, then remove the plug. Always hold the plug, but never pull the cord.
- 22) All containers placed inside the oven must not be airtight. Also, they need to have enough room to allow for expansion of fluids.
- 23) Clean this appliance regularly as built-up of grease may cause a fire.
- 24) Do not clean with metal scouring pads. Pieces can break off the pad and touch electrical parts involving a risk of electric shock.
- 25) Stale toast, croutons, crackers may catch fire inside this appliance. Watch the toasting process carefully.

- 26) Use only a soapy damp rag to clean the glass on oven door. Do not use any sharp utensils as this may damage the glass and possibly cause breaking of the glass.
- 27) Do not place on or near a hot gas or electric burner, or in a heated oven.
- 28) Extreme caution should be exercised when using containers constructed of other than metal or glass.

 **WARNING:**

To protect against electric shock, fire, and injury to persons, do not immerse main cord, plug or unit in water or any other liquid.

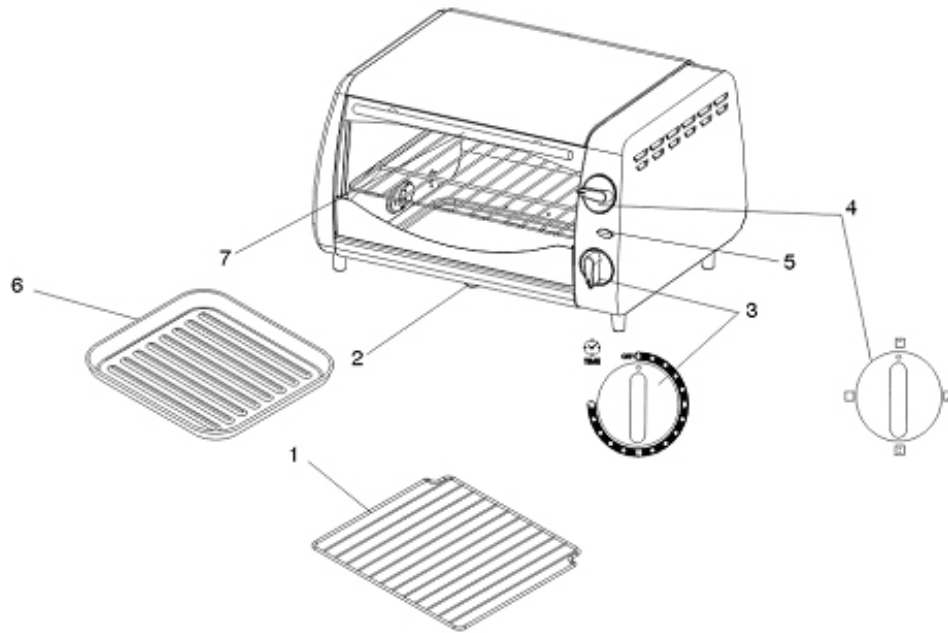
 **CAUTION:**

This product is equipped with a polarized plug (one blade is wider than the other blade) as a safety feature to reduce the risk of electrical shock. This plug will fit into a polarized outlet only one way. This is a safety feature. If you are unable to insert the plug into the electrical outlet, try reversing the plug. If the plug still does not fit, contact a qualified electrician.

Never use the plug with an extension cord unless the plug can be fully inserted into the extension cord. Do not alter the plug of the appliance or any extension cord used with this appliance. Do not attempt to defeat the safety purpose of the polarized plug.

SAVE THESE INSTRUCTIONS

Parts and Features



1. Wire Rack
2. Crumb Tray
3. Timer Control Knob
4. Cooking Mode Selector Knob
5. Power Light
6. Cooking Tray
7. Door Handle

SPECIFICATIONS:

- Voltage Rating: 120V 60Hz
- Power Rating: 600 Watts
- Maximum Capacity: 10 litres / 0.35 cu ft. / 4-Slice
- 30 minute Timer

Before Your First Use

Carefully unpack the toaster oven and remove all packaging materials. Select a flat, heat-resistant, non-flammable surface to place toaster oven. Do not immerse the toaster oven in water or other liquid. To remove any dust that may have accumulated on the removable parts during packaging, clean the surface with damp cloth and remove any stickers (except for any warning/caution stickers) Before first use, heat up the oven empty and leave the door open for at least ten minutes. This will burn off the brand new scent. A little smoke may be normal to be produced and will disappear in short while during usage.

Operating Instructions

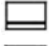

Please familiarize yourself with the following oven parts and accessories prior to the usage:

PARTS & ACCESSORIES

- **Wire Rack:** For toasting, baking, and general cooking in casserole dishes and standard pans.
- **Cooking Tray:** For use in broiling and roasting meat, poultry, fish, and various other foods including bakery.
- **Crumb Tray:** Always keep crumb tray in place to collect crumbs and drips during cooking. Clean regularly.



1. Place the food in the oven by placing it on top of the cooking tray. Non-oily food can be placed directly while oil food should be wrapped in aluminum foil as oil spill on the tray may burn causing smoke and tarnishing the tray.
2. Select the heating method by turning the cooking mode selector knob clockwise.
 - A. - Both (upper & lower) heating elements are OFF.
 - B. - Upper heating element is ON.

- C.  - Lower heating element is ON.
- D.  - Both (upper & lower) heating elements are ON.
3. Select the timer by turning the timer knob clockwise to a desired time up to 30 min max. When cooking cycle completes bell chime will sound indicating that the cooking has been finished. Different foods may require different time selection.
 4. When the user wants to end the cycle before the timer reaches 0, turn off the timer counter-clockwise to "off" or "0" position to manually turn off the oven.
 5. Remove the food from the oven and serve.

 **CAUTION:**

Be sure to remove all paper and plastic wrap/packaging from the food before cooking.

 **CAUTION:**

The surface of the oven will get hot during and after use. Keep your hands safe by not touching the surface.

Cleaning and Maintenance

COMPLETELY CLEAN AND DRY ALL PARTS AFTER EVERY USE.

1. Unplug the oven and allow it to cool completely before any cleaning or maintenance.
2. Never allow water to spill on the tempered glass door when it is still warm.
3. To clean interior walls, use a damp cloth and a mild liquid soap solution or a soapy solution on a sponge. Never use harsh abrasives corrosive products. These could damage the oven surfaces.
4. Do not use abrasive cleaners, as they could leave scratches on the body. Simply wipe the exterior with a clean cloth and dry thoroughly.
5. Wire rack and bake tray are dishwasher safe. If heavily soiled, soak in hot sudsy water or use a nylon-scouring pad or nylon brush.
6. Never wrap the cord around the outside of the oven.

SAVE THESE INSTRUCTIONS

eWAVE

Limited Warranty

This **Ewave** product is warranted, to the original purchaser or gift recipient, to be free from any manufacturing defects under normal use and conditions for a period of one (1) year from the date of purchase as shown on retailer's receipt.

The obligation of **MC Appliance** under this warranty shall be limited to repair or replacement (at our option) during the warranty period, of any part that proves to be defective in material or workmanship under normal installation and use. The product is to be returned to **MC Appliance** or an Authorized Service Center **POSTAGE PREPAID**. A copy of the original receipt along with your name, address and phone number must accompany products returned. Include a description of the defect along with the date you purchased the product.

This warranty shall be invalid if the product is damaged as a result of misuse, abuse, negligence, defacement, destruction, accident, fire or other casualties or alterations in any manner. Improper repair, improper use of electrical voltages or currents, alteration of serial number, maintenance by any person or entity other than our own Service Facility or Center, or any use not in conformity with product instruction, shall render this warranty invalid.

MC Appliance assumes no responsibility for damage resulting from the use of this product in a manner or location other than that for which it was intended.
WARRANTY CONDITIONAL TO NORMAL AND NON-COMMERCIAL USE OF THIS APPLIANCE FOR DOMESTIC USE ONLY.

For the nearest Authorized Service Center, contact:
Ewave Customer Service: 1-888-775-0202
Or visit our website at www.mcappliance.com

Free Manuals Download Website

<http://myh66.com>

<http://usermanuals.us>

<http://www.somanuals.com>

<http://www.4manuals.cc>

<http://www.manual-lib.com>

<http://www.404manual.com>

<http://www.luxmanual.com>

<http://aubethermostatmanual.com>

Golf course search by state

<http://golfingnear.com>

Email search by domain

<http://emailbydomain.com>

Auto manuals search

<http://auto.somanuals.com>

TV manuals search

<http://tv.somanuals.com>