



# Owner's Manual

Models: M4  
M5

This device complies with part 15 of the FCC rules. Operation is subject to the following two conditions:

- (1) This device may not cause harmful interference; and
- (2) This device must accept any interference received, including interference that may cause undesired operation.

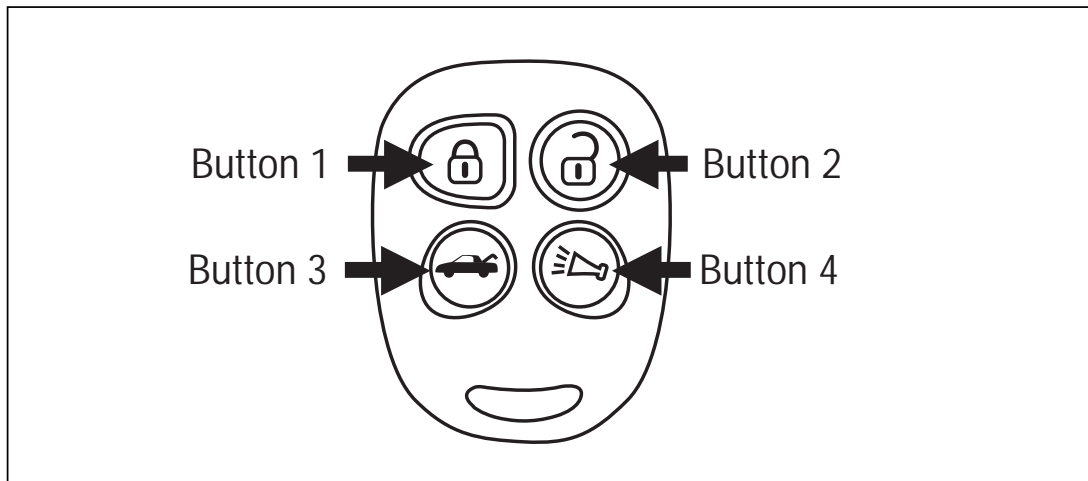
Note: The manufacturer is not responsible for any radio or TV interference caused by unauthorized modifications to this equipment. Such modifications could void the user's authority to operate the equipment.

© Copyright 2001 Magnadyne Corporation

Congratulations on your purchase of a quality Marksman automotive security system. Marksman automotive security products have been designed to provide the consumer with a product that is technologically superior and will provide years of trouble free operation. The information enclosed will provide a ready reference of the operation and maintenance of your new Marksman security system.

## Remote Control Transmitters

Use the drawing as a reference while reading through the operating procedures. Normally the dedicated buttons mode is used in all applications. However, the security receiver module can be programmed to operate in a separate channel mode if desired.



### Dedicated Button Mode

Button 1. Locks doors and arms the alarm.

Button 2. Unlocks doors and disarms alarm.

Button 3. Activates auxiliary channel #2 for output. (3 second delay)

Button 4. Activates panic feature.

Button 1 and 3. Depress both the lock & aux buttons at the same time to activate channel #3 output. (if installed, available on M5 only)

For silent arming or silent disarming (No chirps). Momentarily depress the aux button (3), then depress the Lock (1) or Unlock (2) button.

### Separate Channel Mode

If your system has been programmed for separate channels mode. The buttons will perform a different function than shown on the icons on the transmitter and operate as following:

Button 1. Lock button performs Arm/Lock and Unlock/Disarm functions.

Button 2. The Unlock button activates channel 2 output. Alternatively, can be programmed to arm/disarm a second vehicle equipped with a Marksman M4 or M5 security system.

Button 3. The aux button activates channel 3 output. Alternatively, can be programmed to arm/disarm a second or third vehicle equipped with a Marksman M4 or M5 security system.

Button 4. Activates panic feature.

Note: The following procedures are based on Dedicated Button Mode programming.

## Security System Operation

### Using The Transmitter To Arm The Security System

1. Exit the vehicle and close all entrances.
2. Press and release the LOCK button on the transmitter. The security system will respond as follows:
  - A. The horn/siren will chirp one time.
  - B. The LED indicator will begin to flash at a steady rate.
  - C. The parking lights will flash one time.
  - D. All protected entrances are armed.

The security system is now fully armed!

## Automatically Arming the Security System

### Arming the Security System without Using The Transmitter

Note: The following information is valid only if your security system has been programmed to automatically arm.

1. Turn off the ignition key and exit the vehicle.
2. Close all protected entrances. After the last protected entrance is closed the horn/siren will chirp one time and the LED indicator will begin to flash fast. The fast flashing LED indicates that the automatic arming timer is counting down and the security system will become armed within 30 seconds. After 30 seconds has passed, the security system will respond in the following manner:
  - A. The horn/siren will chirp one time.
  - B. The LED indicator will begin to flash slower.
  - C. The parking lights will flash one time.
  - D. All protected entrances are armed.

Note 1: Re-opening a protected entrance before the system becomes armed will stop the arming timer. After closing the entrance the timer will begin counting again from zero.

Note 2: If the vehicle has a delayed interior lighting system, the automatic arming timer will start counting after the interior lighting has turned itself off. This could add up to 45 seconds to the total automatic arming countdown time. (Up to 75 seconds total arming delay)

The security system is now fully armed!

## Disarming the Security System Using the Transmitter

1. Press and release the UNLOCK button on the transmitter. The security system will respond as follows:
  - A. The horn/siren will chirp two times.
  - B1. The LED indicator will be off. (Only if Auto Arming is programmed "Off")
  - B2. The LED indicator will be flashing very fast. (Only if Auto Arming is programmed "On")
  - C. The parking lights will flash two times.

Note: If you are disarming the security system after it has been triggered and the horn/siren is sounding, the disarm chirps are automatically deleted.

## Disarming the Security System Using the Transmitter

### Disarming The Security System Using the Passive Transmitter

(M5 Security System only)

- A. The passive transmitter may be used as a normal transmitter and/or as a passive transmitter.
- B. For passive unlocking/disarm operations to operate, the slide switch must be in the "on" position.
- C. With the security system armed, walk toward your vehicle and the security system will respond the same as pushing the unlock button on the transmitter.
- D. Anytime the passive-unlocking/disarm feature is not desired move the switch to "off" position.

#### Operation Notes:

For total passive operations and conveniences, the security system alarm receiver module should be programmed for both Automatic Arming and with Automatic Door Locking. This will allow the security system to automatically arm as you exit and to automatically disarm as you approach the vehicle. The vehicle will remain disarmed and unlocked while you are moving near the vehicle. After the passive disarm signal disappears the system will begin auto arming again etc.

With the auto arming and auto locking feature programmed on, the vehicle will re-arm and re-lock the doors 45 seconds after the last passive disarm signal was received.

When you manually depress the Lock/Arm button on the passive transmitter, after exiting the vehicle, the alarm receiver module will not respond to a passive disarm signal for 60 seconds. This avoids unwanted disarm/unlocking as you walk away from the vehicle.

Warning- The security system will not re-arm or re-lock the doors unless the auto arming and auto re-locking features are programmed "On". If you do not want passive arming/locking features programmed On, we suggest you always keep the passive slide switch turned off.

The security system is now disarmed!

## Valet/Override Switch Operation

The valet switch is used to override the security system in the event that the transmitters are lost or fail to operate and to put the security system in non-operational mode (valet) for vehicle servicing etc.

### Override Operation: (Security System is Armed)

1. Enter the vehicle (The security system will begin sounding at this point)
2. Place the ignition key into the ignition switch and turn the ignition switch to the "on" position.
3. Within 5 seconds of turning the ignition key "on", place the valet switch to the "on" position.
4. The horn/siren will stop sounding.
5. The LED indicator will be solid red.

The security system is overridden and is now in the valet mode!

Note 1: If the valet switch is already in the "on" position when you turn "on" the ignition key, the override function will be bypassed. Turn "off" the ignition key, place the valet switch in the "off" position and try again.

Note 2: If you fail to place the valet switch to the "on" position within 5 seconds of turning "on" the ignition key, the override function will be locked out. Place the valet switch in the "off" position, turn "off" the ignition key and try again.

## Valet/Override Switch Operation (Continued)

Valet Operation: (The security system is already disarmed)

1. Turn the ignition key to the "on" position
2. Place the valet switch to the "on" position.
- 3a. The LED will be on solid indicating that the security system is in the valet mode.  
(Ignition key "On")
- 3b. The LED will flash once every 5 seconds indicating the security system in in valet mode.  
(Ignition key "Off")

How to Get Back to Security System Activation Mode:

1. Place the ignition key switch to the "on" position.
2. Place the valet switch to the "off" position.
3. Place the ignition key switch back to the "off" position. You will notice that the LED indicator will be off. This indicates that you have exited the valet mode and your security system will operate normally.

## User Discretion Silent Arming

Your Marksman security system can be instructed to become armed or disarmed without the horn/siren chirps by the remote transmitter. To operate this feature at any time, simply press and release the aux button (3) then press the LOCK or UNLOCK button to arm or disarm your security system without the chirp indications.

## 60 Second Re-Arming

If your Marksman security system has become triggered, the horn/siren will sound for 60 seconds and then stop and re-set to a fully armed condition.

Note: If a protected entrance is left open, your Marksman security system will remain triggered for two more 60 second cycles then fully re-arm excluding the door input trigger. (Door input trigger is no longer functional) Closing the entrance will re-set the door input trigger within 7 seconds.

## Remote Panic

Press and hold the PANIC button (4) for more than 3 seconds and the security system will respond in the following manner:

- A. The horn/siren will begin sounding.
- B. The parking lights will begin flashing.

To turn off the panic alarm, press and release the UNLOCK button on the transmitter. The horn/siren will stop sounding and the parking lights will stop flashing.

Note: If you do not turn off the panic feature with the transmitter, the panic alarm will sound for 60 seconds and then turn off by itself.

## Secondary RF Protection Mode

Every time you disarm your Marksman security system with your transmitter, the security system will start an RF protection mode countdown. This is a timed secondary protection mode to insure that the radio signal used to disarm the security system was from your transmitter. After the system is disarmed by radio signal, it will count down for 60 seconds and then become re-armed if no one enters the vehicle.

Note: The feature is only active when the security system has been programmed to automatically arm.

## Alarm Mode Indicators

1. The LED indicator will provide information on 9 modes of security system operation:

LED is off = Alarm is disarmed.

LED is flashing = Alarm is armed.

LED is flashing in a 1 flash hold sequence = Tamper warning, alarm was triggered by the current sensing sensor.

LED flashing in a 2 flash hold sequence = Tamper warning, alarm was triggered by the hood or trunk.

LED flashing in a 3 flash hold sequence = Tamper warning, alarm was triggered by an opened door.

LED flashing in a 4 flash hold sequence = Tamper warning, alarm was triggered by an electronic sensor.

LED is on steady = Alarm is in the valet mode. (Ignition key is "on")

LED flashes once every 5 seconds = Alarm is in the valet mode. (Ignition key is off")

LED is flashing fast = Automatic arming timer is counting down or RF tamper rearming timer is counting down.

2. The horn/siren will provide information on four modes of security system operation.

One horn/siren chirp = Security system is armed.

Two horn/siren chirps = Security system is disarmed.

Four horn/siren chirps = Tamper warning + security system is disarmed.

## Upgrade Options:

### Option #1: Remote Power Door Lock/Unlock Control

Note: Your vehicle must have an electronic door locking system for this feature to operate.

Installing option #1 will allow the remote transmitter supplied with your Marksman security system to lock and unlock your vehicle's doors as it arms and disarms your security system.

### Option #2: Remote Trunk/Hatch Release (Channel #2)

Installing option #2 will allow the remote transmitter supplied with your security system to open your vehicles trunk or rear hatch. Pressing the "AUX " button on the transmitter for 2 seconds will open the existing power trunk/hatch release mechanism.

Note: Vehicles that are not factory equipped with an electronic trunk release system will require additional parts than a vehicle with a factory installed trunk release system.

### Option #3: Dome Light Illumination (M5 Model Only)

Installing option #3 will allow your Marksman security system to turn on your vehicles interior illumination system at the time the security system is disarmed by the remote transmitter. The interior lighting will remain on for 30 seconds after the security system is disarmed. Turning on the ignition key will turn off the interior illumination before 30 seconds.

### Option #4: Single Zone Shock Sensor

Installing option #4 will increase the level of security provided by your Marksman security system. If the shock sensor becomes activated the security system will immediately trigger your security system by sounding the horn/siren and flashing the parking lights.

### Option #5: Starter Disable Relay

Adding option #5 will increase the level of protection that your Marksman security system can offer. When the starter disable relay is installed, the vehicles engine will not crank when the alarm system is in the armed mode.

### Option #6: Unlock Driver's Door First (Requires option #1 to be installed. Applies to M5 model only)

Installing option #6 will allow your Marksman security system to unlock only the drivers door upon disarming the security system. To unlock the remaining doors, press the UNLOCK button once again within 3 seconds of disarming the security system. The remaining doors will become unlocked.

### Option #7: Dual Zone Shock Sensor

Installing option #7 will increase the level of security provided by your Marksman security system. Zone #1 of the dual zone shock sensor will detect lighter non-threatening disturbances that would normally set off most sensors and trigger the security system. If zone #1 is activated the security system will emit a single chirp from the horn/siren. This single chirp is a pre-warning if a would be thief is attempting to enter your vehicle. Zone #2 detects heavier impacts that are considered threatening and immediately triggers your security system by sounding the horn/siren and flashing the parking lights.

## Upgrade Options: (Continued)

### Option #8: 5-Button Transmitter

The optional 5-button transmitter provides complete control of operating (2) different vehicles equipped with Marksman M4 or M5 security systems using the dedicated button mode. This is an optional transmitter only and is not included with any alarm model. The operation is the same as the normal non-passive transmitter except it has a momentary side switch for second vehicle operation

1. For primary vehicle operation, simply depress the desired transmitter button as usual.
2. For second vehicle operation, depress the side button first, then within 5 seconds, depress the desired transmitter button.

## Programmable Features

The following is a brief description of the operation of each programmable feature. Any adjustment to the operation of these features must be performed by the dealer who installed your Marksman Security System. These features are not user adjustable.

### Ignition Key Controlled Door Lock/Unlock: (Remote door lock/unlock option must be installed)

With this feature activated, the door lock system of the vehicle will become locked 3 seconds after the ignition key is turned to the on position (All doors). When the ignition key is turned to the off position, the door locks will immediately become unlocked.

Note: This feature has 3 modes in which it can operate. Mode #1 operates as explained above and is the most common operation. Model #2 locks the doors when the ignition key is turned on but does not unlock the doors when the ignition key is turned off. In mode #3 the ignition key locking feature is off.

### Chirp Status Indicator Delete: (Permanent Chirp Delete)

De-activating the chirp indication system will eliminate the arm and disarm chirp indicators. For your safety, the tamper warning chirp indicator will always be active.

### Automatic Arming of Security System:

When the automatic arming of security system feature is programmed on, the security system will automatically become armed 30 seconds after the last protected entrance is closed without requiring a signal from the remote transmitter. (Ignition switch must be off)

### Automatic Door Locking: (Remote door lock/unlock option must be installed)

If it is desired to have the vehicle's power door locking system become locked at the same time the security system becomes armed by the automatic arming of security system feature, the automatic door locking programming should be on.

### Safety Illumination:

Programming on the Safety Illumination System will provide the vehicle user with a lighted pathway to and from the vehicle when the security system is armed and disarmed. When programmed on, the parking lights and the dome light will remain on for 12 seconds after the security system is armed providing a lighted pathway while leaving the vehicle. In addition, the parking lights and dome light will remain on for 30 seconds after the security system is disarmed immediately drawing attention to your vehicle while providing a fully lighted vehicle interior and exterior.



## Programmable Features: (Continued)

### Automatic Carjacking Alarm:

Programming on the automatic carjacking feature allow the alarm system to protect the driver of the vehicle when the vehicle is in use. If an attempt is made to HIJACK the vehicle, the enclosed sequence of events will take place. It is strongly advised that you perform the enclosed test to keep yourself familiar with the operation of this system as well as insuring that the system is operating properly.

1. Enter the vehicle and close all the entrances. (If the vehicle has domelight delay, wait for the domelight to go out before beginning the test)
2. Set the ignition key to the on position. Wait 5 seconds and open the driver's door then close it.
3. Within 50 seconds the horn/siren will begin to beep (Short Pulses). This is pre-warning that the carjacking alarm will become fully triggered within 10 seconds.

Note: At this point, the carjacking alarm can be disabled by setting the valet switch to the on position.

4. Within 10 seconds, the carjacking alarm will be fully triggered. The horn/siren will sound normally, the parking lights will begin flashing and the starter disable will be engaged.
5. Turn the ignition key off, then back on
6. Set the valet switch to the on position and the siren/horn will stop sounding and the parking lights will stop flashing.

WARNING! When the carjacking alarm is programmed on, every time the ignition key is on and a door gets opened, the 50 second timer will begin counting. If a door is open (domelight is on) before the ignition key is turned on, the 50 second timer will not start counting until the door is closed and re-opened.

## Maintenance

### System Maintenance:

The only maintenance that your Marksman security system requires is a periodic check of it's operation to be sure that all functions are operating properly. The batteries supplied with your transmitter will usually last about 1 year. Heavier usage will shorten battery life. Reduced transmitter range is usually a sign that the battery in the transmitter is becoming weak and should be replaced.

### Battery Replacement:

Replacement batteries for your transmitter are available in most drug stores and camera shops. To replace the battery, remove the small Phillips screw from the transmitter case and pull apart the top and bottom case halves. Remove the battery from it's holder. Insert the new battery in place of the old one observing the batteries +/- polarity. Gently snap the top and bottom case halves together (DO NOT force them together) and replace the Phillips screw (DO NOT over tighten the screw)

### Replacement Transmitters:

In the event that the transmitter supplied with your Marksman security system becomes damaged or lost, return to the installation facility that installed your security system to purchase a new one.

## Limited Lifetime Warranty

Magnadyne Corporation or its authorized agents will, for the life of the vehicle and to the original purchaser, repair, replace or refund the retail sales price of said product or any part thereof, at the option of the Magnadyne Corporation or its authorized agents, if said product or part is found defective in materials or workmanship, when properly connected and operating on the correct power requirements designated for the specific product. This warranty and Magnadyne Corporation or its authorized agents obligations, hereunder do not apply where the product was: damaged while in the possession of the consumer, subjected to unreasonable or unintended use, not reasonably maintained, utilized in commercial or industrial operation, or serviced by anyone other than Magnadyne Corporation or its authorized agent, or where the warning seal on the product is broken or the power plugs or wires are detached from the unit. Magnadyne Corporation or any of its authorized agents do not assume any labor costs for the removal and reinstallation of any product found to be defective, or the cost of transportation to Magnadyne Corporation or its authorized agents. Such costs are the sole responsibility of the purchaser.

This warranty does not cover the cabinet, appearance items, normal wear and tear or accessories used in connection with the product resulting from improper installation, alteration, accident, misuse, abuse or acts of nature.

This Limited Life Time Warranty applies only to the receiver section of the security system. Neither the siren, transmitters, wire harness or any accessory item added to or used with a Remote Mobile security system are covered by this Limited Life Time Warranty. Sirens, transmitters, wire harness or any accessory item are covered by our standard 12 month limited warranty.

Magnadyne Corporation or its authorized agents shall not be liable to anyone for consequential or incidental damages or claims that may arise due to failure of product to operate properly except those accorded by law. Magnadyne's or its authorized agents liability to the repair, replacement of the product as stated above if all conditions of the warranty are met. No expressed warranty or implied warranty is given except those set forth herein. Magnadyne does not warrant or guarantee against break in damage or the theft of the vehicle in part or whole, or against the loss or damage to the contents of any vehicle in which a security system is installed. Magnadyne security systems are only a deterrent against possible theft.

This warranty extends only to the original purchaser of the product and for the vehicle in which it was originally installed. This warranty is not transferable or assignable to any person or vehicle. Defective merchandise should be returned to the original point of purchase or secondly to Magnadyne Corporation, 1111 W. Victoria Street, Compton, CA 90220. A return authorization must be obtained before sending, or merchandise may be refused.

## Replacement Parts and Accessories for Remote Mobile Security Systems

ORDER BY MAIL	DESCRIPTION	MODEL #	\$ PRICE
	Replacement Battery: For all Remote Mobile Security System 4 & 5 Button Transmitters (1 battery needed)	ALA-BATT/P	\$4.95 ea.
	Replacement Battery: For M5RF-2 Only (2-Required)	CR2032	4.95 ea.
	4-Button Transmitter for M4, M5 Security Systems.	M4RF-1	39.95 ea.
	4-Button Transmitter with SAW Technology for: M4, M5 Security Systems.	M4RF-2	44.95 ea.
	4-Button Transmitter with SAW Technology for passive disarming for: M4, M5 Security Systems.	M4RF-2P	49.95 ea.
	5-Button Transmitter with SAW Technology and 2 Vehicle Operation for: M4, M5 Security Systems.	M5RF-2	54.95 ea.
	6-Tone, 118dB Siren: For use with all Remote Mobile Security Systems.	ALA115	34.95 ea.
	6-Tone, 130dB Siren: For use with all Remote Mobile Security Systems.	ALA125	39.95 ea.

## Parts and Accessories Order Form

Send Check or Money Order Only (No Cash) To:

Magnadyne Corporation  
ATTN: Consumer Parts Sales  
P.O. Box 5365  
Carson, CA 90749-5365

SHIP TO: (No P.O. Boxes)

LAST NAME	FIRST NAME	INITIAL
STREET ADDRESS		
ADDITIONAL ADDRESS		
ADDITIONAL ADDRESS		
CITY	STATE	ZIP CODE
DAY TIME PHONE NUMBER		

PART #	DESCRIPTION	QTY.	PRICE EACH	TOTAL

<b>Shipping and Handling</b>		Sales Subtotal = _____ . _____
Subtotal + Tax	Add	California Residents Add Sales Tax = _____ . _____
Up to \$20.00	\$5.00	Shipping and Handling (See Chart) = _____ . _____
20.01 to 30.00	5.95	TOTAL = _____ . _____
30.01 to 45.00	6.50	
45.01 to 70.00	6.95	
Over 70.01	7.95	

No C.O.D.'s  
On regular orders please allow 4-5 weeks for delivery.  
Please give a shipping address where this order may be delivered between the hours of 9 am and 5 pm weekdays.  
If UPS is unable to deliver, your order will be returned and additional shipping charges will be required.

## Free Manuals Download Website

<http://myh66.com>

<http://usermanuals.us>

<http://www.somanuals.com>

<http://www.4manuals.cc>

<http://www.manual-lib.com>

<http://www.404manual.com>

<http://www.luxmanual.com>

<http://aubethermostatmanual.com>

Golf course search by state

<http://golfingnear.com>

Email search by domain

<http://emailbydomain.com>

Auto manuals search

<http://auto.somanuals.com>

TV manuals search

<http://tv.somanuals.com>