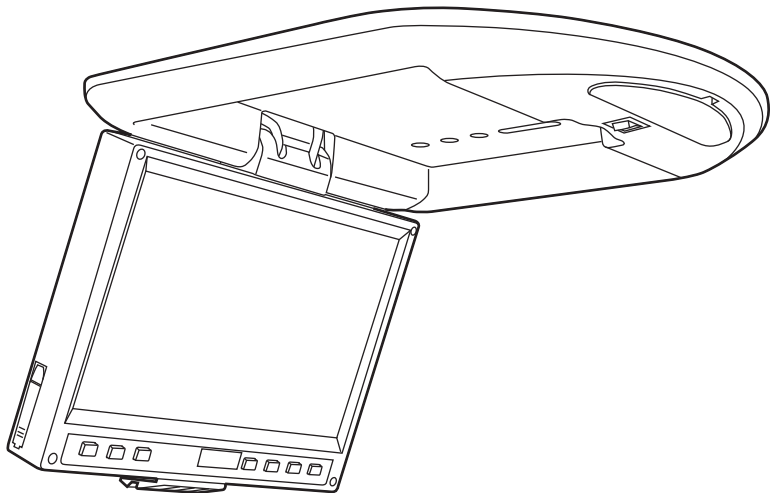




Owner's Manual

Mobile DVD/CD Player

with 10.2" TFT Monitor



Model: MV1020 / MV1020C

For operational or technical assistance, after reading this manual,
please call us toll free at (800) 638-3600 or visit www.magnadyne.com

Contents

Safety Information	2-3	Basic Operation and Special Functions . .	9-11
Disc and SD Card Notes	4	Turn the Unit On	9
Screen and DVD/CD Functions	5-7	Loading a DVD/CD Disc	9
Location of Functions	5	Ejecting a Disc	9
Turning the Unit On	6	Play Function	9-10
Adjusting the Monitor	6	DVD Special Functions	10-11
Inserting a DVD/CD	6	CD Special Functions	11
Inserting a SD Card	6	MP3 Function	11
Changing to an Auxiliary Input Source	6	Setup Menu	11-14
Wireless Transmitter Module	7	Installation	15
Selecting the Wireless Transmitter Frequency	7	Wiring Diagram	16-17
Infrared Remote Control Sensor	7	Specifications	17
Dome Light	7	Troubleshooting	18
Remote Control	8-9	Replacement Parts	19-20
Remote Control Functions	8-9	Warranty	20

Safety Information

CAUTION:

THIS MOBILE DVD PLAYER IS A CLASS I LASER PRODUCT. HOWEVER, THIS MOBILE DVD PLAYER USES A VISIBLE/INVISIBLE LASER BEAM WHICH COULD CAUSE HAZARDOUS RADIATION EXPOSURE IF DIRECTED. BE SURE TO OPERATE THE MOBILE DVD PLAYER CORRECTLY AS INSTRUCTED. USE OF CONTROLS OR ADJUSTMENTS OR PERFORMANCE OF PROCEDURES OTHER THAN THOSE SPECIFIED HEREIN MAY RESULT IN HAZARDOUS RADIATION EXPOSURE. DO NOT OPEN COVERS AND DO NOT REPAIR YOURSELF. REFER SERVICING TO QUALIFIED PERSONNEL.

CAUTION:

FCC REGULATIONS STATE THAT ANY UNAUTHORIZED CHANGES OR MODIFICATIONS TO THIS EQUIPMENT MAY VOID THE USER'S AUTHORITY TO OPERATE IT.

WARNING:

- TO REDUCE THE RISK OF FIRE OR ELECTRIC SHOCK, DO NOT EXPOSE THIS EQUIPMENT TO RAIN OR MOISTURE.
- THIS DEVICE IS INTENDED FOR CONTINUOUS OPERATION.
- TO REDUCE THE RISK OF FIRE OR ELECTRIC SHOCK AND ANNOYING INTERFERENCE, USE ONLY THE RECOMMENDED ACCESSORIES.

This product incorporates copyright protection technology that is protected by method claims of certain U.S. patents and other intellectual property rights owned by Magnadyne Corporation and other rights owners. Use of this copyright protection technology must be authorized by Magnadyne Corporation and is intended for home and other limited viewing uses only unless otherwise authorized by Magnadyne Corporation. Reverse engineering or disassembly is prohibited.

Region Management Information:

This Mobile DVD Player is designed and manufactured to respond to the Region Management Information that is recorded on a DVD disc. If the Region number described on the DVD disc does not correspond to the Region number of this Mobile DVD Player, this Mobile DVD Player cannot play this disc.

Use this Product Safely

Driving

Be aware of road and traffic conditions. Keep the volume at a low level.

Moisture

Do not expose the product to water or excessive moisture. This could cause electrical shorts, fire or other damage.

Parking

Parking in direct sunlight can produce very high temperatures inside your vehicle. Give the car interior a chance to cool down before starting disc playback.

Proper Power Supply

This product is designed to operate with a 12 Volt DC, negative ground battery system.

Protecting the Disc Mechanism

Avoid inserting any foreign objects into the disc slot of this player. Failure to observe this precaution may cause malfunction of this unit.

Repairs

Do not attempt to disassemble or repair this product yourself. Contact our customer service representatives.

Installation

The unit should be installed in a horizontal position (see pages 15-17).

Cleaning

Use a soft dry cloth to clean the screen. The cloth can be dampened with purified water, but do not use any cleaners or chemicals.

Warning

Be careful not to drop or apply undue pressure to the front panel of monitor. If the screen cracks due to misuse, the warranty will be voided!

Features

- This unit can play compatible discs recorded in either PAL or NTSC format.
- CD, DVD, CD-R, CD-RW and MP3 Compatible.
- SD Card Support.
- Full-Function Wireless Remote Controller.
- Multi-Language On-Screen Display Menu.
- Built-In Dome Light System.
- Front Panel Controls.
- Wireless IR Transmitter Module so audio can be heard through IR headphones.
- Wireless FM Stereo Transmitter Module so audio can be heard through the vehicle's radio.
- L/R stereo analog audio outputs for connection to existing head unit auxiliary inputs. Output is composite video.

Disc and SD Card Notes

Disc Formats Supported by this Player:



DVD 12 cm disc
(Single-sided disc only)



CD 12 cm disc
8 cm disc

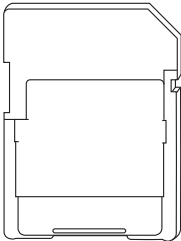
MP3 12 cm disc
8 cm disc

Discs which cannot be played with this player:

- DVD-ROM
- DVD-R/DVD-RAM
- CDV
- CD-G

SD Card File Format Compatibility:

- AVI (Video)
- MP3 (Audio)
- JPEG (Pictures)



Label side up



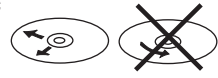
Do not touch
the underside
of the disc



Do not bend



Wipe the disc
from center
toward the
outside edge.



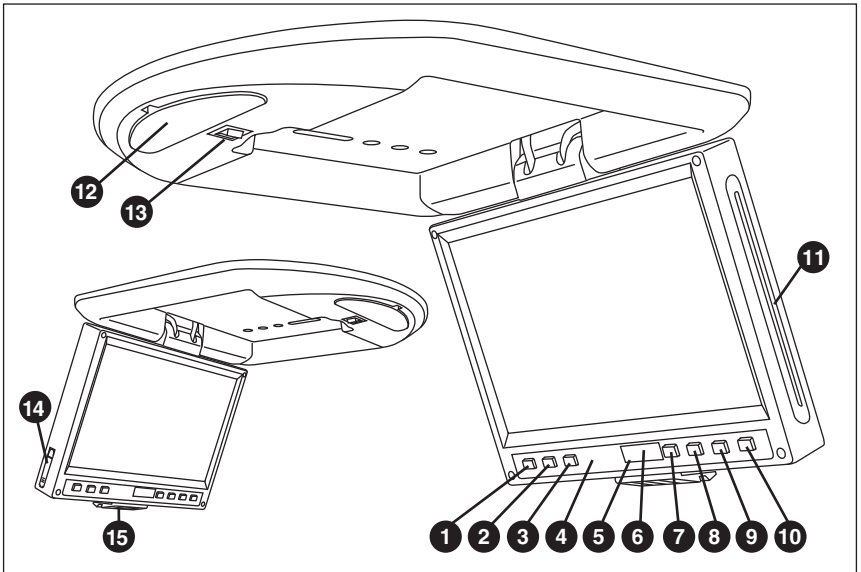
Disc Handling

- Dirt, dust, scratches on disc may cause malfunctions.
- Do not place labels on disc.
- Do not warp discs.
- A disc should always be kept in its case when not in use to prevent damage.
- Do not place discs in the following places:
 1. Direct sunlight.
 2. Dirty, dusty and damp areas.
 3. Near car heaters.
 4. Car seats or dashboard.

Disc Cleaning

Use a dry soft cloth to wipe the surface. If the disc is quite dirty, use a cloth slightly dampened with isopropyl (rubbing) alcohol. Never use solvents such as benzine, thinner or conventional record cleaners as they may mar the surface of the disc.

Screen and DVD/CD Functions



- 1. POWER Button:** Press this button to turn the unit On/Off.
- 2. SOURCE Button:** Press this button to change the play source between DVD/CD player and an auxiliary input source.
- 3. STOP Button:** Stops play of picture or audio.
- 4. Power On LED Indicator**
- 5. Infrared Remote Sensor:** Receives the signals from the remote control.
- 6. Wireless Transmitter Module:** The audio signal is converted to an infrared light or FM frequency and transmitted to the headphones or vehicle's FM stereo receiver.
- 7. PREVIOUS Button:** In DVD/CD mode, pressing this button searches for the beginning of the previous track or chapter.
- 8. NEXT Button:** In DVD/CD mode, pressing this button searches for the beginning of the next track or chapter.
- 9. PLAY/PAUSE Button:** Press this button to play or pause a disc.
- 10. EJECT Button:** Press to eject the disc.
- 11. Disc Slot:** To play a DVD/CD disc, insert into slot with label facing forward.
- 12. Dome Lights**
- 13. Dome Light Switch:** Switch to the ON position to activate the dome lights.
- 14. SD Card Slot:** To play a SD Card, insert into slot with label facing forward.
- 15. Viewing Screen Release:** To release the screen, push the tab then gently pull down the screen. Place the screen to the desired viewing position.

Screen and DVD/CD Functions

Turning the Unit On:

Press the **POWER** on either the remote or the screen housing.

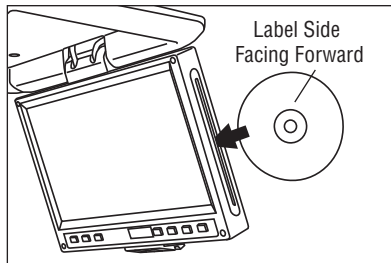
Adjusting the Monitor:

1. Press the **MODE** button on the remote to activate the monitor adjustment menu. The following will be displayed on the screen:



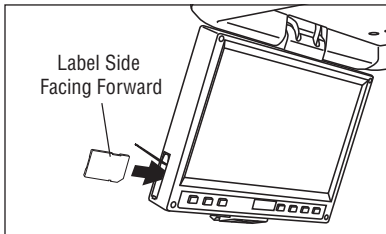
2. Press the **MODE** button again to select the adjustment bar.
3. Use the **UP** and **DOWN** buttons on the remote to adjust the screen's brightness.
4. Press the **MODE** button again then the **DOWN** button to select the next desired monitor adjustment item:
 - Saturation
 - Contrast
 - Hue
 - FM (Wireless Transmitter Frequency)
 - Rotate
 - Source (DVD or AVIN)
 - SD Card
 - Reset (Reset to factory settings)
5. Press the **MODE** button again until the **EXIT** item appears or wait 10 seconds and the menu will automatically disappear.

Inserting a DVD/CD



To play a DVD/CD, insert a disc into slot with label side facing forward.

Inserting a SD Card



To play a SD card, insert a card into slot with label side facing forward.

Selecting the SD Card Format

Once the SD card is inserted push the **SD** button on the remote. The screen will prompt you to select the format for the inserted SD card. Use the **▲** or **▼** button on the remote to select the desired format. Once you have selected the desired format press the **ENTER** button.

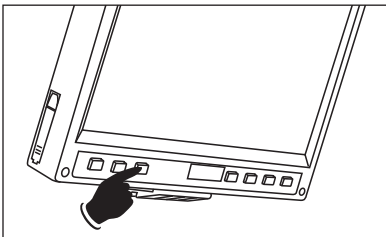
Format Selection

1:Audio/Picture
2:Video File

Note: To go back to this selection screen, press the **STOP** button twice and then press the **TITLE** button.

Note: Large video files will take extra time to Load/Buffer before video playback begins.

Changing to an Auxiliary Input Source



Press the **SOURCE** button to change the play source between DVD/CD player and a Auxiliary Input Source.

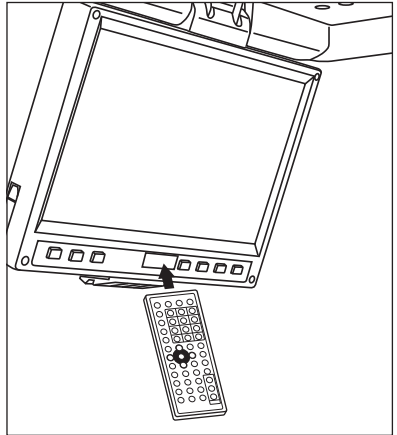
Screen and DVD/CD Functions

Wireless Transmitter Modules:



The audio signal is converted to an infrared light and FM frequency that is transmitted to the IR headphones or the vehicle's FM stereo receiver.

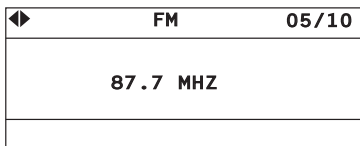
Infrared Remote Control Sensor:



The Infrared remote control sensor receives the signals from the remote control.

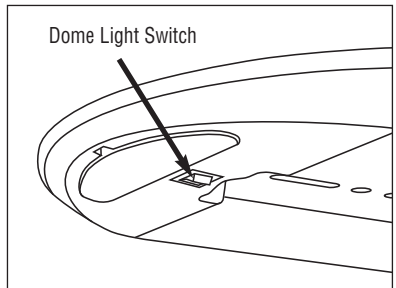
Selecting the Wireless Transmitter Frequency:

1. Press the **MODE** button on the remote to activate the monitor adjustment menu.
2. Use the **UP** and **DOWN** buttons on the remote to select the FM screen.



3. Press the **MODE** button again to select the frequency selection menu.
4. Use the **UP** and **DOWN** buttons on the remote to select the desired frequency to match the frequency on the wireless headphones or FM stereo receiver.
5. Press the **MODE** button again until the **EXIT** item appears or wait 10 seconds and the menu will automatically disappear.

Dome Light:



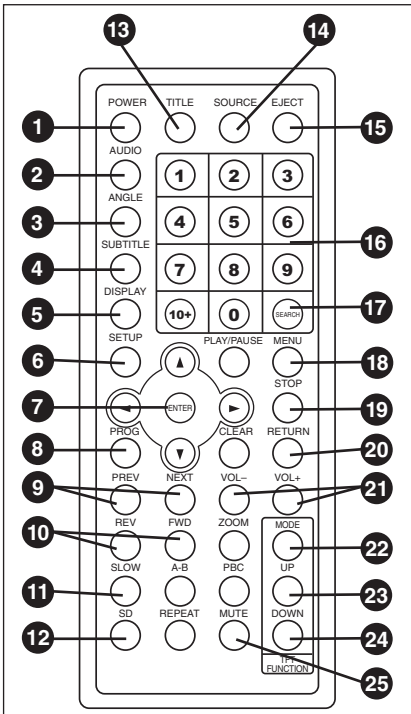
To turn "On" the dome lights, press the dome light switch. Press the dome light switch again to turn them "Off".

Note: The dome lights will automatically illuminate whenever the vehicle doors are open.

Last Play Function:

See page 14.

Remote Control Locations and Operation



10. **REV/FWD:** Scan backward and forward.
11. **SLOW:** Press the button to slow play DVD to 1/2, 1/4, 1/8, 1/16, or 1/32 speed.
12. **SD:** To play a SD card, press this button. The screen will prompt you to select the format for the inserted SD card. Use the ▲ or ▼ buttons on the remote to select the desired format. Then press ENTER button.
13. **TITLE:** Displays the DVD's title.
14. **SOURCE:** Select DVD/CD, TV Tuner or Auxiliary inputs functions.
15. **EJECT:** Ejects the disc.
16. **0 - 10+:** Press these buttons to input numbers.
17. **SEARCH:** Locate title, chapter, time and play.
18. **MENU:** Display DVD's menu screen.
19. **STOP:** Stop play of picture or audio.
20. **RETURN:** Press to return to previous item.
21. **VOL-/VOL+:** Press these buttons to decrease or increase volume level.
22. **MODE:** Activate the monitor adjustment menu.
23. **UP:** Press to adjust the monitor menus.
24. **DOWN:** Press to adjust the monitor menus.
25. **MUTE:** Press during play to stop audio.

1. **POWER:** Turns the unit On/Off.
2. **AUDIO:** Press the button to change audio languages.
3. **ANGLE:** Press the button to change DVD's picture angle.
4. **SUBTITLE:** Press the button to change DVD's subtitle languages.
5. **DISPLAY:** Press the button to display disc information.
6. **SETUP:** Press the button to enter or cancel SETUP MENU.
7. **ENTER:** Press the button to enter a setting.
8. **PROG:** Press the button to program the play order of CD tracks.
9. **PRE/NEXT:** Press these buttons to search for the beginning of track or chapter.

Remote Control Locations and Operation

BASIC OPERATION

Turn the Unit On

1. Turn the car ignition on to the accessory position.
2. Press the **POWER** button.

Loading a Disc

Insert the disc with printed side facing forward into the disc slot. The player will automatically search the disc.

Volume Level Adjustment

Press the **VOL-** or **VOL+** buttons on the remote to increase or decrease volume level.

Muting the Sound Level

Press the **MUTE** button during play to stop audio. Press the **MUTE** button again to restore sound to the previous level.

Ejecting a Disc

Press the **EJECT** button to eject disc.

PLAY FUNCTION

Stopping Play

Press the **STOP** button to stop the disc playback. Press the **PLAY/PAUSE** button on the remote to continue with normal playback at the position it was stopped. When the disc is removed or **STOP** is pressed again, the resume function is cancelled.

Pausing Play

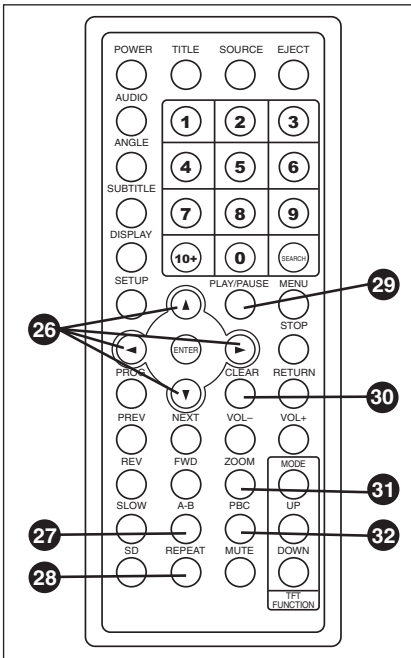
Press the **PLAY/PAUSE** button to pause disc during playback. Press the button again to resume play.

Scan Forward and Backward

Press the **REV** or **FWD** button to scan backward or forward.

Return to Previous Chapter or Track

Press the **PREVIOUS** or **PREV** button during playback and the play returns to the beginning of the previous chapter or track.



26. ◀ ▶ ▲ ▼ Use **CURSOR** buttons when selecting items or to move cursor up, down, left or right.
27. **A-B:** Press the button during play to set point A and point B, then program A and B will be played repeatedly. Press the button again to cancel.
28. **REPEAT:** Press to select Chapter Repeat, Title Repeat or Repeat Cancelled.
29. **PLAY/PAUSE:** Press the button to play or stop temporarily.
30. **CLEAR:** Clear numbers which have been input.
31. **ZOOM:** Press the button during playback of DVD to enlarge an area on the screen.
32. **PBC:** Video disc playback control. DVD's subtitle languages.

Basic Operation and Special Functions

PLAY FUNCTION (Continued)

Advance to Next Chapter or Track

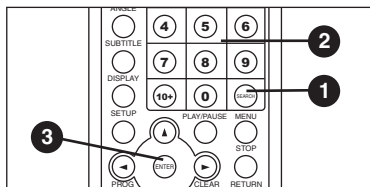
Press the **NEXT** button during playback and the play advances to the beginning of the next chapter or track.

Removing Disc

Press the **STOP** button, then press the **EJECT** button to eject the disc.

Searching for a Specific Chapter or Track

1. Press the **SEARCH** button on the remote.
2. Press numerical key to select track, chapter or time.
3. Press **ENTER** or **PLAY** to play the selection.



Repeat Play

For DVD's, press the **REPEAT** button to repeat title or chapter.

For CD's, press the **REPEAT** button to repeat a track or the entire disc.

For MP3's, press the **REPEAT** button to repeat file, directory or all.

A-B Repeat

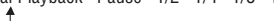
Press the **A-B** button during play to set point A then press again to set point B. The system will repeatedly play the programmed section until the **A-B** button is pressed again which cancels the function.

DVD SPECIAL FUNCTIONS

Slow Play

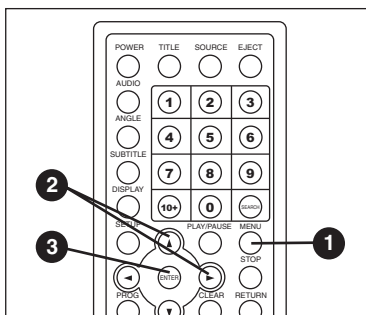
Each time the **SLOW** button is pressed during DVD play the speed is reduced as follows:

Normal Playback ▶ Pause ▶ 1/2 ▶ 1/4 ▶ 1/8 ▶ 1/16 ▶ 1/32



Display DVD Menu Screen

1. Press the **MENU** button to display the DVD menu screen.
2. Use the cursor button to select item.
3. Press **ENTER** or **PLAY** to play the selected.



View Angles of DVD

Press the **ANGLE** button to select the different angles to view.

Note: If the DVD doesn't have multi-angle function, this function isn't applicable.

DVD Zoom

Press the **ZOOM** button during playback of DVD to enlarge an image area on the screen.

Note: In zoom mode, press the **CURSOR** buttons to move image areas up, down, left or right.

Special Functions and Setup Menu

DVD SPECIAL FUNCTIONS (Continued)

Multi-Subtitle Language Function

Press the **SUBTITLE** button during playback. Each time the button is pressed the subtitle language on the screen changes.

Multi-Audio Language Function

Press the **AUDIO** button during playback. Each time the button is pressed the audio sound-track language on the screen changes.

CD SPECIAL FUNCTIONS

Program CD Play

1. While the CD is playing push the **STOP** button twice (2x).
2. Use the **CURSOR** buttons to select the first desired track. Then press **ENTER** button to confirm. For additional tracks repeat Step 2.
3. Press **PLAY** button to start Program Play.

Random CD Play

1. While the CD is playing push the **STOP** button twice (2x).
2. Push the **PROG** buttons twice (2x) to bypass the programming screen.
3. "CD Random" will be displayed, then push **PLAY** button to start Random CD Play.

MP3 FUNCTION

This unit supports MP3 discs. Use the **CURSOR** buttons to move the cursor through the MP3 directory. Then push **ENTER** to play desired file.

Note: While a disc is playing, push the **PREVIOUS (PREV)** or **NEXT** button to play the previous or next file on the disc.

SETUP MENU

1. Press the **SETUP** button on the remote control, and the setup menu will be displayed. Pressing **SETUP** during disc play will pause play. Play will resume when the setup screen is cancelled.
2. Use the **CURSOR** buttons ◀ ▶ ▲ ▼ to select desired function.
3. Press the **ENTER** button to confirm the selection.



Descriptions of the Setup Menu Functions:

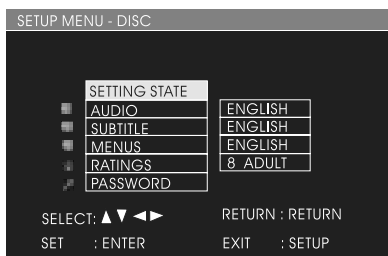
- DISC - Disc Setting
- VIDEO - Video Setting
- AUDIO - Audio Setting
- DISPLAY - OSD Language Setting
- OTHERS - Other Functions Setting

Note:

- If there is no disc in the player while in the "DISC" setting menu, this function is not applicable.
- Press the **RETURN** button to go back to the last setting. For example, if you input the wrong password in the "PARENTAL LOCK" function, press the **RETURN** button to return to the last setting so the password can be input again.

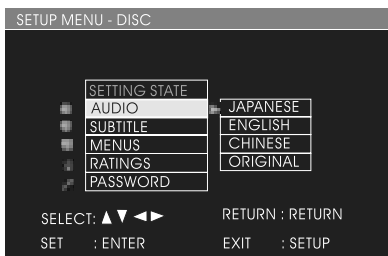
DISC SETTINGS

Use the **CURSOR** buttons ◀ ▶ ▲ ▼ to make **DISC** setting selections. Press the **ENTER** button to confirm the setting.



Audio Setting

Use this screen to setup the audio language on multi-language discs.



Subtitle Language Setting

Use this screen to setup the subtitle language on multi-subtitle language discs.



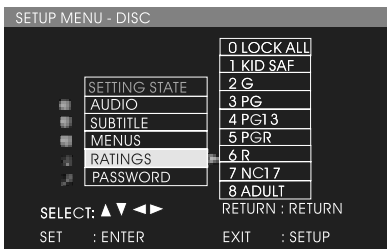
Menu Language Setting

Use this screen to setup the disc menu language.



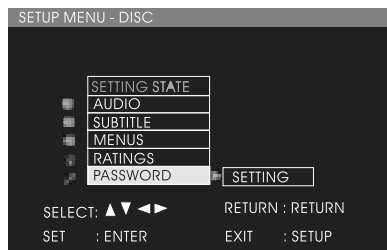
Parental Lock Rating

Use this screen to setup the Parental Lock Rating. This function helps restrict viewing movies with certain ratings (e.g., PG-13, R, etc.) as supported by each DVD.



Parental Lock Password Setting

Use this screen to setup a four-digit parental lock password. On the remote control, use this **NUMERIC** keys to enter the password. Press the **ENTER** button to confirm the password.



Setup Menu

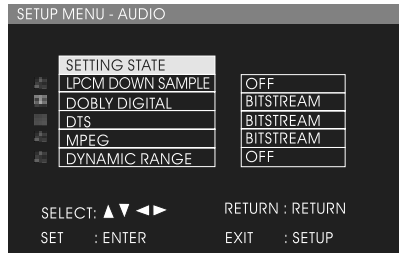
VIDEO SETTINGS

Use the **CURSOR** buttons ◀ ▶ ▲ ▼ to make **VIDEO** setting selections. Press the **ENTER** button to confirm the setting.



AUDIO SETTINGS

Use the **CURSOR** buttons ◀ ▶ ▲ ▼ to make **AUDIO** setting selections. Press the **ENTER** button to confirm the setting.



TV Aspect Setting

Use this screen to setup the desired TV Aspect Ratio.



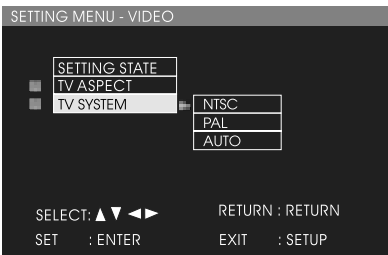
DISPLAY SETTINGS

Use the **CURSOR** buttons ◀ ▶ ▲ ▼ to make **OSD Language** setting selections. Press the **ENTER** button to confirm the setting.



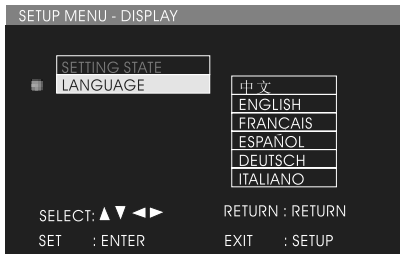
TV System Setting

Use this screen to select the TV system. Choose between three modes: NTSC, PAL and Auto.



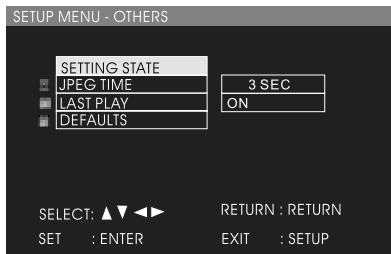
OSD Language Setting

Use this screen to setup the desired OSD Language.



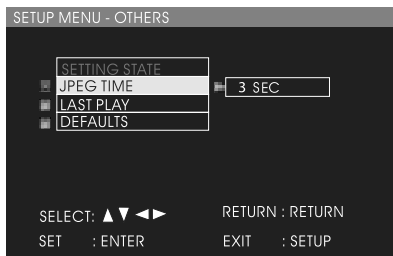
OTHER FUNCTION SETTINGS

Use the **CURSOR** buttons ◀ ▶ ▲ ▼ to make **OTHERS** setting selections. Press the **ENTER** button to confirm the setting.



JPEG Time Setting

Use this screen to setup the JPEG image display time from 1 to 180 seconds.



Default Settings

Use this screen to reset all menus to the factory default setting.

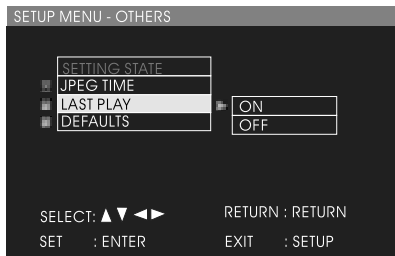


Last Play Function

The Last Play function automatically bookmarks the position on a DVD/CD disc and remembers the playback settings. Playback will resume at the position which the player was turned off, the disc was ejected, or the power was cut off.

Turning Off Last Play Function

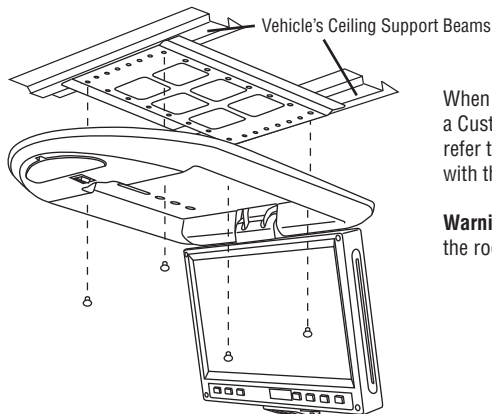
Press the **SETUP** button to display the main menu. Then use the **CURSOR** buttons to select the **OTHERS** menu, then **LAST PLAY** and **ON**. Press the **ENTER** button to confirm the setting.



Installation

The MV1020 can be mounted using either a Custom Bracket System or a Custom Shroud/ Bracket System (purchased separately). Visit www.magnadyne.com to find a custom mounting system for your vehicle.

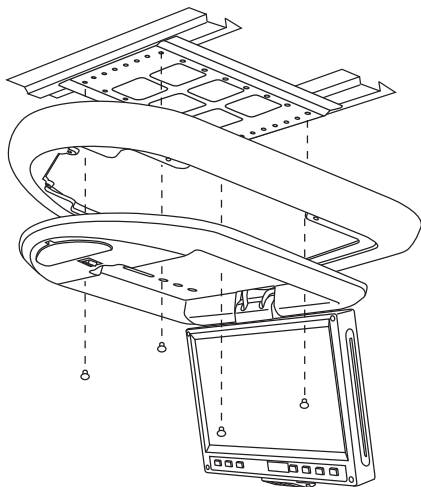
Custom Bracket Mounting System (Optional)



When installing the MV1020 using a Custom Bracket Mounting System refer to the instructions included with the bracket.

Warning: Take extra care not to penetrate the roof of your vehicle during installation.

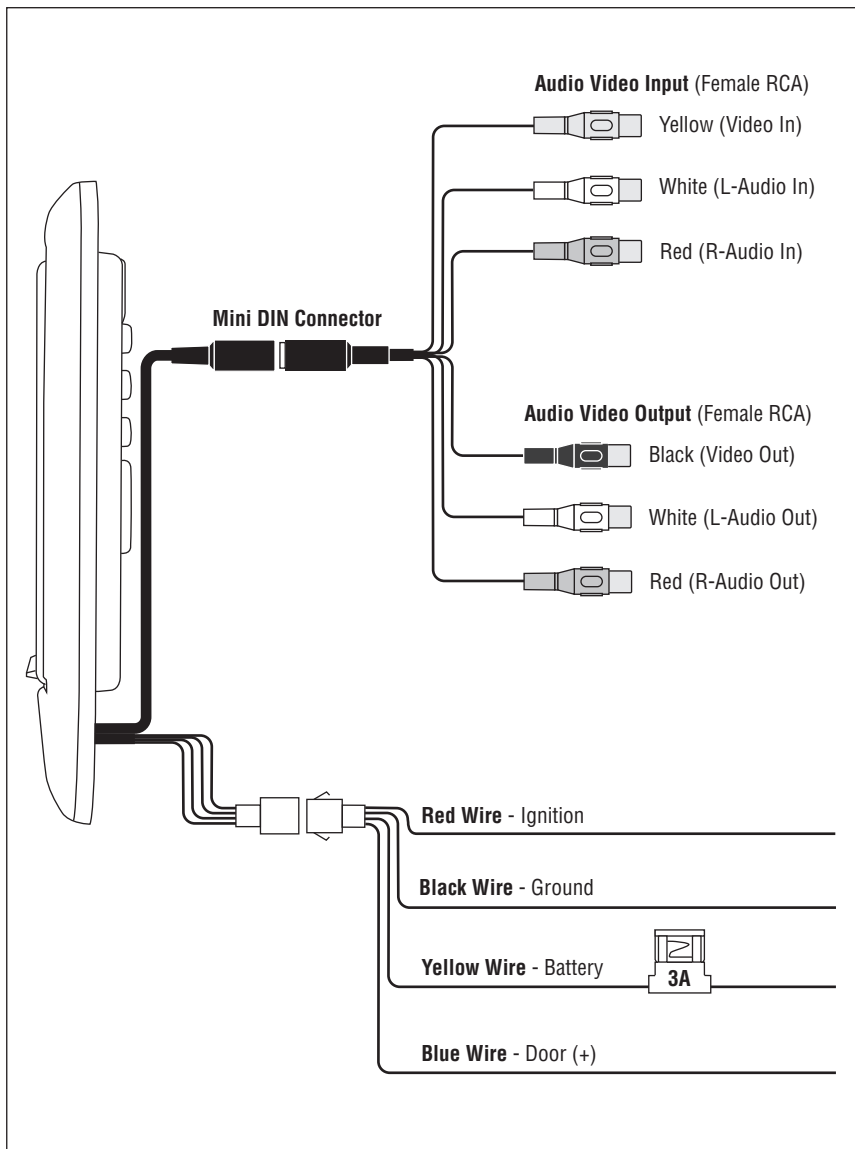
Custom Shroud/Bracket Mounting System (Optional)



When installing the MV1020 using a Custom Shroud/Bracket Mounting System refer to the instructions included with the shroud/bracket.

Warning: Take extra care not to penetrate the roof of your vehicle during installation.

Wiring Diagram



Wiring Instructions

Power Harness Wiring:

The 4-wire harness provides battery and ignition 12 volts as well as a chassis ground. Route the power harness to the point in the vehicle that you will make the connections.

Red Wire: The red wire in the harness should be connected to a +12 volt power wire that is turned on and off by the position of the ignition key.

Yellow Wire: The yellow wire in the harness should be connected to a constant +12 volt wire that is NOT turned on and off by the position of the ignition key.

Black Wire: The black wire in the harness should be connected to the chassis of the vehicle using a ring terminal and self tapping screw or bolt and nut.

Blue Wire: Connect to the common trigger wire coming from all door pin switches (+).

Specifications

Supply Voltage:	12V DC, Negative Ground
Current Consumption:	24 Watts Maximum
Fluorescent Dome Light:	3 Watts
Screen Format:	16:9
Resolution:	800 x 600 Pixels
A/V Input:	1
A/V Output:	1
IR Transmitter:	Yes
FM Transmitter:	Yes
Dimensions (mm):	310 (w) x 310 (d) x 48 (h)

Troubleshooting

Only qualified service personnel can remove the cover or service this player. Otherwise the warranty will become invalid.

No Power:

- Check to see if the player is set to "On".
- Check to see that the power plug of the main unit is properly connected.
- Check to see if that power to the outlet is properly working.

No Picture:

- Check to see that the monitor is switched to "On".
- Check that the correct SOURCE is selected (DVD or AV) by pushing the SOURCE button.
- Check the video connection.

Distorted Picture:

- Check the disc for fingerprints and clean with soft dry cloth, wiping from center to edge.
- A small amount of picture distortion may appear. This may not be a malfunction.

Completely Distorted Picture:

The disc format is not according to the monitor used (PAL/NTSC).

No Color in Picture:

The disc format is not according to the monitor used (PAL/NTSC).

No Sound:

- Check audio connections.
- If using a Hi-Fi amplifier, try another sound source.

Disc Does Not Play:

- Ensure the disc label is facing forward.
- Clean the disc.
- Check to see if the disc is defective by trying another disc.

The Player Does Not Respond to the Remote Control:

- Aim the remote control directly at the sensor on the front of the housing.
- Avoid all obstacles which may interfere with the signal path.
- Inspect or replace the remote control batteries.

Buttons Do Not Work:

- Press **POWER** to turn "Off" the unit, then press it again to turn "On" the unit.

Volume different for DVD and CD:

- This is due to different recording methods

Replacement Parts Order Form

Send Orders To: Magnadyne Corporation
 ATTN: Consumer Parts Sales
 P.O. Box 5365
 Carson, CA 90749-5365

We Accept Checks, Money Orders, Visa and Master Card
Make Checks Payable to: Magnadyne Corporation

SHIP TO: (No P.O. Boxes)

LAST NAME

FIRST NAME

INITIAL

STREET ADDRESS (IF PAYING WITH A CREDIT CARD, YOUR BILLING ADDRESS IS REQUIRED)

CITY

STATE

ZIP CODE

DAYTIME PHONE NUMBER

CREDIT CARD INFORMATION:

CARD TYPE: VISA MASTER CARD

CARD NUMBER

EXP. MONTH

YEAR

NAME - EXACTLY AS IT APPEARS ON YOUR CREDIT CARD

Part #	Description	Qty.	Price Each	TOTAL
MV1020RM	Remote Control		\$39.95	

Shipping and Handling

Subtotal + Tax	Add
Up to \$20.00	\$5.00
20.01 to 30.00	5.95
30.01 to 45.00	6.50
45.01 to 70.00	6.95
Over 70.01	7.95

Subtotal = _____ . _____

California Residents Add Sales Tax = _____ . _____

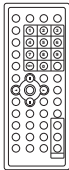
Shipping and Handling (See Chart) = _____ . _____

TOTAL = _____ . _____

No C.O.D.'s

On regular orders please allow 4-5 weeks for delivery. Please give a shipping address where this order may be delivered between the hours of 9 a.m. and 5 p.m. weekdays. If UPS is unable to deliver, your order will be returned and additional shipping charges will be required.

Order By Mail
Replacement Parts for MovieVision® Systems

DESCRIPTION	MODEL #	PRICE
	DVD Remote Control	MV-1020RM
		\$39.95 Ea.

Warranty

ONE (1) YEAR LIMITED WARRANTY

Magnadyne Corporation or its authorized agents will within 1 year from the date of sale to you, repair, replace or refund the retail sales price of said product or any part thereof, at the option of the Magnadyne Corporation or its authorized agents, if said product or part is found defective in materials or workmanship, when properly connected and operating on the correct power requirements designated for the specific product. This warranty and Magnadyne Corporation or its authorized agents obligations hereunder do not apply where the product was; damaged while in the possession of the consumer, subjected to unreasonable or unintended use, not reasonably maintained, utilized in commercial or industrial operations, or serviced by anyone other than Magnadyne Corporation or its authorized agents, or where the warning seal on the product is broken or the power and/or plugs are detached from the unit. Magnadyne Corporation or any of its authorized agents will not assume any labor costs for the removal and re-installation of any product found to be defective, or the cost of transportation to Magnadyne Corporation or its authorized agents. Such cost are the sole responsibility of the purchaser.

This warranty does not cover the cabinet appearance items or accessories used in connection with this product, or any damage to recording or recording tape, or any damage to the products resulting from improper installation, alteration, accident, misuse, abuse or acts of nature.

MAGNADYNE CORPORATION OR ITS AUTHORIZED AGENTS SHALL NOT BE LIABLE TO ANYONE FOR CONSEQUENTIAL OR INCIDENTAL DAMAGES OR CLAIMS EXCEPT THOSE ACCORDED BY LAW. NO EXPRESSED WARRANTY OR IMPLIED WARRANTY IS GIVEN EXCEPT THOSE SET FORTH HEREIN. NO IMPLIED WARRANTY SHALL EXTEND BEYOND 1 YEAR FROM THE DATE OF SALE.

This warranty extends only to the original purchaser of the product and is not transferable.

Some states do not allow limitations on how long an implied warranty lasts and some states do not allow the exclusion or limitation of incidental or consequential damages, so the above limitations or exclusion may not apply to you. This warranty gives you specific legal rights and you may have other rights that vary from state to state.

Defective merchandise should be returned to the original point of purchase or secondly, to Magnadyne Corporation, 1111 W. Victoria Street, Compton CA 90220. Return Authorization must be obtained before sending, or merchandise may be refused.

Free Manuals Download Website

<http://myh66.com>

<http://usermanuals.us>

<http://www.somanuals.com>

<http://www.4manuals.cc>

<http://www.manual-lib.com>

<http://www.404manual.com>

<http://www.luxmanual.com>

<http://aubethermostatmanual.com>

Golf course search by state

<http://golfingnear.com>

Email search by domain

<http://emailbydomain.com>

Auto manuals search

<http://auto.somanuals.com>

TV manuals search

<http://tv.somanuals.com>