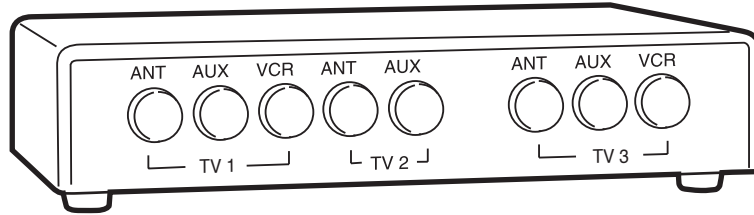


Installation Instructions

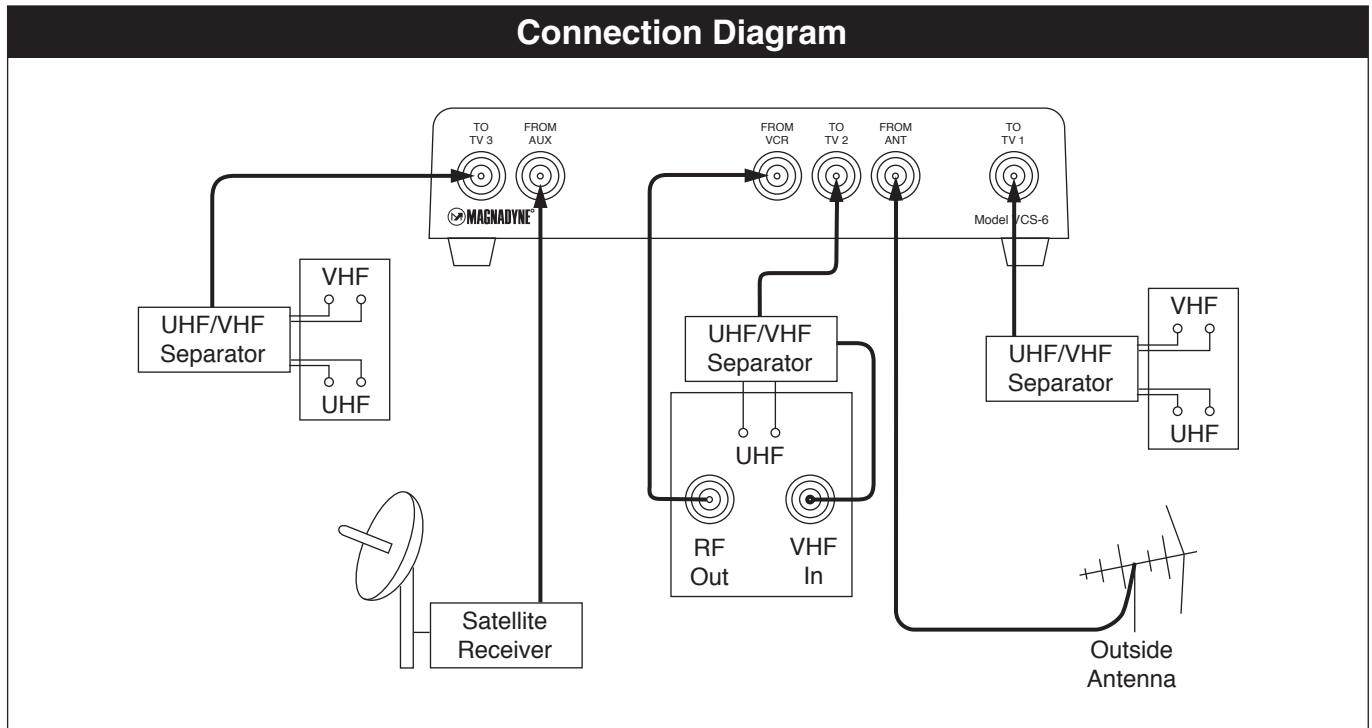
Video Switching Center



Features:

- Push-button type select the program by just “one push”.
- Deluxe plastic cabinet.
- Accepts 3 inputs:
 1. TV Antenna
 2. VCR
 3. Auxiliary Input
- Provides 3 outputs:
 1. TV 1
 2. TV 2
 3. TV 3
- High isolation.
- Low insertion loss.
- All passive, no power required.

Connection Diagram



Free Manuals Download Website

<http://myh66.com>

<http://usermanuals.us>

<http://www.somanuals.com>

<http://www.4manuals.cc>

<http://www.manual-lib.com>

<http://www.404manual.com>

<http://www.luxmanual.com>

<http://aubethermostatmanual.com>

Golf course search by state

<http://golfingnear.com>

Email search by domain

<http://emailbydomain.com>

Auto manuals search

<http://auto.somanuals.com>

TV manuals search

<http://tv.somanuals.com>