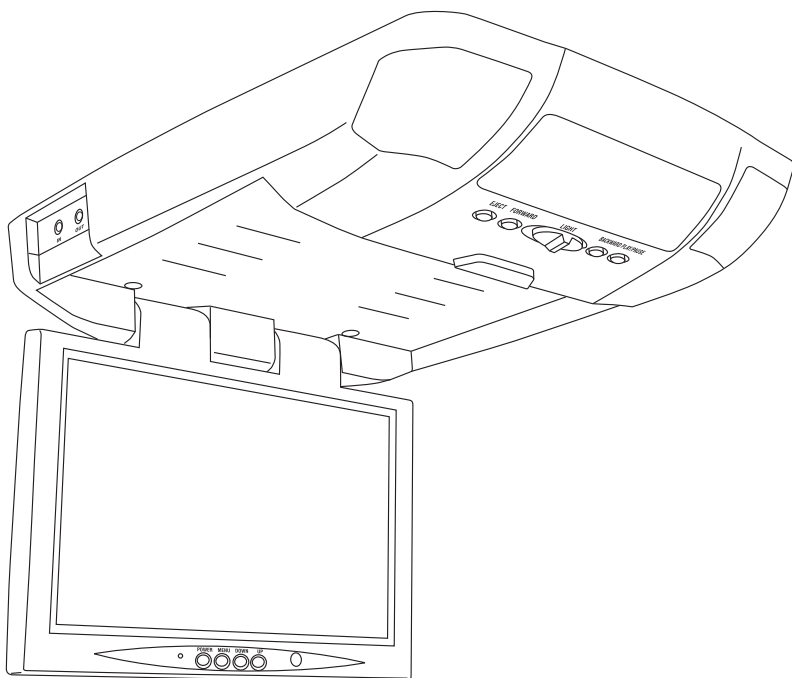


Owner's Manual

Mobile DVD/CD Player

with 10.2" TFT Monitor



Model: MV1025

For operational or technical assistance, after reading this manual,
please call us toll free at (800) 638-3600 or visit www.magnadyne.com

Features

- This unit can play compatible discs recorded in either PAL or NTSC format.
- Full-function remote control.
- CD, DVD, CD-R, CD-RW, MP3, JPEG photo compatible.
- L/R stereo analog audio outputs for connection to existing head unit auxiliary inputs.

Use this Product Safely

Driving

Be aware of road and traffic conditions. Keep the volume at a low level.

Moisture

Do not expose the product to water or excessive moisture. This could cause electrical shorts, fire or other damage.

Parking

Parking in direct sunlight can produce very high temperatures inside your vehicle. Give the car interior a chance to cool down before starting playback.

Proper Power Supply

This product is designed to operate with a 12 Volt DC, negative ground battery system.

Protecting the Disc Mechanism

Avoid inserting any foreign objects into the slot of this player. Failure to observe this precaution may cause malfunction of this unit.

Repairs

Contact our customer service representatives. Do not attempt to disassemble or adjust this product yourself.

Installation

The unit should be installed in a horizontal position.

Cleaning

Use a soft cloth with some purified water to clean the screen. Do not use any cleaner or chemical to clean the screen. Usually, just a dry cloth will do.

Warning

Be careful not to drop or apply undue pressure to the front panel of monitor. If the screen cracks due to misuse, the warranty will be voided!

Contents

Safety Information	3	Basic Operation and Special Functions	9
Disc Notes	4	Turn the Unit On	9
Screen and DVD/CD Functions	5-7	Loading a DVD/CD Disc	9
Location of Functions	5	Ejecting a Disc	9
Turning the Unit On	6	Play Function	9
Adjusting the Monitor	6	DVD Special Functions	9
Inserting a DVD/CD	6	CD Special Functions	9
Last Memory	6	MP3 Function	9
Adjusting the Monitor	6	Setup Menu	10
Screen's Remote Control Sensor	6	Installation	11
Screen's Wireless Transmitter Module	7	Wiring Diagram	12-13
Screen's Dome Lights	7	Specifications	13
Changing to an Auxiliary Input Source	7	Troubleshooting	14
Restore Factory Default Setting	7	Replacement Parts	15-16
Remote Control	8	Warranty	16
Remote Control Functions	8		

Safety Information

CAUTION:

THIS MOBILE DVD PLAYER IS A CLASS I LASER PRODUCT. HOWEVER, THIS MOBILE DVD PLAYER USES A VISIBLE/INVISIBLE LASER BEAM WHICH COULD CAUSE HAZARDOUS RADIATION EXPOSURE IF DIRECTED. BE SURE TO OPERATE THE MOBILE DVD PLAYER CORRECTLY AS INSTRUCTED. USE OF CONTROLS OR ADJUSTMENTS OR PERFORMANCE OF PROCEDURES OTHER THAN THOSE SPECIFIED HEREIN MAY RESULT IN HAZARDOUS RADIATION EXPOSURE. DO NOT OPEN COVERS AND DO NOT REPAIR YOURSELF. REFER SERVICING TO QUALIFIED PERSONNEL.

CAUTION:

FCC REGULATIONS STATE THAT ANY UNAUTHORIZED CHANGES OR MODIFICATIONS TO THIS EQUIPMENT MAY VOID THE USER'S AUTHORITY TO OPERATE IT.

WARNING:

- TO REDUCE THE RISK OF FIRE OR ELECTRIC SHOCK, DO NOT EXPOSE THIS EQUIPMENT TO RAIN OR MOISTURE.
- THIS DEVICE IS INTENDED FOR CONTINUOUS OPERATION.
- TO REDUCE THE RISK OF FIRE OR ELECTRIC SHOCK AND ANNOYING INTERFERENCE, USE ONLY THE RECOMMENDED ACCESSORIES.

This product incorporates copyright protection technology that is protected by method claims of certain U.S. patents and other intellectual property rights owned by Magnadyne Corporation and other rights owners. Use of this copyright protection technology must be authorized by Magnadyne Corporation and is intended for home and other limited viewing uses only unless otherwise authorized by Magnadyne Corporation. Reverse engineering or disassembly is prohibited.

Region Management Information:

This Mobile DVD Player is designed and manufactured to respond to the Region Management Information that is encoded on a DVD disc. If the Region number on the DVD disc does not correspond to the Region number of this Mobile DVD Player, this Mobile DVD Player cannot play this disc. This DVD unit will play Region 1 encoded discs only (United States).

Disc Notes

Disc Formats Supported by this Player:



Discs which cannot be played with this player:

- DVD-ROM
- CDV
- CD-G

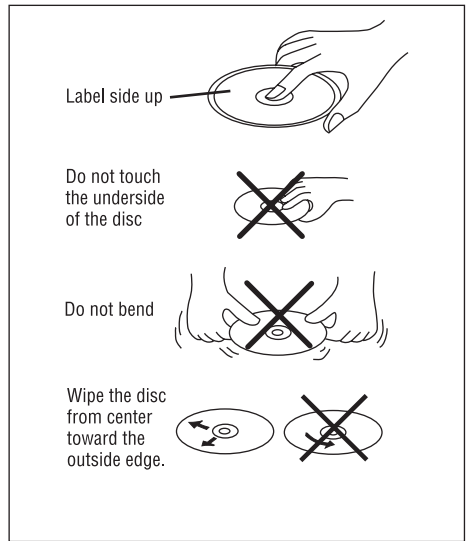
Disc Handling

- Dirt, dust, scratches and warped disc will cause non operation.
- Do not place stickers on disc or scratch disc.
- Do not warp discs.
- A disc should always be kept in its case when not in use to prevent damage.
- Do not place discs in the following places:
 1. Direct sunlight.
 2. Dirty, dusty and damp areas.
 3. Near car heaters.
 4. Car seats or dashboard.

Disc Cleaning

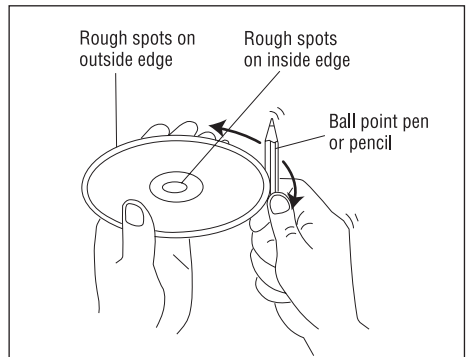
Use a dry soft cloth to wipe the surface. If the disc is quite dirty, use a soft cloth slightly moist with isopropyl (rubbing) alcohol. Never use solvents such as benzine, thinner or conventional record cleaners as they may mar the surface of the disc.

Note: A disc may become somewhat scratched (although not enough to make it unusable) depending on handling and conditions in the usage environment.

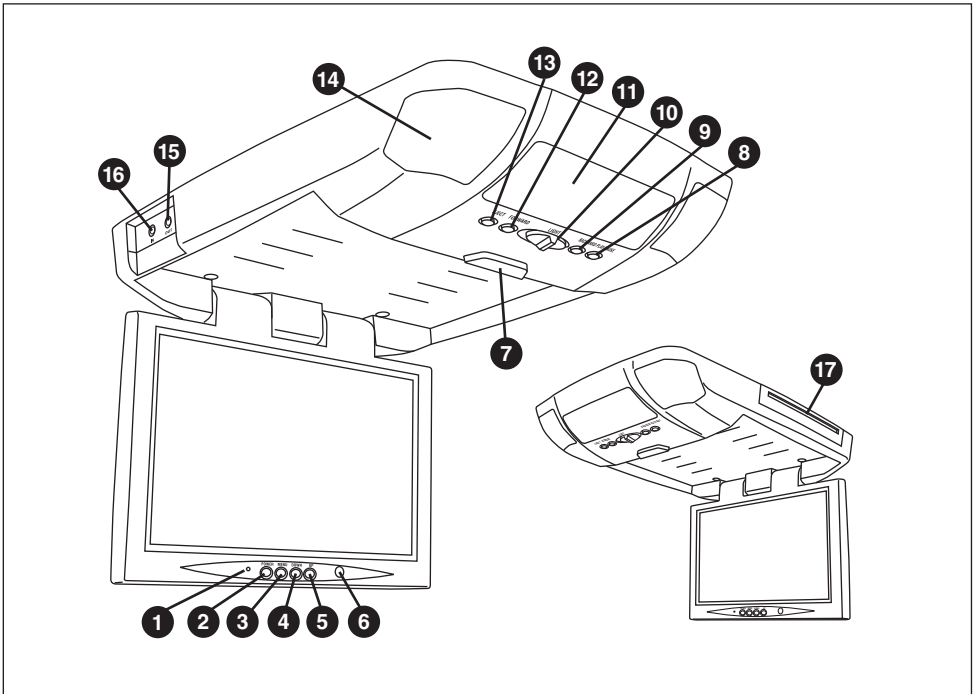


Preparing New Discs with Rough Spots

A new disc may have rough edges on its inside and outside edges. If a disc with rough edges is used, the proper setting will not be performed and the player will not play the disc. Therefore, remove the rough edges in advance by using a ball point pen or pencil as shown. To do this, press the side of the pen or pencil against the inside and outside edges of the disc.



Screen and DVD/CD Functions



- 1. Monitor Stand-By Indicator LED:** LED indicates the monitor is off. To turn the monitor on, press the Power button on the monitor or the remote.
- 2. POWER Button** Press this button to turn the monitor On/Off.
- 3. MENU Button:** Activates the monitor adjustment menu.
- 4. DOWN Button:** Adjust the monitor's level in menu mode.
- 5. UP Button:** Adjusts the monitor's level in menu mode.
- 6. Infrared Remote Sensor:** This is the sensor for the infrared remote control provided.
- 7. Viewing Screen Release:** To release the screen, push this button, then pull down the screen. Place the screen to the desired viewing position.
- 8. PLAY/PAUSE Button:** Press this button to play or pause the DVD/CD temporarily.
- 9. BACKWARD Button:** In DVD/CD mode, pressing this button reverses video/audio backwards at 2x, 4x, 8x, and 20x normal speed.
- 10. Dome Light Switch:** Switch to the ON position to activate the dome lights.
- 11. Infrared Wireless Transmitter Module:** The audio signal is converted to an infrared light signal and transmitted to optional IR headphones.
- 12. FORWARD Button:** In DVD/CD mode, pressing this button advances video/audio forwards at 2x, 4x, 8x, and 20x normal speed.
- 13. EJECT Button:** Press to eject the disc.
- 14. Dome Lights**
- 15. Audio/Video Output Jack:** Used connect an optional monitor.
- 16. Audio/Video Input Jack:** Used to connect video games, camcorders and other portable video equipment.
- 17. Disc Slot:** To play a DVD/CD, insert a disc into slot with label facing up.

Screen and DVD/CD Functions

Turning the Unit On

Press the **POWER** on either the remote or the screen housing.

Adjusting the Monitor

1. Press the **MENU** button on either the remote or the screen housing to activate the monitor adjustment menu. The following will be displayed on the screen:

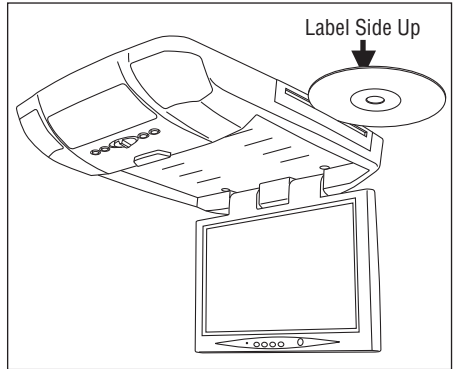


2. Press the **MENU** button again to activate the Brightness menu. An adjustment bar will appear at the bottom of the menu screen.



3. Use the **UP** and **DOWN** buttons on either the remote or the screen housing to adjust the screen Brightness.
4. Press the **MENU** button again to deselect the Brightness adjustment bar.
5. Use the **UP** and **DOWN** buttons on either the remote or the screen housing to select the next video adjustment category.
6. Select **EXIT** in the menu or wait 10 seconds and the menu will automatically disappear.

Inserting a DVD/CD

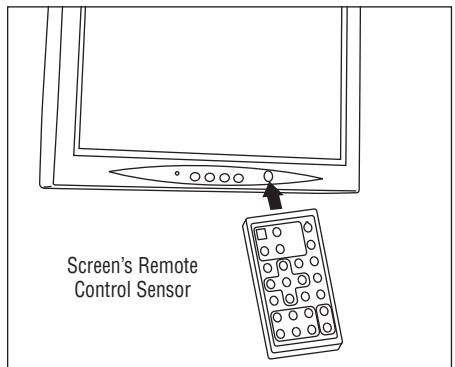


To play a DVD/CD, insert a disc into slot with label side facing up.

Last Memory

After the engine is turned "Off" or the unit is powered "Off", the unit will resume play at the point play was interrupted when the unit is turned back on again.

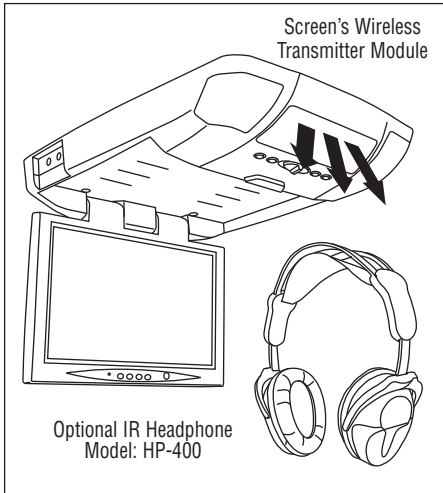
Screen's Remote Control Sensor



Screen's remote control sensor receives the remote's infrared control signals.

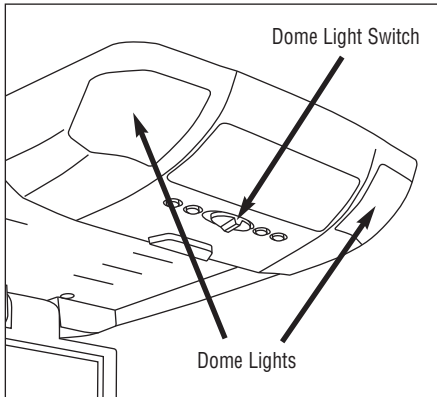
Screen and DVD/CD Functions

Screen's Wireless Transmitter Module

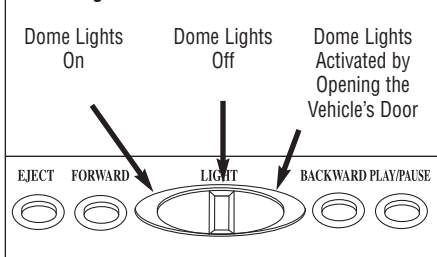


The audio signal is transmitted via infrared light to the optional headphones.

Screen's Dome Light



Dome Light's 3-Position Switch



Changing to an Auxiliary Input Source

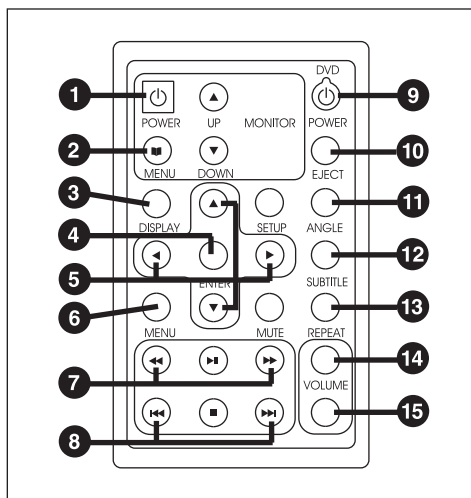
Connect the A/V cable provided to the auxiliary A/V device (connection may require a male-to-male RCA patch cord not supplied). Match the color connectors as enclosed (Yellow = Video In, Red = Left Audio In, White = Right Audio In). Insert the remaining "pin plug" end of the A/V cable to the "IN" port on the left side of the screen housing. The screen image will change to the new A/V device automatically. Removing the A/V plug will switch the screen back to the DVD player.

Restore Factory Default Setting

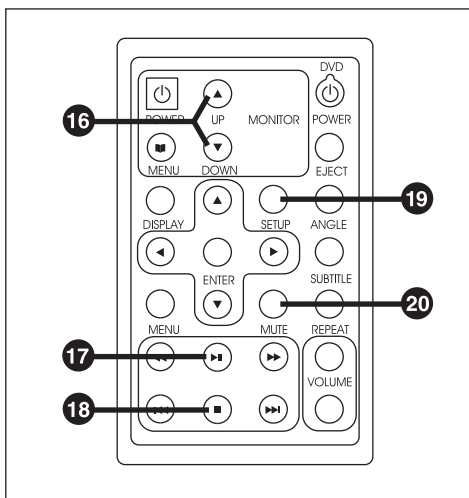
1. Press the **MENU** button on either the remote or the screen housing to activate the monitor adjustment menu. Use the **UP** and **DOWN** buttons on either the remote or the screen housing to select Recall.
2. Press the **MENU** button again to restore factory default setting.
3. Select **EXIT** in the menu or wait 10 seconds and the menu will automatically disappear.



Remote Control Locations



1. **POWER:** Turns the monitor On/Off.
2. **MENU:** Display DVD's menu screen.
3. **DISPLAY:** Displays disc information.
4. **ENTER:** Enter settings.
5. **◀ ▶ ▲ ▼** Use **CURSOR** buttons when selecting setting items or to move cursor up, down, left or right.
6. **MENU:** Enters DVD playback main screen menu.
7. **◀◀ ▶▶** Advances video/audio forward at 2x, 4x, 8x. and 20x normal speed.
Advances video/audio backward at 2x, 4x, 8x. and 20x normal speed.
8. **◀◀ ▶▶** Press these buttons to search for the beginning of track or chapter.
9. **DVD POWER:** Turns power On/Off for DVD player only.
10. **EJECT:** Ejects the disc.
11. **ANGLE:** Selects viewing angles available on disc.
12. **SUBTITLE:** Selects various languages available on disc.
13. **REPEAT:** Selects the repeat modes: title or chapter.
14. **VOLUME UP:** Increases the volume level.
15. **VOLUME DOWN:** Decreases the volume level.



16. **▲ ▼** Adjustment of monitor setting in On-Screen Display (OSD).
17. **▶■** Play or pauses disc.
18. **■** Stop play of picture or audio.
19. **SETUP:** Enters settings within the DVD function only.
20. **MUTE:** Mutes audio playback.

BASIC OPERATION

Turn the Unit On

1. Turn the car ignition on to the accessory position.
2. Press the **POWER** button.

Loading a Disc

1. Insert the disc with label side facing up into the disc slot. The player will automatically play the disc.

Ejecting a Disc

Press the **EJECT** button to eject the disc.

PLAY FUNCTION

Stopping Play

Press the **STOP** button to stop the disc playback (PRE STOP). Press the **PLAY/PAUSE** button on the remote to continue with normal playback at the position it was stopped. When the disc is removed or the **STOP** button is pressed again, the resume function is cancelled.

Pausing Play

Press the **PLAY/PAUSE** button to pause disc during playback. Press the button again to resume play.

Scan Backward and Forward

◀◀ Reverses and ▶▶ advances video/audio disc at 2x, 4x, 8x and 20x normal speed.

Return to Previous Chapter or Track

Press the ◀◀ button during playback and play returns to the beginning of the previous chapter or track.

Advance to Next Chapter or Track

Press the ▶▶ button during playback and play advances to the beginning of the next chapter or track.

Removing Disc

Press the **STOP** button, then press the **EJECT** button to eject the disc.

Repeat Play

For DVD's, press the **REPEAT** button to repeat title or chapter.

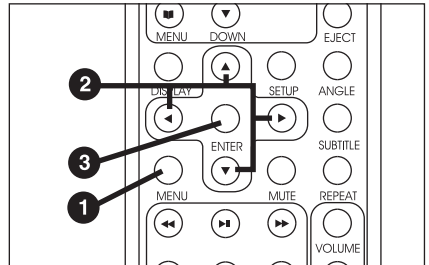
For CD's, press the **REPEAT** button to repeat a track or the entire disc.

For MP3's, press the **REPEAT** button to repeat file, directory or all.

DVD SPECIAL FUNCTIONS

Display DVD Menu Screen

1. Press the **MENU** button to display the menu screen of the DVD.
2. Use the cursor buttons to select an item.
3. Press **ENTER** or **PLAY** to play the selected item.



View Angles of DVD

Press the **ANGLE** button to select the different angles to view.

Note: If the DVD doesn't have multi-angle function, this function isn't applicable.

Multi-Subtitle Language Function

Press the **SUBTITLE** button during playback. Each time the button is pressed the subtitle language on the screen changes.

Repeat Function

Press the **REPEAT** button during playback to repeat title or chapter.

CD SPECIAL FUNCTIONS

Repeat Function

Press the **REPEAT** button during playback to repeat track (REP 1) or repeat entire disc (REP ALL).

MP3 FUNCTION

This unit supports MP3 discs. Use the **CURSOR** buttons to move the cursor through the MP3 directory. Then push **ENTER** to play desired file.

Note: While a disc is playing, push the ◀◀ or ▶▶ button to play the previous or next file on the disc.

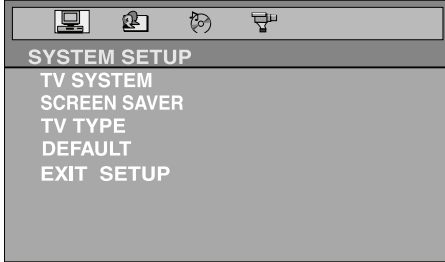
Repeat Function

Press the **REPEAT** button during playback to repeat file (REP 1), repeat directory (REP DIR) or repeat entire disc (REP ALL).

Setup Menu

SETUP MENU

1. Press the **SETUP** button on the remote control, and the setup menu will be displayed. Pressing **SETUP** during disc play will pause play. Play will resume when the setup screen is cancelled.
2. Use the **CURSOR** buttons ◀ ▶ ▲ ▼ to select desired SETUP MENU.



SYSTEM SETUP MENU

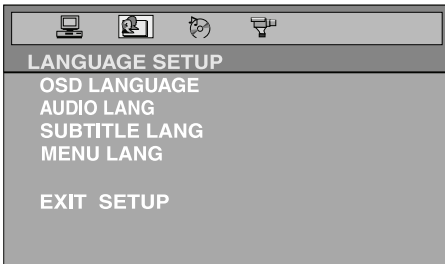
The following settings can be changed:

TV SYSTEM: NTSC, PAL, AUTO.

SCREEN SAVER: ON, OFF.

TV TYPE: 4:3, 16:9.

DEFAULT: Resets all to factory setting.



LANGUAGE SETUP MENU

The following settings can be changed to (English, Chinese, German, Spanish, French, Portuguese, Japanese, Latin):

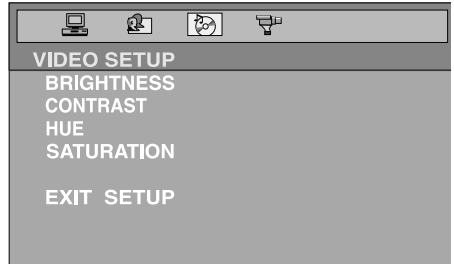
OSD LANGUAGE: On-Screen Display Menus.

AUDIO LANG: During DVD playback, but specific to each DVD recording.

SUBTITLE LANG: During DVD playback, but specific to each DVD recording.

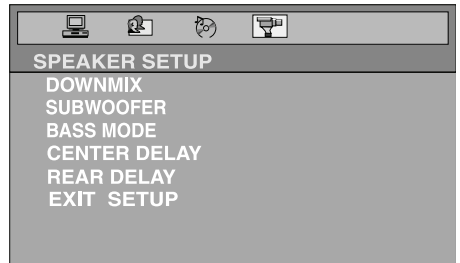
MENU LANG: During DVD playback, but specific to each DVD recording.

SETUP MENU (continued)



VIDEO SETUP MENU

Not applicable to this system. Use Adjusting the Monitor (page 6).

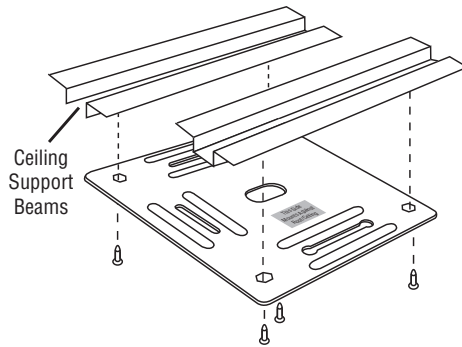


SPEAKER SETUP MENU

Not applicable to this system.

Installation

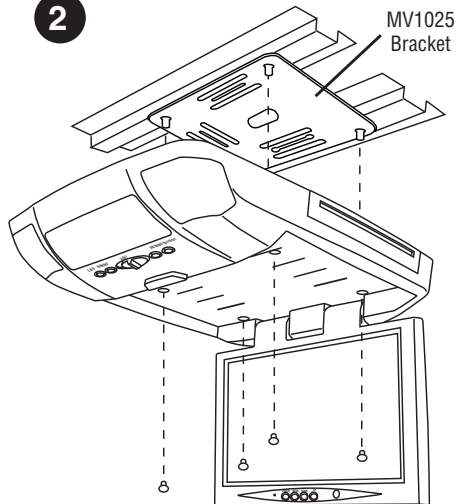
1



Mount support bracket using screws (not supplied) with the "This Side Mounts Against Roof/Ceiling" label against ceiling support beam(s).

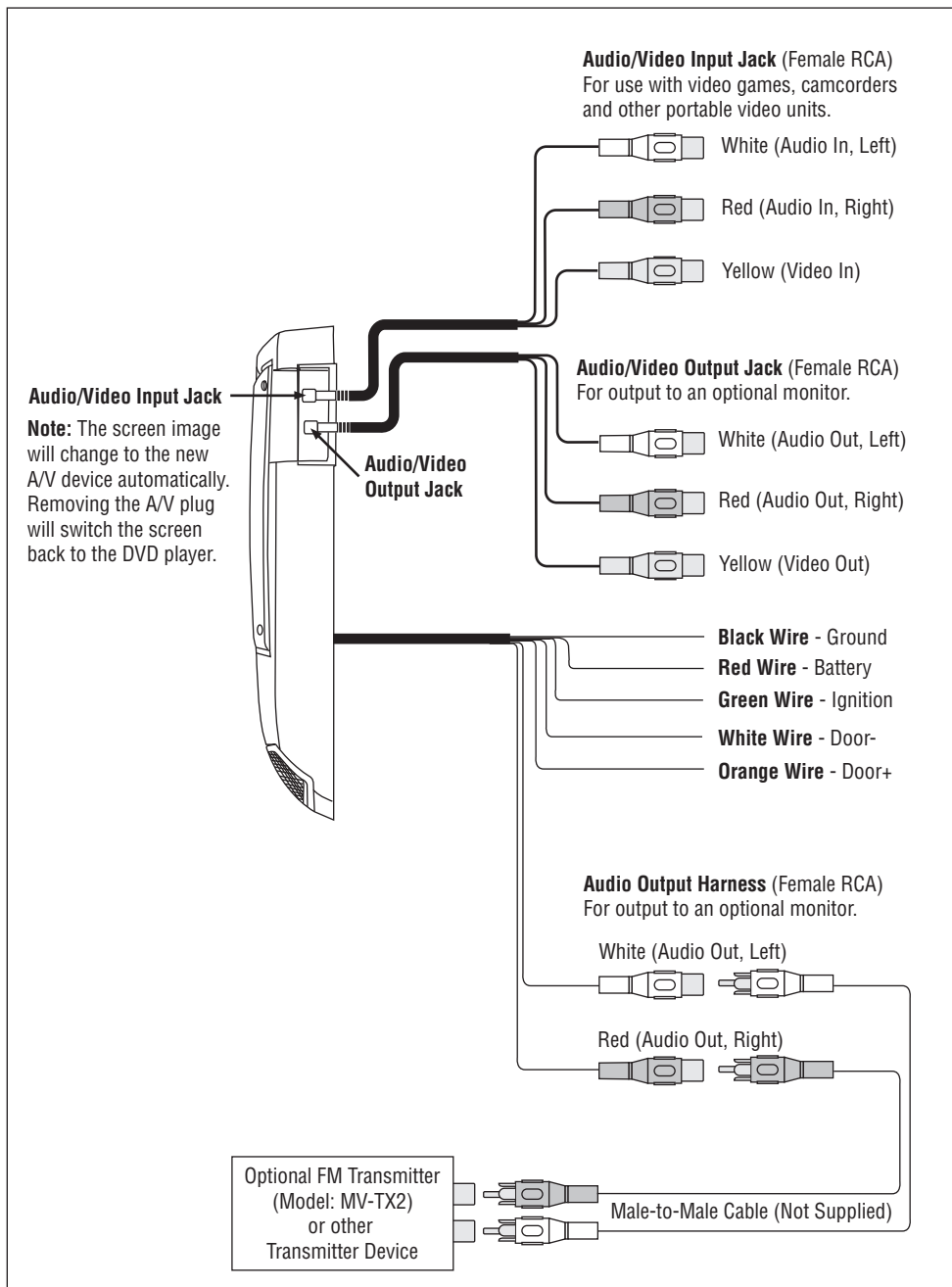
Warning: Take extra care to not penetrate the roof of your car.

2



Attach the screen housing to the metal support bracket using the machine screws supplied.

Wiring Diagram



Wiring Instructions

Power Harness Wiring:

The 5 wire harness provides battery and 12 volts ignition as well as a chassis ground. Route the power harness to the point in the vehicle that you will make the connections.

Green Wire: The green wire in the harness should be connected to a +12 volt power wire that is turned on and off by the ignition key.

Red Wire: The red wire in the harness should be connected to a constant +12 volt wire that is NOT turned on and off by the ignition key.

Black Wire: The black wire in the harness should be connected to the chassis of the vehicle using a ring terminal and self tapping screw or bolt and nut.

Gray Wire: Connect to the common trigger wire coming from all door pin switches (-).

White Wire: Connect to the common trigger wire coming from all door pin switches (+).

Audio/Video Input Jack:

You may connect video games, camcorders and other portable video equipment to the MV1025. Connect the optional device by using the color-coded external auxiliary harness.

Yellow RCA Connector: Video input.

Red RCA Connector: Audio input right.

White RCA Connector: Audio input left.

Note: The unit is supplied with only one color-coded external auxiliary harness.

Audio/Video Output Jack:

You may output video/audio to an optional monitor. Connect to the optional monitor by using the color-coded external auxiliary harness.

Yellow RCA Connector: Video input.

Red RCA Connector: Audio input right.

White RCA Connector: Audio input left.

Audio Output Harness:

You may output audio to an FM transmitter.

Red RCA Connector: Audio output right.

White RCA Connector: Audio output left.

Specifications

Supply Voltage:	12V DC, Negative Ground
Viewing Angle:	Up to 135 degrees
Screen Format:	16:9
Resolution:	800 x 480 pixels
A/V input:	1
A/V output:	1
Compatible Discs:	DVD-Video Disc: DVD 8cm or 12 cm disc (single/double-sided discs) Compact Disc: CD 12 cm disc MP3: MP3 12 cm disc
IR Transmitter:	Built-In
Dimensions (mm):	300mm (w) x 280mm (d) x 55mm (h)

Troubleshooting

Only qualified service personnel can remove the cover or service this player. Otherwise the warranty will become invalid.

No Power:

- Check to see if the player is “On”.
- Check to see that the power plug of the main unit is properly connected.
- Check to see if that power to the outlet is properly working.

No Picture:

- Check to see that the monitor is switched “On”.
- Check that the correct Mode is selected (DVD or AV) by pushing the MODE button.
- Check the audio/video in connection.

Distorted Picture:

- Check the disc for fingerprints and clean with soft dry cloth, wiping from center to edge.
- A small amount of picture distortion may appear. This may not be a malfunction.

No Sound:

- Check audio connections.
- Be sure the headphones are turned on, some headphones automatically shut off.
- Be sure the headphone batteries are not depleted.
- Check the volume and mute setting on both the monitor and headphone.

Disc Does Not Play:

- Ensure the disc label is facing up.
- Clean the disc.
- Check to see if the disc is defective by trying another disc.
- The disc format is not supported by this unit.

The Player Does Not Respond to the Remote Control:

- Aim the remote control directly at the sensor on the front of the housing.
- Avoid all obstacles which may interfere with the signal path.
- Inspect or replace the remote control batteries.
- Check that the battery is inserted correctly.

Buttons Do Not Work:

- Press **POWER** to turn “Off” the unit, then press it again to turn “On” the unit.

Volume different for DVD and CD:

- This is due to different recording methods

Replacement Parts Order Form

Send Orders To: Magnadyne Corporation
 ATTN: Consumer Parts Sales
 P.O. Box 5365
 Carson, CA 90749-5365

We Accept Checks, Money Orders, Visa and Master Card
Make Checks Payable to: Magnadyne Corporation

SHIP TO: (No P.O. Boxes)

LAST NAME

FIRST NAME

INITIAL

STREET ADDRESS (IF PAYING WITH A CREDIT CARD, YOUR BILLING ADDRESS IS REQUIRED)

CITY

STATE

ZIP CODE

DAYTIME PHONE NUMBER

CREDIT CARD INFORMATION:

CARD TYPE: VISA MASTER CARD

CARD NUMBER

EXP. MONTH

YEAR

NAME - EXACTLY AS IT APPEARS ON YOUR CREDIT CARD

Part #	Description	Qty.	Price Each	TOTAL
MV1025RM	Remote Control		\$39.95	

Shipping and Handling

Subtotal + Tax	Add
Up to \$20.00	\$5.00
20.01 to 30.00	5.95
30.01 to 45.00	6.50
45.01 to 70.00	6.95
Over 70.01	7.95

Subtotal = _____ . _____

California Residents Add Sales Tax = _____ . _____

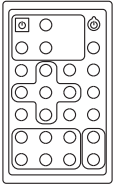
Shipping and Handling (See Chart) = _____ . _____

TOTAL = _____ . _____

No C.O.D.'s

On regular orders please allow 4-5 weeks for delivery. Please give a shipping address where this order may be delivered between the hours of 9 a.m. and 5 p.m. weekdays. If UPS is unable to deliver, your order will be returned and additional shipping charges will be required.

Order By Mail Replacement Parts for MovieVision®



	DESCRIPTION	MODEL #	PRICE
	DVD Remote Control	MV1025RM	\$39.95 Ea.

Warranty

ONE (1) YEAR LIMITED WARRANTY

Magnadyne Corporation or its authorized agents will within 1 year from the date of sale to you, repair, replace or refund the retail sales price of said product or any part thereof, at the option of the Magnadyne Corporation or its authorized agents, if said product or part is found defective in materials or workmanship, when properly connected and operating on the correct power requirements designated for the specific product. This warranty and Magnadyne Corporation or its authorized agents obligations hereunder do not apply where the product was; damaged while in the possession of the consumer, subjected to unreasonable or unintended use, not reasonably maintained, utilized in commercial or industrial operations, or serviced by anyone other than Magnadyne Corporation or its authorized agents, or where the warning seal on the product is broken or the power and/or plugs are detached from the unit. Magnadyne Corporation or any of its authorized agents will not assume any labor costs for the removal and re-installation of any product found to be defective, or the cost of transportation to Magnadyne Corporation or its authorized agents. Such cost are the sole responsibility of the purchaser.

This warranty does not cover the cabinet appearance items or accessories used in connection with this product, or any damage to recording or recording tape, or any damage to the products resulting from improper installation, alteration, accident, misuse, abuse or acts of nature.

MAGNADYNE CORPORATION OR ITS AUTHORIZED AGENTS SHALL NOT BE LIABLE TO ANYONE FOR CONSEQUENTIAL OR INCIDENTAL DAMAGES OR CLAIMS EXCEPT THOSE ACCORDED BY LAW. NO EXPRESSED WARRANTY OR IMPLIED WARRANTY IS GIVEN EXCEPT THOSE SET FORTH HEREIN. NO IMPLIED WARRANTY SHALL EXTEND BEYOND 1 YEAR FROM THE DATE OF SALE.

This warranty extends only to the original purchaser of the product and is not transferable.

Some states do not allow limitations on how long an implied warranty lasts and some states do not allow the exclusion or limitation of incidental or consequential damages, so the above limitations or exclusion may not apply to you. This warranty gives you specific legal rights and you may have other rights that vary from state to state.

Defective merchandise should be returned to the original point of purchase or secondly, to Magnadyne Corporation, 1111 W. Victoria Street, Compton CA 90220. Return Authorization must be obtained before sending, or merchandise may be refused.

Free Manuals Download Website

<http://myh66.com>

<http://usermanuals.us>

<http://www.somanuals.com>

<http://www.4manuals.cc>

<http://www.manual-lib.com>

<http://www.404manual.com>

<http://www.luxmanual.com>

<http://aubethermostatmanual.com>

Golf course search by state

<http://golfingnear.com>

Email search by domain

<http://emailbydomain.com>

Auto manuals search

<http://auto.somanuals.com>

TV manuals search

<http://tv.somanuals.com>