

OWNER'S MANUAL

LS9600UCDW / LS9600UCDS

AM/FM Stereo Receiver with Compact Disc Player, Alarm Clock and Subwoofer

Designed for Under Counter or Table Top Installations in Recreational Vehicles, Motor Homes and Mobile Housing.

LS8600UCDW

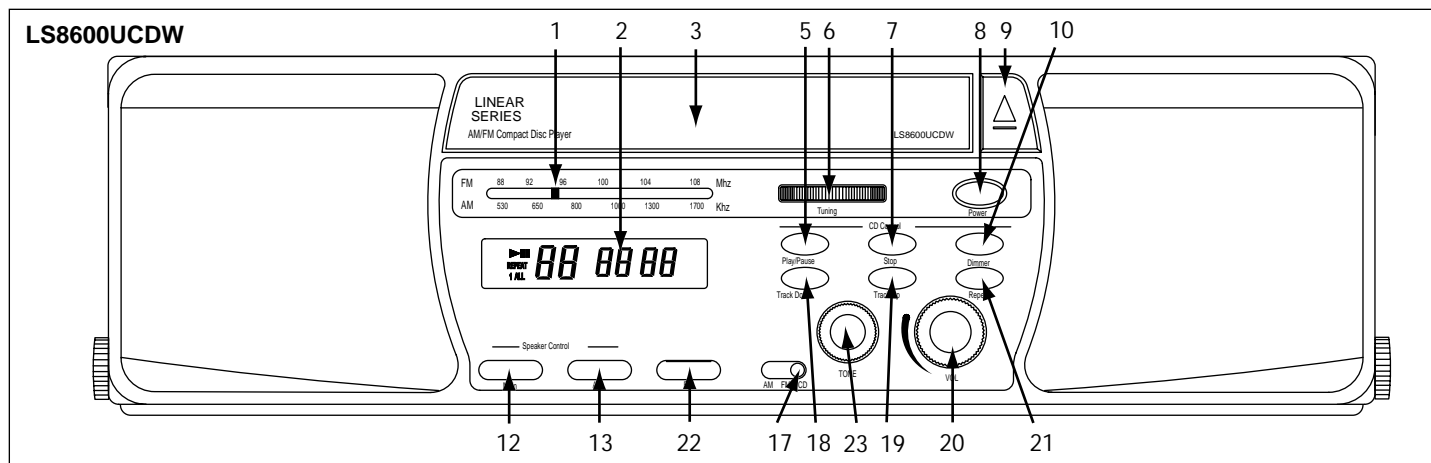
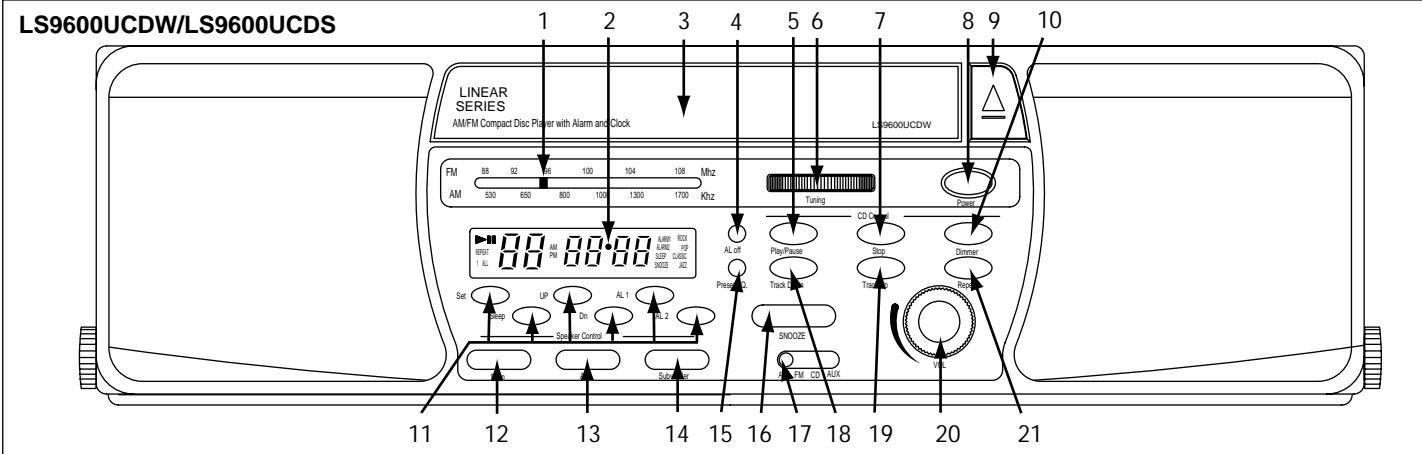
AM/FM Stereo Receiver with Compact Disc Player

Designed for Under Counter or Table Top Installations in Recreational Vehicles, Motor Homes and Mobile Housing.

**LINEAR
SERIES**

A Registered Trademark of Magnadyne Corporation

CONTROLS AND FUNCTIONS



CONTROLS AND FUNCTIONS

As a new owner of a Linear Series entertainment system, you should read this manual fully before operating this unit. This will insure that you have full knowledge of all operations and features.

WARNING! To prevent fire or electrical shock hazard, do not expose this product to rain or moisture, or remove cover or case screws. There are no user serviceable parts inside. If this product requires service, contact qualified service personnel only.

1. Radio Dial Scale

The radio dial scale is used for visual reference of the AM or FM radio station you wish to select. Rotate the tuning knob (6) and watch the indicator to select the station you desire.

2. Digital LCD Information Center

This area provides digital messages and indicators pertaining to the features being operated such as CD disc selection, EQ settings, and on some models the alarm clock settings.

3. CD Tray

Press the eject button (9) and the CD tray will open. Place a CD music disk in the tray with the label side up. Gently push on the tray door or press the eject button (9) again to close the door. **Note:** This door is motorized. There is not need to push the door all the way in. Doing this will damage the door.

4. Alarm Off Control (LS9600UCDW/S Only)

After the alarm has gone off at the selected time, press the "AL Off" button to turn off the alarm function.

5. CD Play/Pause Control

Press this button to start playing a music CD disk or to pause the playback of a music CD disk.

6. Radio Tuning Knob

To select an AM or FM radio station, rotate the knob from left to right and select the desired station.

7. CD Stop Control

Press this button to stop CD play

8. Power Button

Press this button to turn the unit on. Press the button again to turn the unit off.

9. CD Eject Button

Press this button to eject the CD tray (3) and remove the CD music disk.

10. Display Dimmer Control

To dim the lighting in the display area, press this button. To return to normal level lighting, press this button again.

11. Alarm Clock and Sleep Timer Controls (LS9600UCDW/S Only)

(See the "Using the Alarm Clock" section of this manual for proper operation of these controls)

12. Main Speaker Selection Control

Push this button until it locks to have the main front panel speakers play sound.

13. Aux Speaker Control

If a second set of speakers has been connected to your unit, you can press the "AUX" speaker control button until it locks to play sound through the second set of speakers.

14. Subwoofer Control (LS9600UCDW/S Only)

The LS9600UCDW/S models have a built-in subwoofer speaker. Pressing this button will turn the subwoofer speaker on for enhanced low frequency (radio and CD) music response. Press and release the button (out position) to turn off the subwoofer speaker.

CONTROLS AND FUNCTIONS

15. Electronic EQ Selection (Applies to LS9600UCDW/S Only)

Preset electronic sound equalization system that allows you to select from 1 of 5 settings to meet your listening taste. The EQ selections are activated in sequence by repeated pressing of the "Preset EQ" button. The adjustment sequence is as follows. Rock, Pop, Classic, Jazz and Off. Press the button as many times as needed to select the EQ setting you desire.

16. Alarm Snooze Control (LS9600UCDW/S Only)

(See the "Using the Alarm Clock" section of this manual for proper operation of this control).

17. Source Selection Knob

Slide this button from left to right to select the source (AM, FM or CD) you want to play through the speakers.

Note: The LS9600UCDW/S has an auxiliary input for the connection of a TV set or other secondary audio device, you can select the "AUX" position for that device to play sound through the speakers.

18. CD Track Down Control

While playing a music CD, you can select a previous track by pressing the "Track Down" button until the desired music selection is obtained.

19. CD Track Up Control

While playing a music CD, you can select a previous track by pressing the "Track Up" button until the desired music selection is obtained.

20. Volume Control

Rotate this knob from left to right to adjust the overall loudness of the speakers.

21. CD Repeat Control

To repeat play the song you are listening to, press the "Repeat" button once. "Repeat 1" will be displayed in the LCD Information Center (2). For continuous playing of the entire disc, press the "Repeat" button a second time. "Repeat All" will be displayed in the LCD information Center (2). Press the "Repeat" button a third time to turn off the repeat function.

22. Speaker Bass Boost Control (LS8600UCDW Only)

To enhance the low frequency response of the Radio or CD music you are listening to, press this button in until it locks. Press and release the button (out position) to turn off the bass boost function.

23. Tone Control (LS8600UCDW Only)

To adjust the music tone, rotate this control to adjust a higher or lower overall tone to the music.

Radio Operation

1. Press the power button (8) to turn the unit on.
2. Use the source selector knob (17) to select the AM or FM radio band.
3. Tune in the desired radio station by rotating the tuning knob (6).
4. Adjust the volume control (20), EQ control (15) or tone control (23) to suit your listening taste.

Compact Disc Operation

1. Press the power button (8) to turn the unit on.
2. Use the source selector knob (17) to select CD playback.
3. Press the CD eject button (9) to open the CD tray. Insert a disc with the label facing up and close the tray.
4. Press the play button (5) to start CD music play. Use the CD control (5, 7, 10, 18, 19 and 21) for any adjustments to CD playback.
5. Adjust volume (20) and tone controls (15, 23) to you desired listening levels.

CONTROLS AND FUNCTIONS

Alarm Clock Operation (LS9600UCDW/S Only)

Setting the Clock and Alarm Times:

1. Press and hold the set button until the clock hours begin to flash.
2. Press the up or down buttons to correctly set the hours. Pay attention to the AM and PM indicators in the display to make sure you're setting the right time of day.
3. Press the set button a second time. The minutes display will begin to flash. Press the up or down buttons to correctly set the minutes.
Note: If you do not want to make alarm settings at this time, do nothing for 10 seconds and the setting mode will exit.
4. Press the set button once again and the hours and "Alarm 1" indicators will flash.
5. Press the up or down buttons to correctly set the hours. Pay attention to the AM and PM indicators in the display to make sure you are setting the right time of day.
6. Press the set button a second time. The minutes display will begin to flash. Press the up or down buttons to correctly set the minutes.
Note: If you do not want to make "Alarm 2" settings at this time, do nothing for 10 seconds and the setting mode will exit.
7. Press the set button once again and the hours and "Alarm 2" indicators will flash.
8. Press the up and down buttons to correctly set the hours. Pay attention to the AM and PM indicators in the display to make sure you are setting the right time of day.
9. Press the set button a second time. The minutes display will begin to flash. Press the up and down buttons to correctly set the minutes.

Note: You can make or change "Alarm 1" and "Alarm 2" settings at any time but you must scroll through the clock setting sequence first. Press and hold the set button until the

hours begin to flash then press the set button 2 more times to get to "Alarm 1" setting or press the set button 6 times to reach "Alarm 2" setting.

Activate the Alarm:

Once the alarm times have been set, press "AL1" and/or "AL2" buttons to turn on the alarm(s). "ALARM 1" and/or "ALARM2" will be indicated in the display.

Activate the Snooze Alarm:

Once the clock alarm has gone off, you can press the snooze button and it will temporarily stop the alarm from sounding for 9 minutes and then the alarm will sound again. Repeated pressing of the snooze button will delay the sounding of the alarm for another 9 minutes.

To Turn Off the Alarm:

Once the clock alarm is sounding, press the "AL OFF" button (4) and the alarm will turn off. The "ALARM 1" and/or "ALARM 2" will remain displayed and the alarm clock will go off again in 24 hours. To eliminate the clock alarm operation, you must press the "AL 1" and/or "AL2" button (11) to remove the alarm indicators in the display.

Using the Sleep Timer:

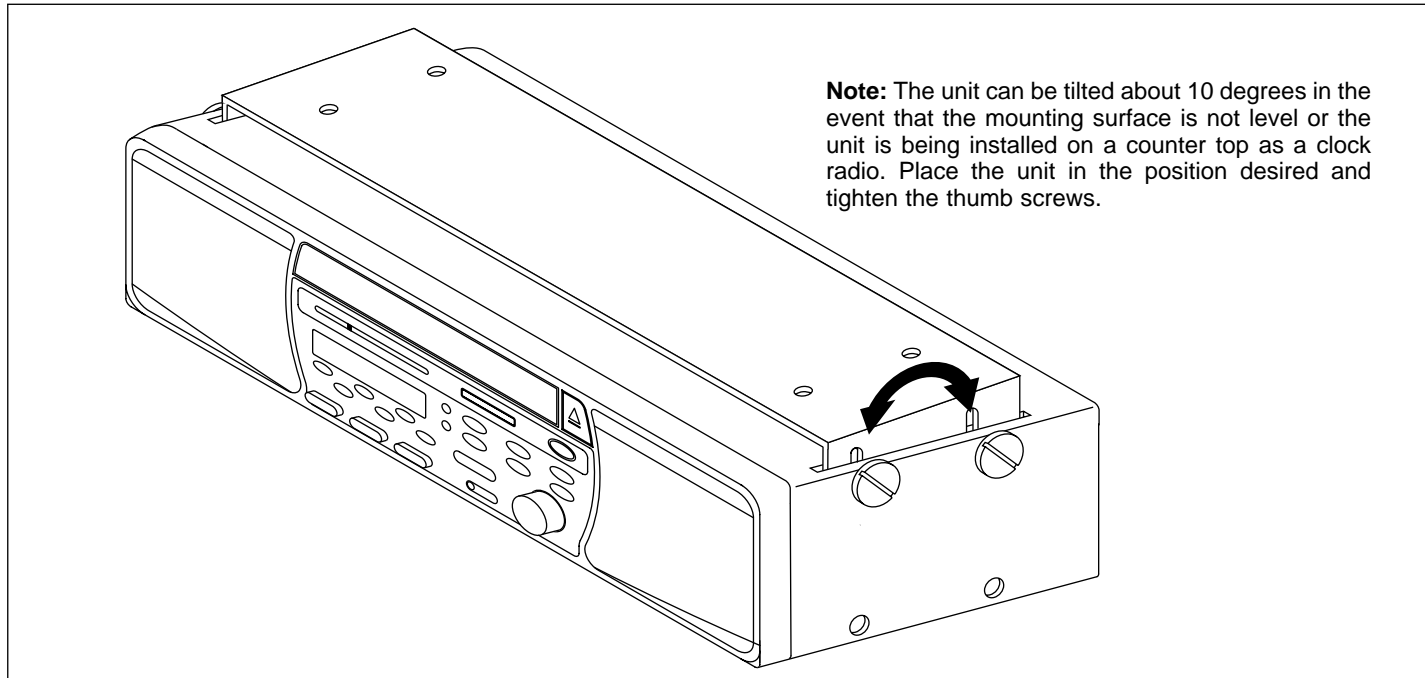
To use the sleep timer repeat the following steps:

1. Press the power button (8) to turn the unit on.
2. Select the music source using the source selection knob (17).
3. Select the radio station or CD track you wish to fall asleep to.
4. Press and hold the "SLEEP" button. The display will change to "120" momentarily. Continue to hold the sleep button down to select the amount of time you wish the unit to play before it shuts off. Sleep times can be selected from 120 minutes down to 10 minutes in 5 minute segments. Once the time duration is set release the "SLEEP" button.
5. Press the "SLEEP" button once again to activate the sleep function. The "SLEEP" indicator will light up in the display.

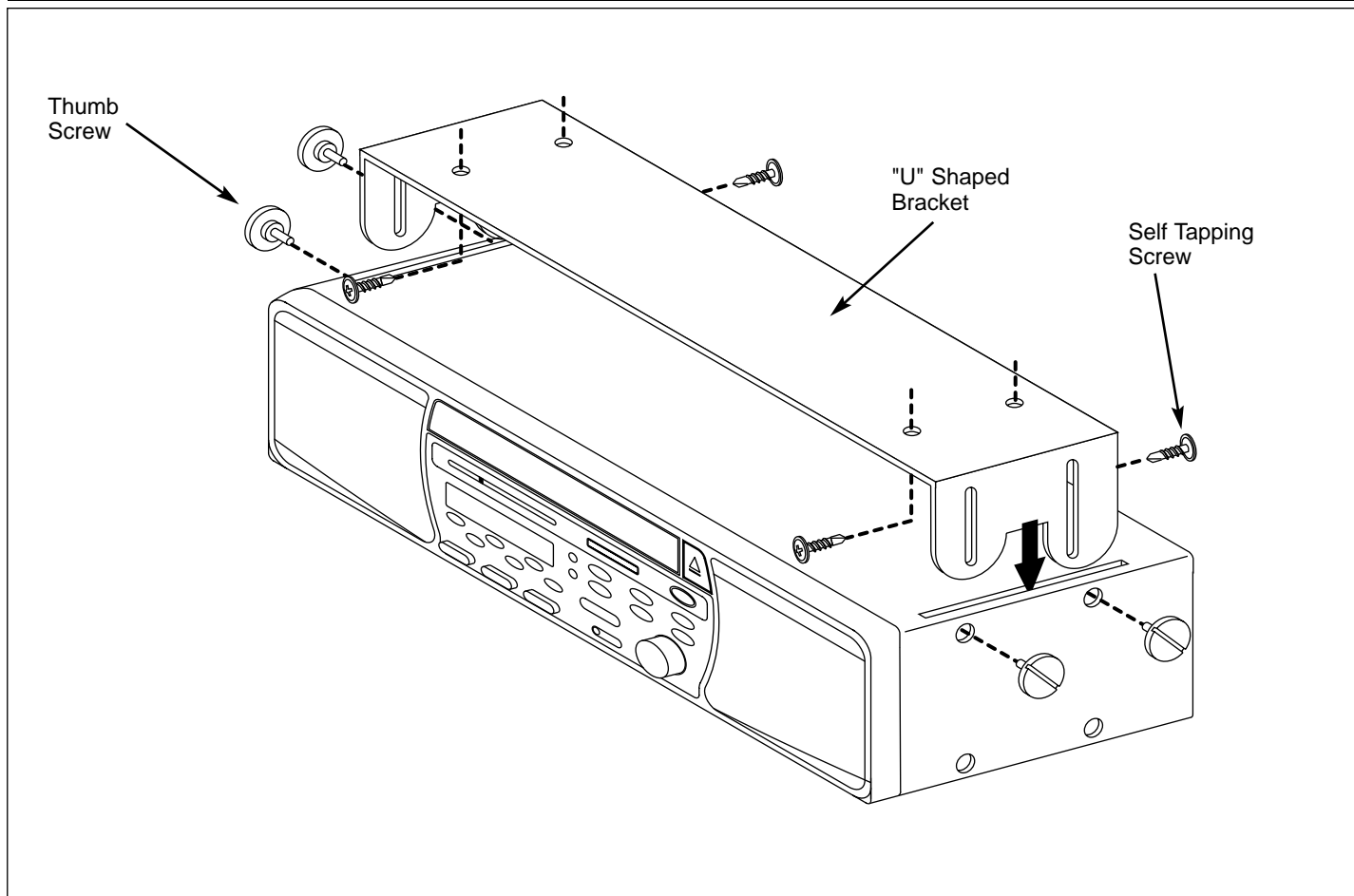
INSTALLATION

The unit can be installed under a cabinet or on top of a counter. Such locations would include mounting under a kitchen cabinet, living room cabinets or under a cabinet or ledge in a bedroom. The unit can also be installed on a counter top (clock radio style).

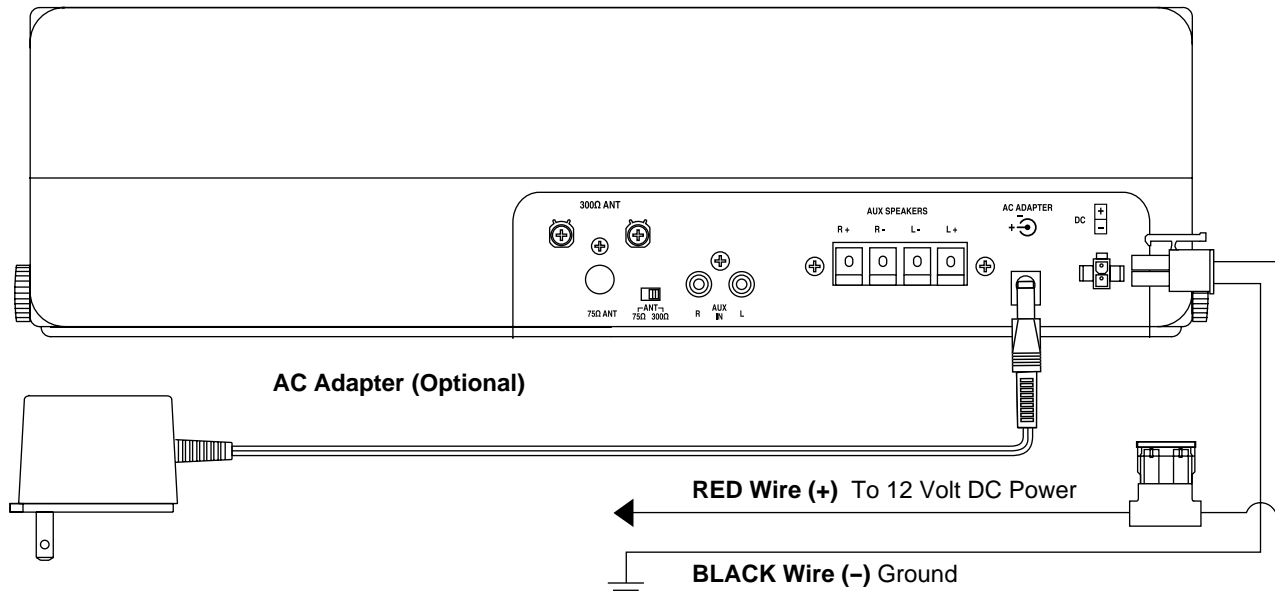
1. Locate a suitable spot for installation. Regardless if the installation is under counter or counter top, the minimum space required is 14.5" (W) x 9" (D) x 4-1/4" (H). Make sure to compensate for the wiring that will exit the back of the unit.
2. Remove the "U" shaped mounting bracket by releasing the thumb screws (4 pieces) on the side of the unit. Use the bracket as a drill guide and drill four 1/8" holes. If you plan to use self tapping type screw, you can place the bracket in the proper location and power drive the mounting screws in place. Install four (4) mounting screws to secure the bracket.
3. Slide the unit onto the bracket and install the four (4) thumb screws by hand. Set the unit into it's final position and finish tightening the screws.



INSTALLATION



POWER CONNECTIONS



Alternate Power Connection

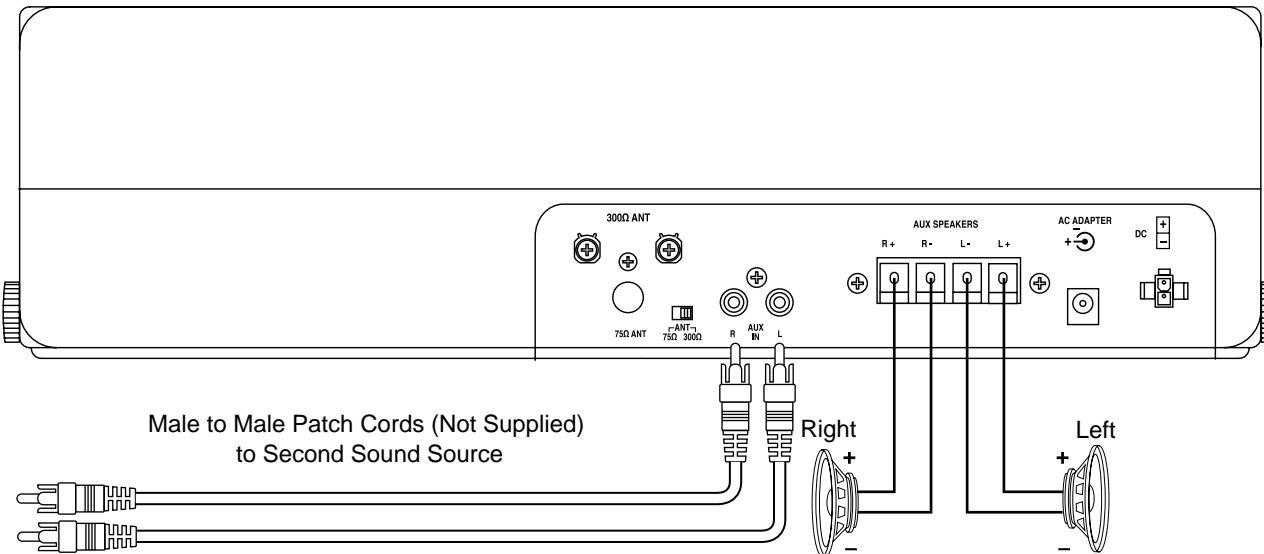
The unit can be powered by a AC to DC power converter that can supply 5 amps of continuous power. A DC power input jack is provided on the back of the unit for this purpose. Observe the polarity of the converter output plug. For the input plug on the unit, the center terminal is (+) and the outer connection is (-).

DC Power Connection

Red Wire: Connect the Red Wire to a constant (+) power source such as a battery or positive power supply buss on a power converter.

Black Wire: Connect the Black Wire to the battery system ground or power converter system 12V ground buss.

SPEAKER CONNECTIONS

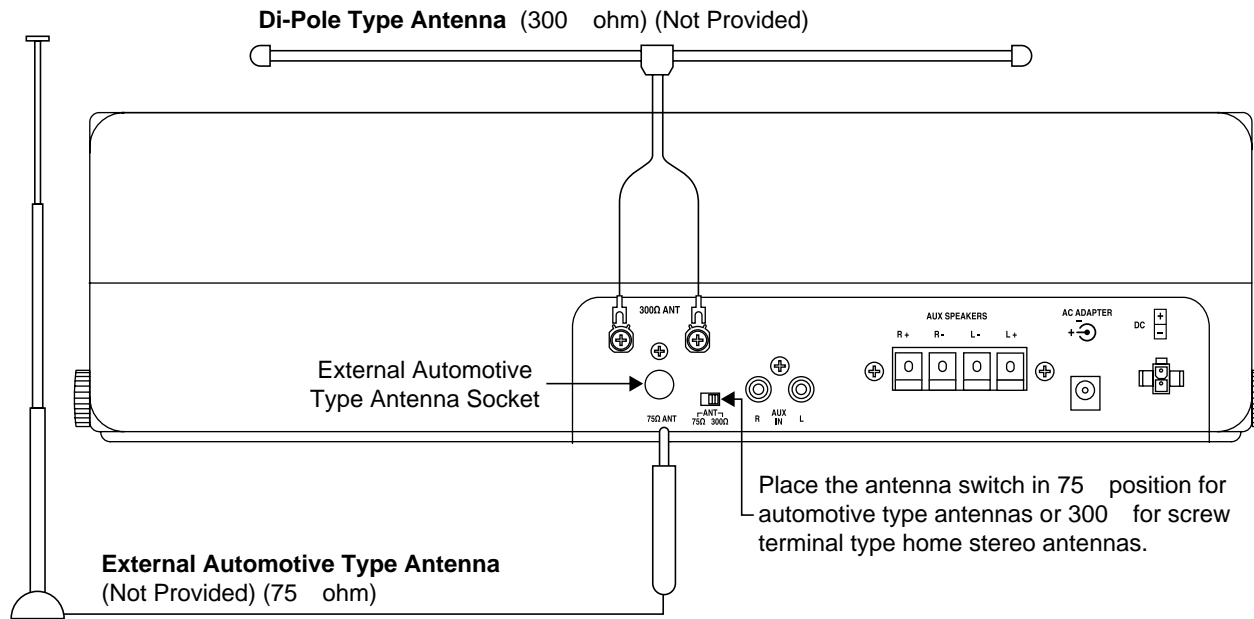


Aux Audio Input (LS9600UCDW/S Only): Left and right RCA type input jacks are provided on the back panel for connection to a second sound source such as a TV system or component cassette deck. Connect a stereo "male to male" patch cord to the units input jacks and then connect the remaining ends to the second sound sources output jacks.

Note: If the second sound source only has a single mono output jack, it may be necessary to use a "Y" adapter to provide both the left and right inputs of the LS9600UCD with signal.

Aux Speaker Connections

ANTENNA CONNECTIONS



The units will accept either a standard automotive type antenna plug or the screw terminals of a 300Ω ohm di-pole wire antenna typically used in a home stereo system. Follow the diagram enclosed for the antenna type you are installing

SAFETY INSTRUCTIONS

Read Instructions: All the safety and operating instructions should be read before the appliance is operated.

Retain Instructions: The safety and operating instructions should be retained for future reference.

Heed Warnings: All warnings on the appliance and in the operating instructions should be adhered to.

Follow Instructions: All operating and use instructions should be followed.

Water and Moisture: The appliance should not be used near water— for example, near a bathtub, washbowl, kitchen sink, laundry tub, in a wet basement, or near a swimming pool, etc.

Wall or Ceiling Mounting: The appliance should be mounted to a wall or ceiling only recommended by the manufacturer.

Heat: The appliance should be situated away from heat sources such as radiators, heat registers, stoves, or other appliances (including amplifiers) that produce heat.

Power Supply: The appliance should be connected to a power supply only of the type described in the operating instructions or as marked on the appliance.

Cleaning: The appliance should be cleaned only as recommended by the manufacturer.

Power Lines: An outdoor antenna should be located away from power lines.

Outdoor Antenna Grounding: If an outside antenna is connected to the receiver, be sure the antenna system is grounded so as to provide some protection against voltage surges and built up static charges. Section 810 of the National Electrical Code, ANSI/NFPA no. 70-1983, provides information with respect to proper grounding of the mast and supporting structure, grounding of the lead-in wire to an antenna discharge unit, size of grounding conductors, location of antenna-discharge unit, connection to grounding electrodes, and requirements for the grounding electrode. See figure 1.

Object and Liquid Entry: Care should be taken so that objects do not fall and liquids are not spilled into the enclosure through openings.

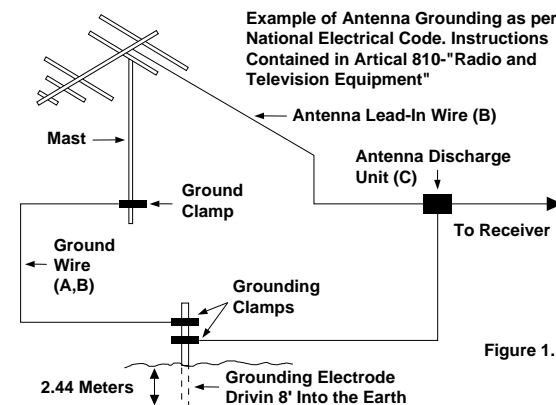


Figure 1.

A) Use No. 10 AWG (5.3mm²) copper, No 8 AWG (8.4mm²) aluminum, No. 17 AWG (1.0mm²) copper clad steel or bronze wire, or larger, as ground wire.

B) Secure antenna lead-in and ground wires to house with stand-off insulators spaced from 4 feet (1.22m) to 6 feet (1.83m) apart.

C) Mount antenna discharge unit as close as possible to where lead-in enters house.

OPERATION AND MAINTENANCE

Damage Requiring Service: The appliance should be serviced by qualified service personnel when:

- A. The power supply cord or the plug has been damaged; or
- B. Objects have fallen, or liquid has spilled into the appliance; or
- C. The appliance has been exposed to rain; or
- D. The appliance does not appear to operate normally or exhibits a marked change in performance; or
- E. The appliance has been dropped, or the enclosure damaged.

Servicing: The user should not attempt to service the appliance beyond that described in the operating instructions. All other servicing should be referred to qualified service personnel.

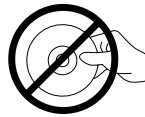
Caution:

Compact disc should be stored in a container or vinyl bag to prevent contamination. Disc should not be placed in locations exposed to sunlight or heat.

Warnings



Handle CD's Properly



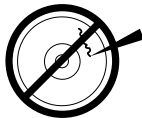
Do Not Touch CD's



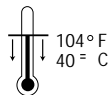
Do Not Get Dirt on CD's



Do Not Write on CD's



Do Not Scratch CD's



Keep Below 104° Fahrenheit



Do Not Bend CD's

WARRANTY

ONE (1) YEAR LIMITED WARRANTY

Magnadyne Corporation or its authorized agents will within 1 year from the date of sale to you, repair, replace or refund the retail sales price of said product or any part thereof, at the option of the Magnadyne Corporation or its authorized agents, if said product or part is found defective in materials or workmanship, when properly connected and operating on the correct power requirements designated for the specific product. This warranty and Magnadyne Corporation or its authorized agents obligations hereunder do not apply where the product was; damaged while in the possession of the consumer, subjected to unreasonable or unintended use, not reasonably maintained, utilized in commercial or industrial operations, or serviced by anyone other than Magnadyne Corporation or its authorized agents, or where the warning seal on the product is broken or the power and/or plugs are detached from the unit. Magnadyne Corporation or any of its authorized agents will not assume any labor costs for the removal and re-installation of any product found to be defective, or the cost of transportation to Magnadyne Corporation or its authorized agents. Such costs are the sole responsibility of the purchaser.

This warranty does not cover the cabinet appearance items or accessories used in connection with this product, or any damaged to recording or recording tape, or any damage to the to the products resulting from improper installation, alteration, accident, misuse, abuse or acts of nature.

MAGNADYNE CORPORATION OR ITS AUTHORIZED AGENTS SHALL NOT BE LIABLE TO ANYONE FOR CONSEQUENTIAL OR INCIDENTAL DAMAGES OR CLAIMS EXCEPT THOSE ACCORDED BY LAW. NO EXPRESSED WARRANTY OR IMPLIED WARRANTY IS GIVEN EXCEPT THOSE SET FORTH HEREIN. NO IMPLIED WARRANTY SHALL EXTEND BEYOND 1 YEAR FROM THE DATE OF SALE.

This warranty extends only to the original purchaser of the product and is not transferable.

Some states do not allow limitations on how long an implied warranty lasts, and some states do not allow the exclusion or limitation of incidental or consequential damages, so the above limitations or exclusion may not apply to you. This warranty gives you specific legal rights, and you may have other rights that vary from state to state.

Defective merchandise should be returned to the original point of purchase or secondly, to Magnadyne Corporation, 1111 W. Victoria Street, Compton CA 90220. Return Authorization must be obtained before sending, or merchandise may be refused.

Free Manuals Download Website

<http://myh66.com>

<http://usermanuals.us>

<http://www.somanuals.com>

<http://www.4manuals.cc>

<http://www.manual-lib.com>

<http://www.404manual.com>

<http://www.luxmanual.com>

<http://aubethermostatmanual.com>

Golf course search by state

<http://golfingnear.com>

Email search by domain

<http://emailbydomain.com>

Auto manuals search

<http://auto.somanuals.com>

TV manuals search

<http://tv.somanuals.com>