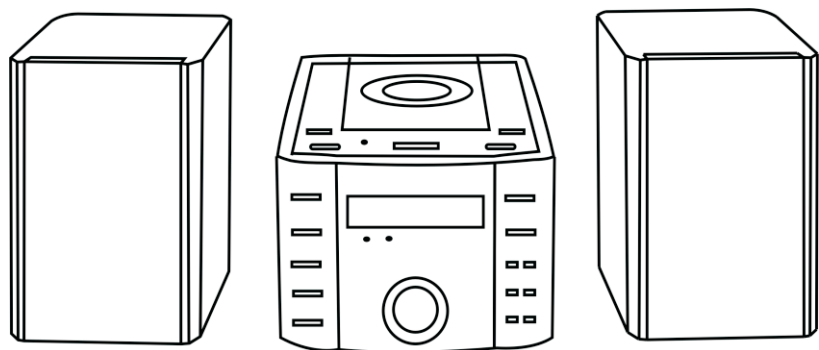


MAGNASONIC[®]

MS857Á

CD Micro System with AM/FM Radio

Instruction ManualÁ







Thank you for your purchase of this Magnasonic product.
Please read this Instruction Manual carefully before using product
to ensure proper use. Keep this manual in a safe place for future
reference.

www.magnasonic.com

IMPORTANT SAFETY INSTRUCTIONS

WARNING

TO PREVENT ELECTRIC SHOCK; DO NOT USE THIS PLUG WITH AN EXTENSION CORD RECEPTACLE OR OTHER OUTLET UNLESS THE BLADES CAN BE FULLY INSERTED TO PREVENT BLADE EXPOSURES. TO PREVENT FIRE OR SHOCK HAZARD; DO NOT EXPOSE THIS PRODUCT TO RAIN OR MOISTURE. DO NOT INSTALL THIS PRODUCT IN A CONFINED SPACE SUCH AS A BOOK CASE OR SIMILAR UNIT.

	CAUTION RISK OF ELECTRIC SHOCK DO NOT OPEN	
 	<p>CAUTION</p> <p><i>The lightning flash with arrowhead symbol, within an equilateral triangle, is intended to alert the user to the presence of uninsulated "dangerous voltage" within the products enclosure that may be of sufficient magnitude to constitute a risk of electric shock to persons. The exclamation point within an equilateral triangle is intended to alert the user to the presence of important operating and maintenance (servicing) instructions in the literature accompanying this product.</i></p>	
<p>WARNINGS: To reduce the risk of fire or electric shock, do not expose this product to rain or moisture. DO NOT REMOVE COVER or OPEN THE CABINET</p> <p>Dangerous high voltages are present inside the enclosure. No user serviceable parts inside. Refer servicing to qualified personnel only. Use of controls, adjustments or performance of procedures other than those specified may result in hazardous radiation exposure.</p>		

LASER SAFETY

This product uses a laser. To avoid possible eye injuries, only a qualified service professional should remove the cover or attempt to service this product.

CAUTION: USE OF CONTROLS OR ADJUSTMENTS OF PERFORMANCE, OR PROCEDURES OTHER THAN THOSE SPECIFIED HEREIN MAY RESULT IN HAZARDOUS RADIATION EXPOSURE.

DA NGER



INVISIBLE LASER RADIATION WHEN OPEN, AND INTERLOCK FAILED OR DEFEATED. AVOID DIRECT EXPOSURE TO LASER BEAM.

IMPORTANT SAFETY INSTRUCTIONS

CAUTION: RETAIN THIS MANUAL FOR FUTURE REFERENCE

This product has been designed and manufactured to assure personal safety.

Improper use can result in electric shock or fire hazard. The safeguards incorporated in this product will protect you if you observe the following procedures for installation, use, and servicing. This product does not contain any parts that can be repaired by the user.

1. Read these instructions.
2. Keep these instructions.
3. Heed all warnings.
4. Follow all instructions.
5. Do not use this product near water.
6. Clean only with a dry cloth.
7. Clean the screen only with a specified cleaning solution for use with products such as laptops and computer monitors. These are available at most retail consumer electronics stores. Do not clean the inside of this product.
8. Check that the power voltage stated on the rating label corresponds to your local electricity supply. The rating and caution labels are located at the bottom of this product.
9. Do not block any ventilation openings. Install in accordance with the manufacturer's instructions.
10. Do not place this product near any heat sources such as radiators, heat registers, stoves or other apparatus (including amplifiers) that produce heat.
11. Do not immerse this product, the power cord or any accessories in water or any other liquid. Also, this product shall not be exposed to dripping or splashing, and no objects filled with liquids, such as vases, shall be placed on this product.
12. Unplug the power adaptor from the wall when the product is unused for a long period of time and during thunderstorms.

IMPORTANT SAFETY INSTRUCTIONS

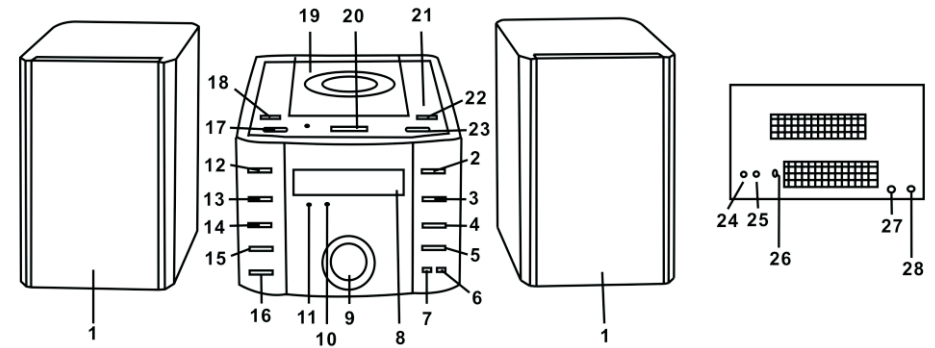
13. Only use attachments / accessories specified by the manufacturer.
14. Unwind and straighten the power cord before use.
15. Do not defeat the safety purpose of the polarized or grounding type plug. A polarized plug has two blades with one wider than the other. A grounding type plug has two blades and a third grounding prong. The wide blade or third prong are provided for your safety. When the provided plug does not fit into your outlet, consult an electrician for replacement of the obsolete outlet.
16. Protect the power cord from being walked on or pinched particularly at plugs, convenience receptacles, and the point where they exit from this product.
17. To completely disconnect the power input, the mains plug of this product should be disconnected from the wall outlet. The mains plug of this product should not be obstructed and should be easily accessible during use.
18. **Damage Requiring Service**
Unplug the power cord and refer servicing to qualified service professional under the following conditions:
 - A. If liquid has been spilled on or into the product.
 - B. If the product has been exposed to rain, water, or other liquids.
 - C. If the product does not operate normally by following the operating instructions. Adjust only those controls that are covered by the operating instructions. Improper adjustment of other controls may result in damage and will often require extensive work by a qualified technician to restore the product to its normal operation.
 - D. If the product has been dropped or damaged in any way.
 - E. When the product exhibits a distinct change in performance. This may indicate a need for service.
19. **Servicing**
Do not attempt to service this product yourself as opening or removing covers may expose you to dangerous voltages or other hazards. Refer all servicing to a qualified service professional.
20. **Replacement Parts**
When replacement parts are required, be sure the service technician has used replacement parts specified by the manufacturer, or have the same characteristics as the original parts. Unauthorized substitutions may result in fire, electric shock, or other hazards.
21. **Safety Check**
Upon completion of any service or repairs to this product, ask the service technician to perform safety checks to determine that the product is in proper operating condition.

TABLE OF CONTENTS

IMPORTANT SAFETY INSTRUCTIONS	i-ii
TABLE OF CONTENTS	1
PRODUCT INFORMATION	2
LOCATION OF CONTROLS	2
PACKAGING CONTENTS	2
PRODUCT SPECIFICATIONS	2
OPERATING INSTRUCTIONS	3-4
CONNECTING THE LOUDSPEAKERS	3
AC OPERATION	3
RADIO OPERATION	3
SETTING THE CORRECT TIME	3
SETTING THE ALARM TIME	3
WAKE TO RADIO	3
WAKE TO BUZZER	3
CD OPERATION	4
Skip Track During Play Mode	4
Search Track During Play Mode	4
Programming the Presets Memory	4
Pause Mode	4
Repeat Function	4
AUX-IN OPERATION	4
CARE AND MAINTENANCE	5
CARING FOR YOUR SYSTEM	5
COMPACT DISC CARE	5
TROUBLESHOOTING	5
WARRANTY INFORMATION	6

PRODUCT INFORMATION

LOCATION OF CONTROLS



- | | |
|-----------------------------------|---|
| 1. Speaker Boxes | 16. Minute Set Button |
| 2. CD Stop Button | 17. Function Switch
(ALARM - AUTO - AUX-IN/RADIO - CD) |
| 3. CD Play/Pause Button | 18. Power Button |
| 4. CD Skip/Search Forward Button | 19. CD Compartment |
| 5. CD Skip/Search Backward Button | 20. Volume Control Dial |
| 6. CD Repeat Button | 21. CD Door Close Lock |
| 7. CD Program Button | 22. CD Door Open Button |
| 8. LCD Display | 23. Band Switch |
| 9. Tuning Control Dial | 24. Right Speaker Jack |
| 10. FM Stereo Indicator | 25. Left Speaker Jack |
| 11. Power Indicator | 26. AUX-IN Jack |
| 12. Alarm On/Off Button | 27. AC Power Cord Jack |
| 13. Alarm Set Button | 28. FM Antenna Jack |
| 14. Time Set Button | |
| 15. Hour Set Button | |

PACKAGING CONTENTS

- CD Micro System with AM/FM Radio
- AC Power Cord
- Instruction Manual

PRODUCT SPECIFICATIONS

- Top Loading Stereo CD Player with Repeat Functions
- Wooden Speaker Cabinets for Better Quality Sound
- CD±R/RW Compatible
- AUX Input Jack for use with Mp3 Players and PC's (AUX cable not included)
- Program up to 20 Tracks
- AM/FM Tuner
- LCD Alarm Clock - Wake to Buzzer or Radio
- CD/AUX/Radio Selector
- AC Operation

Unit Size (W x D x H): 150 x 220 x 120 mm
 Speaker Size (W x D x H): 105 x 105 x 170 mm (each)
 Weight: 3.2 kg
 Colour: Black

Power Source: AC 120V ~ 60Hz
 Frequency Range: FM 88 - 108 Mhz
 AM 540 - 1600 KHz

*Specifications are subject to change without notice.

OPERATING INSTRUCTIONS

CONNECTING THE LOUDSPEAKERS

Connect the cables of the two speakers to the corresponding right ("R") and left ("L") input jacks on the back of the unit.

WARNING:

- Please ensure that both speakers are firmly connected to the main unit before use. Do not attempt to connect or disconnect the speakers while the unit is in use. Doing so may cause damage to the speakers or the main unit.
- Only use this unit with the speakers supplied. Using other speakers may cause damage to the speakers or the main unit.

AC OPERATION

Before operating, please ensure that the voltage of this unit (located on the rating label found on the rear of this unit) corresponds to the voltage of your electrical outlet. If you are unsure of the voltage of your electrical outlet, please contact an electrician.

After you have connected the supplied power cord to the rear of this unit, press the **Power Button** to power on/off this unit.

WARNING:

- Do not plug or unplug the power cable when your hands are wet. Doing so may cause serious injury, or damage to this unit.
- When disconnecting the power cord from the electrical outlet, grasp the plug; do not pull on the cord. Doing so may damage the cord causing a risk of electric shock.

RADIO OPERATION

1. Slide the **Function Switch** to the "RADIO/AUX-IN" position.
2. Set the **Band Switch** to the either the "AM, FM or FM ST." position.
3. Adjust the **Tuning Control Dial** to tune into your preferred radio station.
4. Adjust the **Volume Control Dial** to your preferred listening level.

SETTING THE CORRECT TIME

Press and hold the **Time Set Button**. While holding the **Time Set Button**, press the **Hour** and **Minute Set Buttons** to adjust the correct time. Once you have adjusted the time, release the **Time Set Button** to confirm the adjusted time.

SETTING THE ALARM

Press and hold the **Alarm Set Button**. While holding the **Alarm Set Button**, press the **Hour** and **Minute Set Buttons** to adjust the desired alarm time. Once you have adjusted the alarm time, release the **Alarm Set Button** to confirm the adjusted alarm time; the display will default back to the current time.

WAKE TO RADIO

Ensure you have set the desired alarm time (Refer to **SETTING THE ALARM**).

1. Slide the **Function Switch** to the "AUTO" position.
2. Press the **Alarm On/Off Button** once to activate the alarm function. The display will show "☀" to indicate the alarm is on. Press the **Alarm On/Off Button** again to deactivate the alarm function.
3. Ensure you have selected your preferred radio station, and set the volume to your preferred listening level. Your unit will now turn on at the pre-selected alarm time.

WAKE TO BUZZER

Ensure you have set the desired alarm time (Refer to **SETTING THE ALARM**).

1. Slide the **Function Switch** to the "ALARM" position.
2. Press the **Alarm On/Off Button** once to activate the alarm function. The display will show "☀" to indicate the alarm is on. Press the **Alarm On/Off Button** again to deactivate the alarm function.
3. Your unit will now turn on at the pre-selected alarm time, and the buzzer will sound for 3 minutes.

OPERATING INSTRUCTIONS

CD OPERATION

Playing a Compact Disc:

1. Slide the **Function Switch** to the "CD" position.
2. Press the **CD Door Open Button** to open the CD door.
3. Insert a CD with the label side facing up, and gently close the CD door.
4. After a few seconds, the display will show the disc information (total number of tracks).
5. Press the **Play/Pause Button** to play the CD.
6. Adjust the **Volume Control Dial** to your preferred listening level.
7. Press the **Stop Button** to end CD playback.

Skip Track During Play Mode

1. Press the **Skip ►► Button** once to skip to the beginning of the next track.
2. Press the **Skip ◀◀ Button** once to skip to the beginning of the current track.
3. Quickly press the **Skip ◀◀ Button** twice or more in succession to go to the previous tracks.

Search Track During Play Mode

1. Press and hold the **Search ◀◀ or ►► buttons** to quickly advance or reverse through the music at a high speed.
2. Release the **Search Button** to return to normal playback.

Programming the Presets Memory

The Presets Memory should be programmed during stop mode.

1. Press the **Program Button** to begin program entry; the display will flash.
2. Press the **Skip ◀◀ or ►► Button** to select a track.
3. Press the **Program Button** again to store the track in the Presets Memory.
4. Repeat steps 2 - 3 to enter more tracks into the Presets Memory. Up to 20 tracks can be programmed.
5. When you have completed programming the tracks, press the **Play/Pause Button** to play the disc in the programmed order.
6. Press the **Stop Button** to end playback.
7. To cancel, press the **Stop Button** and then the **CD Door Open Button**, to open the CD door. You can also slide the **Function Switch** to the "AUX-IN/RADIO" position.

Pause Mode

1. While playing a CD, press the **Play/Pause Button** once to temporarily pause CD playback.
2. Press the **Play/Pause Button** again to resume CD playback.

Repeat Function

- To repeat the same track: Press the **Repeat Button** during playback or stop mode. "↺" will appear on the display.
- To repeat the whole disc: Press the **Repeat Button** twice during playback or stop mode. "ALL ↺" will appear on the display.
- To release the repeat play function: press the **Repeat Button** again, until the symbol disappears.

Note: In stop mode, pressing the Play/Pause Button is required to start repeat mode.

AUX-IN OPERATION

1. Insert a stereo audio cable with 3.5 mm plug (not included) into the Line Out Jack or Headphone Jack on your Digital Audio Device (CD or MP3 Player). Now insert the other end into the AUX-IN Input Jack on the rear of this product.
2. Slide the **Function Switch** to the "AUX-IN/RADIO" position.
3. Ensure that your device is turned on, and if applicable, set it to the AUX setting. For further assistance, refer to the instruction manual for your Digital Audio Device.
4. To stop AUX-IN operation, simply turn off the attached Digital Audio Device, or switch the **Function Switch** to different mode.

Note: Since the Radio and AUX-IN modes share the same position on the **Function Switch**, ensure you do not have a Digital Audio Device connected to the AUX-IN jack when you want to listen to the radio.

CARE AND MAINTENANCE

CARING FOR YOUR SYSTEM

It is recommended to clean your system cabinet and speakers regularly. Before cleaning, ensure the unit is turned off, and the power cord is disconnected from the electrical outlet. To clean the unit, use only a clean dry cloth. Never use cleaning solutions or liquids to clean this unit.

COMPACT DISC CARE

To remove a disc from its storage case, press down on the centre of the case and lift the disc out, holding it carefully by the edges.



Fingerprints and dust should be carefully wiped off the disc's recording surface with a soft cloth. Unlike conventional records, compact discs have no grooves to collect dust and microscopic debris, so gently wiping the surface with a soft cloth should remove most particles. Wipe in a straight line from the inside to the outside of the disc. Small dust particles and light stains will have absolutely no effect on reproduction quality.



- Clean your discs periodically with a soft, lint-free, dry cloth. Never use detergents or abrasive cleaners to clean your disc's. If necessary, use a CD Cleaning Kit.
- Never write on or affix labels to the playing surface of your discs.
- Install only one disc in the disc compartment at a time.
- Do not try to close the CD door if the disc is not installed properly.

TROUBLESHOOTING

If you are experiencing technical problems with this unit; before requesting service, check the chart below for a possible cause of the problem you are experiencing. Some simple checks or a minor adjustment on your part may eliminate the problem and restore proper operation.

If you are unsure about some of the remedies indicated below, or they are unable to resolve your problem, please contact MAGNASONIC's customer support centre at 1-800-663-5954, or visit www.magnasonic.com.

Problem	Probable Cause(s)	Suggested Remedy
No sound is heard when the power is switched to ON.	<ul style="list-style-type: none"> ■ The power cord plug is not completely inserted. ■ Connections are incomplete or incorrect to the speakers. ■ The Function Switch is set incorrectly. 	<ul style="list-style-type: none"> ■ Confirm that the power cord is connected completely. ■ Check that all connections are correct. ■ Set the Function Switch to the correct position.
When listening to stereo sound, the sound lacks depth (i.e. thin bass / tinny sound).	<ul style="list-style-type: none"> ■ One of the speakers polarities (+ / -) connections is incorrect. 	<ul style="list-style-type: none"> ■ Reconnect the speaker, matching the appropriate connections.
When listening to stereo sound, the left and right sounds are reversed.	<ul style="list-style-type: none"> ■ The left and right speaker connections, or source connections are reversed. 	<ul style="list-style-type: none"> ■ Check all connections and correct them if necessary.
A low-pitched noise ("hum" or "buzz") is heard.	<ul style="list-style-type: none"> ■ An electronic device, fluorescent light, etc., is near the connection wires. 	<ul style="list-style-type: none"> ■ Try moving this unit away from other devices that may be causing static noise.

WARRANTY INFORMATION

MAGNASONIC® WARRANTY

Thank you for choosing MAGNASONIC® Consumer Electronics Products!

MAGNASONIC gives the following express warranty to the original consumer purchaser or gift recipient for this MAGNASONIC product, when shipped in its original container and sold or distributed by MAGNASONIC or by an Authorized MAGNASONIC Dealer: MAGNASONIC warrants that this product is free, under normal use and maintenance, from any defects in material and workmanship. If any such defects should be found in this product within the applicable warranty period, MAGNASONIC shall, at its option, repair or replace the product as specified herein. Replacement parts furnished in connection with this warranty shall be warranted for a period equal to the unexpired portion of the original equipment warranty.

This warranty shall not apply to:

- A. Any defects caused or repairs required as a result of abusive operation, negligence, accident, improper installation or inappropriate use as outlined in the owner's manual.
- B. Any MAGNASONIC product tampered with, modified, adjusted or repaired by any party other than MAGNASONIC or MAGNASONIC's Authorized Service Centres.
- C. Damage caused or repairs required as a result of the use with items not specified or approved by MAGNASONIC, including but not limited to head cleaning tapes and chemical cleaning agents.
- D. Any replacement of accessories, glassware, consumable or peripheral items required through normal use of the product including but not limited to earphones, remote controls, AC adapters, batteries, stylus, trays, filters, cables, paper, cabinet, cabinet parts, knobs, buttons, baskets, stands and shelves.
- E. Any cosmetic damage to the surface or exterior that has been defaced or caused by normal wear and tear.
- F. Any damage caused by external or environmental conditions, including but not limited to transmission line/power line voltage or liquid spillage.
- G. Any product received without appropriate model, serial number and CSA /cUL /cULus /cETL /cETLus markings.
- H. Any products used for rental or commercial purposes.
- I. Any installation, setup and/or programming charges.

Should this MAGNASONIC product fail to operate during the warranty period, warranty service may be obtained upon delivery of the MAGNASONIC product together with proof of purchase and a copy of this LIMITED WARRANTY statement to an Authorized MAGNASONIC Service Centre. In-home warranty service may be provided at MAGNASONIC's discretion on any MAGNASONIC television with the screen size of 40" or larger. This warranty constitutes the entire express warranty granted by MAGNASONIC and no other dealer, service centre or their agent or employee is authorized to extend, enlarge or transfer this warranty on behalf of MAGNASONIC. To the extent the law permits, MAGNASONIC disclaims any and all liability for direct or indirect damages or losses or for any incidental, special or consequential damages or loss of profits resulting from a defect in material or workmanship relating to the product, including damages for the loss of time or use of this MAGNASONIC product or the loss of information. The purchaser will be responsible for any removal, reinstallation, transportation and insurance costs incurred. Correction of defects, in the manner and period of time described herein, constitute complete fulfillment of all obligations and responsibilities of MAGNASONIC Electronics to the purchaser with respect to the product and shall constitute full satisfaction of all claims, whether based on contract, negligence, and strict liability or otherwise.

1 YEAR PARTS & LABOUR WARRANTY PERIODS

TO OBTAIN THE NAME AND ADDRESS OF THE NEAREST AUTHORIZED MAGNASONIC SERVICE CENTRE OR FOR MORE INFORMATION ON THIS WARRANTY

Contact MAGNASONIC Support by Email: support@MAGNASONIC.com

Visit www.MAGNASONIC.com

Mail your inquiry to:

MAGNASONIC Customer Service, 4080 Montrose Road, Niagara Falls, ON L2H 1J9

Free Manuals Download Website

<http://myh66.com>

<http://usermanuals.us>

<http://www.somanuals.com>

<http://www.4manuals.cc>

<http://www.manual-lib.com>

<http://www.404manual.com>

<http://www.luxmanual.com>

<http://aubethermostatmanual.com>

Golf course search by state

<http://golfingnear.com>

Email search by domain

<http://emailbydomain.com>

Auto manuals search

<http://auto.somanuals.com>

TV manuals search

<http://tv.somanuals.com>