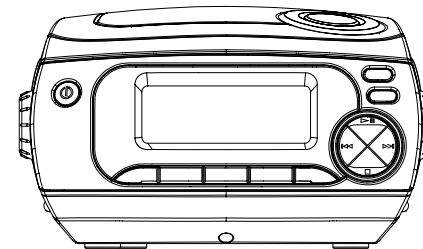


MAGNASONIC

CRD1180M

Dual Alarm CD Stereo Clock Radio





INSTRUCTION MANUAL

IMPORTANT SAFETY INSTRUCTIONS

WARNING:

- TO PREVENT FIRE OR SHOCK HAZARD. DO NOT EXPOSE THIS APPLIANCE TO RAIN OR MOISTURE.
- THIS APPLIANCE SHALL NOT BE EXPOSED TO DRIPPING OR SPLASHING WATER AND THAT NO OBJECT FILLED WITH LIQUIDS SUCH AS VASES SHALL BE PLACED ON APPARATUS.

 <p>The symbol of a lightning flash with arrowhead inside an equilateral triangle is intended to alert the user to the presence of uninsulated "dangerous voltage" within the product's enclosure, which may be of sufficient magnitude to constitute a risk of electric shock to people</p>	<p>CAUTION RISK OF ELECTRIC SHOCK DO NOT OPEN</p> <p>Warning: to reduce the risk of electric shock, do not remove the cover (or the back). There are no user-serviceable parts inside. Servicing should be performed by qualified service personnel.</p>	 <p>The exclamation point inside an equilateral triangle is intended to alert the user to the presence of important operating and maintenance (servicing) instructions in the literature accompanying the appliance.</p>
-------------------------------------------------------------------------------------------------------------------------------------------------------------------------------------------------------------------------------------------------------------------------------------------------------------------------------------------------------------------------------	---------------------------------------------------------------------------------------------------------------------------------------------------------------------------------------------------------------------------------------------------------------------------------------	-----------------------------------------------------------------------------------------------------------------------------------------------------------------------------------------------------------------------------------------------------------------------------------------------------------

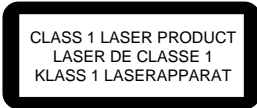
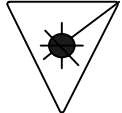
1. Read these instructions.
2. Keep these instructions.
3. Heed all warnings.
4. Follow all instructions.
5. Do not use this appliance near water.
6. Clean only with a dry cloth.
7. Do not block any ventilation openings. Follow the manufacturer's instructions for installation.
8. Do not install near radiators, heat registers, stoves, or other heat sources, including appliances that produce heat (e.g.: amplifiers).
9. Do not defeat the safety purpose of the polarized or grounding-type plug. A polarized plug has two blades, with one wider than the other. A grounding-type plug has two blades and a third grounding prong. The wide blade or the third prong are provided for your safety. If the plug that is provided does not fit into your outlet, consult an electrician in order to replace the obsolete outlet.
10. Protect the power cord from being walked on or pinched, especially at the plug, the outlet, and the point where it exits from the appliance.
11. Only use attachments/accessories that are specified by the manufacturer.
12. Unplug the appliance during lightning storms or when it will not be used for long periods of time.
13. All servicing must be performed by qualified personnel. Servicing is required when the appliance has been damaged in any way, for example, if the power cord or plug is damaged, if liquid has been spilled or objects have fallen into the appliance, if the appliance has been exposed to rain or moisture, if the appliance does not operate normally, or if the appliance has been dropped.
14. Do not expose this appliance to dripping or splashing water, and do not place objects filled with liquids, such as vases, on top of the appliance.

CAUTION: TO PREVENT ELECTRICAL SHOCK, MATCH THE WIDE BLADE OF THE PLUG TO THE WIDE SLOT, AND INSERT IT FULLY.

PRECAUTIONS

CAUTION:

- To avoid electric shock, this appliance must not be exposed to dripping or splashing water
- Maintain a minimum clearance around the appliance for sufficient ventilation;
- Ventilation should not be impeded by covering the ventilation openings with items such as newspapers, table-cloths, curtains, etc.
- Do not place any source of open flame, such as a lighted candle, on the appliance;
- Before discarding the appliance, remove the batteries and place them in a proper battery collection container.
- Caution Mark is located on bottom of product

<p>CAUTION CLASS 1 LASER PRODUCT</p> <p>Use of controls or adjustments, or performance of procedures other than those specified herein, may result in hazardous radiation exposure.</p>  <p>CLASS 1 LASER PRODUCT LASER DE CLASSE 1 KLASS 1 LASERAPPARAT</p> <p>CAUTION CLEANING: Always disconnect the appliance from the power supply before attempting to clean it. Use a soft cloth moistened with soapy water, and wipe gently. Do not use solvents or abrasive materials.</p>	<p>LASER SAFETY</p> <p>This appliance contains a laser. Only qualified service personnel should attempt to repair it.</p>  <p>DANGER: INVISIBLE LASER RADIATION WHEN THE APPLIANCE IS OPEN AND THE INTERLOCK IS FAILED OR DEFEATED. AVOID DIRECT EXPOSURE TO THE BEAM. CAUTION: HAZARDOUS LASER RADIATION WHEN THE APPLIANCE IS OPEN AND THE INTERLOCK IS DEFEATED.</p>
---------------------------------------------------------------------------------------------------------------------------------------------------------------------------------------------------------------------------------------------------------------------------------------------------------------------------------------------------------------------------------------------------------------------------------------------------------------------------------------------------------------------------------------------------------------------------------------------------------------------	-------------------------------------------------------------------------------------------------------------------------------------------------------------------------------------------------------------------------------------------------------------------------------------------------------------------------------------------------------------------------------------------------------------------------------------------------------------------------------------

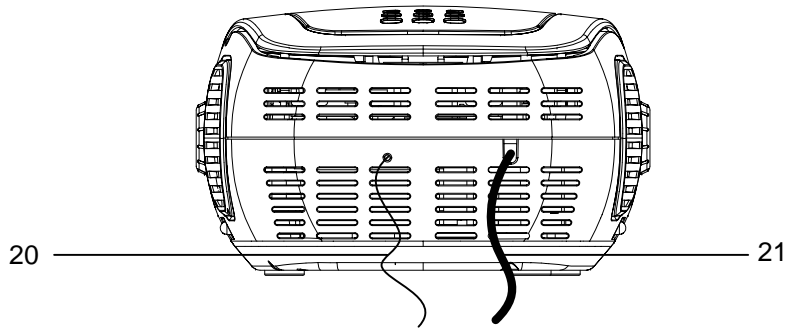
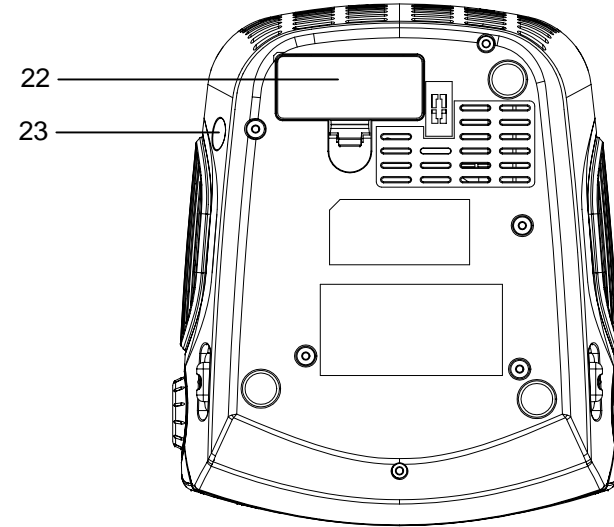
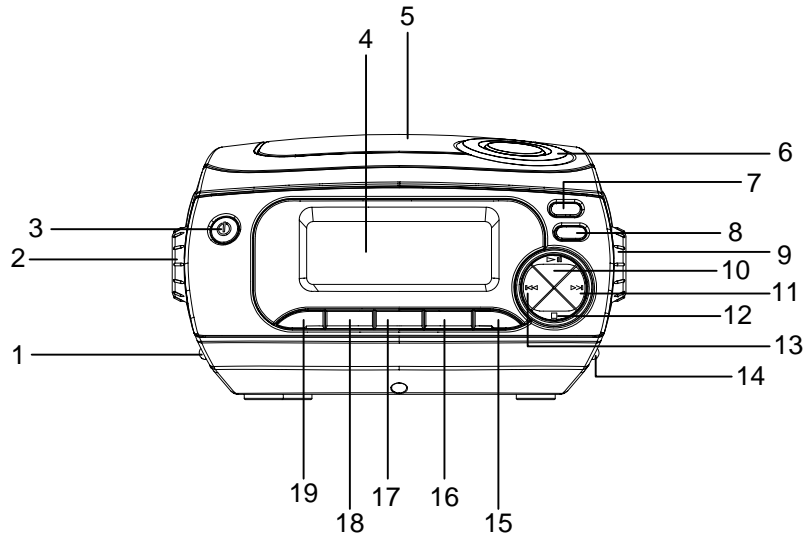
IMPORTANT

Since CD circuitry may cause interference to other radio or television tuners nearby, switch this unit off when not in use or move it away from the affected radio tuner.

NOTE: This digital apparatus does not exceed the Class B limits for radio noise emissions from digital apparatus as set out in the Radio Interference Regulations of Industry Canada. These limits are designed to provide reasonable protection against harmful interference in a residential installation. This equipment generates, uses and can radiate radio frequency energy and, if not installed and used in accordance with the instructions, may cause harmful interference to radio communications. However, there is no guarantee that interference will not occur in a particular installation. If this equipment does cause harmful interference to radio or television operation (which can be determined by turning the equipment off), the user is encouraged to try to correct the interference by one or more of the following measures:

- Reorient or relocate the receiving antenna.
- Increase the separation between the equipment and receiver.
- Connect the equipment into an outlet on a circuit different from that to which the receiver is connected.
- Consult the dealer or an experienced radio / TV technician for help.

This Class B digital apparatus complies with Canadian ICES-003.



- 1. FUNCTION Switch (CD/RADIO/BUZZER)
- 2. VOLUME Control
- 3. POWER Button
- 4. LCD Display
- 5. CD Door/REPEAT ALARM
- 6. CD Door Open Lid
- 7. ALARM 1 Button
- 8. ALARM 2 Button
- 9. TUNING Control
- 10. ►|| PLAY/PAUSE Button
- 11. ►► SKIP FORWARD Button

- 12. ■ STOP Button
- 13. ◀◀ SKIP BACKWARD Button
- 14. BAND Switch(AM/FM)
- 15. DISPLAY Button
- 16. SLEEP Button
- 17. PROG Button
- 18. REPEAT/RANDOM Button
- 19. CLOCK Button
- 20. FM Antenna Wire
- 21. AC Power cord

- 22. Battery Compartment
- 23. AUX IN Jack

POWER SUPPLY

This unit works with AC 120V, 60 Hz.

1. Connect AC power cable to wall outlet with 120V supply.
2. Insert two AAA 1.5V batteries into battery compartment for time back up in case of power failure.

RADIO OPERATION

1. Press POWER button .
2. Set FUNCTION switch to RADIO position.
3. Tune to your desired station with TUNING Control .
4. Adjust VOLUME to suit your personal listening preference.
5. To turn off the unit, press POWER button again.

ANTENNA

AM: This unit has a built-in Ferrite Antenna. For best results - turn unit to improve reception.

FM: For FM reception, fully extend the external FM wire antenna and adjust direction for optimum reception. Do not connect this wire to any outdoor antenna.

CD OPERATION

This unit is capable of playing standard CDs.

1. Press POWER button .
2. Select FUNCTION switch to CD position.
3. Lift up the CD door open lid to open CD door.
4. Insert a CD disc in the CD compartment with label facing upwards.
5. Close the CD door. The total number of tracks will be displayed. If a disc is inserted incorrectly, dirty, damaged or not music CD - display will show "nocd" and player will stop.
6. Press PLAY/PAUSE button ►|| to begin playback.
7. Press STOP button ■ to stop playback.

PAUSE

The PLAYBACK can be stopped temporarily at any time by pressing PLAY/PAUSE button once. Press PLAY/PAUSE button once more to resume playback.

FORWARD/BACKWARD/SKIP

1. Press SKIP FORWARD button ►► to skip ahead to the beginning of the next track. Press this button again for each additional track you want to skip.
2. Press SKIP BACKWARD button ◄◄ to skip back to beginning of the current track. Press this button again to the beginning of the previous track.

DISPLAY

In CD or RADIO mode, press the DISPLAY button, the display will shown the number of current track and the current station.

RANDOM/REPEAT

The CD player can play "RANDOM", "REP.", "REP. ALL" and "RANDOM REP. ALL" by press RANDOM/REPEAT button repeatedly.

PROGRAM

The programming function is used to pre-set the order of the tracks to be played.

1. Press the POWER button.
2. Set the FUNCTION switch to the CD position.
3. Lift up the CD door lid in order to open the CD door.
4. Insert the CD, with the label facing upward.
5. Close the CD door. The total number of tracks on the CD will be shown on the display. If the disc is inserted incorrectly, or if it is dirty or damaged, or if it is not a music CD, the display will show " nocd " , and the player will stop.
6. Press the PROG. button. The "01 " and "PROG " icon will be shown on the display, and will be blinking.
7. Press the SKIP►► / ◄◄ button in order to choose the track that you would like to play. Press the PROG. button again in order to finish the programming for the first track.
8. Repeat step " 7 " in order to program the other tracks. A maximum of 20 tracks can be programmed.
9. To clear the program memory, press the STOP button ■
10. Once you have finished programming, press the PLAY/PAUSE button ►|| . The tracks will play in the programmed order, and the corresponding track number will be displayed.
11. You can move forward and backwards through the programmed tracks (see Forward/ Backward/SKIP), or temporarily stop playback (see Pause). To stop playback, press the STOP button ■ .

Note: Pressing the SKIP ◄◄ or ►► button during programmed playback will only skip through the tracks that have been programmed.

AUX IN

You can connect an external audio player to this jack in order to use the playback function. Note: When a device is connected to the AUX IN jack, the current source from the CD or RADIO will be cut off automatically.

SETTING THE CLOCK TIME

1. The CLOCK uses the 12 HR format.
2. Press and hold the CLOCK button. The hour digit will begin to flash. Press the SKIP ►► or ◄◄ button in order to adjust the hour.
3. Press the CLOCK button again, the minute digit will begin to flash. Press the SKIP ►► or ◄◄ button in order to adjust the minutes.
4. Press the CLOCK button once more in order to confirm the clock setting.

SETTING THE ALARM TIME

1. This appliance can be set to two ALARM times for CD or RADIO or BUZZER.
2. Set the FUNCTION switch to the CD or RADIO or BUZZER position.
3. Press and hold the ALARM 1 or ALARM 2 button. The hour digit will begin to flash.
4. Set the ALARM 1 and ALARM 2 time following the same procedure used to set the clock time.
5. While CD track flashing, press ►► or ◄◄ button to select your desired track for alarm wake-up

Note: To cancel the ALARM for next day, press the ALARM buttons until the "AL1" or "AL2" icons disappear from the display.

REPEAT ALARM

When the buzzer sounds or your CD or Radio comes on, you can press the REPEAT ALARM to turn them off for 6 minutes. The alarm buzzer or radio or CD will then turn itself on again. This function can be repeated for 60 minutes, it will then be silent until the next alarm or until the POWER button has been pressed. (this means that your Alarm, Radio or CD is set to wake you up the same time the following day).

SLEEP

Press the SLEEP button, the display will show → "90" → "80" → "70" "10". Select the amount of time that you desire. The power will be turned off when the selected amount of time has elapsed. If you wish to turn off the unit before the SLEEP time has elapsed, press the POWER button.

TECHNICAL DETAILS:

Power:	AC 120 V / 60 Hz
Radio Frequency:	AM: 540 - 1700 kHz FM: 88 - 108 MHz
Speakers:	2 x 8 Ohm

MAGNASONIC® WARRANTY

Consumer Electronics, Home Appliances and Home Office Products

Thank you for choosing MAGNASONIC®!

SYNNEX Canada Limited gives the following express warranty to the original consumer purchaser or gift recipient for this MAGNASONIC product, when shipped in its original container and sold or distributed in Canada by SYNNEX Canada Limited or by an Authorized MAGNASONIC Dealer:

SYNNEX Canada Limited warrants that this product is free, under normal use and maintenance, from any defects in material and workmanship. If any such defects should be found in this product within the applicable warranty period, SYNNEX Canada Limited shall, at its option, repair or replace the product as specified herein. Replacement parts furnished in connection with this warranty shall be warranted for a period equal to the unexpired portion of the original equipment warranty.

This warranty shall not apply to:

- a. Any defects caused or repairs required as a result of abusive operation, negligence, accident, improper installation or inappropriate use as outlined in the owner's manual.
- b. Any MAGNASONIC product tampered with, modified, adjusted or repaired by any party other than SYNNEX Canada Limited or MAGNASONIC's Authorized Service Centres.
- c. Damage caused or repairs required as a result of the use with items not specified or approved by SYNNEX Canada Limited, including but not limited to head cleaning tapes and chemical cleaning agents.
- d. Any replacement of accessories, glassware, consumable or peripheral items required through normal use of the product including but not limited to earphones, remote controls, AC adapters, batteries, temperature probe, stylus, trays, filters, cables, paper, cabinet, cabinet parts, knobs, buttons, baskets, stands, shelves, cookware and cooking utensils.
- e. Any cosmetic damage to the surface or exterior that has been defaced or caused by normal wear and tear.
- f. Any damage caused by external or environmental conditions, including but not limited to transmission line/power line voltage or liquid spillage.
- g. Any product received without appropriate model, serial number and CSA /cUL /cULus /cETL /cETLus markings.
- h. Any products used for rental or commercial purposes.
- i. Any installation, setup and/or programming charges.

Should this MAGNASONIC product fail to operate during the warranty period, warranty service may be obtained upon delivery of the MAGNASONIC product together with proof of purchase and a copy of this LIMITED WARRANTY statement to an Authorized MAGNASONIC Service Centre. In-home warranty service may be provided at SYNNEX Canada Limited's discretion on any MAGNASONIC television with the screen size of 27" or larger. This warranty constitutes the entire express warranty granted by SYNNEX Canada Limited and no other dealer, service centre or their agent or employee is authorized to extend, enlarge or transfer this warranty on behalf of SYNNEX Canada Limited. To the extent the law permits, SYNNEX Canada Limited disclaims any and all liability for direct or indirect damages or losses or for any incidental, special or consequential damages or loss of profits resulting from a defect in material or workmanship relating to the product, including damages for the loss of time or use of this MAGNASONIC product or the loss of information. The purchaser will be responsible for any removal, reinstallation, transportation and insurance costs incurred. Correction of defects, in the manner and period of time described herein, constitute complete fulfillment of all obligations and responsibilities of SYNNEX Canada Limited to the purchaser with respect to the product and shall constitute full satisfaction of all claims, whether based on contract, negligence, strict liability or otherwise.

CARRY-IN PARTS & LABOUR WARRANTY PERIODS:

- Audio Products: 1 Year (Remote Control, if applicable - 90 Days)
- DVD Products: 1 Year (Remote Control - 90 Days)
- LCD & Plasma Display TV: 1 Year (Remote Control - 90 Days)
- Television Products: 1 Year (Remote Control - 90 Days)
- VCR Products: 1 Year (Remote Control - 90 Days, Video Heads - 6 Months)
- Home Appliances: 1 Year
 - o Microwave Magnetron parts only additional 3 Years
 - o Refrigerator / Freezer Compressor parts only, additional 4 years
- Heating / Cooling & Humidification Products: 1 Year (Remote Control - 90 Days)
 - o Compressor parts only (if applicable), additional 4 years
- Home Office: 1 Year

To obtain the name and address of the nearest Authorized MAGNASONIC Service Centre or for more information on this warranty

- Visit www.magnasonic.ca
- Mail your inquiry to

SYNNEX Canada Limited
MAGNASONIC Customer Service
200 Ronson Drive, Toronto, ON M9W 5Z9; or

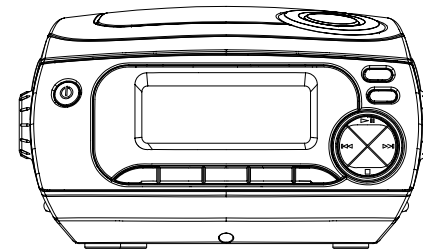
Call toll free 1-800-663-5954, Monday to Friday 9:00am - 5:00pm Eastern Time.

MAGNASONIC is a registered trade-mark
of SYNNEX Canada Limited
08.2007

MAGNASONIC

CRD1180M

*Radio-réveil stéréo à deux alarmes
avec lecteur CD*



GUIDE D'UTILISATION

IMPORTANTES CONSIGNES DE SÉCURITÉ

AVERTISSEMENT :

- AFIN D'ÉVITER TOUT RISQUE D'INCENDIE OU D'ÉLECTROCUTION, N'EXPOSEZ PAS CET APPAREIL A LA PLUIE NI A L'HUMIDITÉ.
- CET APPAREIL NE DOIT PAS ÊTRE EXPOSÉ A L'ÉGOUTTEMENT OU AUX ÉCLABOUSSURES DE LIQUIDE QUELCONQUE ET AUCUN OBJET REMPLI DE LIQUIDE, TEL UN VERRE D'EAU, NE DOIT ÊTRE PLACÉ DESSUS.

	ATTENTION RISQUE CHOC ELECTRIQUE NE PAS OUVRIR	
Le symbole représentant un éclair dans un triangle équilatéral a pour but d'avertir l'utilisateur du danger présenté par des pièces non isolées à l'intérieur de l'appareil et dont la tension est suffisante pour provoquer des décharges électriques dangereuses.	ATTENTION : POUR RÉDUIRE LE RISQUE DE CHOC ÉLECTRIQUE, NE TENTEZ PAS D'OUVRIR LE BOÎTIER DE CET APPAREIL CAR IL NE CONTIENT AUCUNE PIÈCE RÉUTILISABLE. CONFIEZ TOUTE RÉPARATION À DU PERSONNEL QUALIFIÉ.	Le point d'exclamation dans un triangle équilatéral a pour but d'avertir l'utilisateur que des instructions importantes relatives à l'utilisation et à l'entretien se trouvent dans le manuel accompagnant l'appareil.

1. Lisez attentivement toutes les directives contenues dans le présent guide.
2. Conservez ces instructions et le présent guide d'utilisation.
3. Respectez toutes les mises en garde.
4. Suivez toutes les directives.
5. N'utilisez pas l'appareil près de l'eau.
6. Essuyez et nettoyez l'appareil seulement à l'aide d'un chiffon sec non pelucheux.
7. Ne bloquez aucun des orifices de ventilation. Faites en sorte qu'il y ait une aération suffisante autour de l'appareil. Ne le placez pas sur un lit, un canapé ou quelque autre appareil (y compris un amplificateur) qui risque de nuire à une ventilation adéquate.
8. N'installez pas l'appareil à proximité d'une source de chaleur telle que radiateur, bouche à air chaud, cuisinière ou autre appareil (y compris les amplificateurs) qui produisent de la chaleur.
9. Ne tentez pas de défaire l'objectif de la fiche polarisée ou de mise à la terre dont est doté cet appareil. Une fiche polarisée possède deux broches dont l'une est plus large que l'autre. Une fiche de type mise à la terre possède deux broches, plus une troisième broche de terre. La broche plus large et la broche de terre sont destinées à garantir votre sécurité. Si la fiche – quel que soit le type – ne peut être insérée dans la prise de courant, demandez à un électricien de remplacer votre prise désuète. Tout remplacement de la fiche polarisée abaissera le niveau de sécurité des fiches.
10. Protégez le cordon d'alimentation contre tout risque de piétinement et de pincement, en particulier au niveau des prises, des prises multiples et du point de sortie du cordon de l'appareil.
11. Utilisez exclusivement les accessoires spécifiés par le fabricant.
12. Débranchez cet appareil pendant les orages électriques ou s'il doit rester inutilisé pendant une période de temps prolongée.
13. Confiez toute réparation ou entretien de cet appareil à du personnel qualifié. L'appareil doit être réparé lorsqu'il a été endommagé d'une manière quelconque, par exemple lorsque la fiche ou le cordon d'alimentation a été endommagé, lorsque du liquide a été renversé sur ou des objets sont tombés dans l'appareil, lorsque l'appareil a été exposé à la pluie ou à l'humidité, lorsqu'il ne fonctionne pas normalement ou s'il est tombé.
14. Cet appareil ne doit pas être exposé à l'égouttement ou aux éclaboussures de liquide quelconque et aucun objet rempli de liquide, tel un verre d'eau, ne doit être placé dessus.

ATTENTION : POUR ÉVITER LES CHOC ÉLECTRIQUES, IL EST NÉCESSAIRE D'INTRODUIRE LA LAME LA PLUS LARGE DE LA FICHE DANS L'ORIFICE CORRESPONDANT DE LA PRISE DE COURANT ET POUSSER JUSQU'AU FOND SANS LAISSER AUCUNE PARTIE À DÉCOUVERT.

F 1

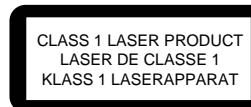
PRÉCAUTIONS À PRENDRE

ATTENTION :

- Pour éviter tout risque d'électrocution, cet appareil ne doit pas être exposé à un liquide qui s'égoutte ou éclabousse à proximité.
- Aménagez suffisamment d'espace autour de l'appareil pour que l'aération soit adéquate afin d'éviter toute surchauffe.
- Ne couvrez pas les orifices d'aération de l'appareil avec des objets tel du papier journal, une nappe, des rideaux, etc.
- Ne placez pas un objet comportant une flamme nue sur l'appareil, telle qu'une chandelle.
- Si vous jetez l'appareil aux ordures ménagères, assurez-vous de retirer d'abord les piles qu'il contient pour les confier au service de recyclage de votre quartier.
- Les avertissements et autres plaques signalétiques sont apposées sous le boîtier de l'appareil.

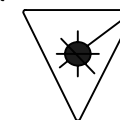
ATTENTION APPAREIL LASER CLASSE 1

L'utilisation des commandes, des réglages ou l'exécution de procédures qui ne sont pas spécifiées ni décrites dans ce document peuvent entraîner une exposition dangereuse au rayon laser.



PRÉCAUTION À PRENDRE AVEC LE LASER

Le présent appareil contient un dispositif de lecture au laser. Seul du personnel qualifié doit tenter de réparer ce dispositif.



DANGER : PRÉSENCE D'UN RAYONNEMENT DANGEREUX ET INVISIBLE LORSQUE L'APPAREIL EST OUVERT OU LE SYSTÈME DE VERRILLAGE EST DÉSACTIVÉ. ÉVITEZ TOUTE EXPOSITION DIRECTE AU FAISCEAU.

ATTENTION NETTOYAGE :

Débranchez toujours l'appareil du réseau électrique avant de le nettoyer. Pour ce faire, utilisez un chiffon doux humecté d'eau savonneuse et frotter doucement. N'utilisez jamais de solvant ni de produit abrasif car ils risqueraient d'abîmer le fini de l'appareil.

IMPORTANT

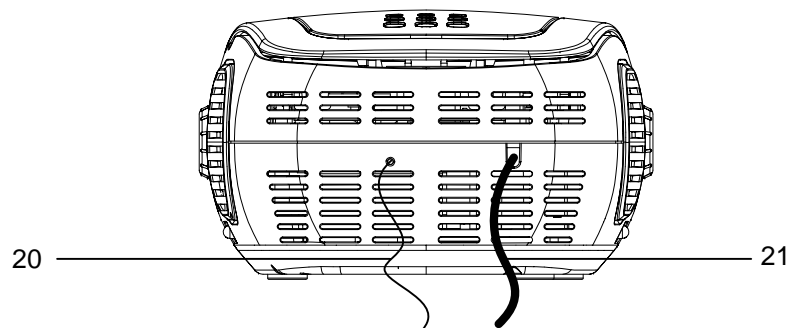
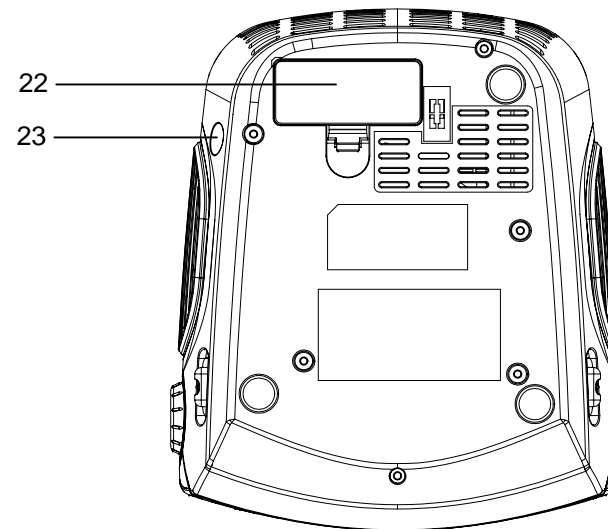
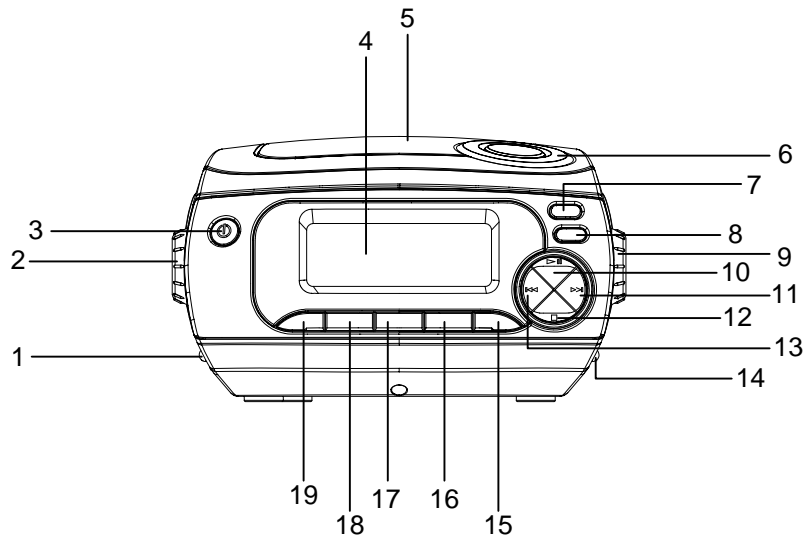
Puisque les circuits de ce lecteur CD peuvent créer des parasites aux autres syntoniseurs radio ou téléviseurs à proximité, mettez cet appareil hors tension lorsque vous ne l'utilisez pas ou éloignez-le du syntoniseur qui subit les interférences.

REMARQUE : Cet appareil numérique ne dépasse pas les limites de classe B se rapportant aux émissions de parasites radio provenant d'appareils numériques, selon les restrictions d'Industrie Canada relatives aux interférences radio. Ces restrictions procurent une protection raisonnable contre les interférences nuisibles au sein d'une installation donnée. Cet appareil génère, utilise et peut émettre des fréquences radio et s'il n'est pas installé et installé selon les instructions, peut nuire aux radiocommunications. Toutefois, rien ne garantit que des parasites ne surviendront pas dans une installation particulière. Si cet appareil cause des interférences nuisibles à la réception du téléviseur ou de la radio, ce que vous pouvez déterminer en ouvrant et en fermant votre appareil, nous vous invitons à essayer l'une des mesures correctives suivantes:

- Réorientez ou déplacez l'antenne de réception.
- Éloignez l'appareil du composant qui reçoit les ondes.
- Branchez l'appareil dans une prise de courant CA raccordée à un circuit différent de celui du composant qui reçoit les ondes.
- Au besoin, consultez votre marchand électronique ou un technicien spécialisé dans le service des radios/téléviseurs pour des suggestions supplémentaires.

Cet appareil numérique de classe B est conforme à la norme NMB-003 du Canada.

F 2



- | | | |
|---------------------------------------------------------------------------------|---------------------------------------------------------|-------------------------------|
| 1. Sélecteur de fonction - lecteur CD/radio/tonalité d'alarme (CD/RADIO/BUZZER) | 12. Touche d'arrêt (STOP ■) | 22. Compartiment à piles |
| 2. Commande de volume | 13. Touche de saut piste précédente (SKIP BACKWARD ◀◀) | 23. Borne d'entrée auxiliaire |
| 3. Interrupteur d'alimentation (POWER) | 14. Sélecteur de bande (AM/FM) | |
| 4. Affichage à DCL | 15. Touche d'affichage (DISPLAY) | |
| 5. Couvercle du plateau à disque/répétition d'alarme | 16. Touche de réglage de la minuterie sommeil (SLEEP) | |
| 6. Poussoir d'ouverture du couvercle du plateau à disque | 17. Touche de programmation (PROG) | |
| 7. Touche de réglage de l'alarme 1 (ALARM 1) | 18. Touche de lecture répétée/aléatoire (REPEAT/RANDOM) | |
| 8. Touche de réglage de l'alarme 2 (ALARM 2) | 19. Touche de réglage de l'horloge (CLOCK) | |
| 9. Commande de syntonisation | 20. Antenne fil de réception FM | |
| 10. Touche de lecture/pause (PLAY/PAUSE ▶) | 21. Cordon d'alimentation CA | |
| 11. Touche de saut piste suivante (SKIP FORWARD ▶▶) | | |

SOURCE D'ALIMENTATION

Cet appareil fonctionne à partir du courant alternatif (CA) de 120 volts, 60 hertz.

1. Branchez le cordon d'alimentation CA sur une prise de courant domestique de 120 volts.
2. Placez deux piles AAA de 1,5 volts chacune dans le compartiment à piles en les positionnant de manière à respecter la polarité indiquée dans le compartiment. Ces piles alimenteront le dispositif de sauvegarde des réglages de l'horloge (heure et alarme) en cas d'interruption de l'alimentation électrique.

FONCTIONNEMENT DE LA RADIO

1. Appuyez sur l'interrupteur d'alimentation (POWER).
2. Placez le sélecteur de fonction à la position RADIO.
3. Syntonisez la station radio de votre choix en tournant la commande de syntonisation.
4. Réglez la commande de volume au niveau qui vous convient.
5. Pour éteindre l'appareil, appuyez de nouveau sur l'interrupteur d'alimentation.

ANTENNES

Antenne de réception AM : Cet appareil est doté d'une antenne AM en ferrite incorporée à même le boîtier. Par conséquent, pour améliorer la qualité de la réception radio, il vous suffit de faire pivoter l'appareil sur lui-même jusqu'à ce que vous trouviez l'orientation procurant une réception de qualité maximale.

Antenne de réception FM : La réception des stations de la bande FM s'effectue par l'entremise de l'antenne fil. Ajustez sa position et son orientation afin d'obtenir une réception de qualité optimale. Ne raccordez pas cette antenne fil à une antenne extérieure.

FONCTIONNEMENT DU LECTEUR CD

Cet appareil effectue la lecture de disques compacts de format standard.

1. Appuyez sur l'interrupteur d'alimentation (POWER).
2. Placez le sélecteur de fonction à la position CD.
3. Soulevez le couvercle du plateau à disque en appuyant sur le poussoir d'ouverture.
4. Déposez un disque compact sur le plateau du lecteur en veillant à le positionner de manière à ce que l'étiquette soit vers le haut.
5. Fermez le couvercle du plateau à disque. L'appareil effectuera un bref examen du disque puis le nombre total de pistes qu'il contient apparaîtra à l'affichage. Si le disque est mal placé sur le plateau, qu'il est sale, endommagé ou s'il ne s'agit pas d'un disque comportant des pièces musicales, vous verrez apparaître « nocd » à l'affichage et le lecteur s'arrêtera.
6. Appuyez sur la touche de lecture/pause (PLAY/PAUSE ► II) pour démarrer la lecture.
7. Appuyez sur la touche d'arrêt (STOP ■) pour arrêter la lecture.

PAUSE

Il est possible d'interrompre momentanément la lecture d'un disque en appuyant sur la touche de lecture/pause (PLAY/PAUSE ► II) pendant la lecture. Pour poursuivre la lecture du disque, appuyez de nouveau sur la touche de lecture/pause (PLAY/PAUSE ► II).

DÉPLACEMENT RAPIDE SUR LE DISQUE EN MARCHÉ AVANT/ARRIÈRE ET SAUT DE PISTE

1. Appuyez sur la touche de saut piste suivante (SKIP FORWARD ►►) pour que le lecteur se positionne rapidement au début de la piste suivante celle où il se trouve. À chaque fois que vous appuyez sur la touche de saut piste suivante (SKIP FORWARD ►►) le lecteur avance d'une piste sur le disque.
2. Appuyez sur la touche de saut piste précédente (SKIP BACKWARD ◄◄) pour que le lecteur se positionne rapidement au début de la piste où il se trouve. À chaque fois que vous appuyez sur la touche de saut piste précédente (SKIP BACKWARD ◄◄) par la suite, le lecteur recule d'une piste sur le disque.

F 5

AFFICHAGE

Appuyez sur la touche d'affichage (DISPLAY) lorsque l'appareil se trouve en mode radio ou en mode lecteur CD, pour faire apparaître à l'affichage le numéro de la piste en lecture ou la fréquence de la station radio syntonisée.

LECTURE ALÉATOIRE / RÉPÉTÉE

Ce lecteur CD peut effectuer la lecture aléatoire des pistes contenues sur le disque (RANDOM), il peut effectuer la lecture répétée d'une seule piste (REP.), la lecture répétée de toutes les pistes du disque (REP. ALL) ou la lecture aléatoire répétée (RANDOM REP. ALL) de toutes les pistes du disque. Vous activez ces fonctions de lecture en les sélectionnant tour à tour à chaque pression de la touche de lecture aléatoire/répétée (RANDOM/REPEAT).

LECTURE PROGRAMMÉE

Il est possible de programmer le lecteur de manière à ce qu'il effectue la lecture des pistes de votre choix, dans l'ordre qui vous convient.

1. Appuyez sur l'interrupteur d'alimentation (POWER).
2. Placez le sélecteur de fonction à la position CD.
3. Soulevez le couvercle du plateau à disque en appuyant sur le poussoir d'ouverture.
4. Déposez un disque compact sur le plateau du lecteur en veillant à le positionner de manière à ce que l'étiquette soit vers le haut.
5. Fermez le couvercle du plateau à disque. L'appareil effectuera un bref examen du disque puis le nombre total de pistes qu'il contient apparaîtra à l'affichage. Si le disque est mal placé sur le plateau, qu'il est sale, endommagé ou s'il ne s'agit pas d'un disque comportant des pièces musicales, vous verrez apparaître « nocd » à l'affichage et le lecteur s'arrêtera.
6. Appuyez sur la touche de programmation (PROG). Vous verrez apparaître clignotant à l'affichage « 01 » et « PROG ».
7. Utilisez les touches de déplacement rapide/saut (SKIP ◄◄►►) pour sélectionner le numéro de la toute première piste à programmer en mémoire. Lorsque ce numéro apparaît à l'affichage, appuyez sur la touche de programmation (PROG) pour confirmer sa mise en mémoire.
8. Répétez cette procédure pour programmer toutes les pistes de votre choix, dans l'ordre qui vous convient et ce, jusqu'à concurrence de vingt (20) pistes.
9. Pour effacer la programmation en mémoire, appuyez sur la touche d'arrêt (STOP ■).
10. Une fois que vous avez programmé toutes les pistes de votre choix, appuyez sur la touche de lecture/pause (PLAY/PAUSE ► II). L'appareil entamera la lecture de toutes les pistes programmées en mémoire, suivant l'ordre de la programmation.
11. Pendant la lecture programmée, vous pouvez passer rapidement à une autre piste de la programmation en vous servant des touches de déplacement rapide/saut (SKIP ◄◄►►). Vous pouvez également faire une pause dans la lecture programmée en appuyant sur la touche de lecture/pause (PLAY/PAUSE ► II). Pour arrêter définitivement la lecture, appuyez sur la touche d'arrêt (STOP ■).

REMARQUE : Lorsque vous appuyez sur les touches de déplacement rapide/saut (SKIP ◄◄►►) lorsque l'appareil se trouve en mode de lecture programmée, le lecteur effectuera son déplacement seulement parmi les pistes de la programmation.

ENTRÉE AUXILIAIRE

Il est possible de raccorder sur l'appareil une composante audio externe, un lecteur par exemple, par l'entremise de cette borne. Cela vous permettra d'utiliser la fonction de lecture de la composante externe pour reproduire le signal audio avec les haut-parleurs de ce radio-réveil. Dès qu'une composante est branchée sur la borne auxiliaire, le signal audio provenant du lecteur CD ou de la radio est automatiquement coupé.

F 6

RÉGLAGE DE L'HORLOGE

1. L'affichage de l'horloge se présente en un format de 12 heures.
2. Appuyez sur la touche de réglage de l'horloge (CLOCK) et maintenez-la enfoncée. Les chiffres correspondant aux heures se mettront à clignoter à l'affichage. Utilisez les touches de déplacement rapide/saut (SKIP ⏪⏩) pour effectuer le réglage des heures.
3. Appuyez sur la touche de réglage de l'horloge (CLOCK) à nouveau et maintenez-la enfoncée. Les chiffres correspondant aux minutes se mettront à clignoter à l'affichage. Utilisez les touches de déplacement rapide/saut (SKIP ⏪⏩) pour effectuer le réglage des minutes.
4. Appuyez sur la touche de réglage de l'horloge (CLOCK) une dernière fois pour confirmer les réglages que vous venez d'effectuer.

RÉGLAGE DES ALARMES

1. Cet appareil possède deux réglages d'alarme qui déclenchent le fonctionnement soit de la radio, du lecteur CD ou de la tonalité d'alarme.
2. Pour choisir lequel de ceux-ci se mettra à fonctionner à l'heure de l'alarme, placez le sélecteur de fonction à la position RADIO, CD ou BUZZER (tonalité d'alarme).
3. Le réglage des heures d'alarme s'effectue un à la fois, alarme 1 ou alarme 2. Débutez en appuyant sur la touche de réglage de l'alarme 1 (ALARM 1) ou 2 (ALARM 2) et maintenez-la enfoncée. Les chiffres correspondant aux heures se mettront à clignoter à l'affichage.
4. Réglez l'heure de l'alarme 1 et/ou 2 en suivant les mêmes procédures que lors du réglage de l'horloge.
5. Si vous avez opté pour le lecteur CD, vous devez sélectionner la piste du disque qui sera lue lorsque le fonctionnement du lecteur CD sera déclenché. Pour ce faire, utilisez les touches de déplacement rapide/saut (SKIP ⏪⏩).

Remarque : Pour désactiver l'alarme, afin qu'elle ne se déclenche pas le jour suivant, appuyez sur la touche de réglage de l'alarme 1 (ALARM 1) et 2 (ALARM 2) jusqu'à ce que les indicateurs respectifs de ces alarmes (AL1 et AL2) disparaissent de l'affichage.

RÉPÉTITION D'ALARME

Lorsque l'alarme déclenche le fonctionnement de la radio, du lecteur CD ou de la tonalité d'alarme, appuyez sur la touche de répétition d'alarme (REPEAT ALARM) pour obtenir un répit en interrompant momentanément leur fonctionnement pendant six (6) minutes. Une fois ces minutes écoulées, la radio, le lecteur CD ou la tonalité d'alarme se remettront automatiquement en marche. Vous pouvez répéter la manœuvre pendant soixante (60) minutes. Après ce laps de temps, l'alarme sera désactivée jusqu'au prochain réglage d'alarme (si celle-ci a été activée) ou jusqu'au lendemain, à moins que l'interrupteur d'alimentation (POWER) ne soit pressé.

MINUTERIE SOMMEIL

Appuyez sur la touche de la minuterie sommeil (SLEEP) pour faire apparaître successivement à l'affichage à chaque pression : →90 → 80 → 70 →10. Ceci correspond au nombre de minutes pendant lesquelles l'appareil fonctionnera avant de s'éteindre de lui-même. Sélectionnez la durée qui vous convient. Pour éteindre l'appareil avant que la durée soit entièrement écoulée, appuyez sur l'interrupteur d'alimentation (POWER).

FICHE TECHNIQUE

Source d'alimentation : Courant alternatif de 120 volts, 60 hertz

Gammes de fréquences : AM : 540 – 1700 kHz
FM : 88 – 108 MHz

Haut-parleurs : 2 enceintes de 8 ohms

F 7

GARANTIE MAGNASONIC™

Appareils électroniques grand public, électroménagers et équipement pour le bureau à la maison

Merci d'avoir choisi MAGNASONIC™ !

SYNNEX Canada Limitée accorde la garantie expresse suivante à l'acheteur original de cet appareil MAGNASONIC ou à la personne qui l'a reçu en cadeau, pourvu qu'il ait été expédié et vendu au Canada par SYNNEX Canada Limitée ou un détaillant MAGNASONIC autorisé dans son emballage original.

SYNNEX Canada Limitée garantit que cet appareil est exempt de tout défaut de matériau et de fabrication dans des conditions normales d'utilisation et d'entretien. Advenant le cas où cet appareil s'avérerait défectueux au cours de la période pendant laquelle il est couvert par la présente garantie, SYNNEX Canada Limitée s'engage à le réparer ou, le cas échéant et à son entière discrétion, le remplacer. Les pièces de rechange utilisées dans l'exécution de la présente sont aussi couvertes par la garantie pendant une période égale à la portion non échue de la garantie originale sur l'appareil.

La présente garantie ne couvre pas :

- a. Les défauts ou les réparations résultant d'un usage abusif, d'une négligence, d'un accident ou d'une installation inadéquate ou un usage inapproprié selon les directives fournies dans le guide d'utilisation accompagnant l'appareil.
- b. Les appareils de marque MAGNASONIC trafiqués, modifiés, réglés, ajustés ou réparés par une entité autre que SYNNEX Canada Limitée ou un centre de réparation autorisé par MAGNASONIC.
- c. Les dommages causés ni les réparations requises à l'appareil résultant de son usage avec des composantes ou accessoires non recommandés ni approuvés par SYNNEX Canada Limitée, incluant, sans en exclure d'autres, les cassettes et/ou produits chimiques de nettoyage.
- d. Le remplacement d'accessoires ou de pièces de verre, consommables ou périphériques requis dans le cadre de l'usage normal de l'appareil incluant, sans en exclure d'autres, les écouteurs, télécommandes, adaptateurs CA, piles, sondes de température, pointes de lecture, stylets, plateaux, filtres, câbles, papier, boîtier et composantes de boîtiers, boutons, paniers, supports, tablettes et accessoires et ustensiles de cuisson.
- e. Tout dommage apparent à la surface ou au boîtier extérieur de l'appareil et attribuable à la détérioration ou à l'usure résultant d'un usage normal.
- f. Tout dommage causé par des conditions externes ou environnementales, incluant, sans en exclure d'autres, les lignes de transmission ou de transport d'énergie ou le renversement de liquide.
- g. Tout appareil ne portant pas les identifications appropriées quant aux numéros de modèle et de série ni les étiquettes et attestations de l'ACNOR, de l'ULC, de l'ULI, de l'ETL au Canada et aux États-Unis.
- h. Tout appareil utilisé à des fins commerciales ou de location.
- i. Tous les frais d'installation, d'ajustement et/ou de programmation.

Si cet appareil de marque MAGNASONIC devient défectueux au cours de la période de garantie, une réparation peut être obtenue, conformément aux termes de la présente garantie, en présentant cet appareil MAGNASONIC avec la preuve d'achat originale et une copie de la présente GARANTIE LIMITÉE à un centre de service autorisé par MAGNASONIC. Le service à domicile est effectué, à la discrétion de SYNNEX Canada Limitée, sur les téléviseurs de marque MAGNASONIC dotés d'un écran de 27 pouces et plus. La présente garantie constitue l'intégrale de la garantie expresse accordée par SYNNEX Canada Limitée et aucun autre détaillant, centre de service ni leur agent ou employé n'est autorisé à prolonger, étendre ou transférer la présente garantie au nom de SYNNEX Canada Limitée. Dans la mesure où la loi le permet, SYNNEX Canada Limitée décline toute responsabilité pour des dommages ou pertes directs et indirects, tous dommages accessoires, particuliers ou consécutifs ou perte de profits résultant d'un défaut de matériau ou de fabrication de cet appareil incluant les dommages attribuables à la perte de temps ou perte de jouissance de cet appareil MAGNASONIC ou de la perte de données. Il incombe à l'acheteur de défrayer les coûts encourus pour l'enlèvement, la réinstallation, le transport et l'assurance de cet appareil. La correction de toute défectuosité, de la manière et dans les délais indiqués dans la présente, constitue l'exécution intégrale de tous les engagements et obligations contractés par SYNNEX Canada Limitée envers l'acheteur à l'égard de cet appareil et représentera la pleine et entière satisfaction vis-à-vis de toutes les réclamations contractuelles ou attribuables à la négligence, et la responsabilité absolue ou autre.

PÉRIODES DE GARANTIE SUR LES PIÈCES ET LA MAIN-D'ŒUVRE POUR LES APPAREILS RAPPORTÉS AUX CENTRES DE SERVICE :

- Appareils audio : 1 an (télécommande, s'il y a lieu – 90 jours)
- Lecteurs DVD : 1 an (télécommande – 90 jours)
- Téléviseurs à écran ACL ou plasma : 1 an (télécommande – 90 jours)
- Téléviseurs : 1 an (télécommande – 90 jours)
- Magnétoscopes : 1 an (télécommande – 90 jours, têtes vidéo – 6 mois)
- Electroménagers : 1 an
 - Four à micro-ondes, pièces de magnétron seulement, 3 ans additionnels
 - Réfrigérateurs/congélateur, pièces de compresseur seulement, 4 ans additionnels
- Appareils de chauffage, de climatisation et d'humidification : 1 an (télécommande – 90 jours)
 - Pièces de compresseur seulement (s'il y a lieu), 4 ans additionnels
- Équipement pour le bureau à la maison : 1 an

Pour obtenir le nom et l'adresse du centre de service MAGNASONIC autorisé le plus près de chez vous ou pour plus de renseignements sur cette garantie :

- Visitez www.magnasonic.ca
- Postez votre demande à
SYNNEX Canada Limitée
Centre de service à la clientèle
200 Ronson Drive
Toronto, ON M9W 5Z9; ou
- Composez le numéro sans frais : 1-800-663-5954, du lundi au vendredi, de 9 h à 17 h, heure de l'Est.

MAGNASONIC est une marque déposée
de SYNNEX Canada Limitée
08.2007

F 8

Free Manuals Download Website

<http://myh66.com>

<http://usermanuals.us>

<http://www.somanuals.com>

<http://www.4manuals.cc>

<http://www.manual-lib.com>

<http://www.404manual.com>

<http://www.luxmanual.com>

<http://aubethermostatmanual.com>

Golf course search by state

<http://golfingnear.com>

Email search by domain

<http://emailbydomain.com>

Auto manuals search

<http://auto.somanuals.com>

TV manuals search

<http://tv.somanuals.com>