

MAGNASONIC

For Customer Assistance Call:
1-800-663-5954

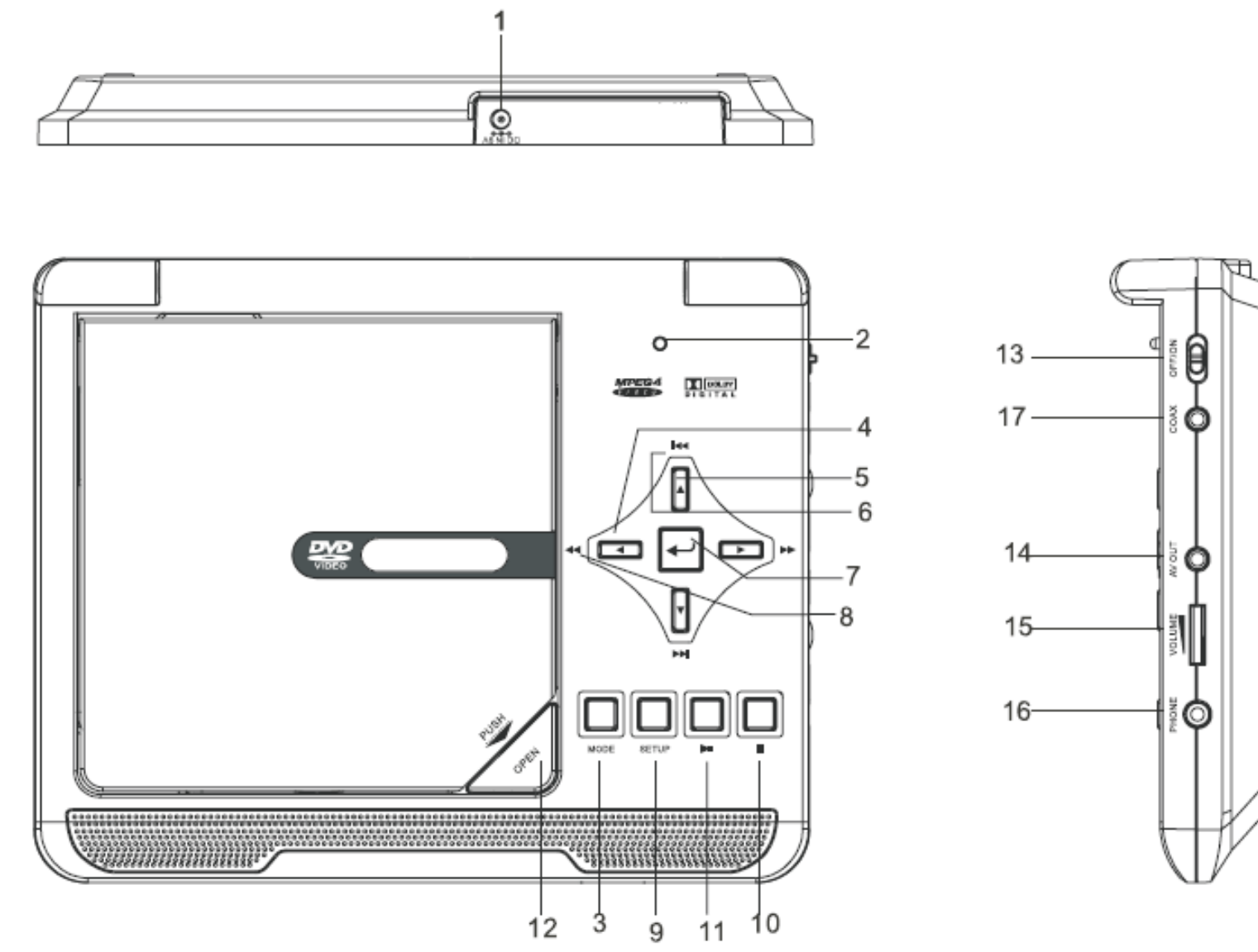
MDVP455

7" Portable DVD Player

Instruction Manual



www.magnasonic.ca



SAFETY PRECAUTIONS

CAUTION
RISK OF ELECTRIC SHOCK
DO NOT OPEN

CAUTION

The lightning flash with arrowhead symbol, within an equilateral triangle, is intended to alert the user to the presence of uninsulated "dangerous voltage" within the products enclosure that may be of sufficient magnitude to constitute a risk of electric shock to persons.

The exclamation point within an equilateral triangle is intended to alert the user to the presence of important operating and maintenance (servicing) instructions in the literature accompanying this Portable DVD Player.

WARNINGS: To reduce the risk of fire or electric shock, do not expose this product to rain or moisture. **DO NOT REMOVE COVER or OPEN THE CABINET**. Dangerous high voltages are present inside the enclosure. No user serviceable parts inside. Refer servicing to qualified personnel only. Use of controls, adjustments or performance of procedures other than those specified may result in hazardous radiation exposure.

CAUTION: RETAIN THIS MANUAL FOR FUTURE REFERENCE

This unit has been designed and manufactured to assure personal safety. Improper use can result in electric shock or fire hazard. The safeguards incorporated in this unit will protect you if you observe the following procedures for installation, use, and servicing. This unit does not contain any parts that can be repaired by the user.

- Read these instructions.
- Keep these instructions.
- Heed all warnings.
- Follow all instructions.
- Do not use this unit near water.
- Clean only with a dry cloth.
- Clean the screen only with a specified cleaning solution for use with products such as laptops and computer monitors. These are available at most retail consumer electronics stores. Do not clean the inside of the unit.
- Check that the power voltage stated on the power adaptor rating label corresponds to your local electricity supply.
- Do not block any ventilation openings. Install in accordance with the manufacturer's instructions.
- Do not place near any heat sources such as radiators, heat registers, stoves or other apparatus (including amplifiers) that produce heat.
- Do not immerse the main unit, the power adaptor or any accessories in water or any other liquid.
- Unplug the power adaptor from the wall when the product is unused for a long period of time and during thunderstorms.
- Only use attachments / accessories specified by the manufacturer.
- Unwind and straighten the power adaptor before use.
- Damage Requiring Service**
Unplug the power adaptor and refer servicing to qualified service personnel under the following conditions:
 - If liquid has been spilled on or into the product.
 - If the product has been exposed to rain, water, or other liquids.
 - If the product does not operate normally by following the operating instructions. Adjust only those controls that are covered by the operating instructions. Improper adjustment of other controls may result in damage and will often require extensive work by a qualified technician to restore the product to its normal operation.
 - If the product has been dropped or damaged in any way.
 - If the product exhibits a distinct change in performance. It indicates a need for service.
- Servicing**
Do not attempt to service this product yourself as opening or removing covers may expose you to dangerous voltage or other hazards. Refer all servicing to qualified service personnel.
- Replacement Parts**
When replacement parts are required, be sure the service technician has used replacement parts specified by the manufacturer or have the same characteristics as the original parts. Unauthorized substitutions may result in fire, electric shock, or other hazards.
- Safety Check**
Upon completion of any service or repairs to this product, ask the service technician to perform safety checks to determine that the product is in proper operating condition.
- USA & Canada versions comply with FCC and cUL certification.

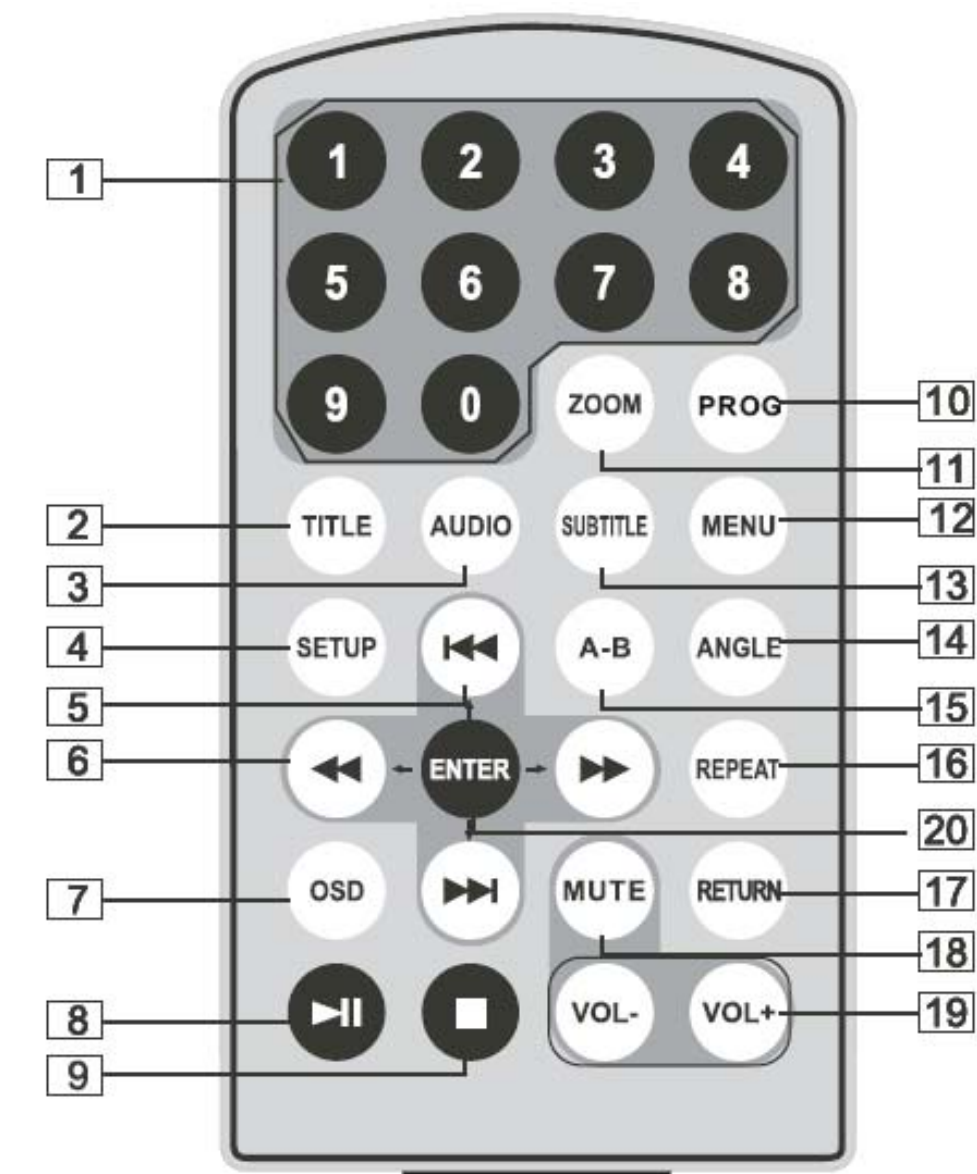
MAIN FEATURES

- High Brightness 7" LCD Display
- Compatible formats: DVD, CD, VCD, MPEG4, CD, and JPEG
- Built-In Stereo Speakers
- Built-In Rechargeable Lithium Polymer Battery
- Supports PAL or NTSC
- Features English / French OSD
- Speed Forward / Backward, and Repeat Function
- Zoom In / Out function
- Headphone Jack

UNIT VIEW

- | | |
|-----------------|-------------------------|
| 1. DC in 9V | 10. Stop Button |
| 2. LCD Switch | 11. Play/Pause |
| 3. MODE Button | 12. OPEN Button |
| 4. < > | 13. Power ON/OFF Switch |
| 5. < > | 14. AV OUT |
| 6. <<>> | 15. Volume Control |
| 7. Enter Button | 16. Headphone Jack |
| 8. <<<<>>>> | 17. Digital Coax Output |
| 9. Setup Button | |

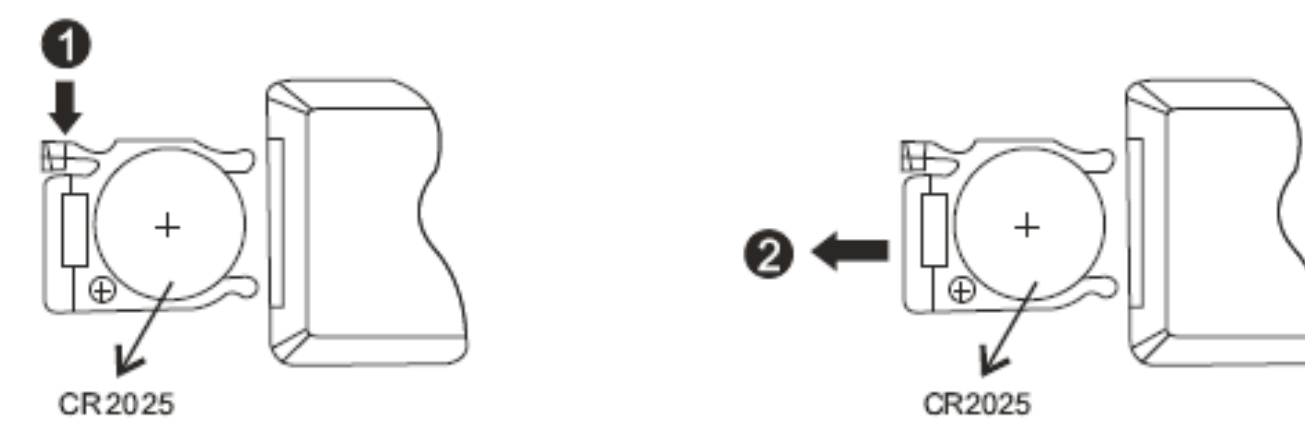
REMOTE CONTROL



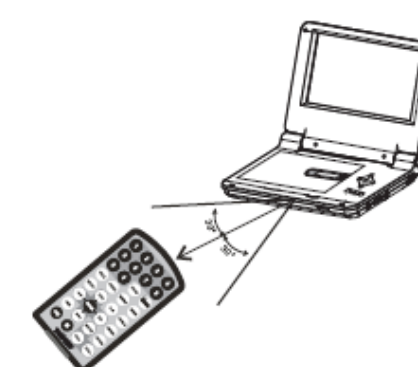
- Number Buttons
- TITLE (To display DVD Title Information)
- AUDIO (To select Audio Language)
- SETUP (To go to or exit the Setup Menu)
- Previous/Next Button (To go to the previous/next chapter or scene during playback)
- Fast Forward/Fast Backward Button (To scan forward/backward at 2, 4, 8, 16, or 32 times)
- OSD (To display disc information during playback, such as elapsed and remaining time)
- Play/Pause
- Stop (Press once to stop playback. Press >>>> to resume playback from the point where you stopped. Press the Stop button twice to stop the DVD completely)
- PROG (Program Playback)
- ZOOM (To zoom in/out on the image during playback)
- Menu (To enter or exit the Root Menu)
- Subtitle (To turn ON/OFF, and to select the subtitle language when playing DVD discs)
- Angle (To change the viewing angle when playing discs with multi angle viewing)
- A-B (Repeat a specific portion from point A to B, press it again to cancel repeat playback)
- Repeat (To repeat an entire title, chapter, track, or folder)
- Return (To return to the Root Menu)
- MUTE (To mute and un-mute the volume)
- VOL +/- (To increase or decrease the volume)
- Enter (To confirm selection)

REMOTE CONTROL USE

Please insert the battery into the Remote Control as per the diagram below:



When using the Remote Control, make sure the infrared window is pointed at the infrared receiving window of the Portable DVD Player. The distance between the Portable DVD Player and the Remote Control must be within 3 meters. Please refer to the following illustration.



Notice

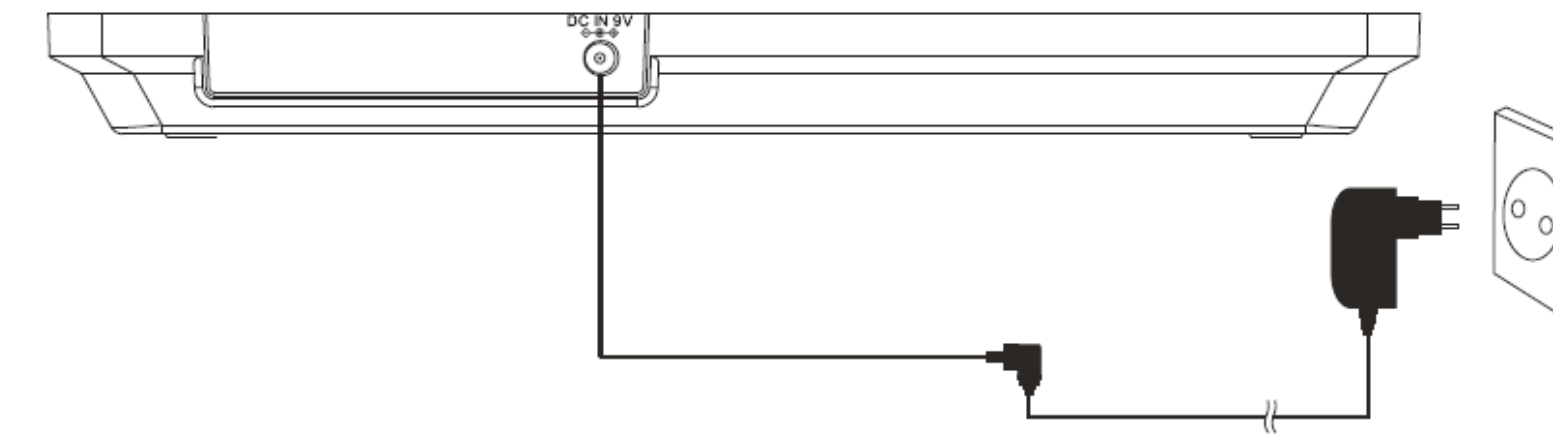
- Avoid dropping the unit or placing near water.
- Avoid placing the unit in direct sunlight, and do not let sunlight shine directly into the infrared window
- If the Remote Control does not function properly, replace the current battery with the same type or equivalent type.

Package Contents

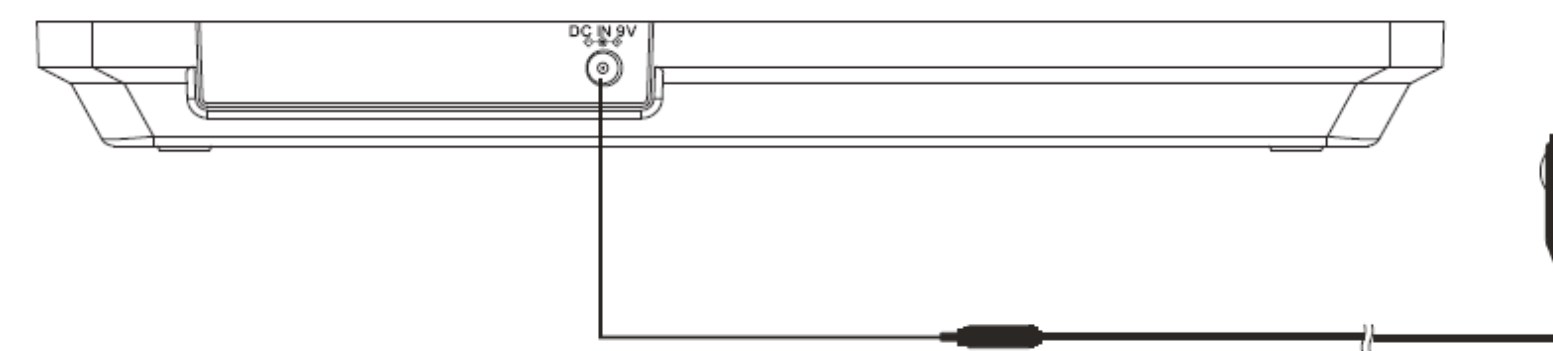
DVD Player with Built-in Lithium Polymer Battery	1
Remote Control with Battery	1
Audio/Video Cable	1
AC/DC Power Adaptor	1
Cigarette Lighter Adaptor	1
Instruction Manual	1
Headphones	1

POWERING AND INSTALLATION

Plug one end of the AC/DC power adaptor into the DC IN 9V jack on the right of the machine, then plug the other end into the AC power receptacle. Please refer to the following illustration:



If using a car cigarette lighter adaptor to connect to the power: Plug one end of the cigarette lighter adaptor into the DC IN 9V jack on the Portable DVD Player, and plug the other end into the car cigarette lighter socket. See illustration below.

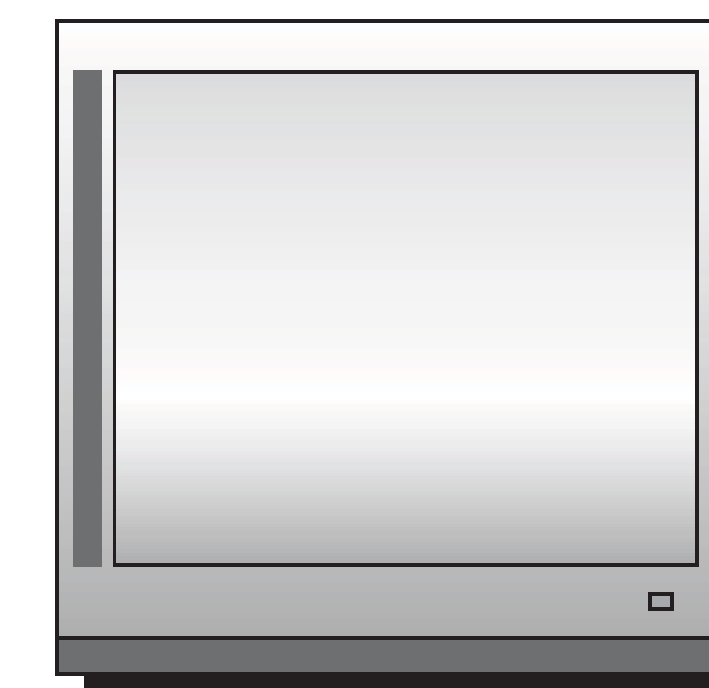
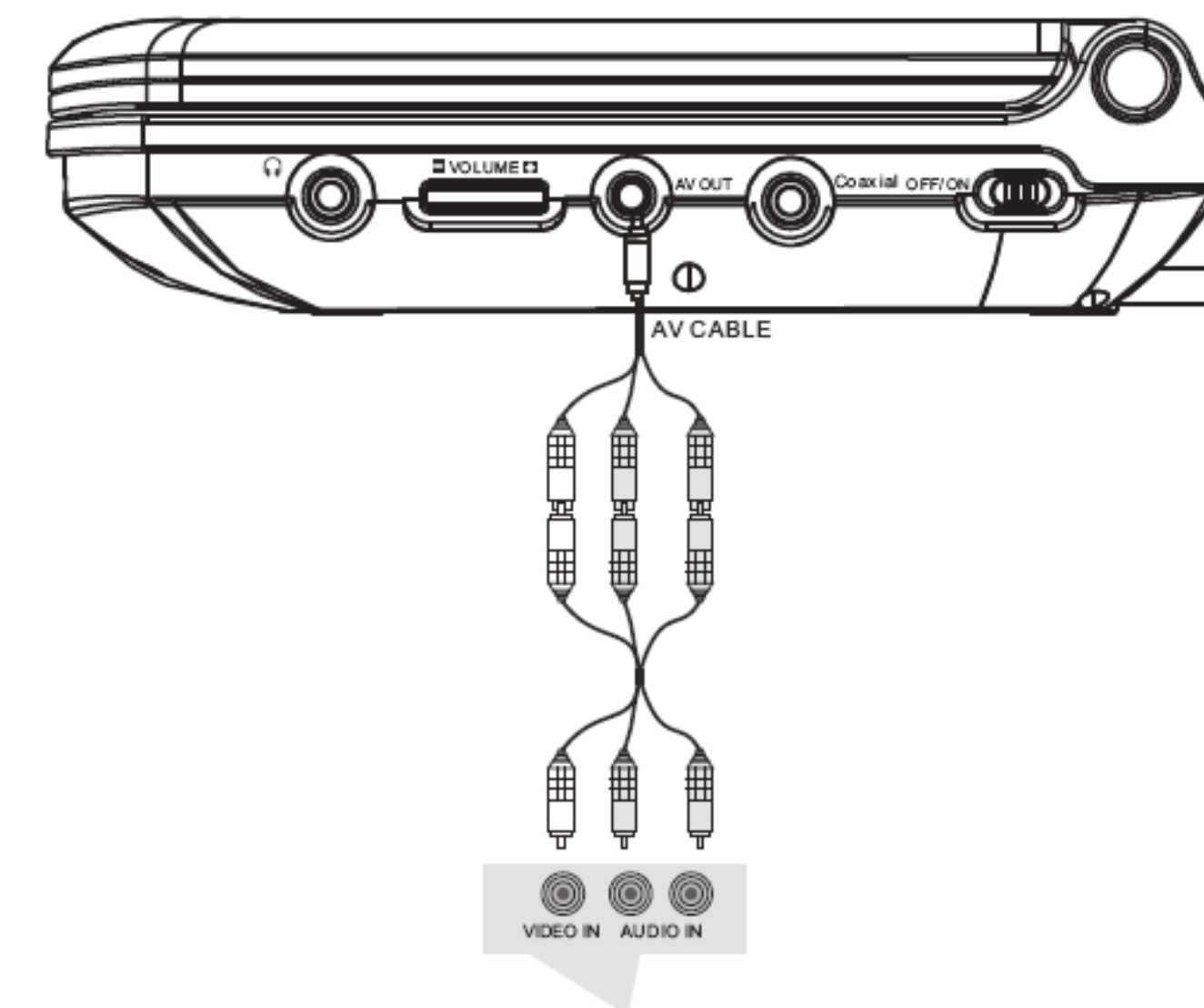


Notice:

- The cigarette lighter adaptor can not be used to recharge the battery.
- Only use the cigarette lighter adaptor in a vehicle equipped with a voltage rating of 9V ~ 12V

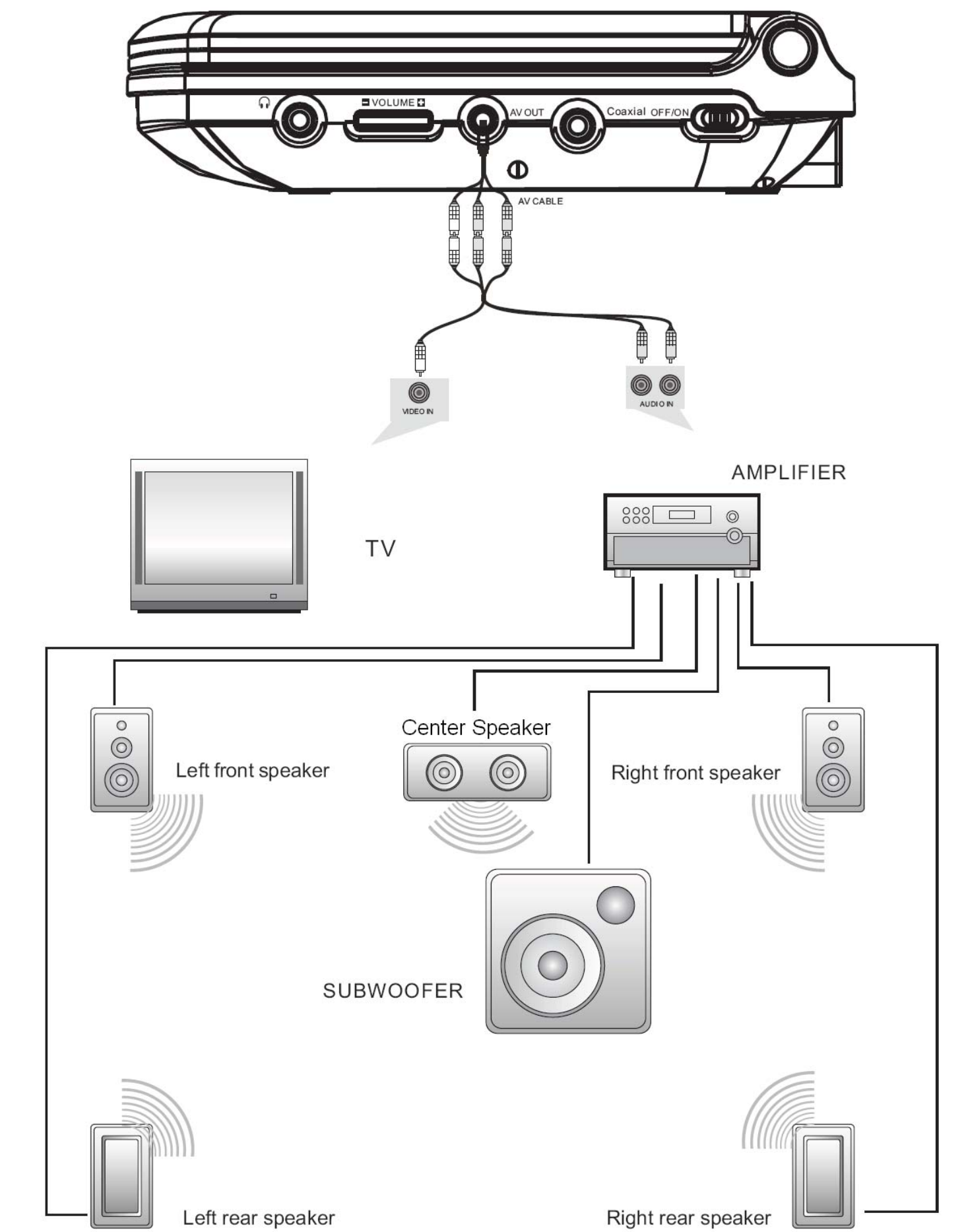
CONNECTING TO A TELEVISION

You can also connect the unit to a TV to enjoy high quality picture and stereo sound. Please refer to the following illustration:



CONNECT TO EXTERNAL SPEAKERS

The unit can be connected to an external amplifier and speakers.



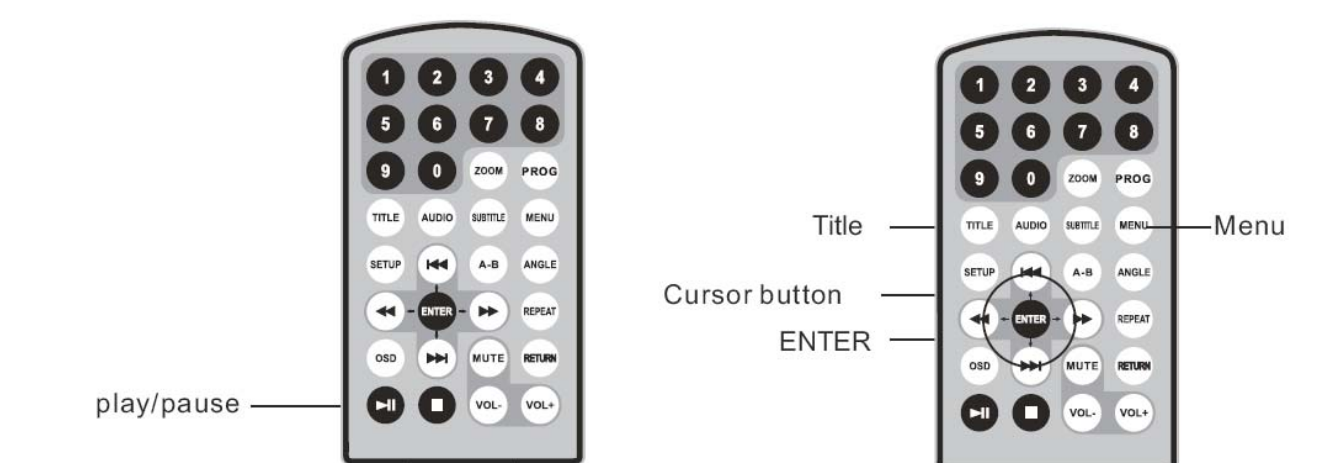
Notice: This unit is not equipped with a 5.1 surround sound output, however, after connecting to an amplifier the audio can be outputted into 5.1 surround sound.

BASIC OPERATION



Playable Discs: DVD, MPEG4, SVCD, VCD, CD.

- After connecting the power adaptor to the unit, turn on the unit by sliding the ON/OFF power switch to ON.
- Press the Open button to open the disc door. Insert a disc into the door with the label side facing up. Close the disc door. The unit will load the disc and begin playback.
- Press >>>> once to stop playback, then press >>>> to resume playback from the point where you stopped. Press >>>> twice to stop playback completely.
- During playback, press >>>> to pause playback. Press >>>> again to resume playback.
- When you have finished viewing the disc, press the STOP button, take out the disc and slide the ON/OFF switch to the OFF position to turn the Portable DVD Player off.
- For some DVD discs with Title or Chapter menus, press the MENU button to enter the Menu option. Use the <<<< >>>> buttons to select an option, and press ENTER to confirm your selection.



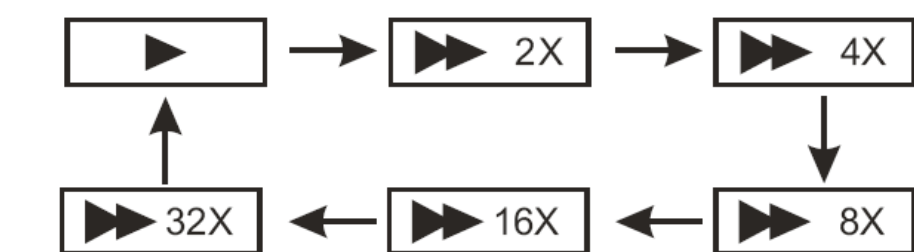
TV

FAST FORWARD AND BACKWARD

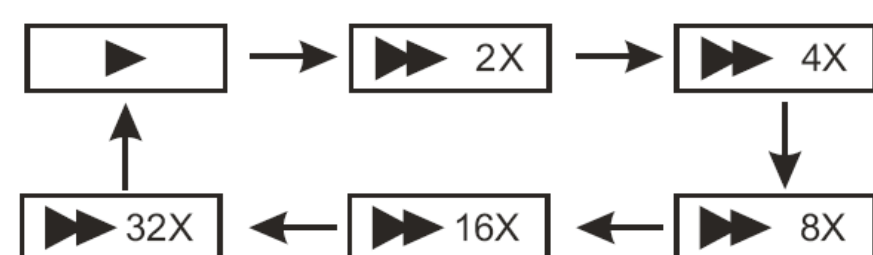


When playing a DVD, MPEG4 or VCD disc, the unit can fast forward or fast backward through its content.

- Press >>>>, the unit will search forward. Press it repeatedly; the unit will play at 2, 4, 8, 16, 32 times over the normal speed.



- Press the unit will search backward. Press it repeatedly, and the unit will play at 2, 4, 8, 16, and 32 times the normal speed.



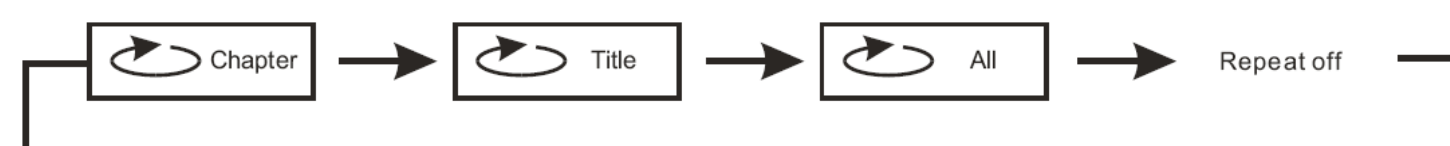
REPEAT PLAYBACK & MULTI-ANGLE VIEWING

Repeat Playback



When playing a DVD, MPEG4, SVCD, VCD, or CD; the user can repeat a title, chapter, or the whole disc.

For DVD disc, press the "repeat" button. The first press will repeat the chapter. Press "repeat" again to repeat the title. Press "repeat" a again to repeat the whole disc, and press a fourth time to cancel repeat playback.



For MP3 disc, press the "repeat" button. The first press repeats the current audio file. Press "repeat" again to repeat the folder, and press "repeat" a third time to cancel repeat playback.

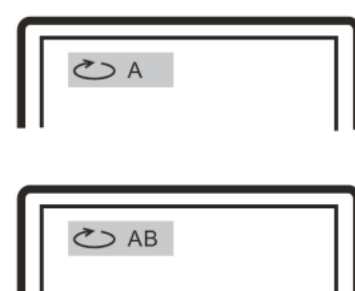


Repeat Playback A-B Selection



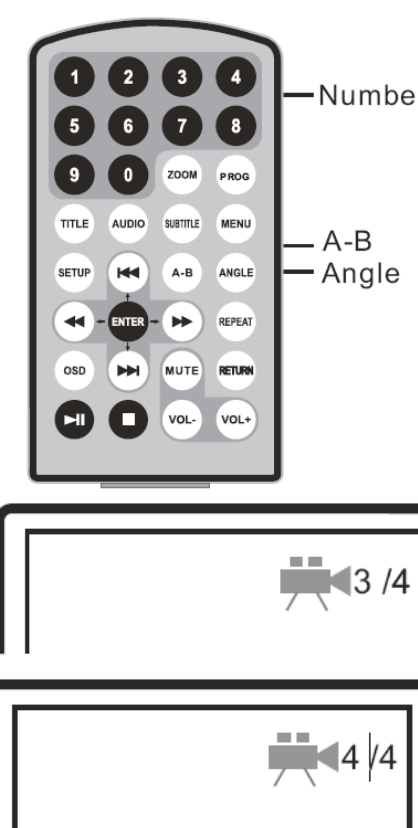
When playing a DVD, MPEG4, SVCD, VCD, or CD; the user can playback a specific section.

During playback, press the "A-B" button at a point where you would like the repeated playback to begin (Point A). Press the "A-B" button again at the point where you would like the repeated playback to end (Point B). The Portable DVD Player will automatically begin playing back the selection between Point A and Point B. Press the "A-B" button a third time to return to normal playback.



Angle

While playing a DVD disc with Multi-Angle, press the "Angle" button. The following will be displayed on the screen: Press number buttons to select the angle you desire. To return to normal playback, please press "Angle". The unit will resume playback in the default angle.



Notice

This function is only available for discs recorded with Multi-Angle viewing.

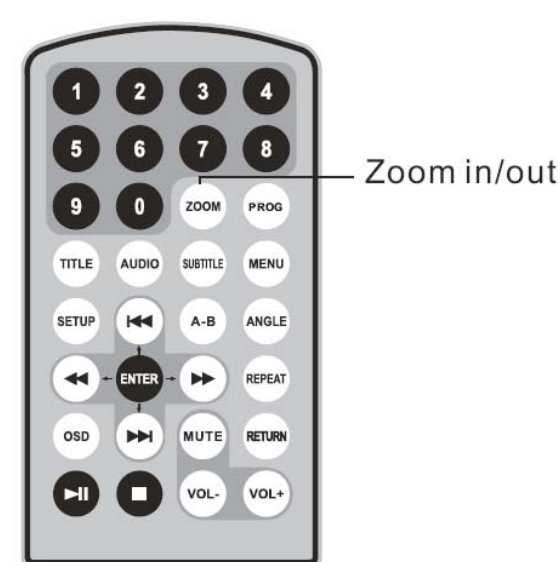
ZOOMING IN/OUT



When playing a DVD, MPEG4, SVCD, or VCD disc; the user can zoom in and out on the image.

During playback, press the "Zoom" button to enlarge the image. Repeatedly pressing the button will enlarge the image in 2x, 3x, and 4x the normal size. After pressing the "Zoom" button past 4x, the image will zoom out at 1/2x, 1/3x, and 1/4x. Pressing the "Zoom" button again past 1/4x will revert back to the default playing resolution.

When the image is enlarged, the user can press to move the image across the screen.



PLAYING JPEG FILES

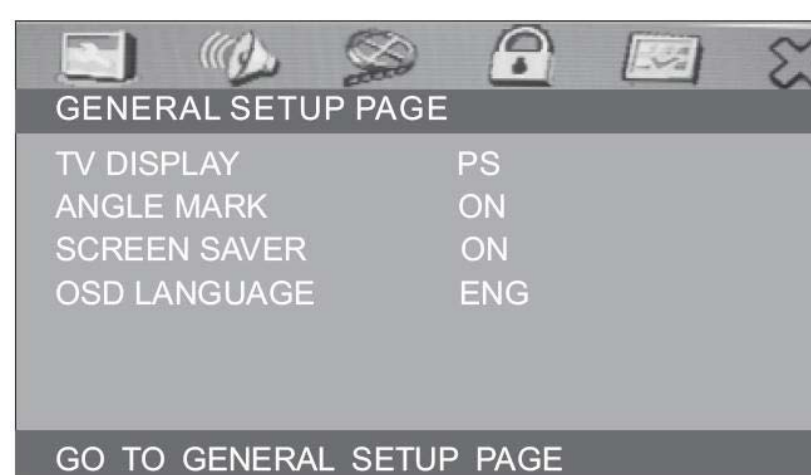
- Place a JPEG disc into the tray, the unit will play the disc automatically.
- Press "MENU" to browse the JPEG files.
- Press to select a JPEG file and press the "ENTER" button to confirm.
- Press to rotate the image counter-clockwise, and to rotate the image clockwise.

5. Press the OSD button when viewing pictures, you can select the different refresh modes as follows:

- From top to bottom.
 - From bottom to top.
 - From left side to right side.
 - From right side to left side.
 - From top left to bottom right.
 - From top right to bottom left.
 - From bottom left to top right.
 - From bottom right to top left.
 - From horizontal centre to both left and right sides.
 - From vertical centre to both left and right sides.
 - From top and bottom to centre.
 - From right and left sides to centre.
 - From four windows, top to bottom.
 - From four windows, left to right.
 - From the four corners to the centre.
6. While viewing files, may appear pressing "Angle", "Subtitle", "Audio", "A-B", or "Title". In this situation, these options are unavailable for this particular disc.
7. When viewing JPEG files, press and the pictures will be displayed in thumbnail mode. Press and the "ENTER" button to select the picture you would like to view.

SYSTEM SETUP

Press the Setup button, the main menu will be displayed on the screen. Press the buttons to highlight the General Setup Page. Press the ENTER button to access. Press the buttons to select the setting you would like to adjust. Press the ENTER button to confirm your selection. Press the button to exit.



General Setup Page

TV Display:

This setting allows the user to select the screen display format (4:3 Pan Scan, 4:3 Letter Box, 16:9 Wide). (The default setting is "4:3 Pan Scan").

Note:

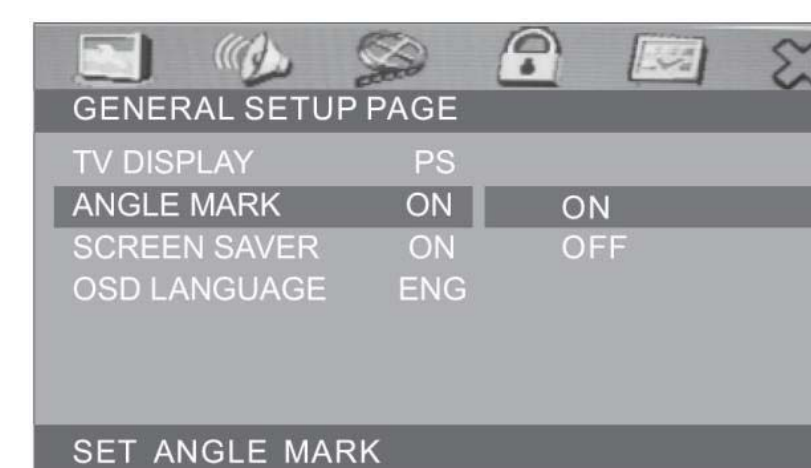
- The function depends on the display ratio with which the DVD disc is recorded.
- Please choose 16:9 WIDE when using a 16:9 wide screen television.



Angle Mark:

Enter this option to set the angle during playback. Optional Setting: ON, OFF.

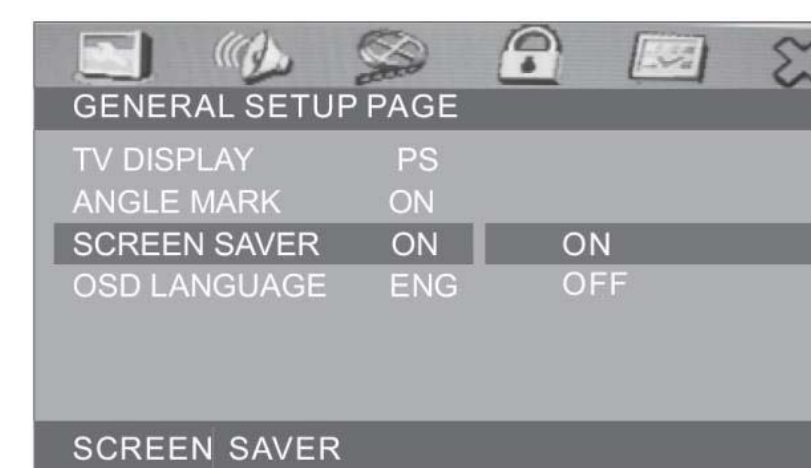
The default is ON.



Screen Saver:

Enter this option to set whether to activate the screen saver function.

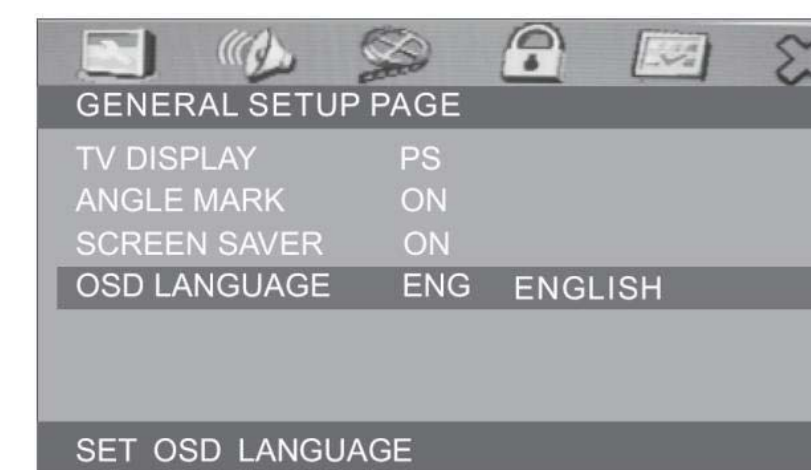
The default is ON.



OSD Language:

This setting allows the user to set the On Screen Display (OSD) menu language.

The default is English.



Audio Setup Page

This setting allows the user to adjust the sound quality of the audio output. There are 3 options for adjustment: Speaker Setup, Digital Audio, and HDCD.



Video Setup Page

This option allows the user to adjust the picture quality of the video output. There are 3 options for adjustment: Brightness, Contrast, Hue, and Saturation.

The default setting for all 3 is 00.



Password Setup Page

Parental Control:

This option allows the user to set a password (4 digits in length) to lock certain features or movies from being watched on this Portable DVD Player.

The default code is: 8888



Preference Page

TV Type:

Enter this option to select the television format type (PAL, AUTO, NTSC).

The default is NTSC.



Audio:

Enter this option to adjust the preferred DVD Audio language.

The default is English.

Note:

- The audio language depends on the material on each disc.
- The user can also change the audio language during playback by pressing the "Audio" button.



Subtitle:

This option allows the user to turn ON/OFF and select the preferred language to be displayed as subtitles on the screen.

The default is OFF.

The subtitle languages depend on the information available on each disc. You can also change the subtitle language during playback by pressing the "SUBTITLE" button.



Parental Ratings:

This option allows the user to select the Parental Control level to prevent their children from watching unsuitable DVD's.

Parental Control Options: KID, G, PG, PG13, PGR, R, NC17, and ADULT

The default option is ADULT which allows all content to be played.



Disc Menu:

This function allows the user to choose the menu language stored on the disc.

The default is English.

Note: The disc menu language depends on the information available on the disc.



Default

This option resets the all of the Portable DVD Players settings back to the original manufacturers default settings.



SPECIFICATIONS AND RECHARGABLE BATTERY USE

Specifications

Compatible Formats: DVD/VCD/CD/SVCD/MPEG4
Signal Type : PAL /NTSC
Panel Size: 7 Inch TFT
Frequency Response: 20Hz to 20 kHz
Video Output: 1 Vp-p/75 Ohm, unbalanced
Audio Output: 1.4Vrms/10kOhm
Audio S/N: >80dB

Power Source: DC 9-12V
Power Consumption: 10W
Operating Temperature: 5 ~ 40°C
Weight: 0.786kg
Dimensions (W x D x H): 206 x 152 x 41
Battery Type: Li Polymer
Dynamic Range: >85dB

Laser: Semiconductor Laser, Wave Length: 650 nm / 795 nm

Rechargeable Battery Use

This Portable DVD Player utilizes a long-life Li Polymer battery for its portable power supply. The batter has no built in memory and thus can safely be recharged regardless of whether or not the battery is fully or partially discharged. It takes approximately 2 hours to provide the battery with a full charge. Please do not charge the battery any longer than 6 hours in one charge. Doing so may cause damage or serious injury from overheating.

Precautions Related to Battery Recharge

The battery can only be recharged when the power is OFF, and the power supply remains plugged into the main power receptacle. The RED indicator light will turn YELLOW when the battery is fully charged.

Using and Maintaining the Rechargeable Battery

- The normal working temperature is: 0°C ~ 45°C
- Always unplug the AC/DC power supply from the unit when it is not in use.
- It is normal for the Portable DVD Player to generate heat during use, however, it is best to avoid playing the unit for long periods of time unattended.
- Avoid dropping, placing object on top, or placing this Portable DVD Player in areas of extreme heat sources. Doing so may cause serious injury and/or damage.

TROUBLESHOOTING

PROBLEM	SOLUTION
No Sound or distorted sound	Make sure the Portable DVD Player is connected properly. Make sure all cables are securely inserted into the appropriate jacks.
Can't advance through a movie	You can't advance through the opening credits and warning information that appears at the beginning of movies because the disc is programmed to prohibit that action.
The icon appears on the screen	The feature or action cannot be completed at this time because: <ol style="list-style-type: none"> The disc's software restricts it. The disc's software doesn't support the feature (e.g., angles) The feature is not available at the moment. You've requested a title or chapter number that is out of range.
Picture is distorted	The disc might be damaged. Try another disc; It is normal for some distortion to appear during forward or reverse scan.
No forward or reverse scan	Some discs have sections that prohibit rapid scanning or chapter skip; If you try to skip through the warning information and credits at the beginning of a movie, you won't be able to. This part of the movie is often programmed to prohibit skipping through it.

Magnasonic is continuously improving the quality and specification of our products. No prior notice will be given regarding changes on the above features and specifications.

MAGNASONIC

MDVP455

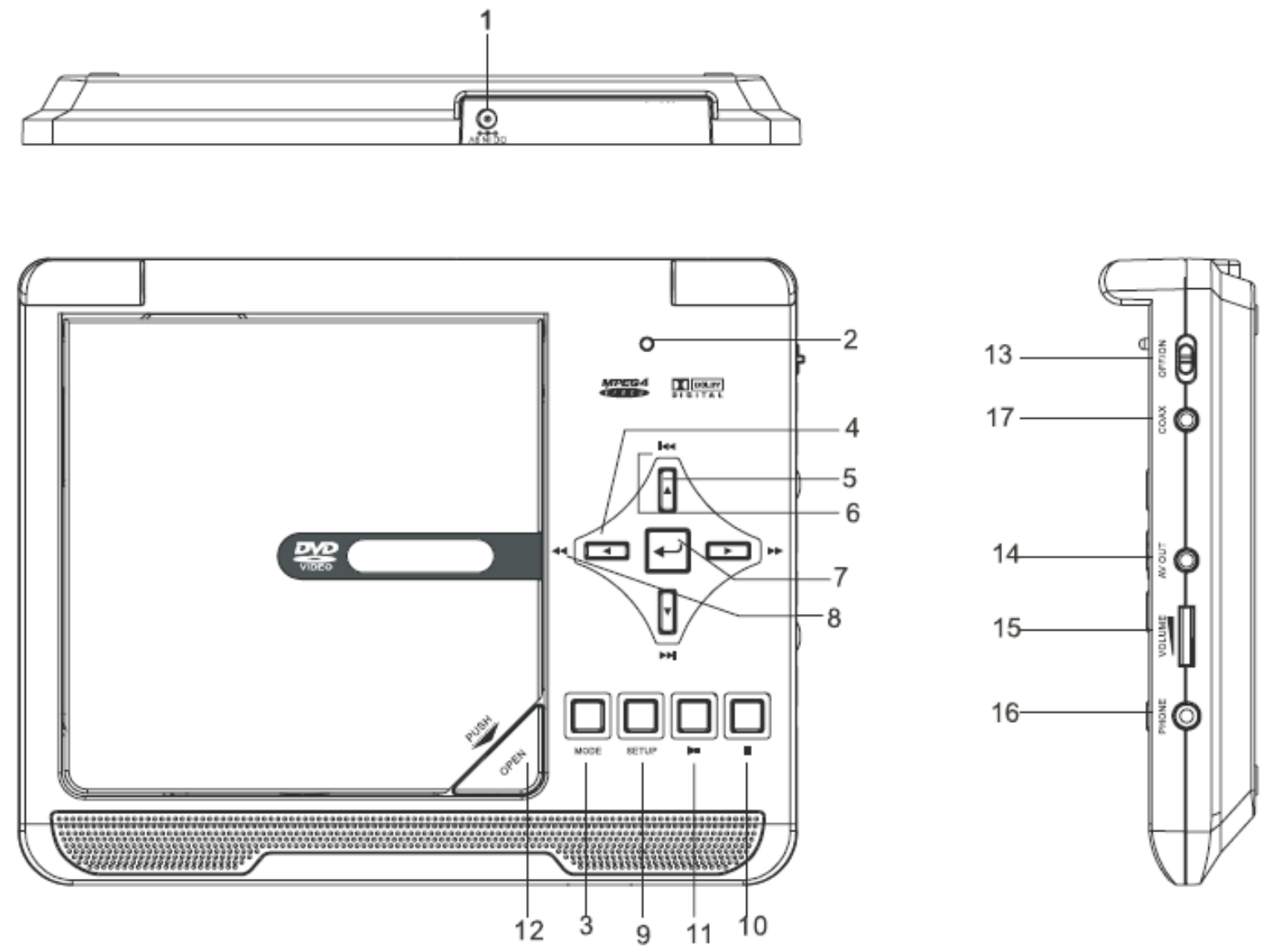
Lecteur DVD portatif avec écran de 7 po

Pour joindre le service à la clientèle, veuillez composer:
1-800-663-5954

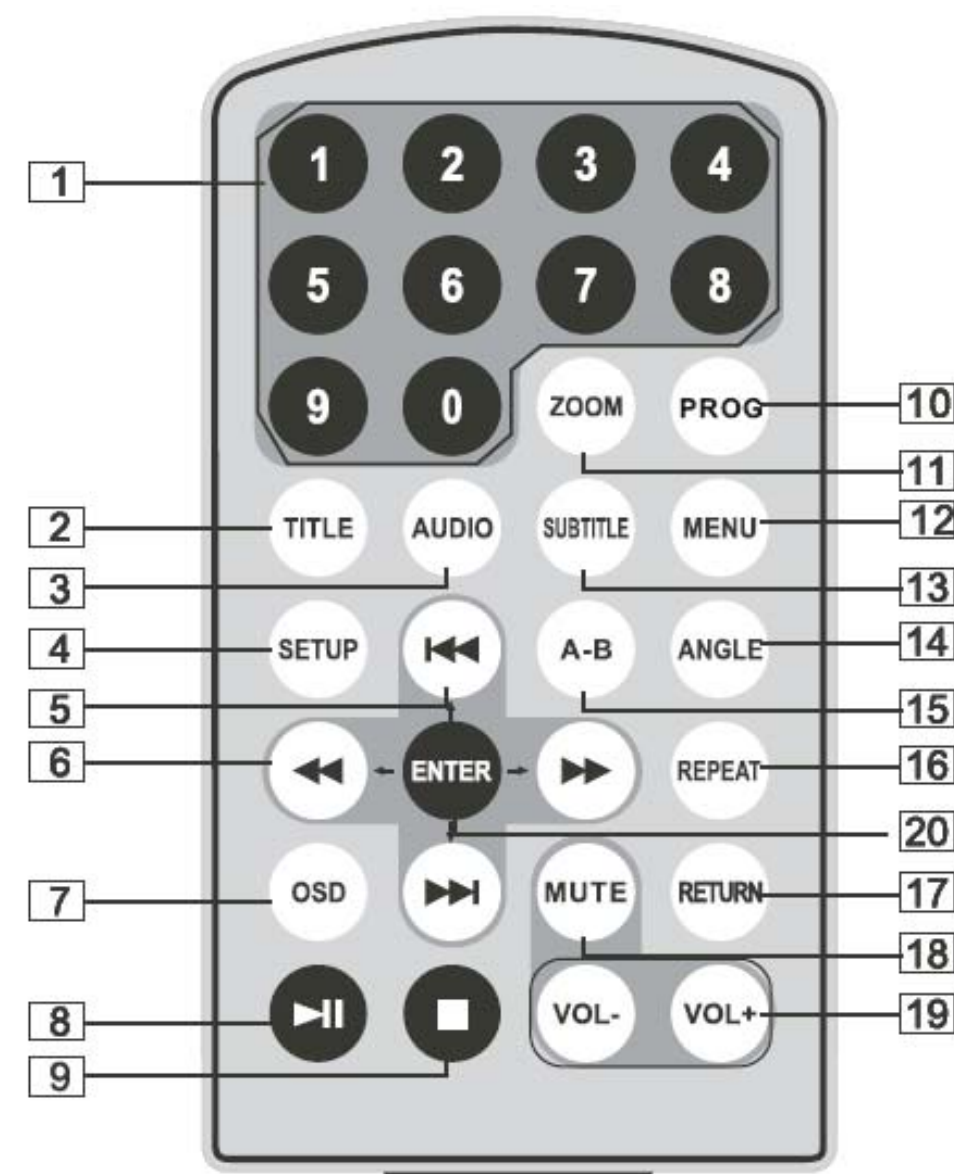
Guide d'utilisation



www.magnasonic.ca



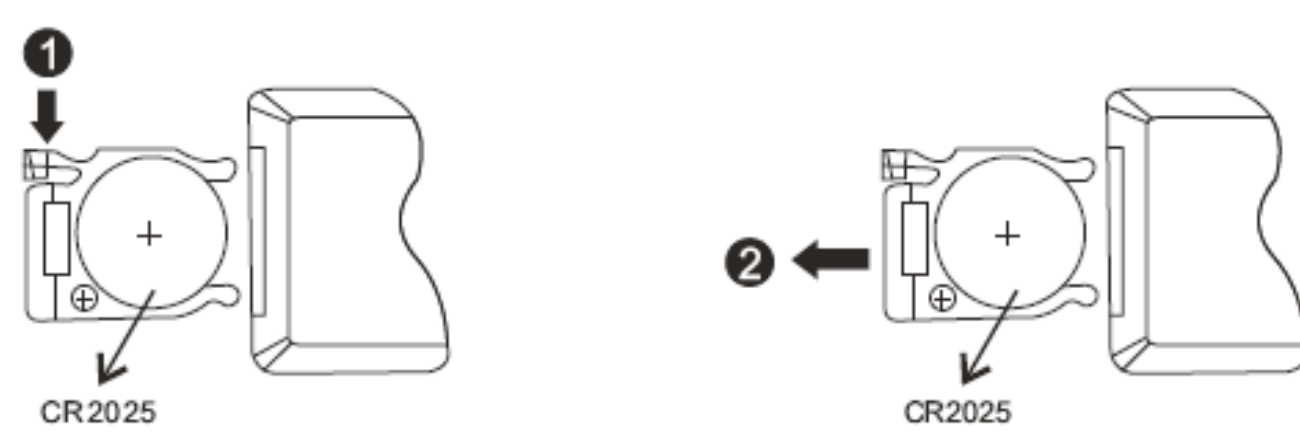
TÉLÉCOMMANDE



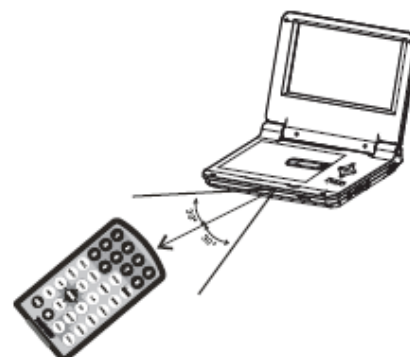
1. Touches numériques
2. Touche titre (TITLE) – Pour faire apparaître à l'écran l'information concernant le titre sur le DVD.
3. Sélectionneur de la bande sonore (AUDIO)
4. Touche de réglage (SETUP) – Pour faire apparaître et disparaître de l'écran le menu de réglage.
5. Touche précédent/suivant (Previous/Next) – En cours de lecture, sert à passer rapidement au prochain chapitre/prochaine scène ou au chapitre suivant/à la scène suivante.
6. Balayage rapide en marche avant/arrière (◀▶) – La vitesse du balayage s'accroît successivement à chaque pression de 2, 4, 8, 16, ou 32 fois.
7. Interrupteur / affichage à l'écran (OSD) – Pour faire apparaître à l'écran des informations telles que le temps de lecture écoulé ou résiduel.
8. Touche de lecture/pause (PLAY/PAUSE)
9. Touche d'arrêt (STOP) – Appuyez une fois pendant la lecture pour arrêter la lecture. appuyez ensuite sur la touche ▶|| pour poursuivre la lecture à partir du point sur le disque où la lecture a été interrompue. Appuyez deux fois sur la touche d'arrêt pour arrêter définitivement la lecture.
10. Touche de programmation (PROG) – Pour effectuer une lecture programmée.
11. Touche ZOOM – Pour effectuer un zoom avant / arrière sur l'image à l'écran, pendant la lecture.
12. Touche MENU – Pour faire apparaître ou disparaître le menu principal de l'écran.
13. Interrupteur / sélectionneur de sous-titres (SUBTITLE) – Pour activer l'affichage des sous-titres et aussi, sélectionner la langue des sous-titres, parmi celles disponibles sur le disque dans l'appareil.
14. Sélectionneur d'angle (ANGLE) – Pour sélectionner l'angle de visionnement qui vous convient parmi celles disponibles sur le disque. Pour ceci, il faut que le disque comporte des scènes filmées simultanément sous plusieurs angles différents.
15. Touche de lecture répétée A-B – Pour répéter la lecture d'une portion spécifique du disque, comprise entre les points A et B. Appuyez une fois sur la touche pour déterminer le point (A) du début, une seconde fois pour déterminer le point (B) de la fin et une troisième fois pour désactiver la lecture répétée A-B.
16. Touche de lecture répétée (REPEAT) – Pour répéter la lecture d'un titre, d'un chapitre, d'une piste ou d'un dossier.
17. Touche retour (RETURN) – Pour revenir au menu principal.
18. Touche de mise en sourdine (MUTE) – Pour couper momentanément la reproduction sonore.
19. Touches de hausse et de baisse du volume (VOL +/-) – Pour hausser ou baisser le volume.
20. Touche de confirmation (ENTER) – Pour confirmer une sélection.

UTILISATION DE LA TÉLÉCOMMANDE

Mettez la pile dans la télécommande en procédant de la façon illustrée ci-dessous.



Lorsque vous utilisez la télécommande, veillez à bien la pointer vers la fenêtre du capteur infrarouge du lecteur DVD. La télécommande ne doit pas se trouver à une distance supérieure à 3 mètres du lecteur DVD pour bien fonctionner. Consultez l'illustration ci-contre.



Remarque

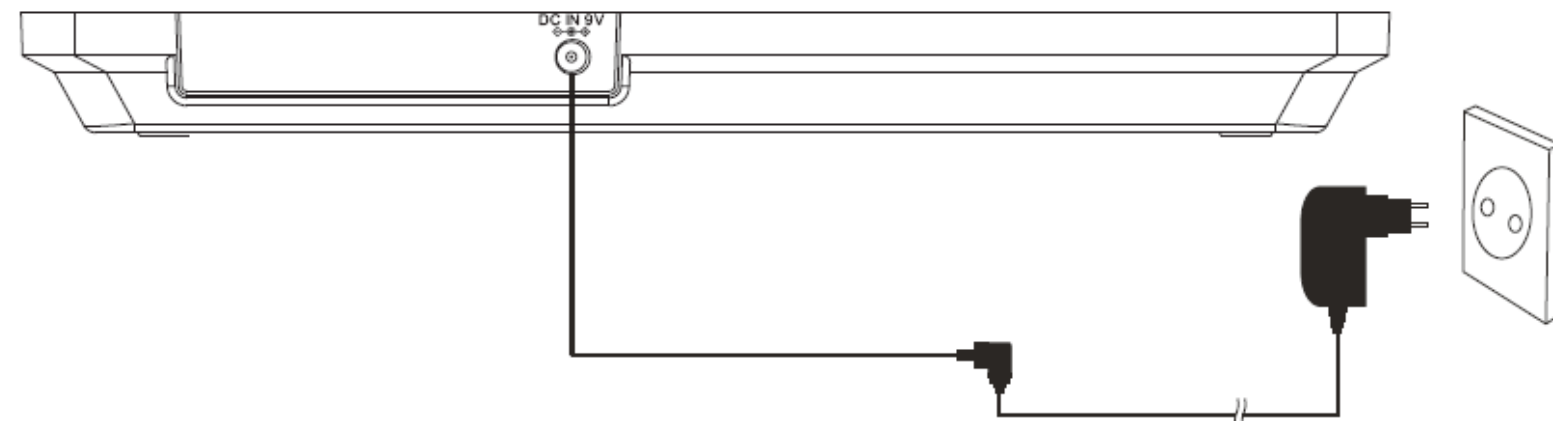
1. Évitez de laisser tomber l'appareil au sol ou de le placer à proximité de l'eau.
2. Évitez de placer le lecteur sous les rayons directs du soleil et ne laissez pas une lumière vive frapper la fenêtre du capteur infrarouge car la télécommande risquerait de mal fonctionner.
3. Lorsque la télécommande ne fonctionne plus correctement, il est temps de remplacer la pile. Utilisez toujours une pile de remplacement possédant exactement les mêmes caractéristiques que la pile originale.

Contenu de la boîte

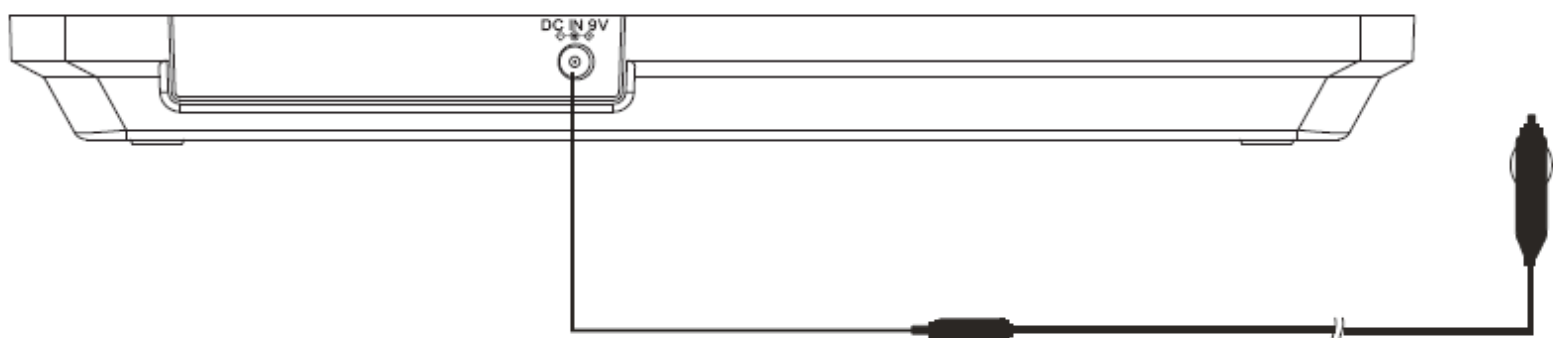
Lecteur DVD avec pile au lithium polymère incorporé	1
Télécommande avec pile	1
Câble de raccordement audio/vidéo	1
Adaptateur d'alimentation CA/CC	1
Adaptateur pour allume-cigarette	1
Guide d'utilisation	1
Écouteurs	1

BRANCHEMENT ET INSTALLATION

Branchez une extrémité de l'adaptateur d'alimentation CA/CC sur l'entrée d'alimentation CC 9 volts (DC IN 9V) du lecteur DVD et l'autre extrémité (celle avec l'adaptateur) sur une prise de courant alternatif. Procédez de la façon illustrée ci-dessous.



Si vous utilisez l'adaptateur pour allume-cigarette pour alimenter l'appareil, Branchez une extrémité de l'adaptateur pour allume-cigarette sur l'entrée d'alimentation CC 9 volts (DC IN 9V) du lecteur DVD et l'autre extrémité sur l'allume-cigarette. Procédez de la façon illustrée ci-dessous.

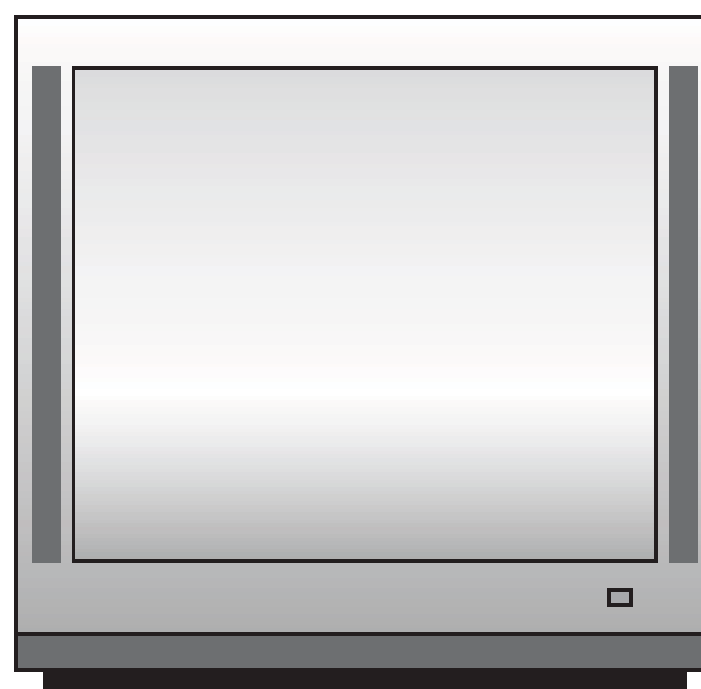
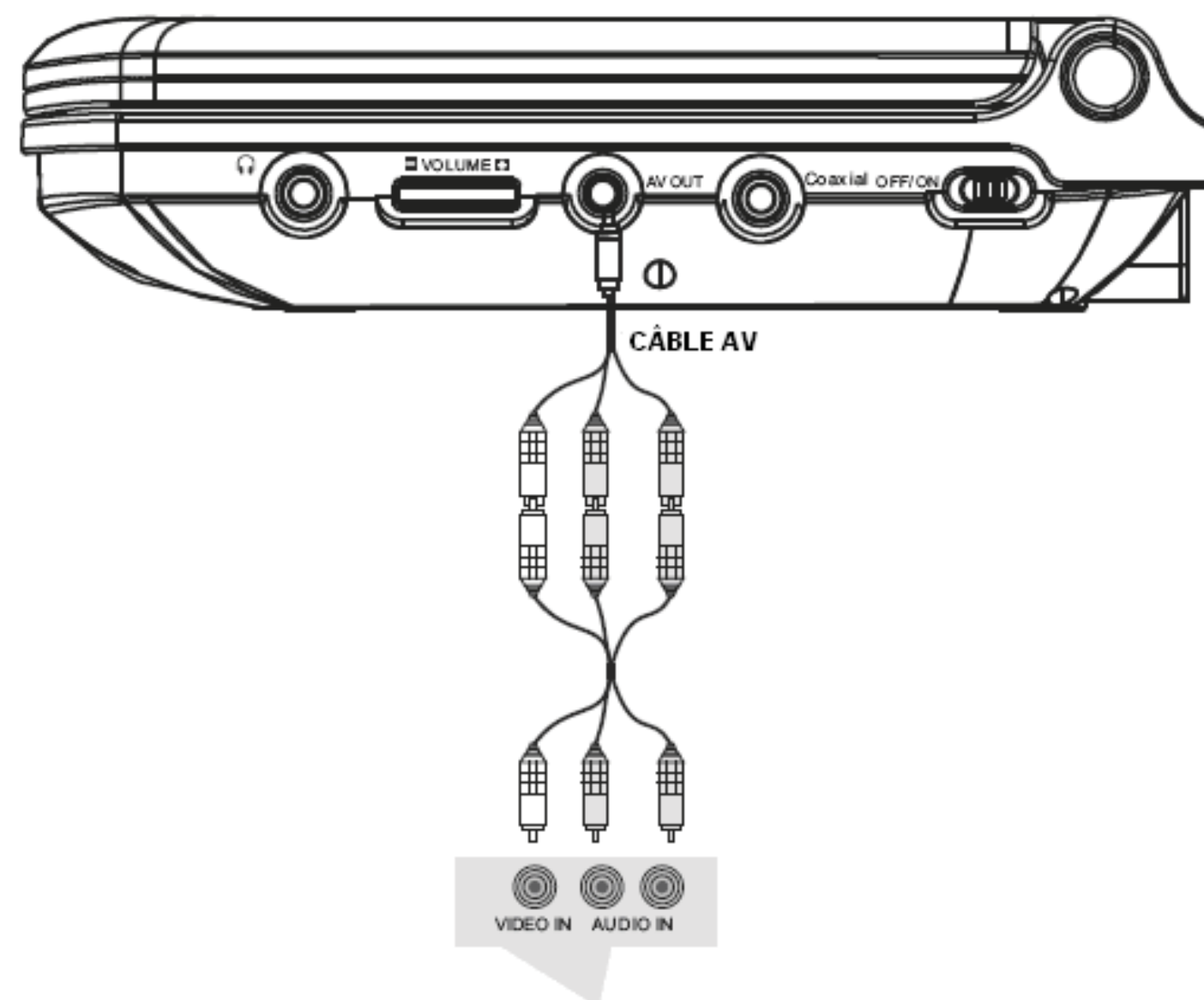


Remarque :

1. L'adaptateur pour allume-cigarette ne peut pas être utilisé pour recharger la pile.
2. Utilisez l'adaptateur pour allume-cigarette seulement sur un véhicule fournissant une tension entre 9 et 12 volts.

RACCORDEMENT À UN TÉLÉVISEUR

Vous pouvez également raccorder le lecteur DVD à un téléviseur afin de profiter d'un écran de meilleure qualité et d'une reproduction sonore stéréo. Procédez de la façon illustrée ci-dessous pour effectuer le raccordement.

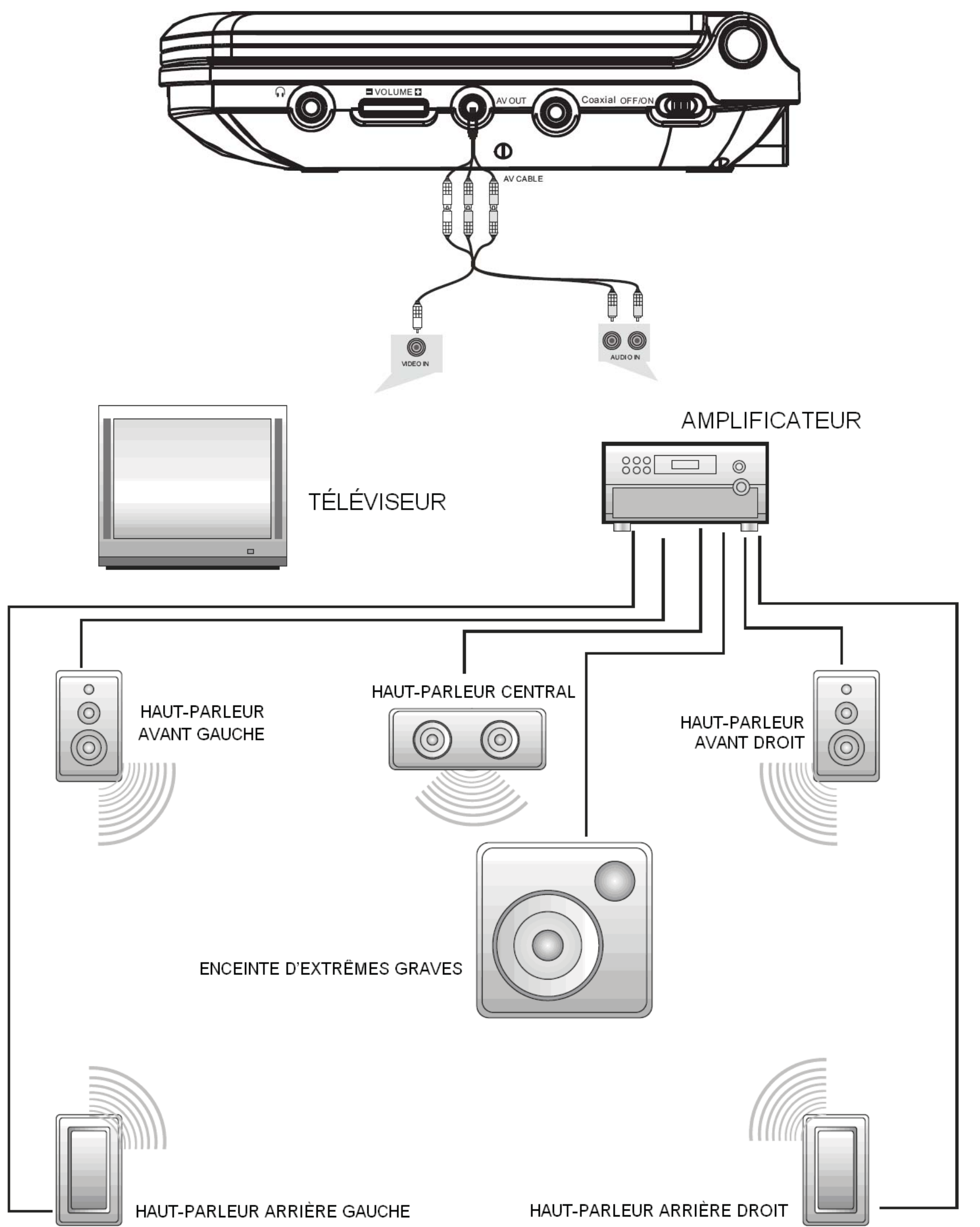


TÉLÉVISEUR

Utilisez le câble de raccordement audio/vidéo qui vient avec l'appareil pour raccorder le lecteur DVD au téléviseur. Veillez à bien brancher les fiches jaune, rouge et blanche sur les bornes de même couleur sur le téléviseur.

RACCORDEMENT À DES HAUT-PARLEURS EXTERNES

Cet appareil peut être raccordé à un amplificateur externe et à des haut-parleurs.



Remarque :
Ce appareil n'est pas doté d'une sortie ambiophonique à 5,1 canaux cependant, si vous le branchez sur un amplificateur, vous pourrez obtenir une reproduction sonore ambiophonique sur 5,1 canaux.

FONCTIONNEMENT



Ce lecteur effectue la lecture des disques et fichiers suivants : DVD, MPEG4, SVCD, VCD, CD.

1. Après avoir branché l'adaptateur d'alimentation de l'appareil sur le réseau électrique, mettez le lecteur en marche en glissant l'interrupteur d'alimentation (ON/OFF) à la position ON.
2. Appuyez sur le poussoir d'ouverture (OPEN) du lecteur pour ouvrir le compartiment à disque. Déposez un disque sur la platine de lecture en veillant à le positionner de manière à ce que le côté avec l'étiquette soit vers le haut.
3. Fermez la porte du lecteur. L'appareil effectuera un bref examen du contenu du disque et entamera sa lecture.
4. Appuyez une fois sur la touche ■ pour arrêter la lecture, puis, appuyez sur la touche ▶|| pour poursuivre la lecture du disque à partir de l'endroit où la lecture avait été interrompue. Appuyez deux fois sur la touche ■ pour arrêter définitivement la lecture.
5. Pendant la lecture, appuyez sur la touche ▶|| pour effectuer une pause dans la lecture. Appuyez sur la touche ▶|| pour poursuivre la lecture.
6. Lorsque vous n'utilisez plus le disque, appuyez sur la touche ■, sortez le disque de l'appareil et éteignez le lecteur en glissant l'interrupteur d'alimentation (ON/OFF) à la position OFF.
7. Avec les disques comportant des menus pour les titres ou chapitres qu'ils contiennent, vous pouvez utiliser la touche MENU pour accéder aux options du menu du disque. Utilisez ensuite les touches ◀▶▶▶▶ pour sélectionner une option et appuyez sur la touche de confirmation (ENTER) pour confirmer votre sélection.



BALAYAGE RAPIDE EN MARCHÉ AVANT / ARRIÈRE



Lorsque vous utilisez un disque DVD, MPEG4 ou VCD, l'appareil peut effectuer des déplacements rapides sur le contenu du disque en marche arrière ou avant.

1. Appuyez sur la touche ▶▶ et le lecteur entamera un déplacement sur le disque en marche avant. Appuyez sur cette touche à plusieurs reprises et la vitesse de déplacement sur le disque s'accroîtra dans l'ordre suivant, à chaque pression successive sur la touche : 2, 4, 8, 16, 32 fois la vitesse régulière puis, le lecteur reviendra à la vitesse régulière.

CONSIGNES DE SÉCURITÉ

ATTENTION
RISQUE DE CHOC ÉLECTRIQUE
NE PAS OUVRIR

MISE EN GARDE

Le symbole représentant un éclair dans un triangle équilatéral a pour but d'avertir l'utilisateur du danger présenté par des pièces non isolées à l'intérieur de l'appareil et dont la tension est suffisante pour provoquer des décharges électriques dangereuses.

Le point d'exclamation dans un triangle équilatéral a pour but d'avertir l'utilisateur que des instructions importantes relatives à l'utilisation et à l'entretien se trouvent dans le guide d'utilisation accompagnant ce lecteur DVD.

AVERTISSEMENTS

Afin d'éviter tout risque d'incendie ou d'électrocution, n'exposez pas cet appareil à la pluie ni à l'humidité.

NE RETIREZ PAS ET N'OUVREZ PAS LE BOÎTIER.

Il y a présence de tension électrique dangereuse à l'intérieur de l'appareil. Ne tentez pas de réparer vous-même l'appareil. Contiez toute réparation à un technicien qualifié. Le réglage ou l'utilisation de commandes ou d'ajustements qui ne sont pas spécifiés dans ce guide peuvent vous exposer à des radiations dangereuses.

MISE EN GARDE : VEUILLEZ CONSERVER CE GUIDE D'UTILISATION POUR TOUTE RÉFÉRENCE ULTÉRIEURE.

Cet appareil a été conçu et fabriqué selon des normes de sécurité très strictes dont le seul objectif est d'assurer votre entière sécurité. Toute utilisation inadéquate peut résulter de sérieux risques d'électrocution ou d'incendie. Les mises en garde contenues dans ce guide vous protégeront si vous observez les bonnes procédures d'installation, d'utilisation et de service. Cet appareil ne contient aucune pièce pouvant être réparée par l'utilisateur.

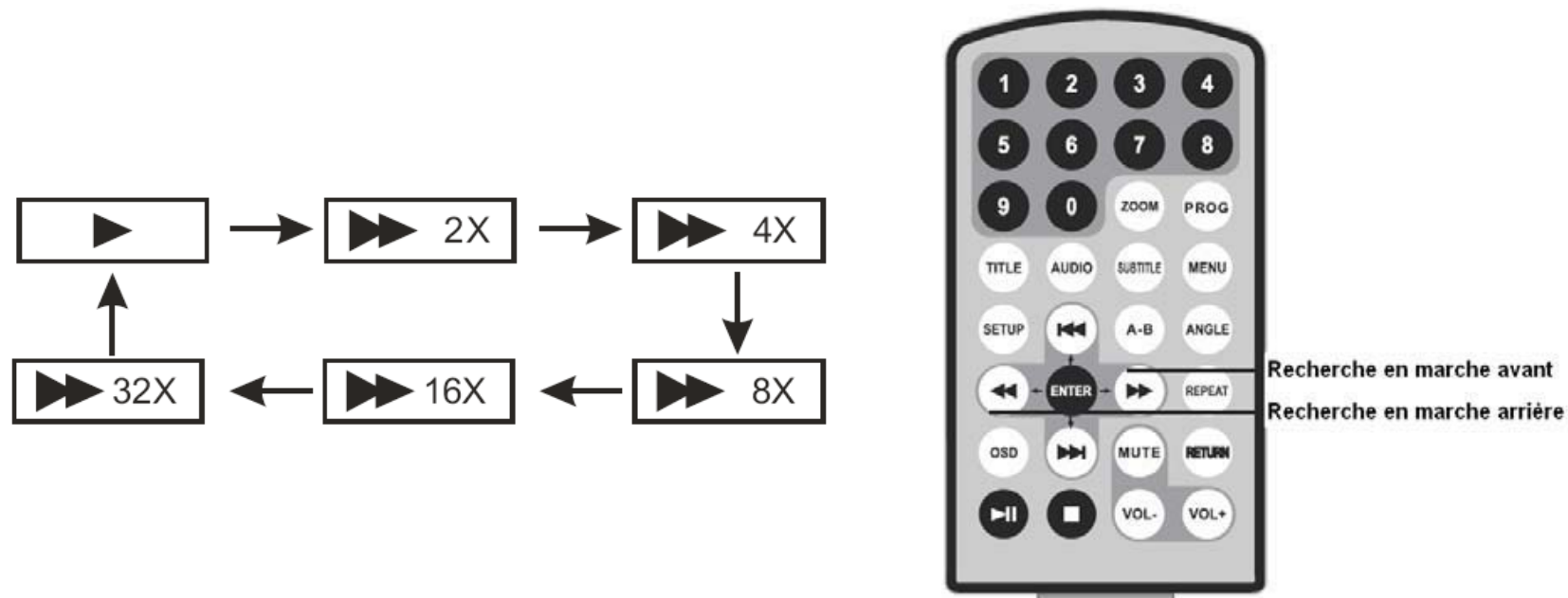
1. Lisez ces instructions.
2. Conservez ces instructions.
3. Respectez toutes les mises en garde.
4. Suivez les instructions.
5. N'utilisez pas cet appareil près de l'eau ni d'autres sources d'humidité.
6. N'utilisez qu'un linge doux et sec pour le nettoyage.
7. Nettoyez l'écran ACL de cet appareil à l'aide d'une solution spécifiquement conçue pour le nettoyage des écrans d'ordinateurs portables ou de moniteurs d'ordinateurs. Vous trouverez celles-ci dans la plupart des boutiques d'appareils électroniques grand public.
8. Avant de brancher l'appareil sur le réseau électrique, assurez-vous que la tension de celui-ci corresponde à celle de l'appareil et de l'adaptateur d'alimentation.
9. N'obstruez pas les ouvertures d'aération de l'appareil. Respectez les directives du fabricant en rapport avec l'installation.
10. N'installez pas l'appareil près de sources de chaleur telles que les plinthes électriques, poêles à combustion ou tout autre dispositif produisant de la chaleur (y compris les amplificateurs).
11. Ne plongez pas l'appareil, l'adaptateur d'alimentation ni aucun autre accessoire dans l'eau ni aucun autre liquide.
12. Débranchez l'appareil pendant les orages électriques ou lorsque vous ne l'utilisez pas pendant une longue période.
13. N'utilisez que les accessoires et fixations recommandés par le fabricant.
14. Déroulez et mettez le cordon d'alimentation droit avant de l'utiliser.
15. **Domages nécessitant des réparations**
Débranchez l'appareil et consultez un technicien qualifié dans les cas suivants:
A. Si vous avez renversé du liquide dans l'appareil ou si des objets ont été échappés dans le boîtier.
B. Si l'appareil a été exposé à la pluie ou à l'eau.
C. Si l'appareil ne fonctionne pas normalement en suivant les instructions. N'ajustez que les commandes décrites dans le guide d'utilisation, car un mauvais ajustement des commandes peut endommager l'appareil, ce qui demanderait un travail plus substantiel de la part du technicien pour remettre l'appareil en état de fonctionner.
D. Si l'appareil a été échappé ou le boîtier, endommagé.
E. Si l'appareil démontre une nette altération de sa performance – ceci indique qu'il doit être confié à un centre de service pour inspection.
16. **Réparation**
Ne tentez jamais de réparer vous-même cet appareil vidéo, car le fait d'ouvrir le(s) couvercle(s) de celui-ci pourrait vous exposer à des tensions néfastes ou autres dangers similaires. Consultez un technicien qualifié pour tout appel de service.
17. **Pièces de rechange**
Lorsque vous avez besoin de pièces de rechange, assurez-vous que le technicien utilise des pièces de remplacement reconnues par le fabricant et qui possèdent les mêmes caractéristiques que la pièce d'origine. Toute mauvaise substitution peut causer des incendies, chocs électriques ou autres dangers similaires.
18. **Safety Check**
Upon completion of any service or repairs to this product, ask the service technician to perform safety checks to determine that the product is in proper operating condition.
19. Les versions américaines et canadiennes de cet appareil sont conformes aux exigences et ont reçu les homologations FCC et cUL.

PRINCIPALES CARACTÉRISTIQUES

- Écran ACL de 7 pouces à haute luminosité
- Effectue la lecture de disques : DVD, CD, VCD, MPEG4, CD et fichiers JPEG
- Haut-parleurs stéréo incorporés
- Pile au lithium polymère rechargeable
- Compatible aux systèmes de télévision PAL et NTSC
- Affichage à l'écran en anglais et en français
- Fonctions d'avance rapide en marche avant / arrière et de lecture répétée
- Fonction de zoom avant / arrière
- Prise pour écouteurs

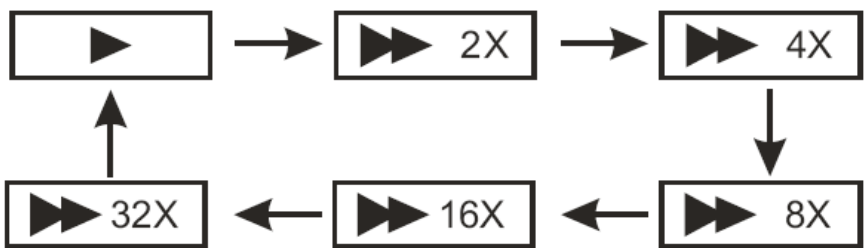
DESCRIPTION DE L'APPAREIL

1. Entrée d'alimentation CC 9 volts
2. Interrupteur de l'écran ACL
3. Sélectionneur de mode (MODE)
4. ◀▶
5. ◀▶▶▶▶
6. ▶▶▶▶▶
7. Touche de confirmation (ENTER)
8. ◀▶▶▶▶
9. Touche de réglage (SETUP)
10. Touche d'arrêt (STOP)
11. Touche de lecture/pause (PLAY/PAUSE)
12. Poussoir d'ouverture (OPEN)
13. Interrupteur d'alimentation (ON/OFF)
14. Sortie audio/vidéo (AV OUT)
15. Commande de volume
16. Prise pour écouteurs
17. Borne coaxiale



Recherche en marche avant
Recherche en marche arrière

2. Appuyez sur la touche et le lecteur entamera un déplacement sur le disque en marche arrière. Appuyez sur cette touche à plusieurs reprises et la vitesse de déplacement sur le disque s'accroîtra dans l'ordre suivant, à chaque pression successive sur la touche : 2, 4, 8, 16, 32 fois la vitesse régulière puis, le lecteur reviendra à la vitesse régulière.



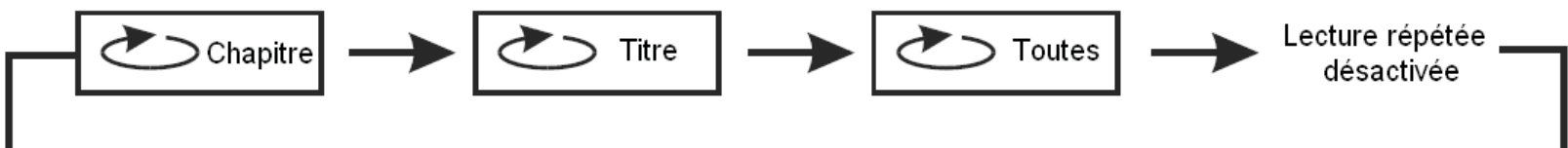
LECTURE RÉPÉTÉE ET VISIONNEMENT SOUS PLUSIEURS ANGLES

Lecture répétée

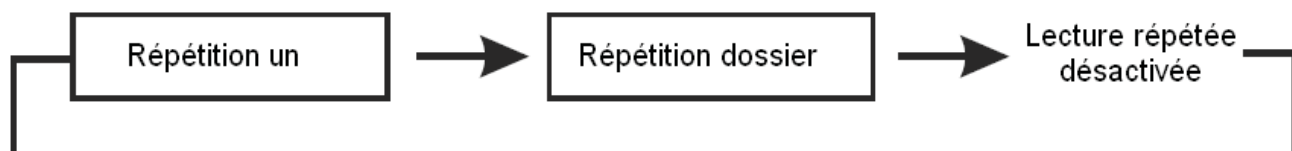


Lors de la lecture d'un disque DVD, MPEG4, SVCD, VCD, ou CD, vous pouvez activer la lecture répétée d'un titre, d'un chapitre ou de tout le disque.

Lorsqu'il s'agit d'un DVD, appuyez sur la touche de lecture répétée (REPEAT). À la première pression de la touche, la lecture répétée du chapitre en lecture sera activée. À la seconde pression de la touche, la lecture répétée d'un titre en lecture sera activée. À la troisième pression de la touche, la lecture de tout le disque sera activée. À la quatrième pression de la touche, la lecture répétée sera entièrement désactivée.



Lorsqu'il s'agit d'un disque contenant des fichiers MP3, appuyez sur la touche de lecture répétée. À la première pression de la touche, la lecture répétée du fichier musical en lecture sera activée. À la seconde pression de la touche, la lecture répétée de tout le dossier de fichiers musicaux en lecture sera activée. À la troisième pression de la touche, la lecture répétée sera entièrement désactivée.



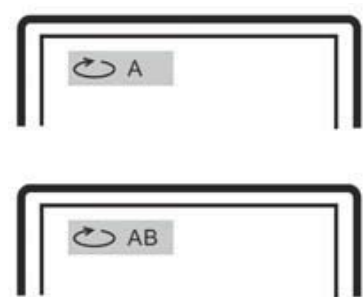
Lecture répétée d'une portion A-B du disque



Lors de la lecture d'un disque DVD, MPEG4, SVCD, VCD, ou CD, vous pouvez activer la lecture répétée d'une portion spécifique du disque dans l'appareil.

Pendant la lecture du disque, appuyez sur la touche A-B lorsque l'appareil atteint le point sur le disque à partir duquel vous désirez que débute la lecture répétée (le point A). Lorsque le lecteur atteint le point sur le disque où vous désirez que s'arrête la lecture répétée (le point B), appuyez de nouveau sur la touche A-B. Dès lors, le lecteur DVD entamera la lecture répétée de la portion du disque que vous venez d'identifier, soit entre les points A et B.

Pour arrêter la lecture répétée d'une portion A-B du disque, appuyez de nouveau sur la touche A-B.



Sélection de l'angle de visionnement

Lorsque vous utilisez un disque comportant certaines scènes qui ont été filmées sous plusieurs angles, appuyez sur le sélecteur d'angle (ANGLE). Vous verrez alors apparaître à l'écran le symbole d'une caméra indiquant le nombre d'angles de visionnement pour la scène en particulier que vous regardez. Le premier chiffre indique le numéro d'angle et le second, le nombre total d'angles de visionnement disponibles pour cette séquence. Appuyez sur la touche ANGLE pour passer d'un angle à l'autre et choisir celui qui vous convient.

Touches numériques
Touche de lecture répétée A-B
Sélecteur d'angle



Remarque :

Ce fonction ne peut être utilisée qu'avec les disques comportant des scènes filmées simultanément sous plusieurs angles différents.

ZOOM AVANT / ARRIÈRE



Lors de la lecture d'un disque DVD, MPEG4, SVCD, VCD, ou CD, vous pouvez effectuer un zoom avant ou arrière sur l'image à l'écran.

Pendant la lecture du disque, appuyez sur la touche ZOOM pour agrandir l'image à l'écran. Appuyez à plusieurs reprises sur la touche ZOOM pour accentuer successivement l'agrandissement dans l'ordre suivant : 2, 3 et 4 fois la taille normale. Après la quatrième pression de la touche ZOOM, l'appareil passera en mode zoom arrière et réduira la taille de l'image successivement, à chaque pression de la touche, dans l'ordre suivant : 1/2, 1/3 et 1/4 la taille normale. Appuyez une autre fois sur la touche ZOOM pour faire réapparaître à l'écran l'image dans sa taille normale.

Lorsqu'une image est agrandie à l'écran, utilisez les touches pour déplacer celle-ci.



Zoom avant/arrière



LECTURE DE FICHIERS JPEG

- Mettez un disque contenant des fichiers JPEG dans le lecteur. Ce dernier entamera automatiquement la lecture du disque.
- Appuyez sur la touche MENU pour consulter la liste des fichiers JPEG contenus sur le disque.
- Appuyez sur les touches pour sélectionner un fichier JPEG et appuyez sur la touche de confirmation (ENTER) pour confirmer votre sélection.
- Appuyez sur la touche pour faire pivoter l'image dans le sens antihoraire à l'écran et appuyez sur la touche pour faire pivoter l'image dans le sens horaire à l'écran.
- Appuyez sur l'interrupteur de l'affichage à l'écran (OSD) lors du visionnement des images, vous pourrez alors choisir le mode de transition entre les photos, parmi les suivants:

- De haut en bas.
- De bas en haut.
- Du côté gauche au côté droit.
- Du côté droit au côté gauche.
- Du coin supérieur gauche au coin inférieur droit.
- Du coin supérieur droit au coin inférieur gauche.
- Du coin inférieur gauche au coin supérieur droit.
- Du coin inférieur droit au coin supérieur gauche.
- Du centre horizontal vers les deux côtés gauche et droit.
- Du centre vertical vers les deux côtés gauche et droit.
- Du haut et du bas vers le centre.
- Des côtés gauche et droit vers le centre.
- De quatre fenêtres, de haut en bas.
- De quatre fenêtres, de gauche à droite.
- Des quatre coins vers le centre.

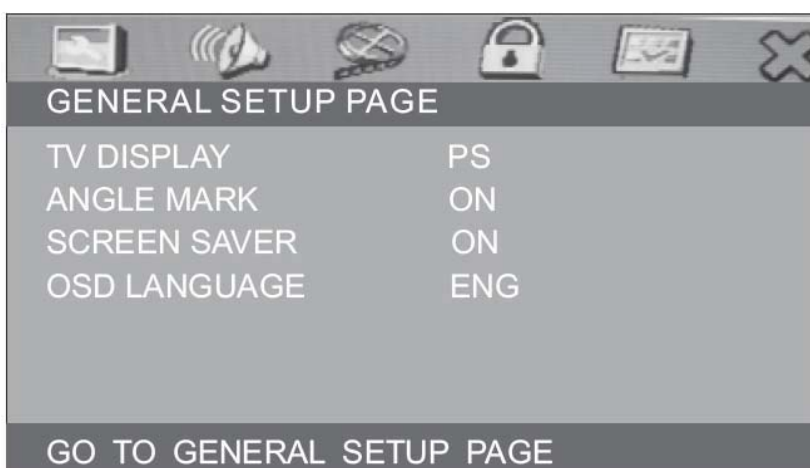
- Pendant le visionnement des fichiers, il se peut que le symbole apparaisse à l'écran si vous appuyez sur les touches ANGLE, SUBTITLE, AUDIO, A-B ou TITLE. Cela est pour vous avertir que ces fonctions ne peuvent être utilisées avec le disque se trouvant dans l'appareil.
- Lors du visionnement de fichiers JPEG, appuyez sur la touche et les images apparaîtront à l'écran en mode vignette. Utilisez alors les touches de navigation et la touche de confirmation (ENTER) pour sélectionner l'image que vous désirez voir à l'écran.

RÉGLAGE SYSTÈME

Appuyez sur la touche de réglage (SETUP) pour faire apparaître le menu principal à l'écran.

Appuyez sur les touches pour mettre en surbrillance l'option des réglages généraux (General Setup Page). Appuyez sur la touche de confirmation (ENTER) pour y accéder. Appuyez sur les touches pour sélectionner le réglage que vous désirez effectuer. Appuyez sur la touche de confirmation (ENTER) pour confirmer votre sélection.

Appuyez sur la touche pour sortir de ce menu.



Réglages généraux (General Setup Page)

Format de l'image à l'écran :

Cette option vous permet de choisir dans quel format apparaîtra l'image à l'écran. Les options sont : panoramique 4:3 (Pan Scan), boîte à lettres 4:3 (Letter Box) ou grand écran 16:9 (Wide).

Remarque :

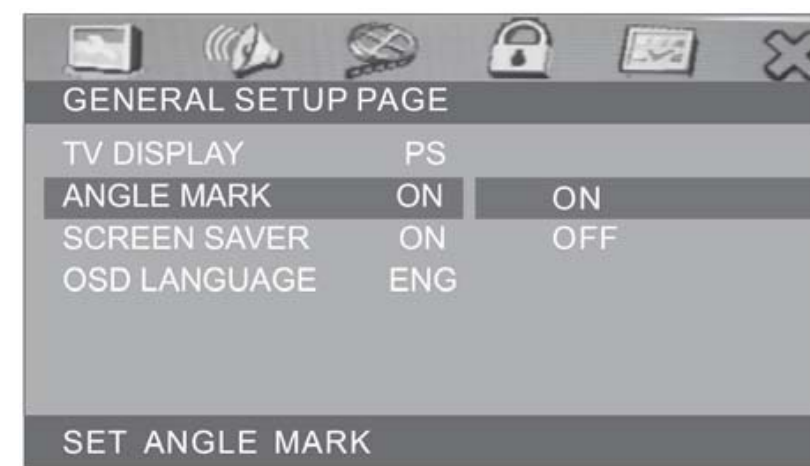
- Cette fonction dépend du rapport de cadre dans lequel le DVD a été enregistré.
- Choisissez l'option 16:9 WIDE si vous utilisez un téléviseur grand écran.
- Le réglage par défaut de cette option est 4:3 Pan Scan.



Indicateur d'angle :

Accédez à cette option pour activer l'affichage de l'indicateur d'angle lorsque le lecteur atteint une scène filmée sous plusieurs angles différents. Vous avez le choix d'activer (ON) ou de désactiver (OFF) l'indicateur d'angle.

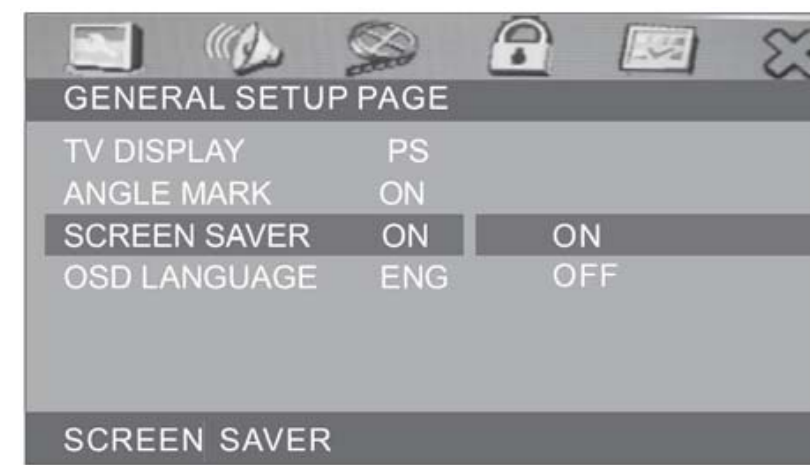
Cette fonction est activée (ON) par défaut.



Économiseur d'écran :

Accédez à cette option pour activer (ON) ou désactiver (OFF) l'économiseur d'écran.

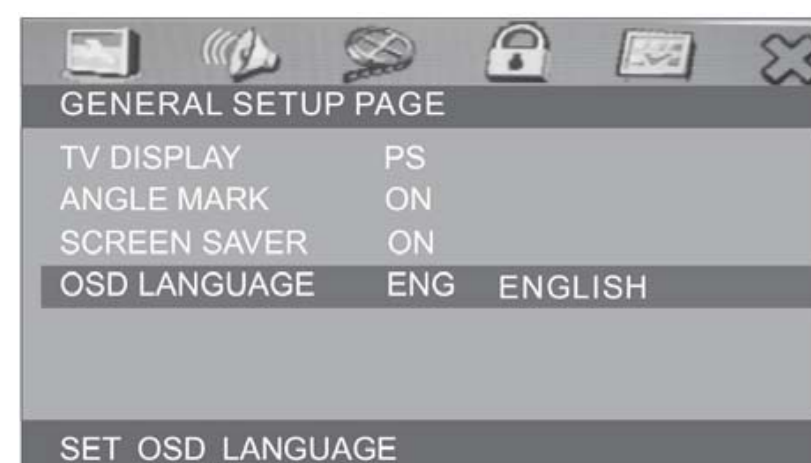
L'économiseur d'écran est activé (ON) par défaut.



Langue de l'affichage à l'écran :

Cette option vous permet de choisir la langue dans laquelle apparaîtra l'affichage à l'écran (OSD).

L'anglais est le réglage par défaut de l'affichage à l'écran.



Réglage audio (Audio Setup Page)

Cette option vous permet d'ajuster la qualité du son dans le signal audio de sortie.

Il y a trois éléments à régler : haut-parleurs, audio numérique et CD HD.



Réglage vidéo (Video Setup Page)

Cette option vous permet d'ajuster la qualité de l'image dans le signal vidéo de sortie.

Il y a quatre aspects à régler : luminosité, contraste, intensité chromatique et saturation.

Le réglage par défaut de toutes ces options est 00.



Réglage mot de passe (Password Setup Page)

Contrôle parental :

Cette option vous permet de programmer un mot de passe (de 4 chiffres) qui vous permettra d'accéder à la fonction de contrôle parental afin de restreindre le visionnement, avec ce lecteur DVD, de certaines émissions ou films en raison de leur contenu.

Le mot de passe par défaut est : 8888



Réglage des préférences (Preference Page)

Système de télévision :

Accédez à cette option pour choisir le format du système de télévision. Les options sont : PAL, AUTO ou NTSC.

Le réglage par défaut de cette option est NTSC.



Audio :

Accédez à cette option pour sélectionner la langue de la bande sonore qui vous convient – parmi celles disponibles sur le disque que vous utilisez.

L'anglais est le réglage par défaut de cette option.



Remarque :

- Le choix de la langue pour la bande sonore dépend de chaque disque, du nombre de bandes sonores contenues sur le disque que vous utilisez.
- La sélection de la langue de la bande sonore peut également s'effectuer, en appuyant sur la touche SUBTITLE se trouvant sur la télécommande.

Sous-titres :

Cette option vous permet d'activer (ON) ou désactiver (OFF) l'affichage des sous-titres à l'écran et aussi de choisir la langue dans laquelle les sous-titres apparaîtront à l'écran.

Par défaut, l'affichage des sous-titres est désactivé (OFF).

Le choix de la langue pour les sous-titres dépend de chaque disque, du nombre de sous-titres contenus sur le disque que vous utilisez. L'activation et la désactivation de l'affichage des sous-titres ainsi que la sélection de la langue des sous-titres peuvent également s'effectuer en cours de visionnement, en appuyant sur la touche SUBTITLE se trouvant sur la télécommande.



Classement du contrôle parental :

Cette option vous permet de choisir le niveau de classement à partir duquel le visionnement sera restreint sur ce lecteur DVD. Ceci vous permet d'éviter que des enfants regardent des films ou émissions qui ne leur conviennent pas.

Options de réglage du dispositif de contrôle parental : KID, G, PG, PG-13, PGR, R, NC-17 et ADULT

Le réglage par défaut est ADULT, ce qui permet de visionner tous les contenus sans aucune restriction.



Menus des disques :

Cette option vous permet de choisir la langue dans laquelle les menus des disques apparaîtront à l'écran, parmi les langues de menus disponibles sur le disque que vous utilisez, évidemment.

L'anglais est le réglage par défaut de cette option.

Remarque : Le choix de la langue pour les menus du disque dépend du disque lui-même, du nombre de langues pour les menus contenu sur le disque que vous utilisez.



Réglages par défaut :

Cette option vous permet de revenir à tous les réglages initiaux, ceux programmés en usine lors de la fabrication du lecteur DVD portatif.



FICHE TECHNIQUE ET USAGE DE LA PILE RECHARGEABLE

Fiche technique

Formats compatibles : DVD / VCD / CD / SVCD / MPEG4
Type de signal télévisé : PAL / NTSC
Taille de l'écran : 7 pouces TFT
Réponse de fréquence : 20 Hz to 20 kHz
Sortie vidéo : 1 Vp-p/75 Ohm, non équilibré
Sortie audio : 1,4 Vrms/10 k ohms
Rapport signal / bruit : > 80 dB

Source d'alimentation : CC 9 – 12 volts
Consommation : 10 watts
Température de fonctionnement : de 5 – 40°C
Poids : 0,786 kg
Dimensions (L x P x H) : 206 x 152 x 41 mm
Type de pile : au lithium polymère
Gamme dynamique : > 85 dB

Laser : Laser semi-conducteur, longueur d'ondes 650 nm / 795 nm

Usage de la pile rechargeable

Le lecteur DVD portatif est doté d'une pile au lithium polymère longue durée pour l'alimenter lorsqu'une source de courant électrique ne se trouve pas à proximité. La pile ne possède pas de mémoire incorporée et par conséquent elle peut être rechargée en toute sécurité, qu'elle soit entièrement ou partiellement chargée. Il faut compter environ 2 heures pour charger la pile au complet. Ne chargez jamais la pile plus de 6 heures d'affilée car vous risquez ainsi de l'endommager ou de provoquer de sérieuses blessures en raison de la surchauffe de l'appareil.

Précautions à prendre lors de la charge de la pile

La pile peut être chargée seulement lorsque le lecteur est éteint (interrupteur d'alimentation à OFF) et qu'il est branché sur une source de courant électrique. Le voyant ROUGE de charge passe au JAUNE lorsque la pile est complètement chargée.

Usage et entretien de la pile rechargeable

- La température de fonctionnement de la pile oscille entre 0°C et 45°C.
- Débranchez toujours l'appareil de toute source d'alimentation lorsque vous ne l'utilisez pas.
- Il est normal que le lecteur DVD génère de la chaleur lorsqu'il fonctionne toutefois, il est préférable de ne pas faire fonctionner l'appareil sans surveillance pendant de longues périodes de temps.
- Évitez de laisser l'appareil heurter le sol, de placer des objets sur l'appareil ou de le mettre dans un endroit où il serait exposé à la chaleur extrême car vous risquez ainsi d'entraîner des blessures sérieuses ou des dommages à l'appareil.

GUIDE DE DÉPANNAGE

PROBLÈME	SOLUTION
Aucun son ou distorsion dans le son.	Vérifiez si le lecteur DVD portatif est correctement branché. Vérifiez si tous les câbles sont entièrement insérés dans les bornes appropriées.
Impossible de faire une marche avant rapide dans le film.	Il est impossible d'avancer rapidement dans la portion du tout début du disque, l'introduction et les avertissements d'usage que l'on voit au début de chaque film. Tous les DVD sont programmés de manière à empêcher cette commande. La fonction ou la commande que vous tentez d'utiliser ne peut être utilisée ou effectuée parce que : 1. La programmation du disque lui-même l'interdit. 2. Le disque n'est pas doté de cette fonction ou de cette commande (ex. Un disque ne comportant pas de scènes filmées sous plusieurs angles. 3. La fonction que vous désirez utiliser n'est pas disponible pour le moment. 4. Vous demandez un numéro de titre ou de chapitre qui n'existe pas sur le disque.
Le symbole apparaît à l'écran.	Le disque est peut-être endommagé. Essayez un autre disque. Il est normal que l'image présente de la distorsion pendant le balayage rapide du disque en marche avant ou arrière.
Distorsion dans l'image.	Certains disques sont pourvus de sections qui empêchent le balayage rapide ou le saut de chapitre. Si vous tentez de sauter l'introduction et les avertissements au début du disque, vous n'y arriverez pas. Cette portion des disques est programmée pour un visionnement obligatoire et il est impossible d'effectuer un balayage rapide au début.
Impossible d'effectuer un balayage du disque en marche avant ou arrière	

Magnasonic investit sans relâche dans l'amélioration continue de la qualité et des caractéristiques de ses produits. Les caractéristiques du présent appareil sont donc sujettes à modification sans préavis.

Free Manuals Download Website

<http://myh66.com>

<http://usermanuals.us>

<http://www.somanuals.com>

<http://www.4manuals.cc>

<http://www.manual-lib.com>

<http://www.404manual.com>

<http://www.luxmanual.com>

<http://aubethermostatmanual.com>

Golf course search by state

<http://golfingnear.com>

Email search by domain

<http://emailbydomain.com>

Auto manuals search

<http://auto.somanuals.com>

TV manuals search

<http://tv.somanuals.com>