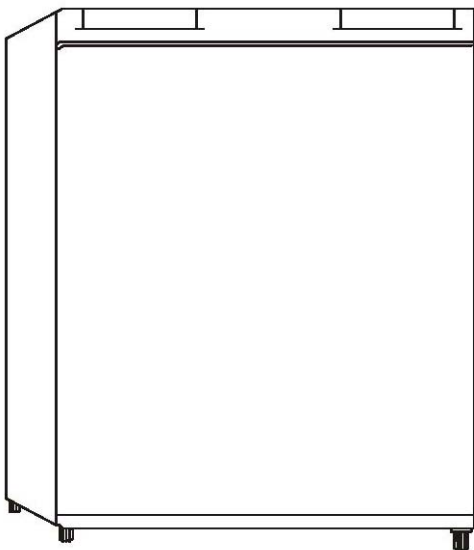


# MAGNASONIC

1.8cu.ft Compact Refrigerator

**MODEL # MF7018-3**

**Instruction Manual**

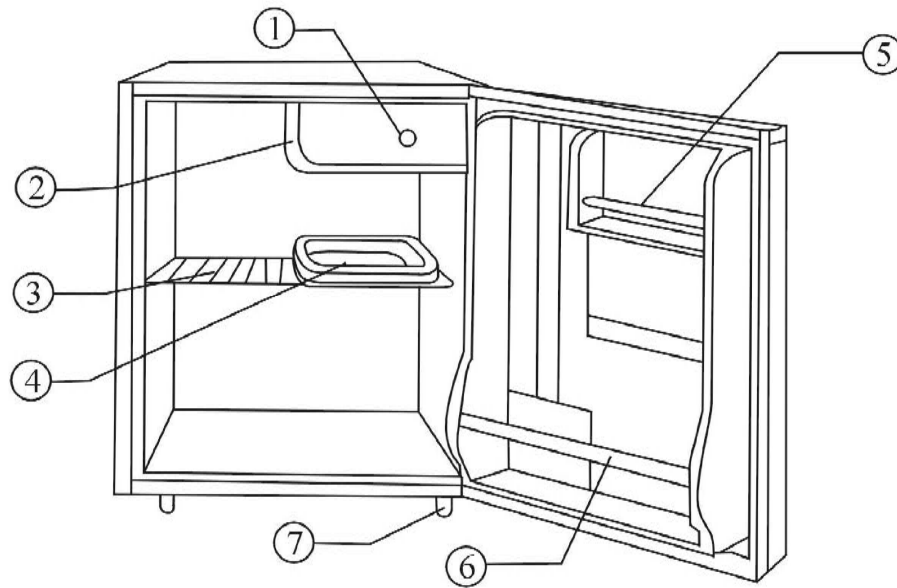


Thank you for your purchase of this Sylvania product. Please read this Instruction Manual carefully before using product to ensure proper use. Keep this manual in a safe place for future reference.

For Customer Assistance Call:

**1-800-663-5954**

## PRODUCT OVERVIEW



1. Thermostat Control Knob
2. Freezer Compartment
3. Removable Shelf
4. Drip Tray
5. Dairy Rack
6. Bottle Rack
7. Adjustable Legs

## PRECAUTIONS

### Placement

Make sure the following placement requirements are adhered to in order to ensure that the refrigerator will work properly. The back of the refrigerator needs to be positioned at least 5 inches from the wall. Each of the sides of the refrigerator requires at least 5 inches of distance from the surrounding walls. The refrigerator requires at least 10 inches of clearance above it. Finally, the refrigerator requires enough clearance so the door can open up fully (up to 160 degrees).

**IMPORTANT: This refrigerator is NOT designed for recessed installation.**

### Power Supply

**WARNING** – Improper use of the grounding plug can result in a risk of electric shock. If it is necessary to use an extension cord, although it is **NOT RECOMMENDED**, use only an extension cord that has a 3-blade grounding plug and a 3-slot receptacle that will accept the plug on the refrigerator. The marked rating of the extension cord should be AC 115-120V, 10A or more. If a grounding adapter is used, make sure the receptacle box is fully grounded.

## **Power Cord**

If the refrigerator's power cord is damaged, have it replaced by a qualified technician. Make sure that the power cord is not placed in a location where it can be stepped on or become damaged. The power cord should be kept away from the compressor at the back of the refrigerator because of the high temperature emitted from the compressor during operation. Failing to do so may damage the power cord insulation and in turn cause electricity leakage.

## **Protection from Moisture**

Avoid placing the refrigerator in a very humid environment. This will minimize the risk of corrosion of certain components. Do not spray / pour water directly onto the refrigerator.

## **Protection from Heat**

The refrigerator should be far away from any heat source or direct sunshine.

## **Stable Footing**

The floor / surface on which the refrigerator will be placed must be completely even and solid. It should not be placed on any soft materials such as foam, plastic etc. If the refrigerator does not appear to be level, adjust the leveling legs accordingly.

## **Protection from Dangerous Materials / Liquids**

It is inadvisable to place the refrigerator near any volatile and / or combustible materials and / or liquids such as gasoline, lacquer and banana oil. The above-mentioned materials / liquids should also not be stored inside the refrigerator.

## **Transporting the Refrigerator**

When moving or fixing the refrigerator, (the refrigerator should only be fixed by a qualified service technician. Call 1-800-287-4871 to find the closest service centre near you) do not tilt it, at any time, at an angle of 45 degrees or more. Never turn the refrigerator upside down at any time, for any reason.

## **Other Precautions**

- If you have bought this refrigerator to replace an old one equipped with a lock that cannot be opened from the inside, make sure the lock is broken. This will make it impossible for children to lock themselves inside the refrigerator
- Do not touch cold surface on refrigerator while it's operating, especially not with wet hands because the skin may stick to the cold surfaces
- Do not freeze liquids because they expand and could cause the containers in which they are stored (i.e. glass) to explode because of the pressure
- Do not defrost the freezer with other electrical devices (i.e. hair dryer) and never scrape the ice or frost layer with sharp objects

## Prior to First Time Use

- Before connecting the appliance to the power outlet, let it stand for about 2 hours. This will reduce the possibility of malfunctions in the cooling system due to transport handling.
- Clean the appliance thoroughly, especially the interior (See 'Cleaning and Maintenance' section of this manual)
- Always disconnect the power cord prior to cleaning or repairing it (repairs should only be undertaken by qualified service technicians. Contact us toll-free at 1800-287-4871 to find the service center nearest you)

## Energy Saving Tips

- Try not to open the door too often, especially when the weather is wet and hot. Once you open the door, mind to close it as soon as possible
- Every so often, check if the appliance is sufficiently ventilated (adequate air circulation behind the appliance)
- Before loading the refrigerator with certain foods, make sure that they are at room temperature or colder
- Ice and frost layer increases energy consumption. Therefore clean the refrigerator as soon as the layer is at least 1/8" thick
- If the refrigerator is not to be used for a prolonged period of time, unplug the power cord, clean the interior carefully (after the frost or ice layer has completely melted) and leave the door open

## OPERATING INSTRUCTIONS

### Starting your new refrigerator

1. Clean the refrigerator thoroughly. Wipe the outside with a soft dry cloth, the interior with a clean moist cloth
2. Insert the power supply cord into the wall socket
3. Turn the thermostat to 'MAX' for 15-20 minutes

### Temperature Control

To control the internal temperature, adjust the thermostat dial. The dial has the following settings: OFF, MIN, MED and MAX.

<u>Setting</u>	<u>Temperature range</u>
MIN	6 – 9°C
MED	3 - 5°C
MAX	1 – 2°C

Note however that the thermostat dial can be set to any place on the scale, it does not have to be set exactly on one of the settings.

To make ice cubes in the freezer, adjust the thermostat to the coldest setting.

NOTE: Wait 3-5 minutes before restarting if you unplug the refrigerator. The unit may fail to operate properly if restarted too quickly.

## How to Defrost

- Water contained in food, or air that was let inside the refrigerator by opening the door repeatedly may cause a layer of frost to form inside. If the frost gets to thick, it might weaken the structure of the refrigerator. If the frost layer becomes thicker than 1/5", defrost the refrigerator (See next paragraph for more details on defrosting your refrigerator)
- Defrosting the refrigerator is done manually. Before starting the defrosting process, take all the food and the ice tray out of the refrigerator. Next, turn the temperature control knob to the "OFF" position (the compressor will stop working) and leave the door open until the ice and/or frost melt. Wipe the melted ice and/or frost from the bottom of the freezer compartment with a soft cloth. In case you want to speed up the melting process, place a bowl of warm water (about 50 degrees celsius) in the freezer compartment. Once you have cleaned the freezer compartment (no water is left), make sure to turn the temperature control knob back to its original position
- It's inadvisable to heat the freezer chamber directly with hot water or hair dryer while defrosting to prevent deformation of the inner case
- It's inadvisable to scrape off the ice and/or frost buildup with sharp objects. Using sharp objects might damage the inner casing of the refrigerator or the evaporator surface
- In case of power failure, minimize opening the door. If the power failure is of a long duration, protect the food by placing blocks of dry ice on top of the packages. Frozen foods which have thawed completely should not be refrozen

## Reversing the Door Swing of Your Refrigerator

This Refrigerator gives you the option of changing the door swing direction. The unit is delivered to you with the door opening from the left side. Should you desire to reverse the opening direction, please follow these steps:

Note: Skip step 1 if you have not yet installed the handle

1. Remove the hinge cover located on the top of the refrigerator
2. Unscrew hinge on the top of the fridge and the bottom of the fridge and then remove door
3. Remove the plastic cover located in the position where the hinge will be moved too and remove the white screw hole covers from the top of the cabinet frame
4. Pick-up the door and hold it against the frame as if it was attached
5. While the door is held against the frame, insert the hinge into the left side of the door frame and cabinet and tighten all the screws
6. Also tighten all screws at the bottom of refrigerator cabinet
7. Put the hinge cover on top of the hinge and make sure it is securely attached
8. Take the plastic cover and the screw hole cover you removed in step 3 and insert them into the holes left by the removed hinge on the top right side of the cabinet

## Cleaning & Maintenance

- The refrigerator should be cleaned and maintained regularly
- When performing maintenance, make absolutely sure that the power plug is first disconnected from the power outlet
- Wipe the outer surface of the refrigerator a dry cloth. Wipe the inner surface of the refrigerator and its accessories with a wet cloth. If they are too dirty, scrub them with neutral detergent, and then clean them with water and dry them with a clean cloth.
- Do not use hot water, scouring pads, powdered cleaners, bleach, cleaners containing bleach, abrasive cleaners, and concentrated detergents to clean the exterior of the refrigerator. Do not use abrasive cleaners, concentrated detergents, bleach, cleaning waxes, solvents or polish cleaners to

clean the interior of the refrigerator. The refrigerator should never be directly sprayed with water. This may cause corrosion and weaken the insulation

- The rubber seal on the door should always remain clean. Failing to keep it clean might result in cold air leaking from the refrigerator and leading to increased energy consumption
- Plastic parts inside the refrigerator which are contaminated with oils (animal or vegetable) for an extended period of time will deteriorate and become frail over time. Therefore it's important to clean the inside and outside regularly. The drain pan gets dirty quite easily and if it's not cleaned regularly, bad odors might start to develop.

## Troubleshooting

Before calling service, please follow the checklist below. This may save you an expensive service call

1. When the refrigerator does not work
  - Check if there is a power failure
  - Check if the power plug is plugged into the power outlet.
  - Check that the fuse has not blown
2. When the refrigerator is cooling excessively
  - The temperature control dial may be set too high
  - If you place food containing a lot of moisture directly under the cool air outlets, they will freeze easily. This does not indicate a malfunction
3. When the refrigerator is not cooling sufficiently
  - The food may be packed too tightly together which will block the flow of cool air
  - You may have put something hot into the refrigerator
  - The door may not have been closed properly
  - The door gaskets may be damaged
  - The refrigerator may not be ventilated (there may be insufficient clearance between the refrigerator and the surrounding area)
  - The temperature control dial may not be set properly
4. When defrosted water overflows inside the refrigerator and onto the floor
  - Check that the drain pan is housed properly
5. When condensation forms on the outside of the refrigerator
  - Condensation may form on the outside when the humidity is high such as during a wet season. This is the same result as the condensation formed when chilled water is poured into a glass. It does not, therefore, indicate a malfunction. Wipe off the condensation with a dry cloth
6. When you hear a sound that sounds like water flowing
  - A water flowing sound is the refrigerant flowing. It does not indicate a malfunction
7. When the cabinet's side panel heats up
  - The side panel of the cabinet will heat up when the door is opened or closed frequently, when starting the unit and when the unit operates in summer with high ambient outside temperature, In such case, do not touch the panel, it results from the dissipation of the heat from inside the cabinet, and it does not mean that something is wrong with the refrigerator

## MAGNASONIC WARRANTY

Consumer Electronics, Home Appliances and Home Office Products

### Thank you for choosing MAGNASONIC!

RGC Redmond Group gives the following express warranty to the original consumer purchaser or gift recipient for this MAGNASONIC product, when shipped in its original container and sold or distributed in Canada by RGC Redmond Group or by an Authorized MAGNASONIC Dealer:

RGC Redmond Group warrants that this product is free, under normal use and maintenance, from any defects in material and workmanship. If any such defects should be found in this product within the applicable warranty period, RGC Redmond Group shall, at its option, repair or replace the product as specified herein. Replacement parts furnished in connection with this warranty shall be warranted for a period equal to the unexpired portion of the original equipment warranty.

This warranty shall not apply to:

- a. Any defects caused or repairs required as a result of abusive operation, negligence, accident, improper installation or inappropriate use as outlined in the owner's manual.
- b. Any MAGNASONIC product tampered with, modified, adjusted or repaired by any party other than RGC Redmond Group or MAGNASONIC's Authorized Service Centres.
- c. Damage caused or repairs required as a result of the use with items not specified or approved by RGC Redmond Group, including but not limited to head cleaning tapes and chemical cleaning agents.
- d. Any replacement of accessories, glassware, consumable or peripheral items required through normal use of the product including but not limited to earphones, remote controls, AC adapters, batteries, temperature probe, stylus, trays, filters, cables, paper, cabinet, cabinet parts, knobs, buttons, baskets, stands, shelves, cookware and cooking utensils.
- e. Any cosmetic damage to the surface or exterior that has been defaced or caused by normal wear and tear.
- f. Any damage caused by external or environmental conditions, including but not limited to transmission line/power line voltage or liquid spillage.
- g. Any product received without appropriate model, serial number and CSA /cUL /cULus /cETL /cETLus markings.
- h. Any products used for rental or commercial purposes.
- i. Any installation, setup and/or programming charges.

Should this MAGNASONIC product fail to operate during the warranty period, warranty service may be obtained upon delivery of the MAGNASONIC product together with proof of purchase and a copy of this LIMITED WARRANTY statement to an Authorized MAGNASONIC Service Centre. In-home warranty service may be provided at RGC Redmond Group's discretion on any MAGNASONIC television with the screen size of 27" or larger. This warranty constitutes the entire express warranty granted by RGC Redmond Group and no other dealer, service centre or their agent or employee is authorized to extend, enlarge or transfer this warranty on behalf of RGC Redmond Group. To the extent the law permits, RGC Redmond Group disclaims any and all liability for direct or indirect damages or losses or for any incidental, special or consequential damages or loss of profits resulting from a defect in material or workmanship relating to the product, including damages for the loss of time or use of this MAGNASONIC product or the loss of information. The purchaser will be responsible for any removal, reinstallation, transportation and insurance costs incurred. Correction of defects, in the manner and period of time described herein, constitute complete fulfillment of all obligations and responsibilities of RGC Redmond Group to the purchaser with respect to the product and shall constitute full satisfaction of all claims, whether based on contract, negligence, strict liability or otherwise.

### CARRY-IN PARTS & LABOUR WARRANTY PERIODS:

- Audio Products: 1 Year (Remote Control, if applicable – 90 Days)
- DVD Products: 1 Year (Remote Control – 90 Days)
- LCD & Plasma Display TV: 1 Year (Remote Control – 90 Days)
- Television Products: 1 Year (Remote Control – 90 Days)
- VCR Products: 1 Year (Remote Control – 90 Days, Video Heads – 6 Months)
- Home Appliances: 1 Year
  - Microwave Magnetron parts only additional 3 Years
  - Refrigerator / Freezer Compressor parts only, additional 4 years
- Heating / Cooling & Humidification Products: 1 Year (Remote Control – 90 Days)
  - Compressor parts only (if applicable), additional 4 years
- Home Office: 1 Year

To obtain the name and address of the nearest Authorized MAGNASONIC Service Centre or Dealer, please contact: RGC Redmond Group, 6185 McLaughlin Road, Mississauga, ON L5R 3W7.

For more information on this Warranty or Service Locations, please call (905)366-5100 or toll free 1-800-663-5954, Monday to Friday 9:00am – 5:00pm Eastern Standard Time.

## Free Manuals Download Website

<http://myh66.com>

<http://usermanuals.us>

<http://www.somanuals.com>

<http://www.4manuals.cc>

<http://www.manual-lib.com>

<http://www.404manual.com>

<http://www.luxmanual.com>

<http://aubethermostatmanual.com>

Golf course search by state

<http://golfingnear.com>

Email search by domain

<http://emailbydomain.com>

Auto manuals search

<http://auto.somanuals.com>

TV manuals search

<http://tv.somanuals.com>