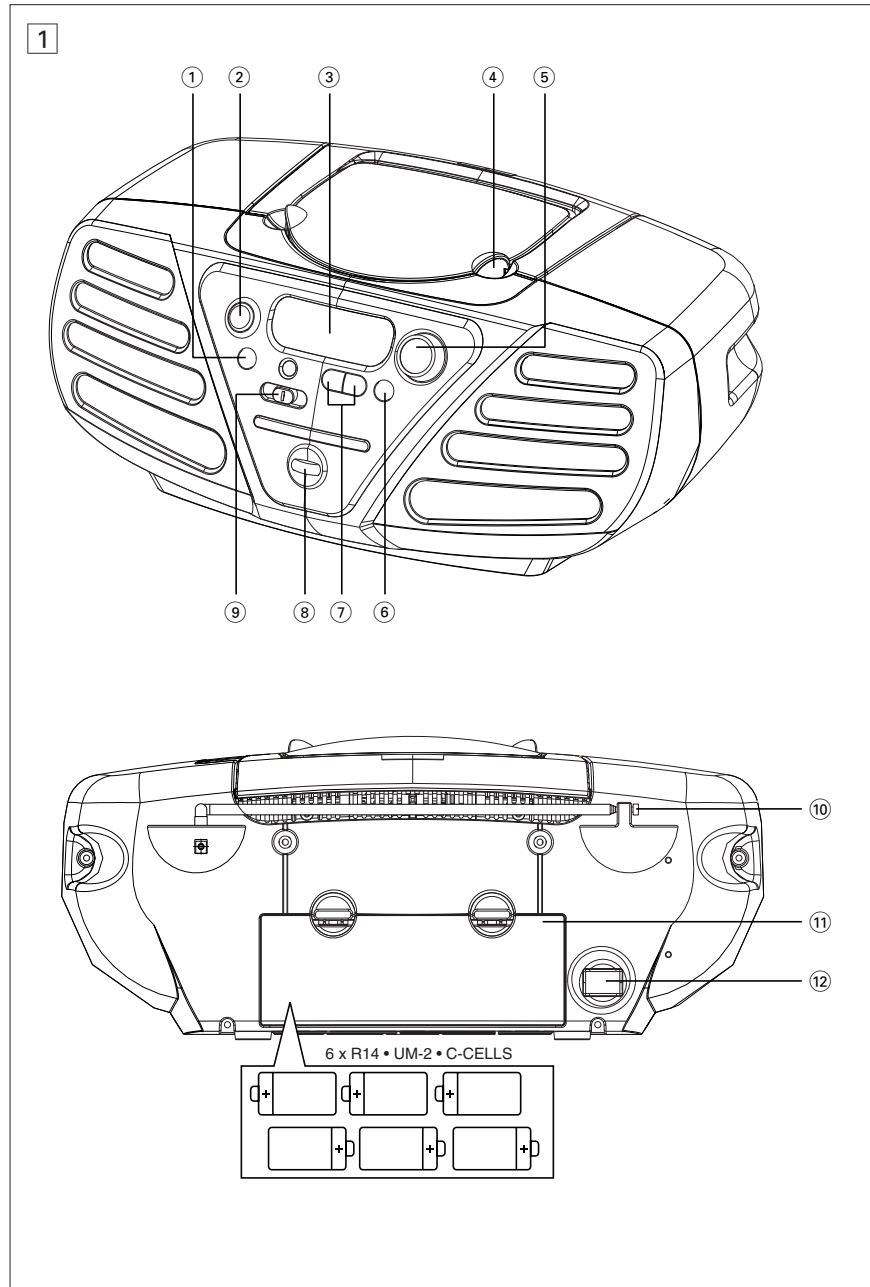


**MCS210SL**  
**MCS211BK CD BOOM BOX**



**Read this manual first!**  
If you have any problems, do not attempt  
to return this product to the store.  
**For fast help, call us first!**  
**1-800-705-2000**

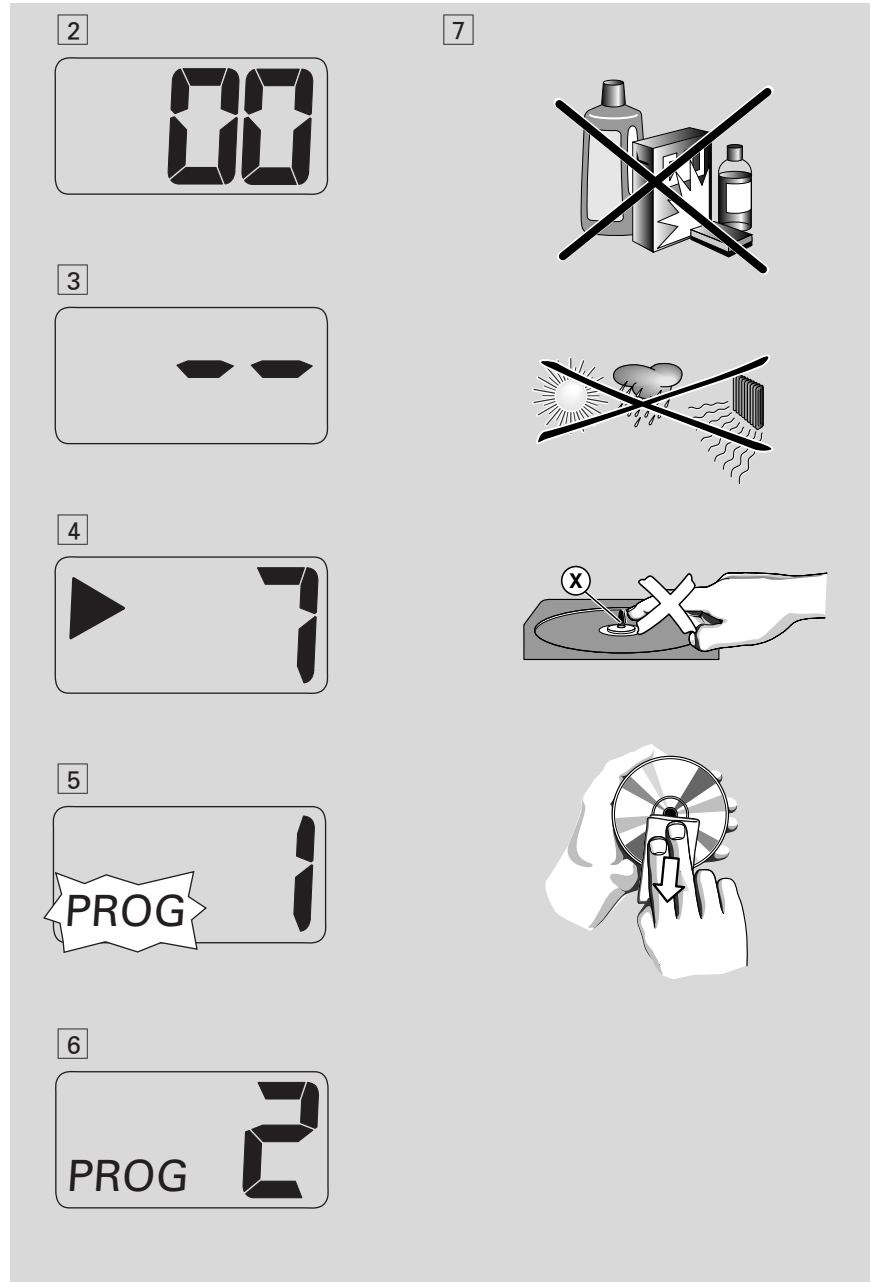


English

Español

Meet Magnavox at the Internet  
<http://www.magnavox.com>

MCS 210SL/211BK



## English Controls Power Supply

### Top and front panels (see <sup>ⓘ</sup>)

- STOP** ■ – stops CD playback; erases a CD program
- PLAY/PAUSE** ▶II – starts or pauses CD playback
- CD display** – shows the CD functions
- LIFT TO OPEN** – opens the CD door
- VOLUME** – adjusts volume level

- PROGRAM** – programs and reviews programmed track numbers

- SEARCH** ◀◀, ▶▶ – CD: skips or searches a passage/track backward or forward.

- TUNING** – tunes to a station

- Source selector OFF/FM/AM/CD** – select CD, FM or AM source of sound – power off switch

### Back panel

- Telescopic antenna** – to improve FM reception

- Battery door** – open to insert 6 x 1.5V R14/ UM2/ C-cell batteries

- AC MAINS** – inlet for power cord

- 

## CD player

### Finding a passage within a track

- During playback, press and hold down ◀◀/▶▶.

- The CD is played at high speed and low volume.

- When you recognize the passage you want release ◀◀/▶▶.

- Normal playback resumes.

*Note:When searching within a final track and you reach the end of the last track, the CD goes to stop mode.*

### Programming track numbers

You may store up to 20 tracks in the desired sequence. If you like, store any track more than once.

- In the **STOP** position, press **PROGRAM** to activate programming.

→ Display: shows ⏻ *t* indicating the start of the program. **PROG** and ⏻ *t* flash.

- Press ◀◀ or ▶▶ to select your desired track number.

- Press **PROGRAM** to store the desired track number.

→ Display shows ⏻2 and flashes (up to **20** in sequence) indicating the next available program location.

#### Power supply

Whenever convenient, use the power supply if you want to conserve battery life. Make sure you remove the plug from the set and wall outlet before inserting batteries.

#### Batteries (not included)

- Open the battery compartment and insert six batteries, type **R-14**, **UM2** or **C-cells**, (preferably alkaline) with the correct polarity as indicated by the "+" and "-" symbols inside the compartment.
- Replace the compartment door, making sure the batteries are firmly and correctly in place.The set is now ready to operate.

Incorrect use of batteries can cause electrolyte leakage and will corrode the compartment or cause the batteries to burst. Therefore:

- Do not mix battery types: e.g. alkaline with carbon zinc. Only use batteries of the same type for the set.

- When inserting new batteries, do not try to mix old batteries with the new ones.

- Remove the batteries if the set is not to be used for a long time.

## Power Supply

#### Using AC Power

- Check if the power voltage, as shown on the type plate located on the bottom of the set, corresponds to your local power supply. If it does not, consult your dealer or service center.

- Connect the power cord to the AC MAINS inlet and the wall outlet.The power supply is now connected and ready for use.

- To switch off completely, unplug the power cord from the wall outlet.

- Unplug the power cord from the wall outlet to protect your set during heavy thunderstorms.

***The type plate is located on the bottom of the set.***

### Switching Power on/off: Save energy

Whether you are using mains or battery supply, to avoid unnecessary energy consumption, always adjust the **source selector** to **OFF** after using the set.

- 

- 

- 

- 

## Maintenance

### Maintenance (see <sup>ⓘ</sup>)

#### CD player and CD handling

- The lens of the CD player should never be touched!
- Sudden changes in the surrounding temperature can cause condensation to form and the lens of your CD player to cloud over. Playing a CD is then not possible. Do not attempt to clean the lens but leave the set in a warm environment until the moisture evaporates.

## General Operation

#### General operation

- To select your sound source, adjust the **source selector** to **CD**, **FM** or **AM**.

- Adjust the sound with the **VOLUME** control.

- To switch off the set, adjust the **source selector** to **OFF** position.

### Tuner reception

- Adjust the **source selector** to **FM** or **AM**.

- Turn **TUNING** to tune to a station.

- For **FM**, pull out the telescopic antenna. Incline and turn the antenna. Reduce its length if the signal is too strong (very close to a transmitter).

- For **AM**, the set is provided with a built-in antenna so the telescopic antenna is not needed. Direct the antenna by turning the whole set.

- To switch off the radio, adjust the **source selector** to **OFF** position.

## CD player

#### CD player

#### Display indication for CD functions:

– ⏻⏻: Cd door open

– - -: reading disc contents / no disc/ error in CD operation or with the CD/ CD-R/W is blank or not finalized (see Troubleshooting)

– **In stop mode:** total track number

– **During CD playback:**■ and current track number

– ▶: playback on pause

– **PROG:** when CD program active

### Playing a CD

This CD player plays Audio Discs including CD-Recordables and Rewritable.

- MP3 CD-ROMs, CD-I, CDV,VCD, DVD or computers CDs are not possible for playback.

- Adjust the **source selector** to **CD**.
- Open the CD door, and insert a CD/ CD-R/W with the printed side facing up and press the CD door gently close.

- Press **PLAY/ PAUSE** ▶II on the set to start playback.

- To pause playback, press **PLAY/ PAUSE** ▶II

→ ▶ flashes.

- To resume, press **PLAY/ PAUSE** ▶II again.

- To stop CD play, press **STOP** ■.

- To switch off the set, adjust the **source selector** to **OFF** position and check if the cassette keys are released.

*Note: CD play will also stop when: – you open the CD compartment; – you select FM or AM sound source; – the CD has reached to the end.*

### Selecting a different track

During playback you can use ◀◀/▶▶ to select a particular track.

– If you have selected a track number in the stop or pause position, press **PLAY/ PAUSE** ▶II to start playback.

- Press ▶▶ once briefly for the next track, or press repeatedly until the desired track number appears in the display.

- Press ◀◀ once briefly to return to the beginning of a current track.

- Press ◀◀ more than once briefly for a previous track.

## Troubleshooting

***If a fault occurs, first check the points listed below before taking the set for repair.***

***If you are unable to remedy a problem by following these hints, consult your dealer or service centre.***

**WARNING: Under no circumstances should you try to repair the set yourself, as this would invalidate the warranty.**

Problem	Solution
<b>No sound/power</b>	– Volume not adjusted. Adjust the VOLUME. <p>– Power cord not securely connected. Connect AC power cord properly.</p> <p>– Batteries dead /incorrectly inserted. Insert (fresh) batteries correctly.</p>
<b>Display does not function properly/ No reaction to operation of any of the controls</b>	– Electrostatic discharge. Switch off and unplug the set. Reconnect after a few seconds.
<b>Display and CD playback does not work</b>	– No CD inserted. Insert a CD. <p>– CD badly scratched/ dirty. Replace/ clean CD (see <b>Maintenance</b>).</p> <p>– Laser lens steamed up. Wait until lens has acclimatized.</p> <p>– CD-R/W is blank or not finalized. Use a finalized CD-R/W or suitable audio disc only.</p>
<b>The CD skips tracks</b>	– Disc damaged or dirty. Replace or clean disc. <p>– Program is active. Quit program mode.</p>

<p><b>Environmental information</b></p> <p>All unnecessary packaging material has been omitted.The packaging can be easily separated into three materials: cardboard, polystyrene and plastic.</p> <p><b>Your set consists of materials which can be recycled if disassembled by a specialized company. Please observe the local regulations regarding the disposal of packaging, dead batteries and old equipment.</b></p>
<p>Download from <a href="http://www.Somanuals.com">Www.Somanuals.com</a>: All Manuals Search And Download.</p>

## Return your Warranty Registration card today to ensure you receive all the benefits you're entitled to.

• Once your Magnavox purchase is registered, you're eligible to receive all the privileges of owning a Magnavox product.

• So complete and return the Warranty Registration Card enclosed with your purchase at once. And take advantage of these important benefits.

### Warranty Verification

Registering your product within 10 days confirms your right to maximum protection under the terms and conditions of your Magnavox warranty.

### Owner Confirmation


Your completed Warranty Registration Card serves as verification of ownership in the event of product theft or loss.


### Model Registration

Returning your Warranty Registration Card right away guarantees you'll receive all the information and special offers which you qualify for as the owner of your model.

## Know these safety symbols



 This "bolt of lightning" indicates uninsulated material within your unit which may cause an electrical shock. For the safety of everyone in your household, please do not remove product covering.

 The "exclamation point" calls attention to features for which you should read the enclosed literature closely to prevent operating and maintenance problems.

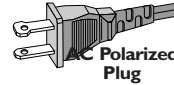
#### For Customer Use

Enter below the Serial No. which is located on the bottom of the cabinet. Retain this information for future reference.


Model No. \_\_\_\_\_  
Serial No. \_\_\_\_\_

**WARNING:** TO PREVENT FIRE OR SHOCK HAZARD, DO NOT EXPOSE THIS EQUIPMENT TO RAIN OR MOISTURE.

**CAUTION:** To prevent electric shock, match wide blade of plug to wide slot, and fully insert.



1. Read these instructions.
2. Keep these instructions.
3. Heed all warnings.
4. Follow all instructions.
5. Do not use this apparatus near water.
6. Clean only with a dry cloth.
7. Do not block any of the ventilation openings. Install in accordance with the manufacturers instructions.
8. Do not install near any heat sources such as radiators, heat registers, stoves, or other apparatus (including amplifiers) that produce heat.
9. Do not defeat the safety purpose of the polarized or grounding-type plug. A polarized plug has two blades with one wider than the other. A grounding type plug has two blades and a third grounding prong. The wide blade or the third prong are provided for your safety. If the provided plug does not fit into your outlet, consult an electrician for replacement of the obsolete outlet.
10. Protect the power cord from being walked on or pinched, particularly at plugs, convenience receptacles, and the point where they exit from the apparatus.
11. Only use attachments/accessories specified by the manufacturer:

12.  Use only with a cart, stand, tripod, bracket, or table specified by the manufacturer or sold with the apparatus. When a cart is used, use caution when moving the cart/apparatus combination to avoid injury from tip-over.

13. Unplug this apparatus during lightning storms or when unused for long periods of time.

14. Refer all servicing to qualified service personnel. Servicing is required when the apparatus has been damaged in any way, such as if the power-supply cord or plug is damaged, liquid has been spilled or objects have fallen into the apparatus, or when the apparatus has been exposed to rain or moisture, does not operate normally, or has been dropped.

15. Battery usage **CAUTION** – To prevent battery leakage which may result in bodily injury or damage to the unit:

- Install all batteries correctly, + and - as marked on the unit.
- Do not mix batteries (old and new or carbon and alkaline, etc.).
- Remove batteries when the unit is not used for a long time.

EL 6475-E003: 01/6

#### Class II equipment symbol



This symbol indicates that the unit has a double insulation system.

## Notes

#### CAUTION

Use of controls or adjustments or performance of procedures other than herein may result in hazardous radiation exposure or other unsafe operation.

The set complies with the FCC-Rules, Part 15 and with 21 CFR 1040.10. Operation is subject to the following two conditions:

1. This device may not cause harmful interference, and
2. This device must accept any interference received, including interference that may cause undesired operation.

#### Canada

**English:** This digital apparatus does not exceed the Class B limits for radio noise emissions from digital apparatus as set out in the Radio Interference Regulations of the Canadian Department of Communications.

**Français:** Cet appareil numérique n'émet pas de bruits radioélectriques dépassant les limites applicables aux appareils numériques de Classe B prescrites dans le Règlement sur le Brouillage Radioélectrique édicté par le Ministère des Communications du Canada.

## LIMITED WARRANTY

### PORTABLE AUDIO

90 Days Free Exchange

This product must be carried in for an exchange.

#### WHO IS COVERED?

You must have proof of purchase to exchange the product. A sales receipt or other document showing that you purchased the product is considered proof of purchase. Attach it to this owner's manual and keep both nearby.

#### WHAT IS COVERED?

Warranty coverage begins the day you buy your product. For 90 days thereafter, a defective or inoperative product will be replaced with a new, renewed or comparable product at no charge to you. A replacement product is covered only for the original warranty period. When the warranty on the original product expires, the warranty on the replacement product also expires.

#### WHAT IS EXCLUDED?

Your warranty does not cover:

- labor charges for installation or setup of the product, adjustment of customer controls on the product, and installation or repair of antenna systems outside of the product.
- product repair and/or part replacement because of misuse, accident, unauthorized repair or other cause not within the control of Magnavox.
- reception problems caused by signal conditions or cable or antenna systems outside the unit.
- a product that requires modification or adaptation to enable it to operate in any country other than the country for which it was designed, manufactured, approved and/or authorized, or repair of products damaged by these modifications.
- incidental or consequential damages resulting from the product. (Some states do not allow the exclusion of incidental or consequential damages, so the above exclusion may not apply to you. This includes, but is not limited to, prerecorded material, whether copyrighted or not copyrighted.)
- a product used for commercial or institutional purposes.

#### WHERE IS EXCHANGE AVAILABLE?

You may exchange the product in all countries where the product is officially distributed by Magnavox. In countries where Magnavox does not distribute the product, the local Magnavox service organization will attempt to provide a replacement product (although there may be a delay if the appropriate product is not readily available).

#### BEFORE REQUESTING EXCHANGE...

Please check your owner's manual before requesting an exchange. Adjustments of the controls discussed there may save you a trip.

#### EXCHANGING A PRODUCT IN U.S.A., PUERTO RICO, OR U.S. VIRGIN ISLANDS...

Contact 1-800-705-2000 to arrange an exchange. Or, ship the product, insured and freight prepaid, and with proof of purchase enclosed, to the address listed below.

Magnavox Exchange Program  
Suite A  
406 North Irish Street  
Greeneville TN 37745

(In U.S.A., Puerto Rico, and U.S. Virgin Islands, all implied warranties, including implied warranties of merchantability and fitness for a particular purpose, are limited in duration to the duration of this express warranty. But, because some states do not allow limitations on how long an implied warranty may last, this limitation may not apply to you.)

#### EXCHANGING A PRODUCT IN CANADA...

Please contact Magnavox at:

1-800-661-6162 (French Speaking)  
1-800-705-2000 (English or Spanish Speaking)

(In Canada, this warranty is given in lieu of all other warranties. No other warranties are expressed or implied, including any implied warranties of merchantability or fitness for a particular purpose. Magnavox is not liable under any circumstances for any direct, indirect, special, incidental or consequential damages, howsoever incurred, even if notified of the possibility of such damages.)

#### REMEMBER...

Please record below the model and serial numbers found on the product. Also, please fill out and mail your warranty registration card promptly. It will be easier for us to notify you if necessary.

MODEL # \_\_\_\_\_

SERIAL # \_\_\_\_\_

This warranty gives you specific legal rights. You may have other rights which vary from state/province to state/province.

Magnavox, P.O. Box 520890, Miami, FL 33152, USA, (402) 536-4171

EL6516T001 / 5-02

Download from Wwww.Somanuals.com. All Manuals Search And Download.

## Free Manuals Download Website

<http://myh66.com>

<http://usermanuals.us>

<http://www.somanuals.com>

<http://www.4manuals.cc>

<http://www.manual-lib.com>

<http://www.404manual.com>

<http://www.luxmanual.com>

<http://aubethermostatmanual.com>

Golf course search by state

<http://golfingnear.com>

Email search by domain

<http://emailbydomain.com>

Auto manuals search

<http://auto.somanuals.com>

TV manuals search

<http://tv.somanuals.com>