

User guide

MAGNAVOX SMART. VERY SMART.

MPC250

PORTABLE CD PLAYER

Read this manual first! If you have any problems, do not attempt to return this product to the store. For fast help, call us first! 1-800-705-2000

IMPORTANT! Return your Warranty Registration Card within 30 days. See www.magnavox.com



PHILIPS CONSUMER ELECTRONICS NORTH AMERICA Knoxville, Tennessee 37914-1810, U.S.A.

English

Español

Meet Magnavox at the Internet http://www.magnavox.com



Printed in China PDCC/YM-0348-17-1

Return your Warranty Registration card today to ensure you receive all the benefits you're entitled to.

- Once your Magnavox purchase is registered, you're eligible to receive all the privileges of owning a Magnavox product. So complete and return the Warranty Registration Card enclosed with your purchase at once, and take advantage of these important benefits.

- Warranty Verification: Registering your product within 10 days confirms your right to maximum protection under the terms and conditions of your Magnavox warranty. Owner Confirmation: Your completed Warranty Registration Card serves as verification of ownership in the event of product theft or loss. Model Registration: Returning your Warranty Registration Card right away guarantees you'll receive all the information and special offers which you qualify for as the owner of your model.

Know these safety symbols. CAUTION: RISK OF ELECTRIC SHOCK. DO NOT OPEN. BATTERY CASE: DO NOT REMOVE BATTERIES. REVERSE POLARITY. THIS "bolt of lightning" indicates uninsulated material within your unit may cause an electrical shock. For the safety of everyone in your household, please do not remove product covering. The "exclamation point" calls attention to features for which you should read the enclosed literature closely to prevent operating and maintenance problems.

For Customer Use: Enter below the Serial No. which is located on the rear of the cabinet. Retain this information for future reference. Model No. Serial No.

WARNING: TO PREVENT FIRE OR SHOCK HAZARD, DO NOT EXPOSE THIS EQUIPMENT TO RAIN OR MOISTURE.

CAUTION: To prevent electric shock, match wide blade of plug to wide slot, and fully insert.

IMPORTANT SAFETY INSTRUCTIONS

- 1. Read these instructions. 2. Keep these instructions. 3. Heed all warnings. 4. Follow all instructions. 5. Do not use this apparatus near water. 6. Clean only with dry cloth. 7. Do not block any ventilation openings. Install in accordance with the manufacturer's instructions. 8. Do not install near any heat sources such as radiators, heat registers, stoves, or other apparatus (including amplifiers) that produce heat. 9. Only use attachments/accessories specified by the manufacturer. 10. Use only with the cart, stand, tripod, bracket, or table specified by the manufacturer or sold with the apparatus. When a unit is used, use caution when moving the cart/apparatus combination to avoid injury from tip-over. 11. Refer all servicing to qualified service personnel. Servicing is required when the apparatus has been damaged in any way, such as power-supply cord or plug is damaged, liquid has been spilled or objects have fallen into the apparatus, the apparatus has been exposed to rain or moisture, does not operate normally, or has been dropped. 12. Battery usage CAUTION - To prevent battery leakage which may result in bodily injury, property damage, or damage to the unit: - Install all batteries correctly, + and - as marked on the unit. - Do not mix batteries (old and new or carbon and alkaline, etc.). - Remove batteries when the unit is not used for a long time.

EL 6474-E004: 02/8

WARNING

To reduce the risk of fire or electric shock, this apparatus should not be exposed to rain or moisture, and objects filled with liquids, such as vases, should not be placed on this apparatus.

LIMITED WARRANTY

PORTABLE COMPACT DISC 90 Days Free Exchange This product must be carried in for an exchange.

WHO IS COVERED?

You must have proof of purchase to exchange the product. A sales receipt or other document showing that you purchased the product is considered proof of purchase. Attach it to this owner's manual and keep both nearby.

WHAT IS COVERED?

Warranty coverage begins the day you buy your product. For 90 days thereafter, a defective or inoperative product will be replaced with a new, renewed or comparable product at no charge to you. A replacement product is covered only for the original warranty period. When the warranty on the original product expires, the warranty on the replacement product also expires.

WHAT IS EXCLUDED?

- Your warranty does not cover: - labor charges for installation or setup of the product, adjustment of customer controls on the product, and installation or repair of antenna systems outside of the product; - product repair and/or part replacement because of misuse, accident, unauthorized repair or other cause not within the control of Magnavox; - reception problems caused by signal conditions or cable or antenna systems outside the unit; - a product that requires modification or adaptation to enable it to operate in any country other than the country for which it was designed, manufactured, approved and/or authorized, or repair of products damaged by these modifications; - incidental or consequential damages resulting from the product. (Some states do not allow the exclusion of incidental or consequential damages, so the above exclusion may not apply to you. This includes, but is not limited to, pre-recorded material, whether copyrighted or not copyrighted.) - a product used for commercial or institutional purposes.

WHERE IS EXCHANGE AVAILABLE?

You may exchange the product in all countries where the product is officially distributed by Magnavox. In countries where Magnavox does not distribute the product, the local Magnavox service organization will attempt to provide a replacement product (although there may be a delay if the appropriate product is not readily available).

Magnavox, P.O. Box 520890, Miami, FL 33152, USA, (402) 536-4171

BEFORE REQUESTING EXCHANGE...

Please check your owner's manual for assistance. If you have additional questions, call us at 1-800-705-2000.

EXCHANGING A PRODUCT IN U.S.A., PUERTO RICO, OR U.S. VIRGIN ISLANDS...

Contact 1-800-705-2000 to arrange an exchange. On ship the product, insured and freight prepaid, and with proof of purchase enclosed, to the address listed below.

Magnavox Exchange Program Suite A 406 North Irish Street Greenville TN 37745

(In U.S.A., Puerto Rico, and U.S. Virgin Islands, all implied warranties, including implied warranties of merchantability and fitness for a particular purpose, are limited in duration to the duration of this express warranty. But, because some states do not allow limitations on how long an implied warranty may last, this limitation may not apply to you.)

EXCHANGING A PRODUCT IN CANADA...

Please contact Magnavox at:

1-800-661-6163 (French Speaking) 1-800-705-2000 (English or Spanish Speaking)

(In Canada, this warranty is given in lieu of all other warranties. No other warranties are expressed or implied, including any implied warranties of merchantability or fitness for a particular purpose. Magnavox is not liable under any circumstances for any direct, indirect, special, incidental or consequential damages, howsoever incurred, even if notified of the possibility of such damages.)

REMEMBER...

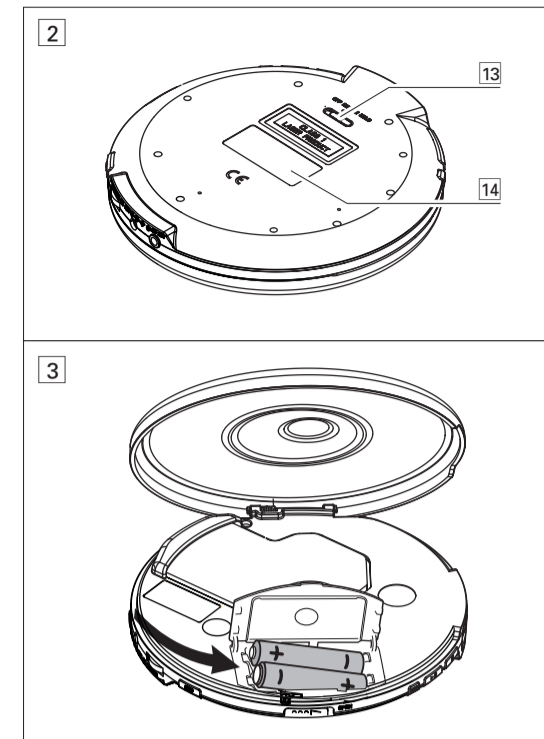
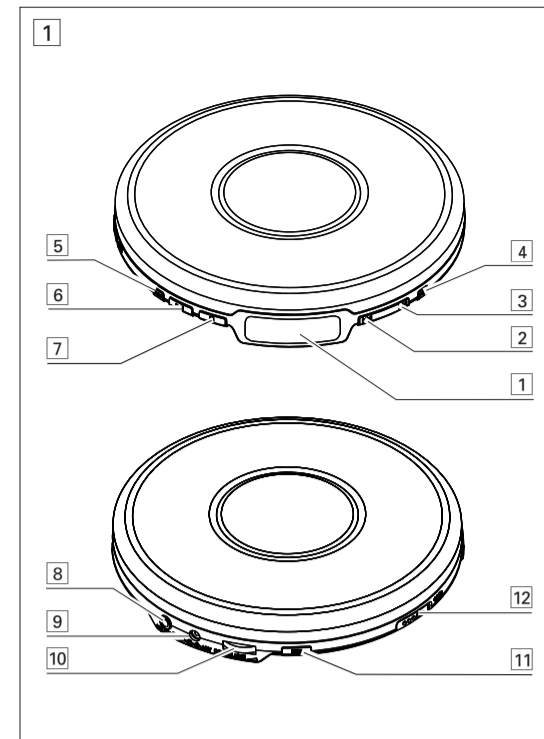
Please record below the model and serial numbers found on the product. Also, please fill out and mail your warranty registration card promptly. It will be easier for us to notify you if necessary.

MODEL #

SERIAL #

This warranty gives you specific legal rights. You may have other rights which vary from state/province to state/province.

EL6517002 / 8-02



English CONTROLS / POWER SUPPLY POWER SUPPLY / GENERAL INFORMATION GENERAL INFORMATION / CD PLAY CD PLAY / FEATURES FEATURES FEATURES / TROUBLESHOOTING

CONTROLS (see figure 1 / 2)

- 1 .....display 2 .....skips and searches CD tracks backwards 3 .....skips and searches CD tracks forwards 4 PROG .....programs tracks and reviews the program 5 MODE .....selects the different playing possibilities: SHUFFLE, SHUFFLE REPEAT ALL, REPEAT, REPEAT ALL and SCAN 6 .....switches the player on, starts or pauses CD play 7 .....stops CD play, clears a program or switches the player off 8 LINE OUT/.....3.5 mm headphone jack and LINE OUT jack to connect the player to another audio input of an additional appliance. 9 4.5V DC .....jack for external power supply 10 VOL .....adjusts the volume 11 DBB .....switches the bass enhancement on and off. This button also switches acoustic feedback (the beep) on/off when it is pressed for more than 2 seconds 12 .....OPEN .....opens the CD lid 13 OFF .....switches RESUME and HOLD off RESUME .....stores the last position of a CD track played HOLD .....locks all buttons 14 .....type plate

CAUTION Use of controls or adjustments or performance of procedures other than herein may result in hazardous radiation exposure.

Batteries (supplied or optionally available)

You can use the following batteries with this CD-player: - normal batteries type LR6, UM3 or AA (preferably Philips), or - alkaline batteries type LR6, UM3 or AA (preferably Philips). Notes: - Old and new or different types of batteries should not be combined. - Remove batteries if they are empty or if the player is not going to be used for a long time.

Inserting batteries (see figure 3)

- 1 Push OPEN to open the CD lid. 2 Open the battery compartment and insert either 2 normal or alkaline batteries.

Battery indication

The approximate power level of your batteries is shown in the display. Battery full Battery two-thirds full Battery one-third full Battery dead or empty. When the batteries are dead or empty, the symbol flashes, and is displayed, and the beep tone sounds repeatedly.

Batteries contain chemical substances, so they should be disposed of properly.

Both the model number and production number are located on the bottom of the set.

Mains adapter (supplied or optionally available)

Use only a 4.5 V adapter (300 mA direct current, positive pole to the center pin). Any other kind of adapter may damage the player.

- 1 Make sure the local voltage corresponds to the power adapter's voltage. 2 Connect the power adapter to the 4.5V DC jack of the player and to the wall outlet. Note: Always disconnect the adapter when you are not using it.

Environmental information

- All redundant packing material has been omitted. We have done our utmost to make the packaging easily separable into two materials: cardboard (box) and polyethylene (bags, protective foam sheet). Your set consists of materials which can be recycled if disassembled by a specialized company. Please observe the local regulations regarding the disposal of packing materials, dead batteries and old equipment.

The set complies with the FCC-Rules, Part 15 and with 21 CFR 1040.10. Operation is subject to the following two conditions:

- 1. This device may not cause harmful interference, and 2. This device must accept any interference received, including interference that may cause undesired operation.

CD player and CD handling

- Do not touch the lens of the CD player. Do not expose the unit, batteries or CDs to humidity, rain, sand or excessive heat (caused by heating equipment or direct sunlight). You can clean the CD player with a soft, slightly dampened, lint-free cloth. Do not use any cleaning agents as they may have a corrosive effect. To clean the CD, wipe it in a straight line from the center toward the edge using a soft, lint-free cloth. A cleaning agent may damage the disc! Never write on a CD or attach a sticker to it. The lens may cloud over when the unit is moved suddenly from cold to warm surroundings. Playing a CD is not possible then. Leave the CD player in a warm environment until the moisture has evaporated. Active mobile phones in the vicinity of the CD player may cause malfunctions. Avoid dropping the unit as this may cause damage.

Headphones

- Connect the supplied headphones to the LINE OUT/ jack of the player. Note: LINE OUT/ can also be used for connecting the player to your HiFi system (with a signal lead) or to your car radio (with a cassette adapter or signal lead). In both cases, the volume of the player must be set to position 8.

IMPORTANT! Hearing safety: Do not play your headphones at a high volume. Hearing experts advise that continuous use at high volume can permanently damage your hearing. Traffic safety: Do not use headphones while driving a vehicle. It may create a hazard and it is illegal in many countries. Even if your headphones are an open-air type designed to let you hear outside sounds, do not turn up the volume so high that you cannot hear what is going on around you.

In-car use (connections supplied or optionally available)

Only use a 4.5 V DC car voltage converter (positive pole to the center pin) and cassette car adapter. Any other converter may damage the set.

- 1 Put the set on a horizontal, vibration-free and stable surface. Make sure it is in a safe place, where the set is neither a danger nor an obstacle to the driver and the passengers. 2 Plug the voltage converter into the cigarette lighter jack (only for 12 V car battery, negative grounding), then connect the wired end with 4.5V DC input jack on the set. 3 If necessary, clean the cigarette lighter jack to obtain a good electrical contact. 4 Turn down the volume and connect the cassette adapter plug to LINE OUT/ on the set. 5 Carefully insert the cassette adapter into the car radio's cassette compartment. 6 Make sure the cord does not hinder your driving. 7 Decrease the volume on the set, if necessary. Start playback on the set and adjust the sound with the car radio controls.

Always remove the voltage converter from the cigarette lighter jack when the set is not in use.

Note: If your car radio has a LINE IN jack, it is better to use it for the car radio connection instead of the cassette adapter. Connect the signal lead to this LINE IN jack and to LINE OUT/ on the set.

Playing a CD

This CD-player can play all kinds of Audio Discs such as CD-Recordables and CD-Rewritables. Do not try to play a CD-ROM, CDI, DVD, DVD or computer CD.

- 1 Push the OPEN slider to open the player. 2 Insert an audio CD, printed side up, by pressing the CD into the hub. 3 Close the player by pressing the lid down. 4 Press to switch the player on and start playback. The current track number and elapsed playing time are displayed. You can pause playback by pressing again. The time at which playback was paused starts flashing. You can continue playback by pressing again. Press to stop playback. The total number of tracks and the total playing time of the CD are displayed. Press again to switch the player off. To remove the CD, hold it by its edge and press the hub gently while lifting the CD.

Note: If there is no activity, the set will automatically switch off after a while to save energy.

Playback information

- If a CD-Recordable (CD-R) or a CD-Rewritable (CD-RW) is not recorded properly, is displayed, indicating that the CD has not been finalized. In that case, use FINALIZE on your CD recorder to complete the recording. When playing a CD-Rewritable (CD-RW), please note that it takes 3-15 seconds after pressing for sound reproduction to start. Playback will stop and the set will turn off if you open the CD lid. While the CD is read, - flashes in the display.

Volume and bass

- Volume adjustment Adjust the volume by using VOL. Bass adjustment Press DBB to switch the bass enhancement on or off. DBB appears if the bass enhancement is activated.

Selecting a track and searching

- Selecting a track during playback Briefly press or once or several times to skip to the current, previous or next track. Playback continues with the selected track, and the track's number is displayed. Selecting a track when playback is stopped 1 Briefly press or once or several times to select the desired track. The track number is displayed. 2 Press to start CD play. Playback starts with the selected track.

Searching for a passage during playback

- 1 Keep or pressed to find a particular passage in a backward or forward direction. Searching starts while playback continues at low volume. After 2 seconds the search speeds up. 2 Release the button when you reach the desired passage. Playback continues from this position.

Notes: - If the player is in SCAN mode (see MODE chapter), searching is not possible. - In shuffle, shuffle repeat all or repeat mode (see MODE chapter), or while playing a program, searching is only possible within the particular track.

Programming track numbers

You can store up to 30 tracks to play in a program. A single track may be stored more than once in the program.

- 1 While playback is stopped, select a track with or. 2 Press PROG lights up, the track number programmed and P with the total number of stored tracks are displayed. 3 Select and store all desired tracks in this way. 4 Press to start playback of your selected tracks. PROG is shown and playback starts.

- You can review the program by pressing PROG for more than 2 seconds. The display shows all the stored tracks in sequence.

Notes: - If you press PROG and there is no track selected, no P is displayed. - If you try to store more than 30 tracks, FUL is displayed.

Clearing the program

- While playback is stopped, press to clear program. CLR is displayed once, PROG goes off, and the program is cleared.

Note: The program will also be cleared if the power supply is interrupted, or if the CD-player lid is opened, or if the set switches off automatically.

Selecting different playing possibilities-MODE

It is possible to play tracks in random order, to repeat a single track or the entire CD, and to play the first few seconds of each track.

- 1 Press MODE during playback as often as required in order to activate one of the following 'modes'. The active mode is shown in the display. SHUFFLE: All tracks of the CD are played in random order until all of them have been played once. SHUFFLE REPEAT ALL: All tracks of the CD are played repeatedly in random order. REPEAT: The current track is played repeatedly. REPEAT ALL: The entire CD is played repeatedly. SCAN: The first 10 seconds of each of the remaining tracks are played in sequence. 2 Playback starts in the chosen mode after 2 seconds.

ESP

With a conventional portable CD-player you might have experienced that the music stopped e.g. when you were jogging. The Electronic Skip Protection prevents loss of sound caused by light vibrations and shocks. Continuous playback is ensured. However ESP does not prevent playback interruptions during vigorous running. It also does not protect the unit against any damage caused by dropping! In this set ESP is default ON. It is possible to set ESP off.

- Press MODE for more than 2 seconds. ESP disappears. Press MODE again for more than 2 seconds. ESP is displayed.

ESP on -> ESP off -> ESP on

RESUME and HOLD

You can interrupt playback and continue (after up to 1 minute in the disc stop position only) from the position where playback stopped (RESUME). You can also lock all buttons of the set so that no action will be executed (HOLD). Use the RESUME-HOLD-OFF slider for these functions.

RESUME - continuing from where you have stopped

- 1 Switch the slider to RESUME during playback to activate RESUME. RESUME is shown. 2 Press whenever you want to stop playback. 3 Press whenever you want to resume playback. RESUME is shown and playback continues from where you have stopped. Deactivate RESUME, switch the slider to OFF. RESUME goes off.

HOLD - locking all buttons

You can lock the buttons of the set by switching the slider to HOLD. Now, when a key is pressed, no action will be executed. This is of use, for example, when transporting the player in a bag. With HOLD activated, you can avoid accidental activation of other functions.

- 1 Switch the slider to HOLD to activate HOLD. All buttons are locked. Hold is shown when you press any button. If the set is switched off, HOLD will be shown only when is pressed. 2 To deactivate HOLD, switch the slider to OFF.

Note: If you deactivate HOLD by switching the slider to RESUME, you will be activating the RESUME function.

Troubleshooting

WARNING: Under no circumstances should you try to repair the set yourself as this will invalidate the warranty. If a fault occurs, first check the points listed, before taking the unit for repair. If you are unable to solve a problem by following these hints, consult your dealer or service center.

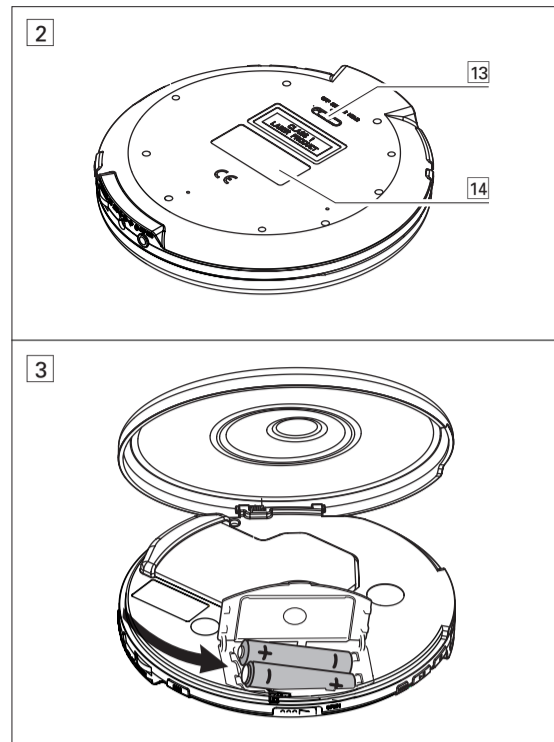
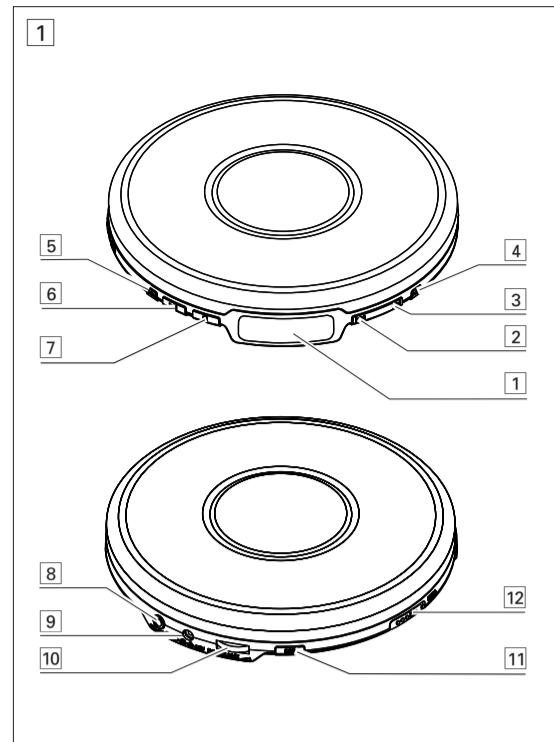
The CD player has no power, or playback does not start Check that your batteries are not dead or empty, that they are inserted correctly, that the contact pins are clean. Your adapter connection may be loose. Connect it securely. For in-car use, check that the car ignition is on. Also check player's batteries.

The indication of is displayed Check that the CD is clean and correctly inserted (label-side upward). If your lens has steamed up, wait a few minutes for this to clear.

The indication of is displayed CD-RW (CD-R) was not recorded properly. Use FINALIZE on your CD-recorder. If HOLD is activated, then deactivate it. Electrostatic discharge. Disconnect power or remove batteries for a few seconds.

The CD skips tracks The CD is damaged or dirty. Replace or clean the CD. RESUME, SHUFFLE or PROGRAM is active. Switch off whichever is on. No sound or bad sound quality. PAUSE might be active. Press. Loose, wrong or dirty connections. Check and clean connections. Strong magnetic fields. Check player's position and connections. Also keep away from active mobile phones.

For in-car use, check that the cassette adapter is inserted correctly, that the car cassette player's playback direction is correct (press autoreverse to change), and that the cigarette lighter jack is clean. Allow time for temperature change.



# INSTRUCCIONES IMPORTANTES DE SEGURIDAD

1. Lea estas instrucciones.
2. Conserve estas instrucciones.
3. Lea todos los avisos.
4. Siga todas las instrucciones – Deberán seguirse todas las instrucciones relativas al funcionamiento y a la utilización del equipo.
5. No utilice este aparato cerca del agua.
6. Para limpiar el aparato utilice sólo un trapo seco.
7. No tape las aperturas de ventilación. Proceda a su instalación de acuerdo con las instrucciones del fabricante.
8. No instale el equipo cerca de fuentes de calor – Como radiadores, calentadores, estufas o cualquier otro aparato (incluyendo los amplificadores) generador de calor.
9. Utilice exclusivamente aquellos dispositivos/accesorios recomendados por el fabricante.
10. Coloque el equipo exclusivamente sobre aquellos carros, bases, trípodes, soportes o mesas especificados por el comerciante o vendidos con el equipo. Cuando utilice un carro, tenga cuidado al desplazar el conjunto carro/equipo para evitar posibles daños por vuelco.
11. Confíe el mantenimiento y las reparaciones a personal técnico especializado. El equipo deberá repararse siempre que haya resultado dañado de alguna manera, como por ejemplo por daños en el cable o en la clavija, por derrame de líquido sobre el equipo, por objetos que hubieran podido introducirse en su interior, por exposición del equipo a la lluvia o a ambientes húmedos, cuando el equipo no funcione con normalidad o cuando hubiera sufrido algún tipo de caída.
12. Uso de las pilas – ADVERTENCIA: Para prevenir escapes en las pilas, que pueden ocasionar lesiones físicas, daños a su propiedad o dañar la unidad:
  - Instale todas las pilas correctamente, + y - como está marcado en la unidad.
  - No mezcle las pilas (viejas con nuevas o de carbono y alcalinas, etc.).
  - Extraiga las pilas cuando no vaya a usar la unidad durante largo tiempo.

EL 6474-5003: 02/8

## GARANTÍA LIMITADA TOCADISCOS DE CD PORTÁTIL

Cambio gratis por 90 días

Se necesita presentación en persona con este producto para cambiarlo.

**¿QUIÉN TIENE PRESENTACIÓN?**  
Usted debe tener su comprobante de venta para cambiar el producto. Una nota de venta u otro documento mostrando que usted compró el producto se considera un comprobante de venta. Adjúntelo a esta manual de instrucciones y reentregue a la mano.

**¿QUE CUBRE?**  
La protección bajo la garantía comienza el mismo día en que usted compra el producto. Durante 90 días a partir de esta fecha, se reemplazará un producto inoperante o defectuoso con otro nuevo, renovado o comparable sin cargo alguno. Un producto de reemplazo tiene cobertura sólo durante el periodo de la garantía original. Una vez que venza la garantía original del producto, también habrá vencido la garantía del producto de reemplazo.

**¿QUE EXCLUYE LA GARANTÍA?**  
Su garantía no cubre:  
• cobros por mano de obra durante la instalación o montaje del producto, ajuste de los controles del cliente o de preferencia e instalación o reparación de los sistemas con antena fuera de la unidad.  
• reparación del producto y/o reemplazo de piezas a raíz de uso indebido, accidente, reparación no autorizada u otra causa no bajo el control de Magnavox.  
• problemas de recepción ocasionados por condiciones de señales o sistemas de cable o de antena fuera de la unidad.  
• un producto que requiera modificación o adaptación para que opere en un país que no sea el país para el que fue concebido, fabricado, aprobado y/o autorizado, o la reparación de productos dañados por tales modificaciones.  
• daños incidentales o consecuentes que resulten del producto. (Algunos estados no permiten la exclusión por daños incidentales o consecuentes, de modo que es posible que la exclusión arriba indicada no le sea aplicable a usted. Esto incluye, sin limitarse, materiales pregrabados con o sin amparo de derechos de autor.)  
• una unidad que se ha usado para fines comerciales o institucionales.

**¿DÓNDE SE EFECTUA EL CAMBIO?**  
Usted puede cambiar el producto en todos los países con distribución oficial del producto por Magnavox. En países donde Magnavox no distribuye el producto, la entidad local de servicio Magnavox tratará de darle un producto de reemplazo (aunque puede haber demora si el producto apropiado no está fácilmente disponible).

Magnavox, P.O. Box 520890, Miami, FL 33152, USA, (407) 536-4171

**ANTES DE PEDIR UN CAMBIO...**  
Por favor, consulte su manual del usuario si necesita ayuda. Si tiene más preguntas, llámenos al 1-800-705-2000.

**PARA CAMBIAR UN PRODUCTO EN LOS EE.UU., PUERTO RICO O LAS ISLAS VIRGENES...**  
Contacte con el 1-800-705-2000 para concertar un cambio. También, usted puede enviar el producto con el seguro y transporte o fregado prepagado, adjuntando el comprobante de venta y enviándolo a la dirección a continuación:

Magnavox Exchange Program  
Suite  
406 North Irish Street  
Greenville TN 37745

(En las EE.UU., Puerto Rico o las Islas Virgenes, toda garantía implícita, inclusive las garantías implícitas de comerciabilidad y aptitud para un propósito en particular, están limitadas en cuanto a duración al plazo de esta garantía expresa. Puesto que algunos estados no permiten limitaciones sobre la duración de una garantía implícita, es posible que la limitación arriba indicada no le sea aplicable a usted.)

**PARA CAMBIAR UN PRODUCTO EN EL CANADA...**  
Favor de comunicarse con Magnavox al:  
1-800-641-6143 (francés)  
1-800-705-2000 (inglés o hispanohablante)

(En el Canadá, esta garantía es otorgada en lugar de toda otra garantía. No se otorga ninguna otra garantía expresa ni implícita, comprendiéndose aquí ninguna garantía implícita de comerciabilidad o aptitud para propósito alguno. Magnavox no será responsable bajo circunstancia alguna por daños y perjuicios directos, indirectos, especiales, incidentales o consecuentes, independientemente de la manera ocasionada, así con notificación de la posibilidad de los mismos.)

**RECUERDE...**  
Favor de anotar los números de modelo y serie del producto en el espacio abajo. También, sírvase llenar y enviar oportunamente su tarjeta de registro de la garantía. Así nos será más fácil notificarle en caso de ser necesario.

Modelo No. \_\_\_\_\_  
Serie No. \_\_\_\_\_

Esta garantía le otorga derechos legales específicos y usted podría gozar de otros derechos que varían de un estado a otro.

## Envíe hoy su Tarjeta de Registro de la Garantía para recibir todas las ventajas correspondientes.

• Una vez que se registre la compra de su aparato Magnavox, Ud. tiene derecho a todas las ventajas correspondientes al dueño de un producto Magnavox.  
• Sírvase llenar y devolver en seguida su Tarjeta de Registro de la Garantía empacada con su aparato y saque provecho de estas ventajas importantes.

**Verificación de la garantía**  
Registre su producto dentro de 10 días para confirmar su derecho a máxima protección bajo los términos y condiciones de la garantía de Magnavox.  
**Confirmación del dueño**  
Su Tarjeta de Registro de la Garantía comprueba que Ud. es el dueño del aparato en caso de robo o pérdida del producto.  
**Registro del modelo**  
La devolución inmediata de su Tarjeta de Registro de la Garantía le garantiza que recibirá toda la información y todas las promociones especiales que le corresponden por ser el dueño de su modelo.

**Conozca estos símbolos de seguridad**  
**PRECAUCIÓN**  
RIESGO DE SACUDIDA ELÉCTRICA NO ABRIR  
PRECAUCIÓN  
RIESGO DE SACUDIDA ELÉCTRICA NO ABRIR  
El símbolo del rayo indica que algún material no aislado dentro de su unidad podría resultar en una sacudida eléctrica. Para la seguridad de todos, favor de no remover la cubierta del producto.  
El signo de exclamación le llama la atención a características sobre las que Ud. debe leer la información adjunta detenidamente para evitar problemas de funcionamiento y mantenimiento.

**Para uso del cliente:**  
Escriba abajo el número de serie que se encuentra en el panel posterior. Guarde esta información para el futuro.  
No. de modelo \_\_\_\_\_  
No. de serie \_\_\_\_\_

**ADVERTENCIA:** PARA EVITAR EL RIESGO DE SACUDIDA ELÉCTRICA O INCENDIO, NO EXPONGA ESTE EQUIPO A LLUVIA NI A HUMEDAD.

**PRECAUCIÓN:** Para evitar sacudida eléctrica, introduzca la pila ancha del enchufe al fondo de la ranura ancha.

## ESPAÑOL CONTROLES / ALIMENTACIÓN ELÉCTRICA

- CONTROLES ( Véanse las figuras 1 / 2 )**
- 1 pantalla
  - 4 realiza un salto y busca hacia atrás en las pistas del CD
  - 3 realiza un salto y busca hacia delante en las pistas del CD
  - PROG programa pistas y revisa el programa
  - MODE selección entre las diferentes posibilidades de reproducción: SHUFFLE, SHUFFLE REPEAT ALL, REPEAT, REPEAT ALL y S-C RPT
  - II pone en marcha el equipo, inicia o hace una pausa en la reproducción del CD
  - detiene la reproducción del CD, borra todos los programas o apaga el equipo
  - LINE OUT/A conexión de 3,5 mm para auriculares, conexión para acoplar el equipo a otro de entrada de un aparato adicional, conexión
  - 4.5V DC conector para fuente de alimentación externa
  - VOL ajusta el volumen
  - DBB activa y desactiva la intensificación de graves. Este botón también activa y desactiva la realimentación acústica (el bip) si se pulsa más de dos segundos
  - OPEN abre la tapa del CD
  - OFF desactiva RESUME y HOLD
  - RESUME guarda la última posición de una pista de CD reproducida
  - HOLD bloquea todos los botones
  - placa de características técnicas

**ATENCIÓN**  
El uso de mandos o ajustes o la ejecución de métodos que no sean los aquí descritos puede ocasionar peligro de exposición a radiación.

## ALIMENTACIÓN ELÉCTRICA / INFORMACIÓN GENERAL

**Adaptador de red (incluido u opcional)**

Utilice sólo un adaptador de red 4.5 V (300 mA corriente continua, con el polo positivo en la patilla central). Cualquier otro adaptador de red puede dañar el equipo.

- 1 Compruebe que el voltaje local es el mismo que el del adaptador de red.
- 2 Conecte el adaptador de red a la toma 4.5V DC del reproductor y a un enchufe de pared.

*Nota: Desconecte siempre el adaptador cuando no vaya a utilizarlo.*

**Información medioambiental**

- Se ha suprimido todo el material de embalaje innecesario. Hemos hecho todo lo posible para que el embalaje pueda separarse en dos tipos únicos de materiales: cartón (la caja) y polietileno (las bolsas y la plancha de espuma protectora).
- Los materiales que componen el equipo son reciclables y reutilizables si son desmontados por una empresa especializada. Por favor, siga las normas y regulaciones locales a la hora de tirar los materiales de embalaje, pilas agotadas o su antiguo equipo a la basura.

*El aparato cumple las normas FCC, Parte 15 y 21 CFR 1040.10. Funcionamiento dependiente de dos condiciones siguientes:*

1. Este aparato no puede provocar interferencia dañina, y
2. Este aparato debe aceptar cualquier interferencia recibida, incluyendo las interferencias que pueden provocar un funcionamiento insuficiente.

## INFORMACIÓN GENERAL / REPRODUCCIÓN DE UN CD

**Utilización en el automóvil (conexiones incluidas u opcionales)**

Utilice solamente un adaptador de tensión 4.5 V DC (corriente continua, polo positivo a la patilla central) y un adaptador de cassette del vehículo. Cualquier otro producto podría dañar el equipo.

- 1 Coloque el equipo en una superficie horizontal, estable y sin vibraciones. Asegúrese de que esté en un lugar seguro, en el que el equipo no sea ni un peligro ni un obstáculo para el conductor y para los pasajeros.
- 2 Enchufe el convertidor de tensión en la toma del encendedor (sólo para baterías de 12 V, negativo conectado a tierra), después conecte el final cableado al jack de entrada 4.5V DC en el equipo.
- 3 Si fuera necesario, limpie la toma del encendedor para lograr un buen contacto eléctrico.
- 4 Baje el volumen y conecte el enchufe del adaptador de cassette a LINE OUT/A en el equipo.
- 5 Introduzca el adaptador de cassette cuidadosamente en el compartimento del radiocasete del vehículo.
- 6 Asegúrese de que el cable no le entorpezca al conducir.
- 7 Si fuera necesario, baje el volumen en el equipo. Inicie la reproducción en el equipo y ajuste el sonido con los controles de la radio del coche.

• Extraiga siempre el adaptador de tensión de la toma del encendedor del vehículo cuando no está utilizando el equipo.

*Nota: Si la radio de su coche tiene una toma LINE IN, es mejor utilizarla para la conexión de la radio del vehículo en lugar del adaptador de cassette. Conecte el cable de señal a esta toma LINE IN y a LINE OUT/A en el equipo.*

## REPRODUCCIÓN DE UN CD / CARACTERÍSTICAS

**Información acerca de las reproducciones**

- Si un CD grabable (CD-R) o CD regrabable (CD-RW) no está grabado correctamente, aparecerá **no CD** en la pantalla. En ese caso, utilice la función **FINALIZE** del reproductor de CD para completar la grabación.
- Si desea reproducir un CD regrabable (CD-RW), la reproducción tardará entre 3-15 segundos después de pulsar **II**.
- La reproducción se detendrá y el aparato se apagará si Vd. abre la tapa del CD.
- **II** / **---** / **---** parpadeará durante la lectura del CD.

**Volumen y graves**

- Ajuste el volumen utilizando VOL

**Ajuste de graves**

- Pulsar **DBB** para activar o desactivar la intensificación de bajos.
- **DBB** se muestra en pantalla si se ha activado la intensificación de bajos.

## CARACTERÍSTICAS

**Programación de números de pista**

Se pueden guardar hasta 30 pistas para reproducirlas en un programa. Una sola pista puede ser guardada más de una vez en el programa.

- 1 Mientras la reproducción se encuentra detenida, seleccione una pista mediante **II** / **---**.
- 2 Pulse **PROG** para guardar la pista.
  - **PROG** se encenderá en la pantalla.
  - **PROG** aparecerá en el número de la pista programada y **P** con el número total de pistas guardadas.
- 3 Seleccione y guarde de esta manera todas las pistas que desee.
- 4 Pulse **II** para iniciar la reproducción de las pistas seleccionadas.
  - Aparecerá **PROG** en la pantalla y comenzará la reproducción.

• Puede revisar el programa pulsando **PROG** durante más de 2 segundos.

- Aparecerán en la pantalla todas las pistas guardadas por su orden.

*Notas: - Si pulsa PROG y no hay una pista seleccionada, aparecerá no P o P en la pantalla. - Si intenta guardar más de 30 pistas, aparecerá F.U.L.L.*

**Borrado del programa**

- Mientras la reproducción está detenida, pulse **II** para borrar el programa.
- Aparecerá **CLER** una vez en la pantalla, desaparecerá **PROG** y el programa se borrará.

*Nota: El programa también será borrado si la alimentación eléctrica se interrumpe, si se abre la tapa del CD, o si el equipo se apaga automáticamente.*

## CARACTERÍSTICAS / SOLUCIÓN DE PROBLEMAS

**RESUME y HOLD**

Se puede interrumpir la reproducción y continuarla (después de 1 minuto como máximo, sólo en la posición del disco parado) en el punto en que fue interrumpida (RESUME) y se pueden bloquear todos los botones de modo que no se ejecute ninguna acción (HOLD). Use el interruptor deslizable RESUME-HOLD-OFF para estas funciones.

**RESUME - continúa desde donde fue interrumpida**

- 1 Coloque el interruptor deslizable en la posición RESUME durante la reproducción para activar RESUME.
  - Aparece RESUME en la pantalla.
- 2 Pulse **II** cuando desee detener la reproducción.
- 3 Pulse **II** cuando desee continuar la reproducción.
  - Aparece RESUME en la pantalla y continuará la reproducción a partir del punto en que se detuvo.

• Para desactivar la función RESUME, cambie el interruptor deslizable a la posición OFF.

- Desaparece RESUME.

**HOLD - bloqueo de todos los botones**

Se pueden bloquear los botones colocando el interruptor deslizable en HOLD. Si se pulsa una tecla no se ejecutará ninguna acción. Esto es útil, por ejemplo, para evitar la activación accidental de otras funciones.

- 1 Coloque el interruptor deslizable en la posición HOLD para activar esta función.
  - Se bloquearán todos los botones. Aparecerá **HoLd** en la pantalla.
  - Si se pulsa una tecla no se ejecutará ninguna acción. Si se apaga el equipo, sólo aparecerá **HOLD** en la pantalla al pulsar **II**.
- 2 Para desactivar la función HOLD, cambie el interruptor deslizable a la posición OFF.

*Nota: Al desactivar la función HOLD cambiando el interruptor deslizable a RESUME y reiniciar, la reproducción continuará desde la posición donde se detuvo.*

## Canada

**English:** This digital apparatus does not exceed the Class B limits for radio noise emissions from digital apparatus as set out in the Radio Interference Regulations of the Canadian Department of Communications.  
**Franglais:** Cet appareil numérique n'émet pas de bruits radioélectriques dépassant les limites applicables aux appareils numériques de Classe B prescrites dans le Règlement sur le Bruitage Radioélectrique édicté par le Ministère des Communications du Canada.

**ADVERTENCIA:** PARA REDUCIR EL RIESGO DE INCENDIO O DESCARGA ELÉCTRICA, ESTE APARATO NO DEBE EXPONERSE A LA LLUVIA NI LA HUMEDAD, Y NO SE DEBE COLOCAR SOBRE EL APARATO NINGÚN OBJETO QUE CONTenga LIQUIDO, POR EJEMPLO UNA JARRA.

## Pilas (incluidas o disponibles de forma opcional)

Con este equipo puede utilizar:  
• pilas normales de tipo **LR6, UM3 o AA** (preferiblemente, Philips) o pilas alcalinas tipo **LR6, UM3 o AA** (preferiblemente, Philips).  
*Nota: No deben utilizarse mezcladas pilas nuevas con pilas usadas ni de tipos diferentes. Si las pilas están descargadas o no va a utilizar el equipo durante un largo periodo de tiempo, quítelas.*

**Instalación de las pilas ( Véanse las figuras 3 )**

- 1 Pulse **OPEN** para abrir la tapa del CD.
- 2 Abra el compartimento de las pilas e inserte 2 pilas normales, alcalinas.

**Indicación de la pila**  
El nivel de carga aproximado de las pilas se muestra en la pantalla.

**Pila cargada**  
Dos tercios de la pila cargados  
Un tercio de la pila cargado

**Pila descargada o gastada.** Si las pilas están descargadas o gastadas, parpadeará, **bRtE** aparecerá y el bip sonará repetidamente.

**Al deshacerse de las pilas, hágalo con precaución, ya que éstas contienen sustancias químicas peligrosas.**

**Tanto el número del modelo como el número de producción están situados en la base del aparato.**

## Manejo del reproductor de CD y de los CDs

- No toque las lentes (A) del reproductor de CDs.
- No exponga el equipo, las pilas o los CDs a la humedad, lluvia, arena o calor excesivo (ya sea provocado por aparatos calefactores como por la exposición directa al sol).
- Puede limpiar el reproductor de CD con un paño suave, ligeramente humedecido y que no deje restos de hilos. No utilice productos de limpieza, ya que pueden tener efectos corrosivos.
- Para limpiar el CD, frotelo siguiendo líneas rectas desde el centro al exterior, utilizando un paño suave que no deje restos de hilos. Los productos de limpieza pueden dañar el disco! No escriba nunca sobre el CD ni pegue en él ninguna etiqueta.
- Las lentes pueden quedar turbias cuando se traslade de forma rápida de un ambiente frío a otro templado. Esto imposibilitará la reproducción de un CD. En ese caso, deje reposar el reproductor en un lugar cálido hasta que se evapore la humedad.
- La utilización de teléfonos móviles en las proximidades del reproductor de CD puede provocar un funcionamiento incorrecto.
- Evite las caídas del equipo, ya que podría sufrir daños.

**Auriculares**

- Conecte los auriculares incluidos con el equipo a la clavija LINE OUT/A.

*Nota: LINE OUT/A puede usarse para conectar el reproductor de CD a un equipo de alta fidelidad (con un cable de señal) o a la radio del automóvil (con adaptador de cassette o cable de señal). En ambos casos colocar el volumen en la posición 8.*

**¡IMPORTANTE!**  
Advertencia de seguridad: No emplee los auriculares a gran volumen. Los especialistas de oídos advierten que el uso continuado a gran volumen puede dañar el oído de manera permanente.  
Seguridad en la carretera: No utilice los auriculares mientras conduzca un vehículo, ya que podría provocar un accidente y es ilegal en muchos países. Aunque sus auriculares sean para utilizar al aire libre y diseñados para permitirle oír los sonidos del exterior, no ponga el volumen tan alto que no pueda oír lo que pasa a su alrededor.

## Reproducción de un CD

Este equipo puede reproducir toda clase de **discos de audio**, como CD grabables y CD regrabables. No intente reproducir un CD-ROM, Cdi, VCD, DVD o CD de ordenador.

- 1 Pulse el botón deslizable **OPEN** para abrir el reproductor.
- 2 Inserte un CD de audio, cara impresa hacia arriba presionando el CD en el centro.
- 3 Cierre el reproductor empujando la tapa hacia abajo.
- 4 Pulse **II** para ponerlo en funcionamiento e iniciar la reproducción.
  - Aparecerá en pantalla el número de pista actual y el tiempo de reproducción transcurrido.

• Puede hacer una pausa la reproducción pulsando **II**.

• Parpadeará en la pantalla el tiempo transcurrido hasta el momento de la interrupción.

• Continúe la reproducción pulsando otra vez **II**.

- 5 Pulse **II** para detener la reproducción.
  - Aparecerá en la pantalla el número total de pistas y el tiempo total de reproducción del CD.
- 6 Pulse otra vez **II** para apagar el equipo.

• Para quitar el CD del equipo, sujételo por el borde y presione suavemente el eje mientras levanta el disco.

*Nota: Si no hay actividad, el equipo se apagará automáticamente para ahorrar energía.*

## Selección de una pista y búsqueda

**Selección de una pista durante la reproducción**

- Pulse brevemente **II** / **---** una o varias veces para saltar a la pista actual, la anterior o la siguiente.
- La reproducción continúa con la pista seleccionada y su número aparece en pantalla.

**Selección de una pista cuando se ha detenido la reproducción**

- 1 Pulse brevemente **II** / **---** una o varias veces.
  - Aparecerá en la pantalla el número de la pista seleccionada.
- 2 Pulse **II** para iniciar la reproducción de CD.
  - La reproducción empezará por la pista seleccionada.

**Búsqueda de un pasaje durante la reproducción**

- 1 Mantenga pulsada **II** / **---** para buscar un pasaje concreto hacia atrás o hacia delante, respectivamente.
  - Se iniciará la búsqueda y la reproducción continúa a bajo volumen. La búsqueda se acelera transcurridos 2 segundos.
- 2 Suelte el botón cuando llegue al pasaje que desee.
  - La reproducción normal continuará desde ese punto.

*Notas: - Si el reproductor está en SCAN (consultar MODE), la búsqueda no es posible. - En shuffle, shuffle repeat all o repeat (consultar MODE), o durante la reproducción de un programa, la búsqueda sólo es posible en esa pista en concreto.*

## Selección de las distintas posibilidades de reproducción - MODE

Se pueden reproducir pistas en orden aleatorio, repetir una pista o todo el CD y reproducir los primeros segundos de cada pista.

- 1 Pulse **MODE** durante la reproducción las veces que sean necesarias para activar una de las siguientes funciones.
  - La función activa se muestra en pantalla.
  - **SHUFFLE**: Todas las pistas del CD se reproducirán en orden aleatorio hasta que todas ellas se hayan reproducido una vez.
  - **SHUFFLE REPEAT ALL**: Todas las pistas del CD se reproducirán repetidamente en orden aleatorio.
  - **REPEAT**: La pista actual se reproducirá repetidamente.
  - **REPEAT ALL**: Todo el CD se reproducirá repetidamente.
  - **S-C RPT**: Los primeros 10 segundos de cada pista se reproducirán según su orden.
- 2 La reproducción comenzará en el modo seleccionado transcurridos 2 segundos.

• Para regresar al modo de reproducción normal, pulse **MODE** repetidamente hasta que desaparezca la indicación de la pantalla.

**ESP**

Los CD portátiles convencionales están expuestos a que un golpe o vibración durante la reproducción hagan saltar partes del CD. La función **ELECTRONIC SHIP PROTECTION (ESP)** con la que el equipo está dotado, impide la pérdida de continuidad si el reproductor está expuesto a ligeras vibraciones. ESP no impide las interrupciones causadas por ejercicios bruscos. ¡Jamás proteja de daños causados por caídas! En este aparato, ESP está activado por defecto. Es posible desactivar ESP y entrar en el modo de ahorro de corriente.

- Pulse **MODE** durante más de 2 segundos.
- **ESP** desaparece.
- Pulse **MODE** durante más de 2 segundos.
- **ESP** aparece una vez.

**ESP activ - ESP desactiv - ESP activ.**

## Free Manuals Download Website

<http://myh66.com>

<http://usermanuals.us>

<http://www.somanuals.com>

<http://www.4manuals.cc>

<http://www.manual-lib.com>

<http://www.404manual.com>

<http://www.luxmanual.com>

<http://aubethermostatmanual.com>

Golf course search by state

<http://golfingnear.com>

Email search by domain

<http://emailbydomain.com>

Auto manuals search

<http://auto.somanuals.com>

TV manuals search

<http://tv.somanuals.com>