



OWNERS MANUAL FOR

Permanently Lubricated Air Compressor

MODEL NO.
MAC2200

SPECIFICATION CHART

| Model No. | MAC2200 |
|---------------------------|-------------------|
| Horsepower | 2 |
| Displacement CFM | 11.9 |
| SCFM @ 40 psig | 8.3 |
| SCFM @ 90 psig | 6.1 |
| Cut-In | 100 PSI |
| Cut-Out | 125 PSI |
| Bore | 2 3/8" |
| Stroke | 1.35" |
| Voltage-Single Phase | 120 |
| * Fuse Type | "Fusetron" Type T |
| Amperage at Max. Pressure | 15 amps |
| Tank Size | 4 Gallon |
| U.L. & CUL Listed | |

Minimum Circuit Requirement 15 AMPS

*A circuit breaker is preferred. Use only a fuse or circuit breaker that is the same rating as the branch circuit the air compressor is operated on. If the air compressor is connected to a circuit protected by fuses, use time delay fuses.

NOTE:

For identification of Parts, see Page 11 in this Manual.

IMPORTANT:

Read the Safety Guidelines and All Instructions Carefully Before Operating.

TABLE OF CONTENTS

| | Page | | Page |
|--|------|---|------------|
| SAFETY GUIDELINES | 2 | OPERATING PROCEDURES | 7 |
| WARNING CHART | 3-4 | Daily Start-up Checklist | 7 |
| GLOSSARY | 5 | MAINTENANCE | 8 |
| DUTY CYCLE | 5 | Air Filter - Inspection and Replacement | 8 |
| GENERAL INFORMATION | 5 | Safety Valve - Inspection | 8 |
| ON-RECEIPT INSPECTION | 5 | Check Valve Replacement | 8 |
| DESCRIPTION OF OPERATION | 5 | Motor | 8 |
| INSTALLATION AND BREAKIN PROCEDURES | 6-7 | STORAGE | 9 |
| Location of Air Compressor | 6 | TROUBLESHOOTING GUIDE | 9-10 |
| Lubrication and Oil | 6 | AIR COMPRESSOR DIAGRAM | 11 |
| Extension Cords | 6 | AIR COMPRESSOR PARTS LIST | 12 |
| Piping | 6 | AIR COMPRESSOR PUMP DIAGRAM | 13 |
| Grounding Instructions | 6-7 | AIR COMPRESSOR PUMP PARTS LIST | 14 |
| Additional Regulators & Controls | 7 | WARRANTY STATEMENT | Back Cover |
| Break-In Procedures | 7 | | |

SAFETY GUIDELINES - DEFINITIONS

This manual contains information that is important for you to know and understand. This information relates to protecting **YOUR SAFETY** and **PREVENTING EQUIPMENT PROBLEMS**. To help you recognize this information, we use symbols to the right. Please read the manual and pay attention to these sections.

▲ DANGER

URGENT SAFETY INFORMATION - A HAZARD THAT WILL CAUSE SERIOUS INJURY OR LOSS OF LIFE.

▲ CAUTION

Information for preventing damage to equipment.

▲ WARNING

IMPORTANT SAFETY INFORMATION - A HAZARD THAT MIGHT CAUSE SERIOUS INJURY OR LOSS OF LIFE.

NOTE

Information that you should pay special attention to.

IMPORTANT SAFETY INSTRUCTIONS

• SAVE THESE INSTRUCTIONS •





⚠ WARNING

IMPROPER OPERATION OR MAINTENANCE OF THIS PRODUCT COULD RESULT IN SERIOUS INJURY AND PROPERTY DAMAGE. READ AND UNDERSTAND ALL WARNINGS AND OPERATING INSTRUCTIONS BEFORE USING THIS EQUIPMENT.



| HAZARD | WHAT CAN HAPPEN | HOW TO PREVENT IT |
|--|--|--|
| <p style="text-align: center;">⚠ WARNING</p> <p style="text-align: center;">RISK OF BURSTING</p> <div style="text-align: center;">  </div> | <p><i>Air Tank</i></p> <ul style="list-style-type: none"> • THE FOLLOWING CONDITIONS COULD lead to a weakening of the tank, and RESULT IN A VIOLENT TANK EXPLOSION: <ol style="list-style-type: none"> 1. FAILURE TO PROPERLY DRAIN condensed WATER FROM THE TANK, causing rust and thinning of the tank steel. 2. MODIFICATIONS or attempted repairs TO THE TANK. 3. Unauthorized MODIFICATIONS TO THE PRESSURE SWITCH, SAFETY VALVE, OR any OTHER COMPONENTS WHICH CONTROL tank PRESSURE. <p><i>Attachments and Accessories</i></p> <ul style="list-style-type: none"> • EXCEEDING THE PRESSURE RATING OF AIR TOOLS, spray guns, air operated accessories, tires AND other INFLATABLES CAN CAUSE THEM TO EXPLODE or fly apart, and could result in serious injury. | <ul style="list-style-type: none"> • DRAIN TANK DAILY OR AFTER EACH USE. If tank develops a leak, replace it immediately with a new tank or new compressor outfit. • NEVER drill into, weld, or MAKE ANY MODIFICATIONS TO THE TANK or its attachments. Never attempt to repair a damaged or leaking tank. Replace with a new tank. • The tank is designed to withstand specific operating pressures. NEVER MAKE ADJUSTMENTS OR PARTS SUBSTITUTIONS TO alter the FACTORY SET operating PRESSURES. • FOR essential CONTROL OF AIR PRESSURE, you must INSTALL A PRESSURE REGULATOR AND REGULATED AIR PRESSURE GAUGE to the air outlet of your compressor. • Follow the equipment manufacturers recommendation and never exceed the maximum allowable pressure rating of attachments. NEVER USE THE COMPRESSOR TO INFLATE SMALL LOW-PRESSURE OBJECTS SUCH AS CHILDREN'S TOYS, FOOTBALLS, BASKETBALLS, ETC. |
| <p style="text-align: center;">⚠ WARNING</p> <p style="text-align: center;">RISK OF ELECTRIC SHOCK</p> <div style="text-align: center;">  </div> | <ul style="list-style-type: none"> • Your AIR COMPRESSOR is powered by electricity. Like any other electrically powered device, IF it is NOT USED PROPERLY it MAY CAUSE ELECTRICAL SHOCK. • ELECTRICAL GROUNDING: FAILURE TO PROVIDE ADEQUATE GROUND-ING TO THIS PRODUCT COULD RESULT IN SERIOUS INJURY OR DEATH FROM ELECTROCUTION. SEE GROUNDING INSTRUCTIONS IF APPLICABLE. | <ul style="list-style-type: none"> • Any ELECTRICAL WIRING OR REPAIRS required to this product SHOULD BE PERFORMED BY QUALIFIED SERVICE PERSONNEL OR a LICENSED ELECTRICIAN, in accordance with national and local electrical codes. • MAKE CERTAIN that the ELECTRICAL CIRCUIT to which the compressor is connected PROVIDES PROPER ELECTRICAL GROUNDING, CORRECT VOLTAGE, AND ADEQUATE FUSE PROTECTION. • Never operate the compressor outdoors when it is raining. |
| <p style="text-align: center;">⚠ WARNING</p> <p style="text-align: center;">RISK OF EXPLOSION OR FIRE</p> <div style="text-align: center;">  </div> | <ul style="list-style-type: none"> • It is normal for ELECTRICAL CONTACTS within the motor and pressure switch to SPARK WHENEVER THE COMPRESSOR STARTS OR STOPS. | <ul style="list-style-type: none"> • Always OPERATE the COMPRESSOR IN a well ventilated AREA FREE OF GASOLINE OR SOLVENT VAPORS. • If spraying flammable materials, LOCATE COMPRESSOR at least 20 FEET AWAY FROM SPRAY AREA. • STORE FLAMMABLE MATERIALS in a secure location AWAY FROM COMPRESSOR. |

IMPORTANT SAFETY INSTRUCTIONS (cont'd)

| HAZARD | WHAT CAN HAPPEN | HOW TO PREVENT IT |
|--|---|---|
| <p style="text-align: center;">⚠ WARNING RISK TO BREATHING</p>  | <ul style="list-style-type: none"> The COMPRESSED AIR from your compressor IS NOT SAFE FOR BREATHING! The air stream may contain carbon monoxide or other toxic vapors, or particles from the tank or other components. SPRAYED MATERIALS such as paint, paint solvents, paint remover, insecticides, weed killers, etc., CONTAIN HARMFUL VAPORS and poisons. | <ul style="list-style-type: none"> NEVER INHALE AIR FROM THE COMPRESSOR, either directly or from a breathing device connected to the compressor. WORK IN AN AREA equipped WITH GOOD CROSS-VENTILATION. Read and FOLLOW THE SAFETY INSTRUCTIONS provided on the label or safety data sheet FOR THE MATERIAL YOU ARE SPRAYING. USE A NIOSH/MSHA APPROVED RESPIRATOR designed FOR use with your specific APPLICATION. |
| <p style="text-align: center;">⚠ WARNING RISK FROM FLYING OBJECTS</p>  | <ul style="list-style-type: none"> The COMPRESSED AIR STREAM CAN cause soft tissue damage, and can PROPEL dirt, chips, loose PARTICLES and small objects at high speed, resulting in property damage or personal injury. | <ul style="list-style-type: none"> ALWAYS WEAR ANSI Z87.1 APPROVED SAFETY GLASSES with side shields when using the compressor. NEVER POINT any nozzle or SPRAYER toward any part of the body or AT OTHER PEOPLE or animals. Always TURN the COMPRESSOR OFF AND BLEED PRESSURE from the air line BEFORE attempting maintenance, ATTACHING TOOLS or accessories. |
| <p style="text-align: center;">⚠ WARNING RISK FROM MOVING PARTS</p>  | <ul style="list-style-type: none"> The COMPRESSOR CYCLES AUTOMATICALLY WHEN the PRESSURE SWITCH IS IN THE ON/AUTO POSITION! If you attempt repair or maintenance while the compressor is operating, or with the switch in the ON/AUTO position, you can expose yourself to moving parts. These MOVING PARTS CAN CAUSE SERIOUS INJURY or damage if they come into contact with you or your clothing. | <ul style="list-style-type: none"> Always UNPLUG the COMPRESSOR AND RELEASE AIR PRESSURE from the tank and any attachments BEFORE ATTEMPTING any MAINTENANCE OR REPAIR. NEVER OPERATE the COMPRESSOR WITH GUARDS or covers which are damaged or REMOVED. |
| <p style="text-align: center;">⚠ WARNING RISK OF BURN</p>  | <ul style="list-style-type: none"> Contact with HOT PARTS such as the compressor head or outlet tubes COULD RESULT IN A SERIOUS SKIN BURN. | <ul style="list-style-type: none"> NEVER TOUCH HOT COMPONENTS during or immediately after operation of the compressor. Do not reach around protective shrouds or attempt maintenance until unit has been allowed to cool. |

PCOM1096

GLOSSARY

CFM: Cubic feet per minute.

SCFM: Standard cubic feet per minute; a unit of measure of air delivery.

PSIG: Pounds per square inch gauge; a unit of measure of pressure.

ASME: American Society of Mechanical Engineers; made, tested, inspected and registered to meet the standards of ASME.

California Code: Units comply with California Code 462 (L) (2)/(M) (2). Specification/model label is on the side of the tank on units that comply with California Code.

Cut-In Pressure: While the motor is off, air tank pressure drops as you continue to use your accessory

or air tool. When the tank pressure drops to a certain level* the motor will restart automatically. The pressure at which the motor automatically re-starts is called "cut-in pressure."

Cut-Out Pressure: When you turn on your air compressor and it begins to run, air pressure in the air tank begins to build. It builds to a certain pressure before the motor automatically shuts off - protecting your air tank from pressure higher than its capacity. The pressure at which the motor shuts off is called "cut-out pressure."

U.L. Listed: Products with the U.L. mark are listed by Underwriters Laboratories, Inc. (U.L.). Samples of these products have been evaluated by U.L. and meet the applicable U.L. standards for safety.

**See Specification Chart on front page.*

DUTY CYCLE

All Makita manufactured air compressors should be operated on not more than a 50% duty cycle. This means an air compressor that pumps air more than 50% of one hour is considered misuse, because the air compressor is undersized for the required air demand. Maximum compressor pumping time per hour is 30 minutes.

GENERAL INFORMATION

This air compressor requires no oil. Now you can enjoy all the benefits of having an air compressor without ever having to purchase, add or change oil.

Your air compressor can be used for operating paint spray guns, air tools, caulking guns, grease guns, air brushes, sandblaster, inflating tires and plastic toys, or spraying weed killers, insecticides, etc. An air pressure regulator is supplied for these applications.

Separate air transformers which combine the functions of air regulation and/or moisture and dirt removal should be used where applicable.

ON-RECEIPT INSPECTION

DAMAGE: Each air compressor outfit is carefully tested and checked before shipment. With improper handling, damage may result in transit and cause problems in compressor operation.

Immediately upon arrival, check equipment for both concealed and visible damages to avoid expenses being incurred to correct such problems. This should be done regardless of any visible signs of damage to the shipping container. If this product was shipped directly to you, report any damages to carrier and arrange for inspection of goods immediately.

DESCRIPTION OF OPERATION

Drain Valve: The drain valve is located at the base of the air tank and is used to drain condensation at the end of each use.

Motor Thermal Overload Protector: The electric motor has an automatic thermal overload protector. If the motor overheats for any reason, the thermal overload protector will shut off the motor. The motor must be allowed to cool before restarting.

ON/AUTO - OFF Switch: Turn this switch ON to provide automatic power to the pressure switch and OFF to remove power at the end of each use.

Air Intake Filter: This filter is designed to clean air coming into the pump. This filter must always be clean and free from obstructions. See "Maintenance".

Air Compressor Pump: To compress air, the piston moves up and down in the cylinder. On the downstroke, air is drawn in through the air intake valve. The exhaust valve remains closed. On the upstroke of the piston, air is compressed. The intake valve closes and compressed air is forced out through the exhaust valve, through the outlet tube, through the check valve and into the air tank. Working air is not available until the compressor has raised the air tank pressure above that required at the air outlet.

Check Valve: When the air compressor is operating, the check valve is "open", allowing compressed air to enter the air tank. When the air compressor reaches "cut-out" pressure, the check valve "closes", allowing air pressure to remain inside the air tank.

continued ➤

DESCRIPTION OF OPERATION (cont'd)

Pressure Release Valve: The pressure release valve located on the side of the pressure switch, is designed to automatically release compressed air from the compressor head and the outlet tube when the air compressor reaches "cut-out" pressure or is shut off. If the air is not released, the motor will try to start, but will be unable to. The pressure release valve allows the motor to restart freely. When the motor stops running, air will be heard escaping from this valve for a few seconds. No air should be heard leaking when the motor is running, or continuous leaking after unit reaches cut-out pressure.

Pressure Switch: The pressure switch automatically starts the motor when the air tank pressure drops to the factory set "cut-in" pressure. It stops the motor when the air tank pressure reaches the factory set "cut-out" pressure.

Safety Valve: If the pressure switch does not shut off the air compressor at its cut-out pressure setting, the safety valve will protect against high pressure by "popping out" at its factory set pressure (slightly higher than the pressure switch cut-out setting).

Outlet Pressure Gauge: The outlet pressure gauge indicates the air pressure available at the outlet side of the regulator. This pressure is controlled by the regulator and is always less or equal to the tank pressure. See "Operating Procedures".

Tank Pressure Gauge: The tank pressure gauge indicates the reserve air pressure in the tank.

Regulator: The air pressure coming from the air tank is controlled by the regulator knob. Turn the knob clockwise to increase pressure and counterclockwise to decrease pressure. To avoid minor readjustment after making a change in pressure setting, always approach the desired pressure from a lower pressure. When reducing from a higher to a lower setting, first reduce to some pressure less than that desired, then bring up to the desired pressure. Depending on the air requirements of each particular accessory, the outlet regulated air pressure may have to be adjusted while you are operating the accessory.

INSTALLATION AND BREAK-IN PROCEDURES

Location of the Air Compressor

Locate the air compressor in a clean, dry and well ventilated area. The air filter must be kept clear of obstructions which could reduce air delivery of the air compressor. The air compressor should be located at least 12" away from the wall or other obstructions that will interfere with the flow of air. The air compressor head and shroud are designed to allow for proper cooling. If humidity is high, an air filter can be installed on the air outlet adapter to remove excessive moisture. Follow the instructions packaged with the air filter for proper installation.

Lubrication and Oil

This unit needs no lubrication or oiling.

Extension Cords

To avoid voltage drop, power loss, and overheating of the motor, use extra air hose instead of an extension cord. Low voltage can cause damage to the motor.

If an extension cord *must* be used:

- use only a 3-wire extension cord that has a 3-blade grounding plug and a 3-slot receptacle that will accept the plug on the air compressor.
- make sure the extension cord is in good condition.
- the extension cord should be no longer than 50 feet.
- the minimum wire size is 12 gauge (AWG). (Wire size increases as gauge number decreases. 10 AWG and 8 AWG may also be used. DO NOT USE 14 AWG or 16 AWG.)

Piping

⚠ WARNING

Plastic or PVC pipe is not designed for use with compressed air. Regardless of its indicated pressure rating, plastic pipe can burst from air pressure. Use only metal pipe for air distribution lines.

Piping (cont'd)

If a pipe line is necessary, use pipe that is the same size as the air tank outlet. Piping that is too small will restrict the flow of air. If piping is over 100 feet long, use the next larger size. Bury underground lines below the frost line and avoid pockets where condensation can gather and freeze. Apply pressure before underground lines are covered to make sure all pipe joints are free of leaks.

GROUNDING INSTRUCTION

⚠ WARNING

RISK OF ELECTRICAL SHOCK! In the event of a short circuit, grounding reduces the risk of shock by providing an escape wire for the electric current. This air compressor must be properly grounded.

The air compressor is equipped with a cord having a grounding wire with an appropriate grounding plug. The plug must be used with an outlet that has been installed and grounded in accordance with all local codes and ordinances. The outlet must have the same configuration as the plug. See illustration. **DO NOT USE AN ADAPTER.**

Inspect the plug and cord before each use. Do not use if there are signs of damage.

⚠ DANGER

IMPROPER GROUNDING CAN RESULT IN ELECTRICAL SHOCK.

Do not modify the plug that has been provided. If it does not fit the available outlet, the correct outlet should be installed by a qualified electrician.

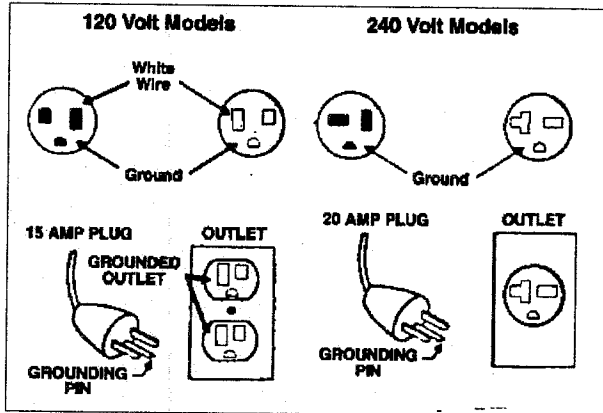
continued

INSTALLATION AND BREAK-IN PROCEDURES (cont'd)

GROUNDING INSTRUCTION (cont'd)

If repairing or replacing cord or plug, the grounding wire must be kept separate from the current-carrying wires. Never connect the grounding wire to a flat blade plug terminal. The grounding wire has insulation with an outer surface that is green - with or without yellow stripes.

If these grounding instructions are not completely understood, or if in doubt as to whether the compressor is properly grounded, have the installation checked by a qualified electrician.



Additional Regulators and Controls

Since the air tank pressure is usually greater than that which is needed, a separate regulator is usually employed to control the air pressure ahead of any individual air driven device.

Separate air transformers which combine the function of air regulation, moisture and dirt removal should be used where applicable.

OPERATING PROCEDURES

Daily Start-Up Checklist

1. Before attaching air hose or accessories, make sure the pressure switch lever is set to "OFF" and the air regulator or shut-off valve is closed.
2. Attach hose and accessories.

⚠ WARNING

TOO MUCH AIR PRESSURE CAUSES A HAZARDOUS RISK OF BURSTING. CHECK THE MANUFACTURER'S MAXIMUM PRESSURE RATING FOR AIR TOOLS AND ACCESSORIES. THE REGULATOR OUTLET PRESSURE MUST NEVER EXCEED THE MAXIMUM PRESSURE RATING.

3. Turn the pressure switch lever to "ON/AUTO" and allow tank pressure to build. Motor will stop when tank pressure reaches "cut-out" pressure.
4. Open the regulator by turning it clockwise. Adjust the regulator to the correct pressure setting. Your compressor is ready for use.
5. Always operate the air compressor in well-ventilated areas; free of gasoline or other solvent vapors. Do not operate the compressor near the spray area.

NOTE

It is not uncommon for the air tank to contain some water from the testing of the tank at the factory.

Break-in Procedures

⚠ CAUTION

Serious damage may result if the following break-in instructions are not closely followed.

This procedure is required:

1. Before the air compressor is put into service.
2. When the check valve is replaced.
3. When a complete compressor pump is replaced.
 - a. Set the pressure switch lever to the "OFF" position.
 - b. Plug the power cord into the correct branch circuit receptacle.
 - c. Turn the drain valve clockwise, opening it fully, to prevent air pressure build-up in the tank.
 - d. Move the pressure switch lever to "ON/AUTO". The compressor will start.
 - e. Run the compressor for 15 minutes. Make sure the drain valve is open and there is little tank pressure build-up.
 - f. After 15 minutes, close the drain valve by turning it completely counterclockwise. The air receiver will fill to cut-out pressure and the motor will stop. The compressor is now ready for use.

When you are finished:

6. Set the pressure switch lever to "OFF".
7. Using the air tool or accessory, bleed the tank pressure down to approximately 20 psi.
8. Remove the air tool or accessory.
9. Drain water from air tank by opening drain cock valve on bottom of tank.

⚠ WARNING

WATER WILL CONDENSE IN THE AIR TANK. IF NOT DRAINED, WATER WILL CORRODE AND WEAKEN THE AIR TANK CAUSING A RISK OF AIR TANK RUPTURE.

NOTE

If drain cock valve is plugged, release all air pressure. The valve can then be removed, cleaned, then reinstalled.

10. After the water has been drained, close the drain cock or drain valve. The air compressor can now be stored.

MAINTENANCE

⚠ WARNING

UNIT CYCLES AUTOMATICALLY WHEN POWER IS ON. WHEN DOING MAINTENANCE, YOU MAY BE EXPOSED TO VOLTAGE SOURCES, COMPRESSED AIR OR MOVING PARTS. PERSONAL INJURIES CAN OCCUR. BEFORE PERFORMING ANY MAINTENANCE OR REPAIR, UNPLUG THE COMPRESSOR AND BLEED OFF ALL AIR PRESSURE.

To ensure efficient operation and longer life of the air compressor outfit, a routine maintenance schedule should be prepared and followed. The following routine maintenance schedule is geared to an outfit in a normal working environment operating on a daily basis. If necessary, the schedule should be modified to suit the conditions under which your compressor is used. The modifications will depend upon the hours of operation and the working environment. Compressor outfits in an extremely dirty and/or hostile environment will require a greater frequency of all maintenance checks. Lubricate compressor motor (if required) according to manufacturer's instructions, which are attached to your motor.

ROUTINE MAINTENANCE SCHEDULE

Daily:

1. Drain water from the air tank, any moisture separators or transformers.
2. Check for any unusual noise and/or vibration.
3. Manually check all safety valves to make sure they are operating properly.
4. Inspect air filter, replace if necessary.
5. Inspect air lines and fittings for leaks; correct as necessary.

Each Year of Operation or if a Problem is Suspected:

Check condition of air compressor pump intake and exhaust valves.

Check condition of check valve. Replace if damaged or worn out.

SERVICE INSTRUCTIONS

Air Filter - Inspection and Replacement

Keep the air filter clean at all times. Do not operate the compressor with the air filter removed.

A dirty air filter will not allow the compressor to operate at full capacity. Before you use the compressor, check the air filter to be sure it is clean.

If it is dirty, simply pull it out and replace.

5. Unscrew the check valve (turn counterclockwise) using a socket wrench.
6. Check that the valve disc moves freely inside the check valve and that the spring holds the disc in the upper, closed position. The check valve may be cleaned with a strong solvent.
7. Apply sealant to the check valve threads. Reinstall the check valve (turn clockwise).
8. Replace the pressure release tube and fitting.
9. Replace the outlet tube and tighten top and bottom nuts.
10. Replace the shroud.

⚠ WARNING

Safety Valve - Inspection

IF THE SAFETY VALVE DOES NOT WORK PROPERLY, OVER-PRESSURIZATION MAY OCCUR, CAUSING AIR TANK RUPTURE OR AN EXPLOSION. OCCASIONALLY PULL THE RING ON THE SAFETY VALVE TO MAKE SURE THAT THE SAFETY VALVE OPERATES FREELY. IF THE VALVE IS STUCK OR DOES NOT OPERATE SMOOTHLY, IT MUST BE REPLACED WITH THE SAME TYPE OF VALVE.

Units With External Brass Check Valve Replacement

1. Release all air pressure from air tank and unplug outfit.
2. Remove shroud.
3. Loosen the top and bottom nut of the outlet tube and remove.
4. Remove the pressure release tube and fitting.

Motor

The motor has an automatic reset thermal overload protector. If the motor overheats for any reason, the overload protector will shut off the motor. The motor must be allowed to cool down before restarting. The compressor will automatically restart after the motor cools.

If the overload protector shuts the motor off frequently, check for a possible voltage problem. Low voltage can also be suspected when:

1. The motor does not get up to full power or speed.
2. Fuses blow out when starting the motor; lights dim and remain dim when motor is started and is running.

STORAGE

- Before you store the air compressor, make sure you do the following:
1. Review the "Maintenance" and "Operating Procedures" sections and perform maintenance as necessary. Be sure to drain water from the air tank.
 2. Protect the electrical cord and air hose from damage (such as being stepped on or run over).
Store the air compressor in a clean and dry location.

TROUBLESHOOTING GUIDE

▲ WARNING

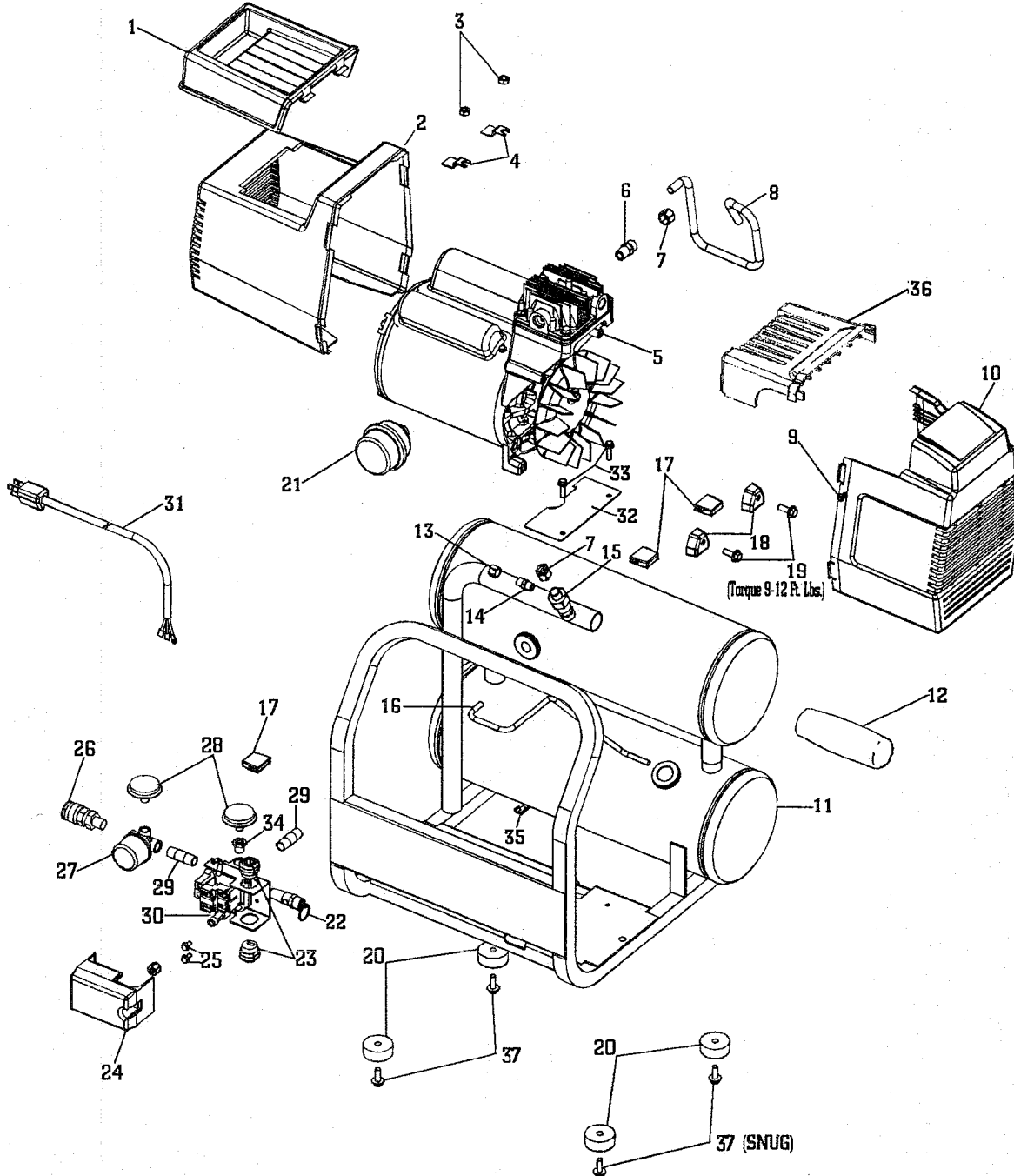
PERFORMING REPAIRS MAY EXPOSE VOLTAGE SOURCES, MOVING PARTS OR COMPRESSED AIR SOURCES. PERSONAL INJURY MAY OCCUR. PRIOR TO ATTEMPTING ANY REPAIRS, UNPLUG THE COMPRESSOR AND BLEED OFF TANK AIR PRESSURE.

| PROBLEM | CAUSE | CORRECTION |
|---|--|---|
| Excessive tank pressure - safety valve pops off. | Pressure switch does not shut off motor when compressor reaches "cut-out" pressure. Pressure switch "cut-out" too high. | Move the pressure switch lever to the "OFF" position. If the outfit doesn't shut off, unplug. If the electrical contacts are welded together, replace the pressure switch. If the contacts are good, check to see if the pin in the pressure release valve is stuck. If it does not move freely, replace the valve. Return the outfit to an authorized dealer to check and adjust, or replace switch. |
| Air leaks at fittings. | Tube fittings are not tight enough. | Tighten fittings where air can be heard escaping. Check fittings with soapy water solution. DO NOT OVER-TIGHTEN. |
| Air leaks at or inside check valve. | Defective or dirty check valve. | A defective check valve results in a constant air leak at the pressure release valve where there is pressure in the tank and the compressor is shut off. Remove and clean or replace check valve. DO NOT OVER-TIGHTEN. |
| Air leaks at pressure switch release valve. | Defective pressure switch release valve. Defective check valve. | Remove and replace the release valve. A defective check valve results in a constant air leak at the pressure release valve when there is pressure in the tank and the compressor is shut off. Remove and clean or replace check valve. DO NOT OVER-TIGHTEN. |
| Air leaks in air tank or at air tank welds. | Defective air tank. | Air tank must be replaced. Do not repair the leak. <div style="text-align: center;">▲ WARNING</div> DO NOT DRILL INTO, WELD OR OTHERWISE MODIFY AIR TANK OR IT WILL WEAKEN. THE TANK CAN RUPTURE OR EXPLODE. |
| Air leaks between head and valve plate. | Leaking gasket. | Torque head screws to 10 ft. lbs. If this does not stop leak, replace gasket. |
| Pressure reading on the regulated pressure gauge drops when an accessory is used. | It is normal for "some" pressure drop to occur. | If there is an excessive amount of pressure drop when the accessory is used, adjust the regulator following the instructions on page 6. <div style="text-align: center;">NOTE</div> Adjust the regulated pressure under flow conditions (while accessory is being used). |
| Air leak from safety valve. | Possible defect in safety valve. | Operate safety valve manually by pulling on ring. If valve still leaks, it should be replaced. |

TROUBLESHOOTING GUIDE (Continued)

| PROBLEM | CAUSE | CORRECTION |
|--|--|--|
| Knocking Noise | Defective check valve. | Remove and clean, or replace. |
| Compressor is not supplying enough air to operate accessories. | <p>Prolonged excessive use of air.</p> <p>Compressor is not large enough for air requirement.</p> <p>Restricted air intake filter.</p> <p>Hole in hose.</p> <p>Check valve restricted.</p> <p>Air leaks.</p> | <p>Decrease amount of air usage.</p> <p>Check the accessory air requirement. If it is higher than the SCFM or pressure supplied by your air compressor, you need a larger compressor.</p> <p>Clean or replace air intake filter. Do not operate the air compressor in the paint spray area.</p> <p>Check and replace if required.</p> <p>Remove and clean, or replace.</p> <p>Tighten fittings. (See Air Leaks Section of Troubleshooting Guide.)</p> |
| Motor will not run. | <p>Motor overload protection switch has tripped.</p> <p>Tank pressure exceeds pressure switch "cut-in" pressure.</p> <p>Wrong gauge wire or length of extension cord.</p> <p>Check valve stuck open.</p> <p>Loose electrical connections.</p> <p>Possible defective capacitor.</p> <p>Paint spray on internal motor parts.</p> <p>Possible defective motor.</p> <p>Fuse blown, circuit breaker tripped.</p> <p>Pressure release valve on pressure switch has not unloaded head pressure.</p> | <p>Let motor cool off and overload switch will automatically reset.</p> <p>Motor will start automatically when tank pressure drops below "cut-in" pressure of pressure switch.</p> <p>Check for proper gauge wire and cord length.</p> <p>Remove and clean, or replace.</p> <p>Check wiring connection inside pressure switch and terminal box area.</p> <p>Return to an Authorized Warranty Service Center for inspection or replacement, if necessary.</p> <p>Have checked at an Authorized Warranty Service Center. Do not operate the compressor in the paint spray area. See flammable vapor warning.</p> <p>Have checked at an Authorized Warranty Service Center.</p> <ol style="list-style-type: none"> 1. Check fuse box for blown fuse and replace, if necessary. Reset circuit breaker. Do not use a fuse or circuit breaker with higher rating than that specified for your particular branch circuit. 2. Check for proper fuse; only "Fusetron" type T fuses are acceptable. 3. Check for low voltage conditions and/or proper extension cord. 4. Disconnect the other electrical appliances from circuit or operate the compressor on its own branch circuit. <p>Bleed the line by pushing the lever on the pressure switch to the "off" position; if the valve does not open, replace it.</p> |
| Regulator knob has continuous air leak. Regulator will not shut off at air outlet. | Dirty or damaged regulator internal parts. | Replace regulator. |

AIR COMPRESSOR DIAGRAM

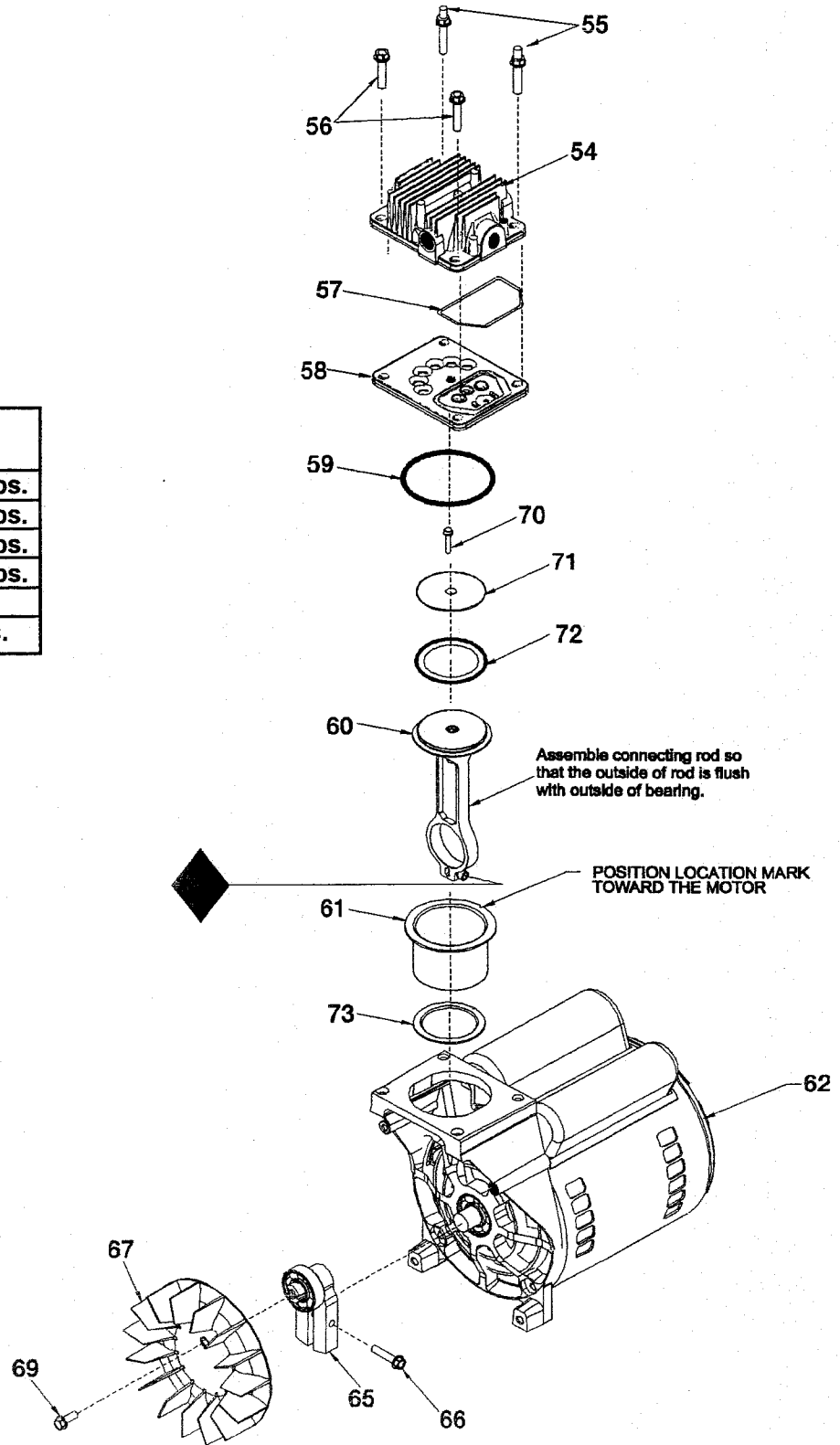


AIR COMPRESSOR PARTS LIST

| <u>KEY</u> | | |
|------------|--------------------|-----------------------------------|
| <u>NO.</u> | <u>PART NUMBER</u> | <u>DESCRIPTION</u> |
| 1 | CAC-1080 | Tool Tray |
| 2 | AC-0233 | Shroud Rear |
| 3 | SS-655-ZN | Hexnut ¼-2 Ounc (2 used) |
| 4 | CAC-1121 | Bracket Shroud (2 used) |
| 5 | AC-0234 | Pump Assembly |
| 6 | SSP-6050 | Connector Male ¼ NPT |
| 7 | SSP-7813 | Nut Sleeve Assembly 3/8" (2 used) |
| 8 | AC-0241-1 | Outlet Tube |
| 9 | SSF-3156 | Screw (2 used) |
| 10 | AC-0078 | Shroud Front |
| 11 | TA-4369 | Air Receiver |
| 12 | AC-0261 | Grip Handle |
| 13 | SSP-7811 | Nut Sleeve Assembly ¼" (2 used) |
| 14 | SS-8553 | Connector Body |
| 15 | CAC-4290-3 | Check Valve |
| 16 | AC-0240-1 | Pressure Relief Tube |
| 17 | ACG-19 | Isolator (3 used) |
| 18 | ACG-18 | Saddle Mount Cup (2 used) |
| 19 | 91895680 | Screw ¼ - 20 x .75 (2 used) |
| 20 | SST-5314-1 | Rubber Bumper (4 used) |
| 21 | AC-0253 | Solberg Filter 3/8 NPT |
| 22 | TIA-4150 | Safety Valve |
| 23 | SSW-7367 | Strain Relief Bushing (2 used) |
| 24 | CAC-1419 | Pressure Switch Cover |
| 25 | SSF-1001-1 | Screw 10-32 (2 used) |
| 26 | AC-0173 | Quick Connector |
| 27 | DAC-180 | Pressure Regulator |
| 28 | AC-0266 | Gauge (200 PSI) 1/8" (2 used) |
| 29 | SSP-513 | Nipple ¼ x ¼ x 1.5 (2 used) |
| 30 | AC-0404 | Manifold Switch |
| 31 | SUDL-403-1 | Power Cord Assembly |
| 32 | AC-0155 | Plate |
| 33 | SSN-8001 | Nylon Fastener (2 used) |
| 34 | SSP-6021 | Bushing Reducer |
| 35 | AC-0430 | Drain Valve |
| 36 | AC-0403 | Head Cover |
| 37 | SSF-607 | Screw (4 used) |

AIR COMPRESSOR PUMP DIAGRAM

| KEY NO. | TORQUE |
|---------|---------------------|
| 55 | 100 to 120 In. Lbs. |
| 56 | 100 to 120 In. Lbs. |
| 66 | 100 to 120 In. Lbs. |
| 69 | 100 to 120 In. Lbs. |
| 70 | 50 to 60 In. Lbs. |
| ◆ | 42 to 48 In. Lbs. |



AIR COMPRESSOR PUMP PARTS LIST

| <u>KEY</u> <u>NO.</u> | <u>PART NUMBER</u> | <u>DESCRIPTION</u> |
|--------------------------|--------------------|--|
| 54 | AC-0236 | Head |
| 55 | SSF-589 | Stud 1/4"-20 x 1 1/4" (2 used) |
| 56 | SSF-927 | Screw 1/4-20 x 1 1/4" (2 used) |
| *✓ 57 | ACG-45 | O-Ring |
| 58 | AC-0032 | Valve plate assembly (includes valves, restrictors & screws) |
| *✓ 59 | SSG-8156 | O-ring |
| * 60 | --- | Connecting rod assembly |
| *✓ 61 | --- | Cylinder sleeve (position locating mark toward motor) |
| 62 | MO-9045 | Motor |
| 65 | AC-0140 | Eccentric Flywheel Bearing Assy. |
| 66 | SSF-615 | Screw 1/4-20 unc-2A |
| 67 | AC-0108 | Fan |
| 69 | SSF-586 | Screw 1/4-20 unc x .75 |
| *✓ 70 | SSF-3158-1 | Screw 10-24 X .75 T25 Torx |
| * 71 | --- | Connecting Rod Cap |
| *✓ 72 | --- | Compression Ring |
| 73 | DAC-161 | Shim |

NOT ILLUSTRATED

| | |
|---------|------------------------|
| KK-4315 | Pressure Relief Valve |
| AC-0281 | Air Filter Replacement |

- * Keys 57, 59, 60, 61, 70, 71, and 72 are purchased as part of KK-4835 piston/cylinder kit.
- ✓ Keys 57, 59, 61, 70 and 72 can be purchased as part of K-0058 cylinder sleeve/compression ring kit.

SERVICE NOTES

OWNERS MANUAL FOR

Permanently Lubricated Air Compressor

MAC2200

MAKITA LIMITED ONE YEAR WARRANTY

Warranty Policy

Every Makita tool is thoroughly inspected and tested before leaving the factory. It is warranted to be free of defects from workmanship and materials for the period of ONE YEAR from the date of original purchase. Should any trouble develop during this one-year period, return the COMPLETE tool, freight prepaid, to one of Makita's Factory or Authorized Service Centers. If inspection shows the trouble is caused by defective workmanship or material, Makita will repair (or, at our option, replace) without charge.

This warranty does not apply where:

- repairs have been made or attempted by others
- repairs are required because of normal wear and tear
- the tool has been abused, misused or improperly maintained
- alterations have been made to the tool

In no event shall Makita be liable for any indirect, incidental or consequential damages from the sale or use of the product. This disclaimer applies both during and after the term of warranty.

Makita disclaims liability for any implied warranties, including implied warranties of "merchantability" and "fitness for a specific purpose," after the one-year term of this warranty.

This warranty gives you specific legal rights, and you may also have other rights which vary from state to state. Some states do not allow the exclusion or limitation of incidental or consequential damages, so the above limitation or exclusion may not apply to you. Some states do not allow limitation on how long an implied warranty lasts, so the above limitation may not apply to you.



MANUAL DEL OPERADOR PARA COMPRESOR DE AIRE DE LUBRICACIÓN PERMANENTE

MODELO NO.
MAC2200

TABLA DE ESPECIFICACIONES

| Modelo No | MAC2200 |
|-------------------------|-------------------|
| Potencia | 2 HP |
| Desplazamiento CFM | 11.9 |
| SCFM @ 40 psig | 8.3 |
| SCFM @ 90 psig | 6.1 |
| Presión de arranque | 100 PSI |
| Presión de corte | 125 PSI |
| Orificio | 2 3/8" |
| Carrera del pistón | 1.35" |
| Voltaje monofásico | 120 |
| * Tipo de fusible | "Fusetron" Tipo T |
| Amperaje a máx. Presión | 15 Amps. |
| Tamaño de tanque | 4 Galones |
| Aprobado pour UL y CUL | |

Requerimiento Mínimo de Circuito 15 Amps

* Es preferible un interruptor de circuito. Usar sólo un fusible o interruptor de circuito del mismo amperaje que el circuito en el cual está operando el compresor de aire. Si el compresor de aire está conectado a un circuito protegido por fusibles, usar sólo fusibles de retardo.

NOTA:

Para identificar los repuestos, ver la página 11 en este manual.

IMPORTANTE

Leer las pautas de seguridad y todas las instrucciones cuidadosamente antes de operar.

TABLA DE CONTENIDOS

| | Página | | Página |
|--|--------|---|---------------|
| PAUTAS DE SEGURIDAD | 2 | PROCEDIMIENTOS PARA OPERAR | 7 |
| TABLA DE ADVERTENCIAS | 3-4 | Inspecciones Diarias para Arrancar | 7 |
| GLOSARIO | 5 | MANTENIMIENTO | 8 |
| CICLO DE TRABAJO | 5 | Filtro de Aire - Inspección y Reemplazo | 8 |
| INFORMACIÓN GENERAL | 5 | Válvula de Seguridad - Inspección | 8 |
| INSPECCIÓN AL RECIBIR | 5 | Reemplazo de la Válvula de Chequeo | 8 |
| DESCRIPCIÓN DE LA OPERACIÓN | 5 | Motor | 8 |
| INSTALACIÓN Y PROCEDIMIENTOS PARA EL | | ALMACENAJE | 9 |
| ASENTAMIENTO | 6-7 | GUÍA PARA DETECCIÓN DE PROBLEMAS | 9-10 |
| Ubicación del Compresor de Aire | 6 | DIAGRAMA DEL COMPRESOR DE AIRE | 11 |
| Aceite y Lubricación | 6 | LISTA DE PARTES DEL COMPRESOR DE AIRE | 12 |
| Cordones de Extensión | 6 | DIAGRAMA DE LA BOMBA DEL | |
| Tuberías | 6 | COMPRESOR DE AIRE | 13 |
| Instrucciones para Conexión a Tierra | 6-7 | LISTA DE PARTES DE LA BOMBA DEL | |
| Reguladores y Controles Adicionales | 7 | COMPRESOR DE AIRE | 14 |
| Procedimiento para el Asentamiento | 7 | COMPROMISO DE GARANTÍA | Última Página |

PAUTAS DE SEGURIDAD - DEFINICIONES

| | | |
|---|---|---|
| <p>Este manual contiene información que es importante que usted sepa y entienda. Esta información se relaciona con la protección de SU SEGURIDAD y la PREVENCIÓN DE PROBLEMAS AL EQUIPO. Para ayudarle a entender esta información usamos los siguientes símbolos. Por favor leer este manual y prestar atención a estas secciones.</p> | <div style="border: 1px solid black; display: inline-block; padding: 2px 5px;"> ▲ PELIGRO </div> | <div style="border: 1px solid black; display: inline-block; padding: 2px 5px;"> ▲ CUIDADO </div> |
| | <p>INFORMACIÓN DE SEGURIDAD URGENTE - UN RIESGO QUE PUEDE CAUSAR DAÑOS PERSONALES SERIOS O LA PÉRDIDA DE VIDA.</p> | <p>Información para evitar daños al equipo</p> |
| | <div style="border: 1px solid black; display: inline-block; padding: 2px 5px;"> ▲ ADVERTENCIA </div> | <div style="border: 1px solid black; display: inline-block; padding: 2px 5px;"> ▲ NOTA </div> |
| | <p>INFORMACIÓN DE SEGURIDAD IMPORTANTE - UN RIESGO QUE PUEDE CAUSAR DAÑOS PERSONALES SERIOS O LA PÉRDIDA DE VIDA.</p> | <p>Información a la que se debe prestar atención especial.</p> |

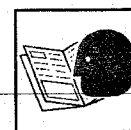
INSTRUCCIONES IMPORTANTES DE SEGURIDAD




• CONSERVAR ESTAS INSTRUCCIONES •

⚠ ADVERTENCIA



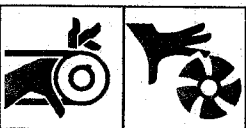



LA OPERACIÓN INAPROPIADA DE ESTE PRODUCTO PUEDE CAUSAR LESIONES SERIAS Y DAÑOS A LA PROPIEDAD. LEER Y ENTENDER TODAS LAS ADVERTENCIAS DE SEGURIDAD E INSTRUCCIONES DE OPERACIÓN ANTES DE USAR ESTA UNIDAD.



| RIESGO | QUE PUEDE SUCEDER | COMO EVITARLO |
|--|---|--|
| <p>⚠ ADVERTENCIA</p> <p>RIESGO DE EXPLOSIÓN</p>  | <p><i>Tanque de Aire</i></p> <ul style="list-style-type: none"> • <u>LAS SIGUIENTES CONDICIONES PODRÍAN conducir al debilitamiento del tanque DANDO COMO RESULTADO UNA VIOLENTA EXPLOSIÓN DEL TANQUE:</u> <ol style="list-style-type: none"> 1. <u>OMITIR DRENAR APROPIADAMENTE EL AGUA</u> condensada que oxidará el tanque de acero, debilitándolo y adelgazando sus paredes. 2. <u>MODIFICACIONES</u> o intentos de reparar <u>EL TANQUE</u>. 3. <u>MODIFICACIONES</u> no autorizadas <u>AL CONTROL DE PRESIÓN, VÁLVULA DE SEGURIDAD O</u> a cualquier <u>OTRO COMPONENTE QUE CONTROLE LA PRESIÓN</u> del tanque. • <i>Aditamentos y Accesorios</i> <ul style="list-style-type: none"> • <u>EXCEDER LA CAPACIDAD DE PRESIÓN DE LAS HERRAMIENTAS NEUMÁTICAS</u>, pistolas rociadoras, accesorios para aire, neumáticos/llantas, Y otros <u>ARTÍCULOS INFLABLES PUEDEN HACERLOS EXPLOTAR</u> o salir disparados causando lesiones y daños serios | <ul style="list-style-type: none"> • <u>DRENAR EL TANQUE DIARIAMENTE O DESPUÉS DE CADA USO</u>. Si se le produce una fuga al tanque, reemplazarlo inmediatamente por otro tanque nuevo o un compresor nuevo. • <u>NUNCA</u> taladrar, soldar <u>NI HACER MODIFICACIÓN ALGUNA AL TANQUE</u> ni a sus aditamentos. Nunca intentar reparar un tanque dañado o con fugas. Reemplazarlo con un tanque nuevo. • El tanque está diseñado para resistir las presiones de trabajo especificadas. <u>NUNCA SUBSTITUIR PARTES NI ALTERAR LAS REGULACIONES NI PRESIONES de trabajo PREFIJADOS EN FÁBRICA</u>. • <u>PARA UN CONTROL esencial DE LA PRESIÓN DE AIRE</u>, el cliente debe <u>INSTALAR UN REGULADOR DE PRESIÓN Y UN MEDIDOR DE PRESIÓN REGULADA DE AIRE</u> en la salida de aire del compresor. • Siempre observar las recomendaciones del fabricante del equipo y nunca exceder la presión máxima especificada para un aditamento. <u>NUNCA USAR EL COMPRESOR PARA INFLAR OBJETOS PEQUEÑOS DE BAJA PRESIÓN TALES COMO JUGUETES DE NIÑOS, PELOTAS DE FÚTBOL, BALONCESTO, ETC.</u> |
| <p>⚠ ADVERTENCIA</p> <p>RIESGO DE CHOQUE ELÉCTRICO</p>  | <ul style="list-style-type: none"> • El COMPRESOR DE AIRE opera con electricidad. Como cualquier otro dispositivo eléctrico, <u>PUEDE CAUSAR CHOQUE ELÉCTRICO SI NO SE USA ADECUADAMENTE</u>. • <u>CONEXIÓN A TIERRA: EL NO HACER ADECUADAMENTE LA CONEXIÓN A TIERRA DEL PRODUCTO, PUEDE RESULTAR EN LESIONES SERIAS O MUERTE DEBIDO A ELECTROCUCIÓN, VER LAS INSTRUCCIONES DE CONEXIÓN A TIERRA APLICABLES.</u> | <ul style="list-style-type: none"> • <u>TODO CABLEADO O REPARACIÓN</u> que esta unidad requiera <u>DEBE REALIZARLA UN PERSONAL CALIFICADO DE SERVICIO O un ELECTRICISTA LICENCIADO</u>, acatando los códigos eléctricos nacional y local. • <u>ASEGURARSE</u> que el <u>CIRCUITO ELÉCTRICO</u> al cual está conectado el compresor, <u>ESTÉ CONECTADO A TIERRA EN FORMA APROPIADA Y PROVEA EL VOLTAJE CORRECTO Y TENGA PROTECCIÓN ADECUADA MEDIANTE FUSIBLES</u>. • Nunca operar el compresor en el exterior cuando esté lloviendo. |
| <p>⚠ ADVERTENCIA</p> <p>RIESGO DE INCENDIO O EXPLOSIÓN</p>  | <ul style="list-style-type: none"> • Es normal que el motor y el <u>INTERRUPTOR DE PRESIÓN</u> emitan chispas <u>CUANDO EL COMPRESOR ARRANQUE Y PARE</u>. | <ul style="list-style-type: none"> • Siempre <u>OPERAR</u> el <u>COMPRESOR DE AIRE EN ÁREAS</u> bien ventiladas, <u>SIN VAPORES DE GASOLINA NI DE OTROS SOLVENTES</u>. • Si se rocían materiales inflamables, <u>COLOCAR EL COMPRESOR</u> por lo menos a <u>6m (20') DE ÁREA DE PULVERIZACIÓN</u>. • <u>GUARDAR LAS SUBSTANCIAS INFLAMABLES</u> en un lugar seguro <u>LEJOS DEL COMPRESOR</u>. |

INSTRUCCIONES IMPORTANTES DE SEGURIDAD (Cont.)

| RIESGO | QUE PUEDE SUCEDER | COMO EVITARLO |
|---|--|--|
| <p>⚠ ADVERTENCIA</p> <p>RIESGO A LA RESPIRACIÓN</p>  | <ul style="list-style-type: none"> • El <u>AIRE COMPRIMIDO</u> producido por la unidad NO ES SEGURO PARA RESPIRAR! El chorro de aire puede contener monóxido de carbono, otros vapores tóxicos, partículas provenientes del tanque u otros componentes. • <u>LAS SUBSTANCIAS PULVERIZADAS</u> tales como pinturas, solventes de pintura, removedores de pintura, insecticidas, herbicidas, etc., <u>CONTIENEN VAPORES DAÑINOS y VENENOSOS.</u> | <ul style="list-style-type: none"> • <u>NUNCA INHALAR EL AIRE PROVENIENTE DEL COMPRESOR</u>, ya sea directamente o a través de un dispositivo para respirar conectado al compresor. <u>TRABAJAR EN UN ÁREA BIEN VENTILADA.</u> • Leer y <u>SEGUIR LAS INSTRUCCIONES DE SEGURIDAD</u> provistas en las etiquetas y hojas de datos de seguridad <u>DEL MATERIAL QUE SE ESTÁ PULVERIZANDO.</u> <u>USAR UN RESPIRADOR APROBADO POR NIOSH/MSHA</u> y diseñado para la <u>APLICACIÓN</u> específica. |
| <p>⚠ ADVERTENCIA</p> <p>RIESGO DE OBJETOS PROPULSADOS</p>  | <ul style="list-style-type: none"> • El <u>CHORRO DE AIRE COMPRIMIDO</u> puede dañar el tejido humano blando y puede <u>IMPULSAR</u> tierra, <u>PARTÍCULAS</u> sueltas y objetos pequeños a velocidades altas, causando daños materiales o personales. | <ul style="list-style-type: none"> • Al usar el compresor, <u>SIEMPRE USAR GAFAS DE SEGURIDAD</u> con protectores laterales que <u>CUMPLAN CON LA NORMA ANSI Z87.1.</u> • <u>NUNCA APUNTAR</u> la boquilla o el <u>ROCIADOR</u> hacia partes del cuerpo, <u>HACIA OTRAS PERSONAS</u> o animales. • Siempre <u>APAGAR</u> el <u>COMPRESOR Y ALIVIAR LA PRESIÓN</u> de la línea de aire <u>ANTES</u> de intentar darle mantenimiento o <u>CONECTAR HERRAMIENTAS</u> o accesorios. |
| <p>⚠ ADVERTENCIA</p> <p>RIESGO DE PIEZAS MOVIBLES</p>  | <ul style="list-style-type: none"> • <u>EL COMPRESOR DE AIRE ENTRA EN FUNCIONAMIENTO AUTOMÁTICAMENTE CUANDO EL INTERRUPTOR DE PRESIÓN ESTÁ EN LA POSICIÓN DE ON/AUTO (PRENDIDO/AUTOMÁTICO)!</u> Intentar reparar o hacer mantenimiento cuando el compresor está en operación o con el interruptor de presión en la posición de ON/AUTO, puede exponerlo a las piezas móviles. Estas <u>PIEZAS MOVIBLES PUEDEN CAUSAR SERIOS DAÑOS PERSONALES</u> si entran en contacto con usted o su ropa. | <ul style="list-style-type: none"> • Siempre <u>DESCONECTAR</u> la <u>UNIDAD Y ALIVIAR LA PRESIÓN DEL TANQUE</u> y de cualquier accesorio <u>ANTES DE HACER REPARACIONES O MANTENIMIENTO.</u> • <u>NUNCA OPERAR</u> el <u>COMPRESOR SIN LOS COBERTORES</u> de la correa o cuando los cobertores están dañados. |
| <p>⚠ ADVERTENCIA</p> <p>RIESGO QUEMADURAS</p>  | <ul style="list-style-type: none"> • El contacto con <u>PIEZAS CALIENTES</u> tales como el cabezal del compresor o los tubos de salida <u>PUEDEN CAUSAR UNA QUEMADURA SERIA EN LA PIEL.</u> | <ul style="list-style-type: none"> • <u>NUNCA TOCAR LOS COMPONENTES CALIENTES</u> durante o inmediatamente después de la operación del compresor. Nunca introducir las manos por detrás de las cubiertas protectoras ni intentar darle mantenimiento al compresor hasta que se halla enfriado. |

GLOSARIO

CFM: Pies cúbicos por minuto.

SCFM: Pies cúbicos estándar por minuto; una unidad de medida del aire producido.

PSIG: Libras por pulgada cuadrada leídas en el manómetro, una unidad de medida de presión.

ASME: American Society of Mechanical Engineers (Sociedad Americana de Ingenieros Mecánicos); hecho, probado, inspeccionado y registrado para cumplir con los estándares de ASME.

Código de California: La unidad cumple con el Código 462 (L) (2)/ (M) (2) de California. En unidades que cumplen con el Código de California, el rótulo de especificaciones/modelo se encuentra en el costado del tanque.

PRESIÓN DE ARRANQUE: Cuando el motor está apagado, la presión de aire va disminuyendo conforme usted continúa usando el accesorio.

Cuando la presión del tanque cae a cierto bajo nivel, el motor arranca automáticamente*. Esa baja presión a la cual el motor arranca automáticamente, se llama "presión de arranque"

PRESIÓN DE CORTE: Cuando usted arranca el compresor de aire y empieza a funcionar, el aire dentro del tanque comienza a acumularse hasta cierto nivel de presión a la cual el motor se apaga automáticamente para proteger su tanque de aire de presiones que exceden su capacidad. La presión a la cual el motor se apaga se llama "presión de corte".

Registrado por UL: Este producto está registrado por Underwriters Laboratories, Inc. (UL). Muestras de este producto han sido evaluadas por UL y cumplen con los Estándares aplicables de Seguridad de UL.

* *Ver la tabla de especificaciones en la primera página.*

CICLO DE TRABAJO

Ningún compresor de aire fabricado por Makita debe operarse a más de 50% del ciclo de trabajo. Esto significa que un compresor de aire que bombea aire durante más del 50% de una hora se considera que está siendo mal usado porque el compresor de aire está subdimensionado para la demanda. El tiempo máximo de bombeo de un compresor en una hora es 30 minutos.

INFORMACIÓN GENERAL

Este compresor de aire no requiere aceite. Ahora usted puede gozar de todos los beneficios que le brinda tener un compresor de aire sin tener que comprar, agregar o cambiar aceite.

El compresor de aire puede usarse para operar pistolas pulverizadoras de pintura, herramientas neumáticas, pistolas aplicadoras de masilla, pistolas aplicadoras de grasa, sopletes de aire para limpiar, sopletes de arena, inflar llantas o neumáticos y juguetes de plástico, rociar herbicidas, insecticidas, etc. Se requiere un regulador de aire para la mayoría de las aplicaciones.

Cuando fuese necesario, se debe usar un transformador de aire independiente que combine las funciones de regulación de aire y/o eliminación de humedad y suciedad.

INSPECCIÓN AL RECIBIR

DAÑOS: Cada equipo compresor de aire es cuidadosamente inspeccionado antes de su embarque. El manipuleo inadecuado durante el transporte puede causar daños y problemas durante la operación.

Inmediatamente después de recibir el equipo, inspeccionarlo para detectar daños visibles y ocultos evitando así incurrir en gastos para corregir los problemas. Ésto debe hacerse al margen de que el contenedor tenga o no daños visibles. Reportar cualquier daño al transportista y arreglar para inspeccionar los productos de inmediato.

DESCRIPCIÓN DE LA OPERACIÓN

Válvula de Drenaje: La válvula de drenaje está ubicada en la base del tanque de aire y se usa después de cada aplicación para drenar la condensación.

Protector Térmico de Sobrecarga del Motor: El motor eléctrico tiene un protector térmico de sobrecarga con reposición automática. Si el motor se recalienta por cualquier razón, el protector térmico apaga el motor. Debe permitirse que el motor se enfríe antes de volverlo a arrancar.

Interruptor "ON/Auto-OFF": Colocar este interruptor en la posición de "ON" para activar el interruptor de presión, y en "OFF" para quitarle la energía.

Filtro de Entrada de Aire: Este filtro está diseñado para limpiar el aire que entra a la bomba. Este filtro siempre debe estar limpio y libre de obstrucciones. Ver "Mantenimiento".

Bomba del Compresor de Aire: Para comprimir aire, el pistón se mueve de arriba a abajo en el cilindro. En la carrera hacia abajo, el aire ingresa por las válvulas de admisión. La válvula de salida permanece cerrada. Cuando el pistón corre hacia arriba, el aire se comprime. Las válvulas de admisión se cierran y el aire comprimido es forzado a salir por las válvulas de salida a través del tubo de salida por la válvula de chequeo hacia el tanque de aire. El aire no está disponible para trabajar hasta que el compresor eleve la presión en el tanque por encima de lo requerido en el punto de salida de aire.

Válvula de Chequeo: Cuando el compresor de aire está operando, la válvula está abierta, permitiendo que el aire comprimido entre al tanque. Cuando el compresor de aire llegue a la "presión de corte", la válvula de chequeo se "cierra", haciendo que el aire permanezca dentro del tanque de aire.

Cont. 

DESCRIPCIÓN DE LA OPERACIÓN (Cont.)

Válvula de Alivio de Presión: La válvula de alivio de presión que se encuentra al lado del interruptor de presión, está diseñada para dejar escapar aire comprimido del cabezal del compresor automáticamente y del tubo de salida cuando el compresor de aire alcance la presión de "corte" o se apague. Si el aire no sale, el motor tratará de arrancar pero sin lograrlo. La válvula de alivio de presión le permite al motor volver a arrancar libremente. Cuando el motor deja de funcionar, se escucha escapar aire de la válvula por algunos segundos. No deben escucharse fugas de aire cuando el motor esté funcionando ni que continúe escapando aire después que la unidad haya alcanzado la presión de corte.

Interruptor de Presión: El interruptor de presión arranca el motor automáticamente cuando la presión cae por debajo del nivel de presión de "arranque" fijado en la fábrica. También apaga el motor cuando la presión del tanque de aire alcanza el nivel de "corte" fijado en la fábrica.

Válvula de Seguridad: Si el interruptor de presión no apaga el compresor de aire en la presión de corte prefijada, la válvula de seguridad protegerá el tanque contra la alta presión activándose a la presión prefijada en fábrica (ligeramente más alta que la presión de corte fijada).

Medidor de Presión de Salida: El regulador de presión indica la presión en la salida del regulador. Esta presión la controla el regulador y siempre es menor o igual a la presión del tanque. Ver los "Procedimientos de Operación".

Medidor de Presión del Tanque: El medidor de presión del tanque indica la presión dentro del tanque de reserva.

Regulador: La presión de aire proveniente del tanque de aire está controlada por la perilla del regulador. Girar la perilla en el sentido del reloj para aumentar la presión y contra el sentido del reloj para reducir la presión. Para evitar reajustes menores después de hacer cambios en la presión fijada, siempre llegar a una presión superior a la deseada desde un nivel inferior de presión. Cuando se reduce la presión, siempre bajarla más abajo del nivel deseado y luego subirla hasta el nivel que se desee. Dependiendo del requerimiento de presión de cada accesorio en particular, la presión de salida deberá ajustarse mientras se opera el accesorio.

INSTALACIÓN Y PROCEDIMIENTOS PARA EL ASENTAMIENTO

Ubicación del Compresor de Aire

Ubicar el compresor de aire en un área limpia, seca y bien ventilada. El filtro de aire debe mantenerse libre de obstrucciones que puedan reducir el suministro de aire por el compresor. El compresor de aire debe ubicarse por lo menos a 12" de la pared o de cualquier obstrucción que pueda interferir con el flujo de aire. El cabezal y la cubierta del compresor de aire están diseñados para permitir el enfriamiento apropiado. Si la humedad fuese alta, se puede instalar un filtro de aire en el adaptador de salida de aire para retirar el exceso de humedad. Para una instalación adecuada, seguir cuidadosamente las instrucciones provistas con el filtro de aire.

Aceite y Lubricación

Esta unidad no necesita aceite ni lubricación.

Cordones de Extensión

Para evitar la caída de voltaje, pérdida de potencia del motor y el sobre calentamiento, usar una manguera más larga en vez de cordón de extensión. Un voltaje bajo puede causar daño al motor. Si se *hace necesario* usar un cordón de extensión:

- Utilizar sólo cordones de extensión de 3 alambres y enchufe con espiga para conexión a tierra y un tomacorriente que acepte el enchufe del compresor de aire.
- Asegurarse que el cordón de extensión esté en buenas condiciones.
- El cordón de extensión no debe tener más de 50 pies de largo.
- El cable más delgado es calibre 12 (AWG). (El grosor del cable es mayor cuanto menor sea su número, también pueden usarse cordones de calibre 10 AWG y 8 AWG. **NO USAR CORDONES DE CALIBRE 14 NI 16 AWG.**)

Tuberías

⚠ ADVERTENCIA

Los tubos de plástico o PVC no están diseñados para usarse con aire comprimido. A pesar que las especificaciones de presión sean las adecuadas, los tubos de plástico pueden reventar con la presión del aire. Usar únicamente tubos de metal o líneas para distribución de aire.

Tuberías (Cont.)

Si fuese necesaria una tubería, usar un tubo que sea del mismo diámetro que la salida del tanque de aire. Los tubos de menor diámetro restringirán el flujo de aire. Si la tubería es de más de 100 pies de largo, usar la del siguiente diámetro más grande. Para instalación subterránea, enterrar las líneas por debajo del nivel de congelamiento y evitar vacíos donde la condensación pueda acumularse y congelarse. Aplicarle presión a las líneas subterráneas antes de taparlas para asegurarse que las uniones no tengan fugas.

INSTRUCCIONES PARA CONECTAR A TIERRA

⚠ ADVERTENCIA

¡RIESGO DE CHOQUE ELÉCTRICO! En caso de cortocircuito, la conexión a tierra reduce el riesgo de choque eléctrico provyendo a la corriente de un cable de escape. Este compresor de aire debe conectarse a tierra apropiadamente.

El compresor de aire portátil está equipado con un cordón que tiene un alambre para conectar a tierra y un enchufe adecuado para tierra. El enchufe debe conectarse a un tomacorriente instalado a tierra de acuerdo con los códigos y ordenanzas locales. El tomacorriente debe tener la misma configuración que el enchufe. Ver la ilustración. **NO USAR ADAPTADORES.**

Inspeccionar el cordón y el enchufe antes de cada uso. No usarlo si muestra señas de estar dañado.

⚠ PELIGRO

LA CONEXIÓN INADECUADA A TIERRA PUEDE RESULTAR EN CHOQUE ELÉCTRICO

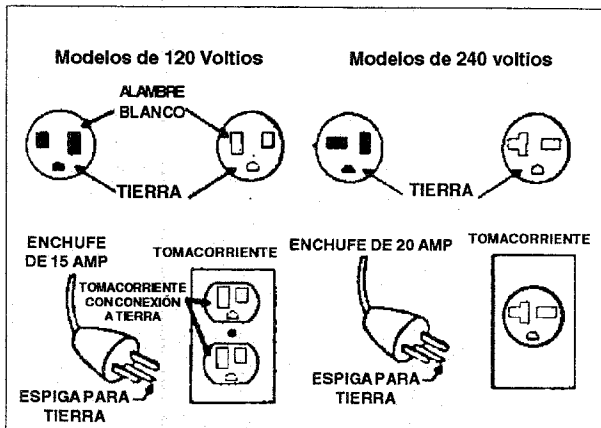
No modificar el enchufe que se ha provisto. Si no encaja en el tomacorriente, un electricista calificado debe instalar un tomacorriente adecuado.

INSTALACIÓN Y PROCEDIMIENTOS PARA EL ASENTAMIENTO

INSTRUCCIONES PARA CONECTAR A TIERRA (Cont.)

Si se va a reparar o reemplazar el cordón o enchufe, el alambre para tierra debe mantenerse separado de los alambres conductores de corriente. Nunca conectar el alambre para tierra a una espiga plana del enchufe. El alambre para tierra tiene aislamiento de color verde que puede tener franjas amarillas.

Si no se entienden estas instrucciones completamente, o si se tienen dudas en cuanto a que el compresor esté conectado a tierra apropiadamente, hacer verificar la instalación por un electricista calificado.



Controles y Reguladores Adicionales

Debido a que la presión en el tanque de aire normalmente es mayor a la que se necesita, usualmente se usa un regulador separado para controlar la presión de aire antes de la entrada al dispositivo o herramienta que se conecte.

Donde el caso lo requiera, se debe utilizar un transformador que combine la función de regulador de aire, y removedor de humedad y suciedad.

PROCEDIMIENTOS PARA OPERAR

Inspecciones Diarias para el Arranque

1. Antes de conectar la manguera neumática o accesorios, asegurarse que la palanquita del interruptor de presión esté en «OFF» (APAGADO) y que el regulador de aire o válvula de corte esté cerrada.
2. Conectar la manguera y los accesorios.

⚠ ADVERTENCIA

EL EXCESO DE PRESIÓN DE AIRE GENERA RIESGOS DE EXPLOSIÓN. VERIFICAR LAS ESPECIFICACIONES DE PRESIÓN MÁXIMA PARA LAS HERRAMIENTAS Y ACCESORIOS. EL REGULADOR DE LA PRESIÓN DE SALIDA NUNCA DEBE EXCEDER LA CAPACIDAD MÁXIMA ESTIPULADA.

3. Colocar la palanquita del interruptor de presión en «ON/AUTO» y dejar que la presión del tanque aumente. El motor se detendrá cuando la presión llegue al nivel de corte.
4. Abrir el regulador girándolo en el sentido del reloj. Ajustar el regulador a la presión correcta. El compresor está listo para usarse.
5. Siempre operar el compresor de aire en áreas bien ventiladas, libres de vapores de gasolina y de otros solventes. No operar el compresor cerca del área de pulverizado.

NOTA

Es común que el tanque de aire contenga un poco de agua de las pruebas realizadas en fábrica.

Procedimientos para el Asentamiento

⚠ CUIDADO

Si no se observan las instrucciones para el asentamiento abajo indicadas, se pueden causar serios daños.

Se debe seguir este procedimiento:

1. Antes de poner el compresor en servicio.
2. Al cambiar la válvula de chequeo.
3. Al reemplazar toda la bomba del compresor.
 - a. Fijar la palanquita del interruptor de presión en la posición de «OFF» (Apagado).
 - b. Conectar el cordón de extensión en el tomacorriente adecuado.
 - c. Girar el válvula de drenaje en el sentido del reloj abriéndolo completamente para evitar que se acumule presión de aire dentro del tanque.
 - d. Mover la palanquita del interruptor de presión a «ON/AUTO». El compresor arrancará.
 - e. Hacer funcionar el compresor por 15 minutos. Asegurarse que el válvula de drenaje esté abierto y que no haya acumulación de presión en el tanque.
 - f. Después de 15 minutos, cerrar el válvula de drenaje girando la perilla contra el sentido del reloj. El aire se llenará hasta que alcance la presión de corte y el motor se apagará. Ahora el compresor está listo para usar.

Al Terminar:

6. Mover la palanquita del interruptor de presión a «OFF».
7. Usando la herramienta neumática o accesorio, drenar el aire del tanque hasta que la presión caiga a aproximadamente 20 PSI.
8. Retirar la herramienta neumática o accesorio.
9. Abrir la válvula de drenaje en la parte inferior del tanque para eliminar toda la humedad del tanque.

⚠ ADVERTENCIA

EL AGUA DEL AIRE SE CONDENSARÁ DENTRO DEL TANQUE DE AIRE Y SI NO SE DRENA, EL AGUA CORROERÁ Y DEBILITARÁ EL TANQUE DE AIRE CAUSANDO UN RIESGO DE RUPTURA.

NOTA

Si la válvula de drenaje se obstruye, soltar toda la presión de aire. Luego se puede desmontar la válvula, limpiarla y volverla a instalar.

10. Después de drenar el agua, cerrar la válvula de drenaje. Ahora se puede guardar el compresor.

MANTENIMIENTO

⚠ ADVERTENCIA

LA UNIDAD ENTRA EN FUNCIONAMIENTO AUTOMÁTICAMENTE CUANDO ESTÁ ACTIVADA EN "ON". AL HACERLE MANTENIMIENTO USTED PUEDE QUEDAR EXPUESTO A LAS FUENTES DE VOLTAJE, PARTES MOVIBLES O AIRE COMPRIMIDO. PUEDEN OCURRIR DAÑOS PERSONALES. ANTES DE INTENTAR HACER REPARACIONES O CUALQUIER TIPO DE MANTENIMIENTO, DESCONECTAR EL COMPRESOR Y ALIVIAR TODA LA PRESIÓN DEL AIRE.

Para asegurar la operación eficiente y una larga vida útil de la unidad compresora de aire, se debe preparar y seguir un programa de mantenimiento. El siguiente programa de mantenimiento está orientado a una unidad en un ambiente normal de trabajo y que opere diariamente. Si fuese necesario, el programa debe modificarse de acuerdo a las condiciones bajo las cuales se usa su compresor. Las modificaciones dependerán de las horas de operación y ambiente de trabajo. Los compresores que operen en ambientes extremadamente sucios y/u hostiles, requerirán que se les hagan todas las inspecciones de mantenimiento con mayor frecuencia. Lubricar el motor del compresor (si se requiere) de acuerdo a las instrucciones del fabricante que vienen junto con el motor.

PROGRAMMA DE MANTENIMIENTO RUTINARIO

Diario:

1. Drenar el agua del tanque de aire, de cualquier separador de humedad o transformador.
2. Detectar cualquier ruido y/o vibración inusual.
3. Inspeccionar manualmente todas las válvulas de seguridad para asegurarse que estén operando apropiadamente.
4. Inspeccionar el filtro de aire, reemplazar si fuese necesario.
5. Inspeccionar las costuras y tuberías para detectar fugas, reparar si fuese necesario.

Cada Año de Operación o si se Sospecha de Algún Problema:

Verificar las condiciones de las válvulas de entrada y salida de la bomba del compresor de aire. Reemplazar si se encuentran dañadas o gastadas.

Verificar las condiciones de la válvula de chequeo. Reemplazarla si estuviese dañada o gastada.

INSTRUCCIONES PARA EL SERVICIO

Filtro de Aire - Inspección y Reemplazo

Mantener el filtro de aire limpio en todo momento. No operar el compresor sin el filtro de aire.

Un filtro sucio impedirá que el compresor opere a máxima capacidad. Verificar que el filtro de aire esté limpio antes de usar el compresor.

Si estuviese sucio, simplemente sacarlo y reemplazarlo con un filtro nuevo.

Válvula de Seguridad - Inspección

⚠ ADVERTENCIA

SI LA VÁLVULA DE SEGURIDAD NO FUNCIONA APROPIADAMENTE, EL TANQUE PUEDE SOBRECARGARSE DE PRESIÓN Y ROMPERSE O REVENTAR. OCASIONALMENTE JALAR EL ANILLO EN LA VÁLVULA DE SEGURIDAD PARA ASEGURARSE QUE LA VÁLVULA OPERE LIBREMENTE. SI LA VÁLVULA SE ATRACA O NO OPERA CON SUAVIDAD, DEBE REEMPLAZARSE POR OTRA DEL MISMO TIPO.

Unidades con Válvula de Chequeo Externa de Bronce

Reemplazo

1. Desconectar el compresor. Drenar toda la presión de aire del tanque.
2. Retirar la cubierta.
3. Aflojar las tuercas superiores e inferiores del tubo de salida y retirarlo.

4. Retirar el tubo de alivio de presión y acople.
5. Sacar la válvula de chequeo desenroscándola (contra el sentido del reloj) usando una llave dado.
6. Verificar que el disco de la válvula se mueva libremente y que el resorte mantenga el disco en la posición superior de cierre. La válvula de chequeo puede limpiarse con un solvente fuerte.
7. Aplicar sellador a la rosca de la válvula de chequeo. Reinstalar la válvula de chequeo (girar en el sentido del reloj).
8. Volver a colocar el tubo de alivio de presión y el acople.
9. Volver a colocar el tubo de salida y ajustar las tuercas superior e inferior.
10. Volver a colocar la cubierta.

Motor

El motor tiene un protector térmico de sobrecarga con reposición automática. Si el motor recalienta por cualquier razón, el protector de sobrecarga apagará el motor. Debe permitirse que el motor se enfríe antes de volverlo a arrancar. Apagar la unidad. El compresor arrancará automáticamente cuando el motor se haya enfriado.

Si el protector de sobrecarga apaga el motor con frecuencia, buscar un posible problema de voltaje. También se puede sospechar de bajo voltaje cuando:

1. El motor no alcanza la máxima velocidad o potencia.
2. Se queman los fusibles al arrancar el motor o si la intensidad de las luces disminuye y permanece baja una vez que el motor ha arrancado y esté funcionando.

ALMACENAJE

Antes de guardar el compresor de aire, asegurarse de hacer lo siguiente:

1. Leer las secciones de "Mantenimiento" y «Procedimiento para Operar» en las páginas precedentes y hacer el mantenimiento según fuese necesario. Drenar el agua del aire que se hubiese acumulado en el tanque de aire.

2. Proteger el cordón eléctrico y manguera neumática para que no sufran daños (tales como pisarlos o pasar por encima). Enrollarlos alrededor del asa del compresor, pero sin ajustarlos.

Guardar el compresor de aire en un lugar seco y limpio.

GUÍA PARA DIAGNÓSTICO DE PROBLEMAS

⚠ ADVERTENCIA

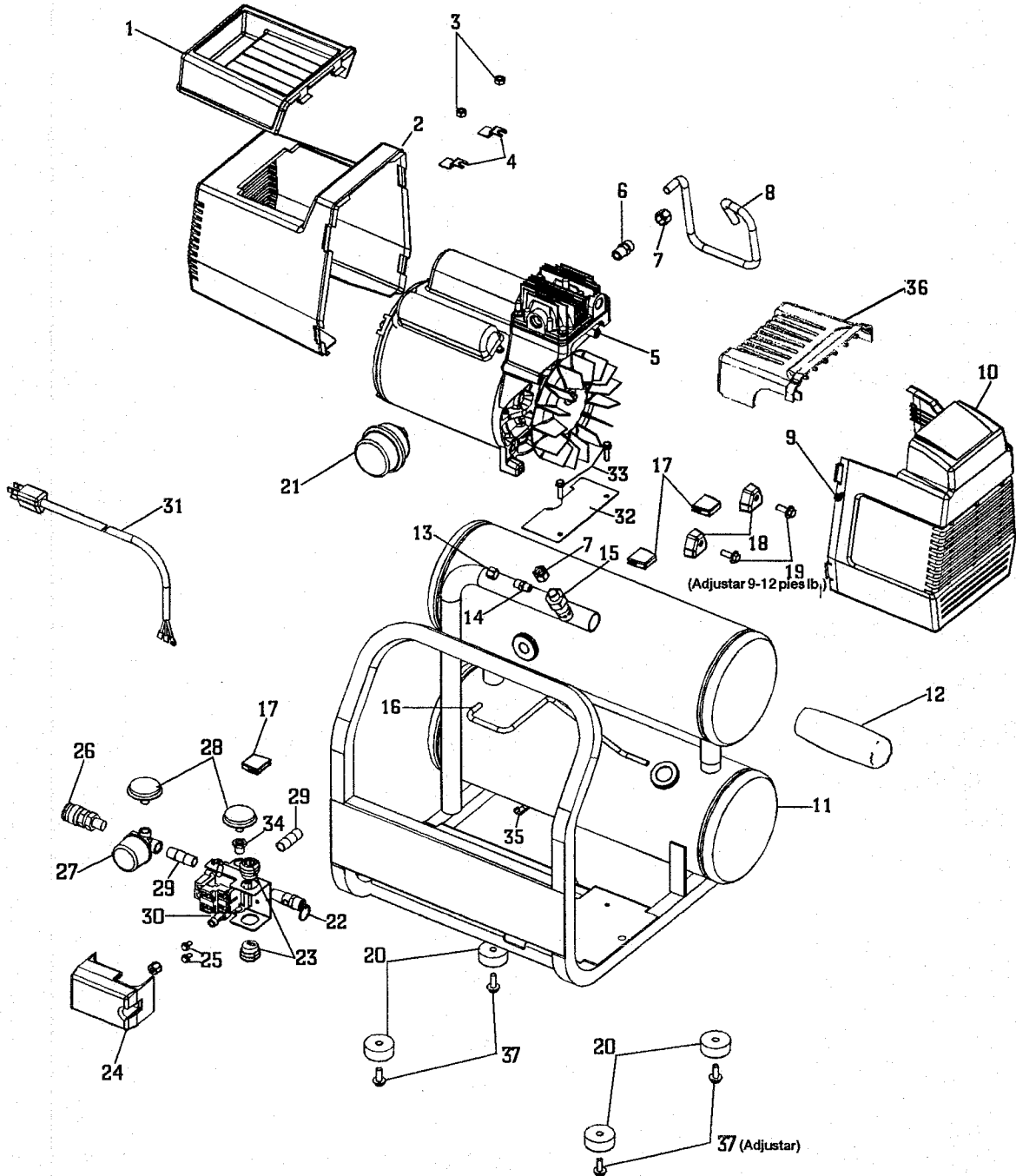
AL HACER EL MANTENIMIENTO PUEDEN QUEDAR EXPUESTAS LAS FUENTES DE VOLTAJE, PARTES MOVIBLES O FUENTES DE AIRE COMPRIMIDO. PUEDEN CAUSAR DAÑOS PERSONALES. ANTES DE INTENTAR HACER REPARACIONES, DESCONECTAR EL COMPRESOR Y ALIVIAR LA PRESIÓN DE AIRE DEL TANQUE.

| PROBLEMA | CAUSA | SOLUCIÓN |
|---|--|--|
| Presión excesiva en el tanque. La válvula de presión salta. | El interruptor de presión no apaga el motor cuando la presión alcanza el nivel de "corte". El nivel de la presión de "corte" está muy alto. | Mover la palanquita del interruptor de presión a la posición de "OFF". Si la unidad no se apaga y los contactos eléctricos se han fundido y pegado, reemplazar el interruptor de presión. Si los contactos están buenos, verificar si el conector al fondo del tanque en la parte de abajo de la válvula de alivio de presión está atracado. Reemplazar la válvula si el conector no se mueve libremente. Devolver la unidad a un distribuidor autorizado para que verifique, ajuste o reemplace el interruptor. |
| Fuga de aire por las uniones. | Los acoples del tubo no están lo suficientemente ajustados. | Ajustar los acoples donde se escuche que el aire escapa. Verificar las uniones con una solución de agua jabonosa. NO SOBREAJUSTAR. |
| Fugas de aire en o alrededor de la válvula de chequeo. | Válvula de chequeo sucia o defectuosa. | Una válvula de chequeo defectuosa produce constantes fugas de aire por la válvula de alivio de presión cuando hay presión en el tanque y el compresor está apagado. Retirar y limpiar o reemplazar la válvula. NO SOBREAJUSTAR. |
| Fugas de aire por el interruptor de presión de la válvula de alivio o desfogue. | Interruptor de presión de la válvula de alivio defectuoso. Válvula de chequeo defectuosa. | Reemplazar la válvula. Una válvula de chequeo defectuosa produce constantes fugas de aire por la válvula de alivio de presión cuando hay presión en el tanque y el compresor está apagado. Retirar y limpiar o reemplazar la válvula. NO SOBREAJUSTAR. |
| Fugas por las costuras del tanque de aire. | Tanque de aire defectuoso. | Reemplazar el tanque de aire. No reparar la fuga. ⚠ ADVERTENCIA NO PERFORAR, SOLDAR, NI MODIFICAR EL TANQUE DE AIRE EN FORMA ALGUNA PORQUE SE DEBILITARÁ Y PUEDE ROMPERSE O EXPLOTAR. |
| Fugas de aire entre el cabezal y la placa de la válvula. | Fugas por la empaquetadura. | Ajustar los pernos del cabezal a 10 pies Lb. Si ésto no detiene la fuga, reemplazar la empaquetadura. |
| La presión en el medidor del regulador cae cuando se conecta un accesorio. | Es normal que ocurra una "ligera" caída de presión. | Si hay una caída de presión excesiva cuando se conecta un accesorio, ajustar el regulador siguiendo las instrucciones de la página 6. NOTA Regular la presión bajo condiciones de flujo (mientras se usa el accesorio). |
| Fuga de aire por la válvula de seguridad. | Posible defecto en la válvula de seguridad. | Operar la válvula de seguridad manualmente bajando el anillo. Si la fuga persiste, reemplazar la válvula. |

— GUÍA PARA DIAGNÓSTICO DE PROBLEMAS (Cont.) —

| PROBLEMA | CAUSA | SOLUCIÓN |
|--|--|---|
| Sonido de golpes. | Válvula de chequeo defectuosa. | Retirar y limpiar o reemplazar. |
| El compresor no provee suficiente aire para operar los accesorios. | <p>Uso prolongado con aire excesivo.</p> <p>El compresor no es lo suficientemente grande para las necesidades de aire.</p> <p>Restricción de aire en el filtro de entrada.</p> <p>Hueco en la manguera.</p> <p>La válvula de chequeo está restringida.</p> <p>Fugas de aire.</p> | <p>Disminuir la cantidad de aire en uso.</p> <p>Verificar el requerimiento de aire del accesorio. Si es mayor que el SCFM o que la presión suministrada por el compresor de aire, se necesita un compresor más grande.</p> <p>Limpiar o cambiar el filtro de entrada de aire. No operar el compresor dentro del área de pintado.</p> <p>Verificar y reemplazar si es necesario</p> <p>Desmontar, limpiar o reemplazar.</p> <p>Ajustar las conexiones. (Ver la Sección Fugas de Aire en la Guía de Diagnóstico de Problemas).</p> |
| El motor no funciona. | <p>El interruptor de protección de sobrecarga ha saltado.</p> <p>La presión del tanque excede la presión de "corte" del interruptor.</p> <p>Calibre o largo del cordón de extensión están equivocados.</p> <p>Válvula de chequeo atascada en posición abierta.</p> <p>Conexiones eléctricas sueltas.</p> <p>Capacitador posiblemente defectuoso.</p> <p>Presencia de pintura que se ha rociado dentro de las partes del motor.</p> <p>Motor posiblemente defectuoso.</p> <p>Fusible volado, el interruptor de protección de sobrecarga ha saltado.</p> <p>La válvula de alivio en el interruptor de presión do ha descargado la presión del cabezal.</p> | <p>Dejar que el motor se enfríe y el interruptor de sobrecarga se reposicionará automáticamente.</p> <p>El motor arrancará automáticamente cuando la presión del tanque caiga por debajo del nivel de "arranque" del interruptor de presión.</p> <p>Verificar que el calibre y el largo del cable sean los adecuados.</p> <p>Desmontar, limpiar o reemplazar.</p> <p>Verificar la conexión del cable dentro del interruptor de presión y área de la caja de terminales del motor.</p> <p>Devolver a un Centro de Servicio de Garantía Autorizado para inspección o remplazo si fuese necesario.</p> <p>Devolver a un Centro de Servicio de Garantía Autorizado. No operar el compresor dentro del área de pintado. Ver la Advertencia sobre Vapores Inflamables.</p> <p>Devolver a un Centro de Servicio de Garantía Autorizado.</p> <ol style="list-style-type: none"> 1. Detectar fusibles volados en la caja de fusibles y reemplazar si es necesario. Reposicionar el interruptor de circuitos. No usar un fusible ni interruptor de circuito de mayor capacidad que el especificado para su circuito. 2. Verificar que el fusible sea el adecuado; sólo se aceptan fusibles "Fusetron" Tipo T. 3. Verificar si existen condiciones de bajo voltaje y que los cordones de extensión sean los adecuados. 4. Desconectar los demás artefactos eléctricos del circuito. El compresor debe operar en un circuito propio. <p>Drenar la línea moviendo la palanquita del interruptor de presión a la posición de OFF; si la válvula no se abre, reemplazarla.</p> |
| Fuga de aire continua por la perilla del regulador. El regulador de presión no cierra la salida de aire. | Partes internas del regulador sucias o dañadas. | Reemplazar el regulador. |

DIAGRAMA DEL COMPRESOR DE AIRE

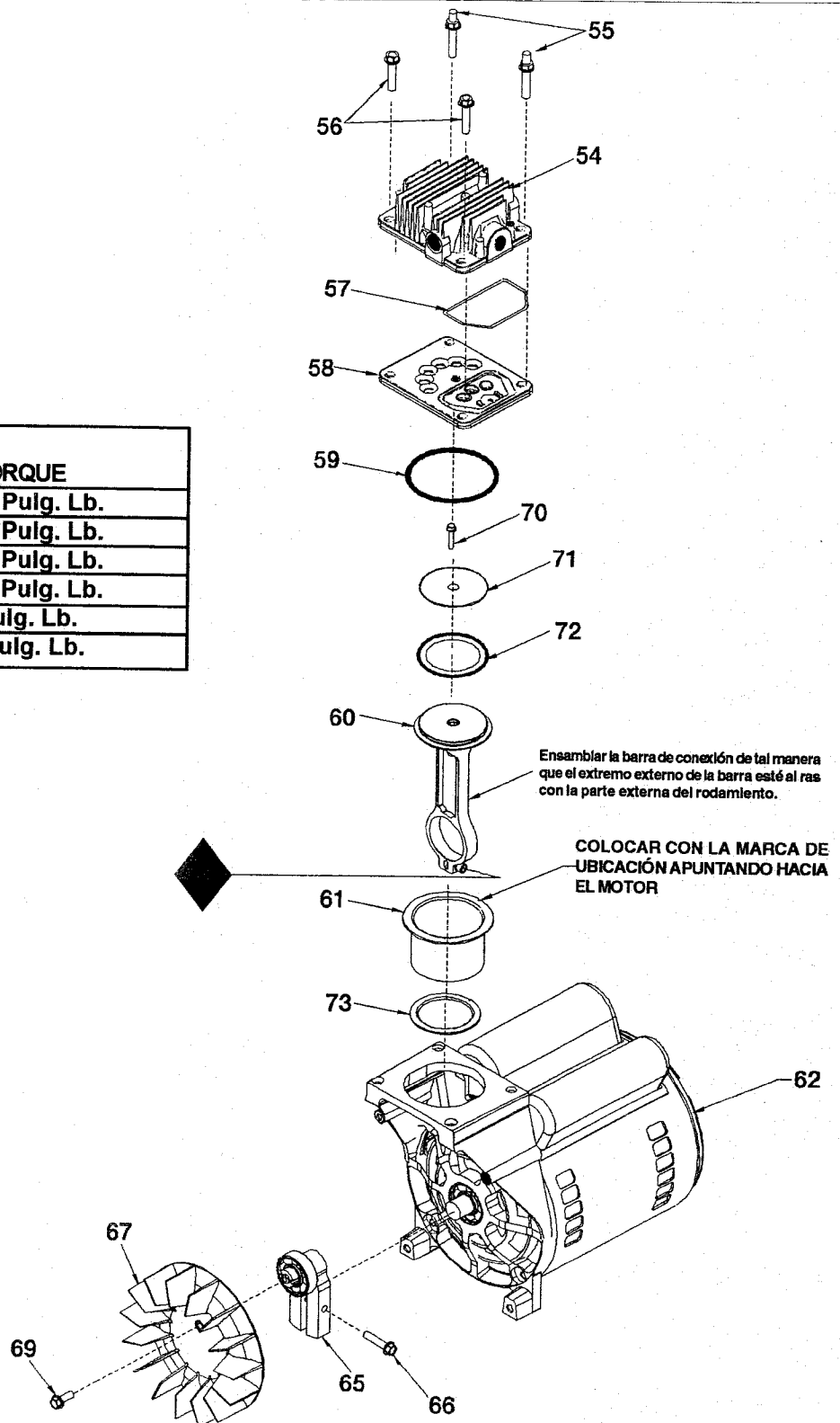


— LISTA DE PARTES DEL COMPRESOR DE AIRE —

| <u>NÚMERO EN DIAGRM.</u> | <u>NÚMERO DE PARTE</u> | <u>DESCRIPCIÓN</u> |
|------------------------------|----------------------------|--|
| 1 | CAC-1080 | Bandeja para Herramientas |
| 2 | AC-0233 | Cubierta Posterior |
| 3 | SS-655-ZN | Tuerca Hexagonal 1/4" - 20 UNC (se usan 2) |
| 4 | CAC-1121 | Braquete de la Cubierta (se usan 2) |
| 5 | AC-0234 | Bomba |
| 6 | SSP-6050 | Conector Macho 1/4" NPT |
| 7 | SSP-7813 | Tuerca 3/8" (se usan 2) |
| 8 | AC-0241-1 | Tubo de Salida |
| 9 | SSF-3156 | Tornillo (se usan 2) |
| 10 | AC-0078 | Cubierta Frontal |
| 11 | TA-4369 | Receptor de Aire |
| 12 | AC-0261 | Forro del Asa |
| 13 | SSP-7811 | Tuerca 1/4" (se usan 2) |
| 14 | SS-8553 | Cuerpo del Conector |
| 15 | CAC-4290-3 | Válvula de Chequeo |
| 16 | AC-0240-1 | Tubo de Alivio de Presión |
| 17 | ACG-19 | Aislante (se usan 3) |
| 18 | ACG-18 | Tapa para Pata (se usan 2) |
| 19 | 91895680 | Perno 1/4 -20 x 0.75 (se usan 2) |
| 20 | SST-5314-1 | Parachoques de Caucho (se usan 4) |
| 21 | AC-0253 | Filtro Solberg 3/8" NPT |
| 22 | TIA-4150 | Válvula de Seguridad |
| 23 | SSW-7367 | Buje de Alivio de Tensión (se usan 2) |
| 24 | CAC-359 | Cubierta del Interruptor de Presión |
| 25 | SSF-1001-1 | Perno 10-32 (se usan 2) |
| 26 | AC-0173 | Acople de Conexión Rápida |
| 27 | DAC-180 | Regulador de Presión |
| 28 | AC-0266 | Medidor (200 PSI) 1/8" (se usan 2) |
| 29 | SSP-513 | Niple 1/4 x 1/4 1.5 (se usan 2) |
| 30 | AC-0404 | Interruptor del Múltiple |
| 31 | SUDL-403-1 | Cordón Eléctrico |
| 32 | AC-0155 | Placa |
| 33 | SSN-8001 | Perno de Nylon (se usan 2) |
| 34 | SSP-6021 | Buje Reductor |
| 35 | AC-0430 | Válvula de Drenaje |
| 36 | AC-0403 | Cubierta del Cabezal |
| 37 | SSF-607 | Tornillo (se usan 4) |

- DIAGRAMA DE LA BOMBA DEL COMPRESOR DE AIRE -

| NÚMERO EN DIAG. | TORQUE |
|-----------------|---------------------|
| 55 | 100 a 120 Pulg. Lb. |
| 56 | 100 a 120 Pulg. Lb. |
| 66 | 100 a 120 Pulg. Lb. |
| 69 | 100 a 120 Pulg. Lb. |
| 70 | 50 a 60 Pulg. Lb. |
| ◆ | 42 a 48 Pulg. Lb. |



— LISTA DE PARTES DEL COMPRESOR DE AIRE —

| <u>NÚMERO EN DIAGRAMA</u> | <u>NÚMERO DE PARTE</u> | <u>DESCRIPCIÓN</u> |
|-------------------------------|----------------------------|--|
| 54 | AC-0236 | Cabezal |
| 55 | SSF-589 | Perno con Clavija en la Cabeza 1/4"-20 x 1 1/4" (se usan 2) |
| 56 | SSF-927 | Perno 1/4"-20 x 1 1/4" (se usan 2) |
| *✓57 | ACG-45 | Anillo "O" |
| 58 | AC-0032 | Ensamblaje de la Placa de la Válvula (incluye válvulas, restrictores y tornillos) |
| *✓59 | SSG-8156 | Anillo "O" |
| * 60 | — | Barra de Conexión |
| *✓61 | — | Manga del Cilindro (colocar con la marca de ubicación apuntando hacia el motor) |
| 62 | MO-9045 | Motor |
| 65 | AC-0140 | Cojinete Excéntrico de la Volante |
| 66 | SSF-615 | Tornillo 1/4"-20 UNC-2A |
| 67 | AC-0108 | Ventilador |
| 69 | SSF-586 | Tornillo 1/4"-20 unc x 0.75 |
| *✓70 | SSF-3158-1 | Tornillo 10-24 X 0.75 T25 Torx |
| * 71 | — | Tapa del tubo conector |
| *✓72 | — | Anillo de Compresión |
| 73 | DAC-161 | Lámina |
| | | <u>NE SE MUESTRA</u> |
| | KK-4315 | Válvula de Alivio de Presión |
| | AC-0281 | Filtro de Aire de Repuesto |

* Piezas No. 57, 59, 60, 61, 70, 71 y 72 pueden comprarse como parte del Juego de Cilindro/Pistón KK-4835.

✓ Piezas No. 57, 59, 61, 70 y 72 pueden comprarse como Juego de Manga del Cilindro/Anillo de Compresión K-0058.

MANUAL DEL OPERADOR PARA COMPRESOR DE AIRE DE LUBRICACIÓN PERMANENTE

MODELO NO.

MAC2200

GARANTÍA MAKITA LIMITADA DE UN AÑO Póliza de Garantía

Cada herramienta Makita es completamente inspeccionada y probada antes de salir de la fábrica. Se garantiza que no presentará defectos de fabricación ni de materiales durante un periodo de UN AÑO a partir de la fecha de la compra original. Si surgiese algún problema durante este periodo de un año, devolver la herramienta COMPLETA con flete prepagado a una de las Fábricas de Makita o a un Centro de Servicio Autorizado. Si la inspección indicase que el problema ha sido causado por un defecto de fabricación o material, Makita la reparará sin cargo alguno (o a opción de Makita, la reemplazará).

Esta garantía no se aplica cuando:

- Otros han hecho o han intentado hacer reparaciones
- Requiere reparaciones debido al desgaste normal
- La herramienta ha sido abusada, mal usada o el mantenimiento ha sido inadecuado
- Se han hecho alteraciones a la herramienta

En ningún caso Makita será responsable por daño alguno, ya sea indirecto, incidental o consecuente de la venta o uso del producto. Este desconocimiento de toda responsabilidad legal se aplica tanto al periodo de garantía como para después.

Makita no reconoce reclamos ni responsabilidad por garantía implícita alguna, incluyendo garantías implícitas para el "mercadeo" ni "adecuación del producto a usos específicos" después del término de un año de esta garantía.

Esta garantía le da a usted derechos legales específicos, y usted también puede tener otros derechos que varían de un estado a otro. Algunos estados no permiten la exclusión ni limitación a la responsabilidad por daños incidentales o consecuentes, por lo tanto la limitación o exclusión anterior podría no aplicarse a usted. Algunos estados no permiten la limitación al plazo de duración de las garantías implícitas, por lo tanto la limitación arriba indicada podría no aplicarse a usted.



GUIDE D'UTILISATION DU COMPRESSEUR D'AIR À LUBRIFICATION PERMANENTE

MODÈLE N° :
MAC2200

TABLEAU DES SPÉCIFICATIONS

| Modèle N° : | MAC2200 |
|---|------------------------|
| Puissance en c.-v. | 2 |
| Cylindrée (pi ³ /min) | 11.9 |
| pi ³ /min standard à 40 lb/po ² | 8.3 |
| pi ³ /min standard à 90 lb/po ² | 6.1 |
| Enclenchement | 100 lb/po ² |
| Coupe-circuit | 125 lb/po ² |
| Alésage | 2 3/8 po |
| Course du cylindre | 1.35 po |
| Tension-phase simple | 120 |
| * Genre de fusible | "Fusetron" Genre T |
| Intensité à pression max. | 15 ampères |
| Capacité du réservoir | 4 gallons |
| U.L. et CUL | |

Exigence de circuit minimale 15 ampères

* Un disjoncteur est recommandé. N'utilisez qu'un fusible ou disjoncteur qui a la même valeur nominale que le circuit de dérivation du compresseur d'air. Si le compresseur d'air est branché sur un circuit protégé par des fusibles, utilisez des fusibles à retardement.

REMARQUE :

Pour l'identification des pièces, voir la page 11.

IMPORTANT

Lire attentivement toutes les mesures de sécurité et directives avant de faire fonctionner l'appareil.

TABLE DES MATIÈRES

| | | | |
|--|-----|--|--------------------|
| MESURES DE SÉCURITÉ | 2 | PROCÉDURES OPÉRATIONNELLES | 7 |
| TABLEAU DE MISE EN GARDE | 3-4 | Liste de vérification quotidienne de mise en fonction | 7 |
| LEXIQUE | 5 | ENTRETIEN | 8 |
| FACTEUR D'UTILISATION | 5 | Filtre à air - Vérification et remplacement | 8 |
| RENSEIGNEMENTS GÉNÉRAUX | 5 | Soupape de sûreté - Vérification | 8 |
| INSPECTION SUR RÉCEPTION | 5 | Soupape de retenue - Remplacement | 8 |
| DESCRIPTION DU MODE OPÉRATIONNEL | 5 | Moteur | 8 |
| PROCÉDURES D'INSTALLATION ET DE MISE EN ROUTE | 6-7 | ENTREPOSAGE | 9 |
| Emplacement du compresseur d'air | 6 | GUIDE DE DÉPANNAGE | 9-10 |
| Lubrification et huile | 6 | DIAGRAMME DU COMPRESSEUR D'AIR | 11 |
| Rallonges | 6 | LISTE DES PIÈCES DU COMPRESSEUR D'AIR | 12 |
| Tubages | 6 | DIAGRAMME DE LA POMPE DU | |
| Directives de mise à la terre | 6-7 | COMPRESSEUR D'AIR | 13 |
| Commandes et régulateurs supplémentaires | 7 | LISTE DES PIÈCES DE LA POMPE DU | |
| Procédures de mise en route | 7 | COMPRESSEUR D'AIR | 14 |
| | | ÉNONCÉ DE GARANTIE | Couverture arrière |

MESURES DE SÉCURITÉ - DÉFINITIONS

Ce guide contient des renseignements importants que vous devez connaître et bien saisir. Ils portent sur votre SÉCURITÉ et sur la PRÉVENTION DE PROBLÈMES D'ÉQUIPEMENT. Pour vous aider à identifier le genre d'information traitée, nous avons placé des symboles à droite. Veuillez lire le guide et porter une attention particulière à ces sections.

▲ DANGER

INFORMATION URGENTE SUR LA SÉCURITÉ. UN DANGER QUI PEUT CAUSER DE GRAVES BLESSURES OU LA MORT.

▲ ATTENTION

Information pour prévenir des dommages à l'équipement.

▲ AVERTISSEMENT

INFORMATION IMPORTANTE SUR LA SÉCURITÉ. UN DANGER QUI POURRAIT CAUSER DE GRAVES BLESSURES OU LA MORT.

▲ AVIS

Information sur laquelle vous devriez porter une attention particulière.

MESURES DE SÉCURITÉ IMPORTANTES

• CONSERVEZ CES INSTRUCTIONS •







UNE UTILISATION OU UN ENTRETIEN INADÉQUATS DE CET APPAREIL PEUVENT ENTRAÎNER DE GRAVES BLESSURES ET DES DOMMAGES À LA PROPRIÉTÉ. LIRE ATTENTIVEMENT TOUTES LES MISES EN GARDE ET LES INSTRUCTIONS SUR LE FONCTIONNEMENT AVANT D'UTILISER CE PRODUIT.



⚠ AVERTISSEMENT

| DANGER | RISQUE | PRÉVENTION |
|---|---|--|
| <p>⚠ AVERTISSEMENT RISQUE D'ÉCLATEMENT</p>  | <p><i>Réservoir d'air</i></p> <ul style="list-style-type: none"> • <u>LES CONDITIONS SUIVANTES POURRAIENT ENTRAÎNER l'affaiblissement du réservoir et EN CAUSER L'EXPLOSION AVEC RÉACTION VIOLENTE.</u> <ol style="list-style-type: none"> 1. <u>LE DÉFAUT DE VIDANGER DE FAÇON APPROPRIÉE L'EAU condensée DANS LE RÉSERVOIR</u>, risque de causer la rouille et l'amincissement des parois en acier du réservoir. 2. <u>DES MODIFICATIONS</u> ou tentatives de réparation faites <u>SUR LE RÉSERVOIR.</u> 3. <u>DES MODIFICATIONS non autorisées APPORTÉES AU MANOSTAT, À LA SOUPAPE DE SÛRETÉ ou à TOUT AUTRE COMPOSANTE QUI CONTRÔLE LA PRESSION</u> du réservoir. <p><i>Fixations et accessoires</i></p> <ul style="list-style-type: none"> • <u>LE FAIT D'EXCÉDER LA PRESSION RECOMMANDÉE DES OUTILS PNEUMATIQUES</u>, pistolets pulvérisateurs, accessoires pneumatiques, pneus <u>ET AUTRES OBJETS GONFLABLES PEUT PROVOQUER L'EXPLOSION DE CES DERNIERS</u> ou la projection de leurs pièces causant ainsi de graves blessures. | <ul style="list-style-type: none"> • <u>PURGER LE RÉSERVOIR QUOTIDIENNEMENT OU APRÈS CHAQUE UTILISATION.</u> Si le réservoir accuse une fuite avec le temps, remplacez-le immédiatement par un nouveau réservoir ou un nouveau compresseur au complet. • <u>NE JAMAIS perforez avec une perceuse, souder ou FAIRE UNE MODIFICATION QUELCONQUE AU RÉSERVOIR</u> ou à ses accessoires. Ne jamais tenter de réparer un dommage ou une fuite sur le réservoir. Remplacer par un nouveau réservoir. • Le réservoir est conçu pour pouvoir subir des pressions particulières au fonctionnement. <u>NE JAMAIS FAIRE DE RAJUSTEMENTS OU DES SUBSTITUTIONS DE PIÈCES</u> pour modifier les <u>PRESSIONS DE FONCTIONNEMENT ÉTABLIES EN USINE.</u> • Pour un <u>CONTRÔLE ESSENTIEL DU COMPRESSEUR D'AIR</u>, vous devez installer un <u>RÉGULATEUR DE PRESSION</u> et un <u>MANOMÈTRE DE SORTIE</u> à la sortie de votre compresseur. • Suivre les recommandations du fabricant de l'équipement et ne jamais excéder la valeur nominale permmissible de pression des accessoires. <u>NE JAMAIS UTILISER LE COMPRESSEUR POUR GONFLER DES OBJETS À FAIBLE PRESSION TELS QUE LES JOUETS D'ENFANT, LES BALLONS DE FOOTBALL OU DE BALLON-PANIER, ETC.</u> |
| <p>⚠ AVERTISSEMENT RISQUE DE CHOC ÉLECTRIQUE</p>  | <ul style="list-style-type: none"> • Votre <u>COMPRESSEUR D'AIR</u> est alimenté à l'électricité. Comme avec tout dispositif alimenté à l'électricité, <u>IL Y A RISQUE DE CHOC ÉLECTRIQUE SI L'APPAREIL N'EST PAS UTILISÉ ADÉQUATEMENT.</u> • <u>MISE À LA TERRE : LE DÉFAUT DE FOURNIR UNE MISE DE TERRE APPROPRIÉE POUR CE PRODUIT PEUT ENTRAÎNER DE GRAVES BLESSURES OU LA MORT PAR ÉLECTROCUTION. VOIR LES INSTRUCTIONS DE MISE DE TERRE SI APPLICABLES.</u> | <ul style="list-style-type: none"> • <u>TOUT CÂBLAGE OU TOUTES RÉPARATIONS</u> requis pour cet appareil <u>DOIVENT ÊTRE EFFECTUÉS PAR UN ÉLECTRICIEN QUALIFIÉ OU LICENCIÉ</u> conformément aux codes sur l'électricité municipaux ou nationaux. • <u>S'ASSURER</u> que le <u>CIRCUIT ÉLECTRIQUE</u> auquel le compresseur est branché <u>FOURNIT UNE MISE DE TERRE APPROPRIÉE, UNE TENSION ET UN COUPE-CIRCUIT ADÉQUATS.</u> • Ne jamais faire fonctionner le compresseur à l'extérieur sous la pluie. |
| <p>⚠ AVERTISSEMENT RISQUE DE FEU OU D'EXPLOSION</p>  | <ul style="list-style-type: none"> • Il est normal que les <u>CONTACTS ÉLECTRIQUES</u> du moteur et du manostat <u>FASSENT DES ÉTINCELLES LORS DE LA MISE EN MARCHÉ OU DE L'ARRÊT DU COMPRESSEUR.</u> | <ul style="list-style-type: none"> • Toujours <u>FAIRE FONCTIONNER LE COMPRESSEUR DANS UN ENDROIT</u> bien ventilé, <u>LIBRE DE TOUTES VAPEURS D'ESSENCE OU DE SOLVANTS.</u> • En cas de vaporisation de matières inflammables sur les lieux, <u>PLACER LE COMPRESSEUR À 6 M (20 PI) au moins DE LA CABINE DE VAPORISATION.</u> • <u>RANGER LES MATIÈRES INFLAMMABLES</u> dans un endroit sûr, <u>LOIN DU COMPRESSEUR.</u> |

— MESURES DE SÉCURITÉ IMPORTANTES (con't) —

| DANGER | RISQUE | PRÉVENTION |
|---|---|---|
| <p>▲ AVERTISSEMENT</p> <p>RISQUE PAR INHALATION</p>  | <ul style="list-style-type: none"> • <u>L'AIR COMPRIMÉ</u> de votre compresseur <u>D'AIR N'EST PAS SÉCURITAIRE POUR L'INHALATION</u>. Le débit d'air peut contenir du monoxyde de carbone et d'autres vapeurs toxiques ou particules provenant du réservoir ou autres composants. • <u>MATIÈRES VAPORISÉES</u> telles que la peinture, les solvants de peinture, les décapants, les insecticides, les pesticides et autres, <u>CONTIENNENT DES VAPEURS NOCIVES</u> et toxiques. | <ul style="list-style-type: none"> • <u>NE JAMAIS INHALER L'AIR ÉMIS PAR LE COMPRESSEUR</u>, que ce soit directement ou d'un dispositif respirateur branché au compresseur. <u>TRAVAILLER DANS UN ENDROIT muni D'UNE BONNE VENTILATION TRANSVERSALE.</u> • Bien lire et <u>RESPECTER LES DIRECTIVES DE SÉCURITÉ</u> indiquées sur l'étiquette ou la fiche signalétique <u>DE LA MATIÈRE QUI EST VAPORISÉE. PORTER UN RESPIRATEUR HOMOLOGUÉ PAR LE NIOSH/MSHA</u> conçu <u>POUR</u> utilisation avec <u>L'APPLICATION</u> particulière qui est faites. |
| <p>▲ AVERTISSEMENT</p> <p>RISQUE DE PROJECTION D'OBJETS</p>  | <ul style="list-style-type: none"> • Le <u>DÉBIT D'AIR COMPRIMÉ PEUT CAUSER</u> des lésions aux tissus et <u>PEUT PROJETER</u> de la saleté, des copeaux, <u>des PARTICULES LIBRES</u> et de petits objets à haute vitesse, entraînant des dommages à la propriété ou des blessures. | <ul style="list-style-type: none"> • <u>PORTER TOUJOURS DES LUNETTES DE SÉCURITÉ HOMOLOGUÉES ANSI Z87.1</u> avec des écrans antiéclaboussures lors de l'utilisation du compresseur. • <u>NE JAMAIS POINTER</u> la buse ou le <u>PULVÉRISATEUR</u> vers soi, d'autres personnes ou des animaux. • Toujours <u>ÉTEINDRE</u> le compresseur <u>ET PURGER LA PRESSION</u> de la conduite d'air <u>AVANT</u> d'entamer l'entretien ou <u>D'AJOUTER</u> un accessoire. |
| <p>▲ AVERTISSEMENT</p> <p>RISQUE CAUSÉ PAR LES PIÈCES MOBILES</p>  | <ul style="list-style-type: none"> • Le <u>COMPRESSEUR FONCTIONNE AUTOMATIQUEMENT QUAND LA MANOSTAT EST EN POSITION DE MARCHÉ/AUTO!</u> Si vous tenter de réparer ou d'entamer l'entretien tandis que le compresseur fonctionne, ou que le commutateur est en position de marche/arrêt, vous exposez aux pièces mobiles. <u>Ces PIÈCES MOBILES PEUVENT CAUSER DE GRAVES BLESSURES</u> ou des dommages si elles entrent en contact avec vous ou vos vêtements. | <ul style="list-style-type: none"> • Toujours <u>DÉBRANCHER LE COMPRESSEUR ET PURGER LA PRESSION D'AIR</u> du réservoir et de tous les accessoires <u>AVANT DE TENTER DE PROCÉDER À UNE RÉPARATION OU À UN ENTRETIEN.</u> • <u>NE JAMAIS FAIRE FONCTIONNER LE COMPRESSEUR SANS LES GARDES</u> ni couverts ou lorsque ceux-ci sont <u>ENDOMMAGÉS.</u> |
| <p>▲ AVERTISSEMENT</p> <p>RISQUE DE BRÛLURES</p>  | <ul style="list-style-type: none"> • Un contact avec <u>DES PIÈCES CHAUDES</u> telles que la tête du compresseur ou des tubes de sortie <u>PEUVENT CAUSER DE GRAVES BRÛLURES À LA PEAU.</u> | <ul style="list-style-type: none"> • <u>NE JAMAIS TOUCHER À DES COMPOSANTES CHAUDES</u> durant ou immédiatement après le fonctionnement du compresseur. Ne pas approcher de près les dispositifs de protection ou tenter de faire l'entretien de l'appareil avant que celui-ci ne soit refroidi. |

LEXIQUE

CFM : pieds cubes par minute ($\text{pi}^3/\text{min.}$).

SCFM : pieds cubes par minute ($\text{pi}^3/\text{min.}$) standard. Une unité de mesure de libération d'air.

PSIG : (jauge) livres par pouce carré (lb/po^2). Une unité de mesure de pression.

ASME : American Society of Mechanical Engineers. Fabriqué, mis à l'essai, vérifié et enregistré pour répondre aux normes de la ASME.

Code de la Californie : L'appareil est conforme au Code 462 (L) (2)/ (M) (2) de la Californie. L'étiquette des modèles/spécifications est située sur le côté du réservoir des appareils qui sont conformes au Code de la Californie.

Pression d'enclenchement : Lorsque le moteur est en arrêt, la pression du réservoir d'air s'abaisse tandis que vous continuez d'utiliser votre accessoire ou outil pneumatique. Quand la pression du réservoir baisse à un certain taux de pression*, le moteur se

remet automatiquement en marche. La pression à laquelle le moteur se remet automatiquement en marche s'appelle la "pression d'enclenchement".

Pression de coupe-circuit : Lorsque vous mettez votre compresseur d'air en marche et qu'il se met à fonctionner, la pression d'air dans le réservoir commence à s'accumuler. La pression monte et atteint un certain taux avant que le moteur ne s'arrête automatiquement protégeant ainsi le réservoir d'air d'un taux de pression qui excèderait sa capacité. La pression à laquelle le moteur s'arrête s'appelle "la pression de coupe-circuit".

U.L. : Les produits portant la mention de l'U.L. figurent sur la liste des Underwriters Laboratories, Inc. (U.L.). Des échantillons de ces produits ont été évalués par l'U.L. et répondent aux normes de sécurité de l'U.L.

* Voir le tableau des spécifications en page frontispice.

FACTEUR D'UTILISATION

Tous les compresseurs d'air fabriqués par Makita doivent fonctionner à ou à moins de 50 % de leur facteur d'utilisation. Cela signifie qu'un compresseur qui pompe de l'air pendant plus de une demie heure en une heure (50 % de une heure) est considéré comme étant mal utilisé, le compresseur étant trop petit pour la demande d'air exigée. Le temps de pompage maximal pour un compresseur est de 30 minutes à l'heure.

RENSEIGNEMENTS GÉNÉRAUX

Ce compresseur d'air ne requiert aucune huile. Vous pouvez maintenant obtenir tous les avantages de posséder un compresseur d'air sans devoir acheter, ajouter ou changer d'huile.

Votre compresseur d'air peut être employé pour l'utilisation de pistolets à peindre, d'outils pneumatiques, de pistolets à calfeutrer, de pistolets graisseurs, de pinceaux vaporisateurs, de sableuses à jet ainsi que pour le gonflage de pneus et de jouets en plastique, la vaporisation de pesticides ou d'insecticides, etc. Un régulateur de pression d'air est fourni pour la plupart de ces applications.

Un transformateur à air qui combine les fonctions de régulation d'air et d'élimination de l'humidité et de la saleté devrait être utilisé lorsque applicable.

VÉRIFICATION SUR RÉCEPTION

DOMMAGES : Chaque compresseur d'air est soigneusement mis à l'essai et vérifié avant expédition. Une manutention inappropriée peut causer des dommages à l'appareil en transit et créer des problèmes de fonctionnement.

C'est pourquoi sur réception de l'appareil, vérifiez l'équipement tant pour les dommages visibles que pour les dommages cachés afin d'éviter les dépenses qui pourraient être encourues pour corriger ces problèmes. Cette vérification doit être faite peu importe s'il y a des dommages visibles ou non sur le contenant d'expédition. Si ce produit a été expédié directement à vos installations, déclarez tout dommage au transporteur et faites les arrangements nécessaires pour avoir immédiatement une inspection des biens.

DESCRIPTION DU MODE OPÉRATIONNEL

Robinet de purge : Le robinet de purge est situé à la base du réservoir d'air et est utilisé pour vidanger la condensation à la fin de chaque utilisation.

Déclencheur thermique à surmenage du moteur : Le moteur électrique est muni d'un déclencheur à maximum d'intensité automatique. Si le moteur surchauffe pour quelle que raison que ce soit, le déclencheur thermique à surmenage coupe le moteur. Il faut laisser refroidir le moteur avant de le faire démarrer à nouveau.

Interrupteur MARCHÉ/AUTO-ARRÊT (ON/AUTO-OFF) : Mettre en position de MARCHÉ (ON) pour fournir une puissance automatique au manostat et en position d'arrêt (OFF), pour couper la puissance à la fin de chaque utilisation.

Filtre d'admission d'air : Ce filtre est conçu pour purifier l'air qui entre dans la pompe. Le filtre doit toujours être nettoyé et libre de toute obstruction. Voir "Entretien".

Pompe du compresseur d'air : Pour comprimer l'air, le piston se déplace de haut en bas dans le cylindre. À la descente, l'air est tiré dans la soupape d'admission d'air. La soupape d'échappement demeure fermée. À la montée du piston, l'air est comprimé. La soupape d'admission d'air se ferme et l'air comprimé est poussé vers la soupape d'échappement, à travers le tuyau de sortie puis, à travers la soupape de retenue et dans le réservoir d'air. L'air d'exploitation n'est pas disponible avant que le compresseur n'ait élevé la pression du réservoir d'air au-dessus de la pression requise à la sortie d'air.

Soupape de retenue : Quand le compresseur fonctionne, la soupape de retenue "s'ouvre", permettant à l'air comprimé d'entrer dans le réservoir d'air. Quand le compresseur atteint la "pression de coupe-circuit", la soupape de retenue "se ferme", permettant à la pression d'air de demeurer à l'intérieur du réservoir d'air.

Suite ➡

— DESCRIPTION DU MODE OPÉRATIONNEL (suite) —

Détendeur de pression : Le détendeur de pression, situé sur le côté du manostat, est conçu pour libérer automatiquement l'air comprimé de la tête du compresseur et du tuyau de sortie lorsque le compresseur atteint la "pression de coupe-circuit" ou qu'il est fermé. Si l'air n'est pas libéré, le moteur essaie de démarrer mais en est incapable. Le détendeur de pression permet au moteur de redémarrer sans problème. Quand le moteur s'arrête, il est possible d'entendre l'air s'échapper du détendeur pendant quelques secondes. Aucun échappement d'air ne doit être entendu lorsque le moteur fonctionne ni continuer, une fois que l'appareil a atteint sa pression de coupe-circuit.

Manostat : Le manostat fait démarrer automatiquement le moteur lorsque la pression d'air dans le réservoir s'abaisse sous la "pression d'enclenchement" établie par la manufacture. Il coupe le moteur lorsque la pression d'air du réservoir atteint la "pression de coupe-circuit" établie par la manufacture.

Soupape de sûreté : Si le manostat ne coupe pas le compresseur d'air lorsqu'il atteint la valeur établie de la pression de coupe-circuit, la soupape de sûreté le protège contre la haute pression en "sautant" à sa valeur de pression établie en usine (légèrement supérieure à la valeur établie pour la pression de coupe-circuit du manostat).

Manomètre de sortie : Le manomètre de sortie indique la pression d'air disponible à la sortie du régulateur. Cette pression est contrôlée par le régulateur et est toujours égale ou inférieure à la pression du réservoir. Voir "Procédures opérationnelles".

Manomètre du réservoir : Le manomètre du réservoir indique la pression d'air en réserve dans le réservoir.

Régulateur : La pression d'air provenant du réservoir d'air est contrôlée par le bouton du régulateur. Tournez le bouton du régulateur dans le sens des aiguilles d'une montre pour augmenter la pression et dans le sens contraire, pour réduire la pression. Pour éviter des rajustements mineurs après avoir fait un changement dans le réglage de la pression, toujours approcher la pression voulue à partir d'une pression plus faible. Au moment d'établir un réglage élevé à un réglage inférieur, il faut d'abord réduire à une pression moindre que la pression voulue puis augmenter pour ramener à la pression voulue. Selon les exigences d'air de chaque accessoire particulier, le réglage de la pression d'air à la sortie peut nécessiter un ajustement lors de l'utilisation d'un accessoire.

- INSTALLATION ET PROCÉDURES DE MISE EN ROUTE -

Emplacement du compresseur d'air

Placez le compresseur d'air dans un endroit propre, sec et bien ventilé. Le filtre à air doit être libre de toute obstruction qui pourrait réduire le débit d'air fourni par le compresseur. Le compresseur d'air doit être situé à une distance minimale de 12 po d'un mur ou de toutes autres obstructions qui pourraient nuire au débit d'air. La tête et le boîtier du compresseur sont conçus pour permettre un refroidissement adéquat de l'appareil. Si l'humidité est élevée, un filtre à air peut être installé sur l'adaptateur de sortie d'air pour en éliminer l'excès. Suivez les directives sur l'emballage du filtre pour une installation appropriée.

Lubrification et huile

Cet appareil ne requiert aucune lubrification ni graissage à l'huile.

Rallonges

Utilisez une conduite d'air supplémentaire au lieu d'une rallonge pour éviter une baisse de tension, une perte de puissance et une surchauffe du moteur. Une faible tension peut causer des dommages au moteur.

Si une rallonge devait être utilisée, assurez-vous :

- N'utilisez qu'une rallonge trifilaire muni d'une fiche à trois dérivations avec mise de terre et une prise à trois embranchements qui accepte la fiche du compresseur d'air.
- qu'elle est en bon état.
- qu'elle n'excède pas 50 pi.
- qu'elle est d'un calibre minimal de 12 AWG (jauge américaine des fils). (La grosseur du fil augmente comme le numéro de jauge diminue). 10 AWG et 8 AWG peuvent également être utilisés. **N'UTILISEZ PAS UN CALIBRE DE 14 OU DE 16 AWG.**

Tuyaux

▲ AVERTISSEMENT

Les tuyaux en plastique ou en CPV ne sont pas conçus pour une utilisation avec un compresseur d'air. Peu importe les valeurs nominales de tension indiquées, un tuyau de plastique peut éclater sous la pression d'air. N'utilisez qu'un tuyau en métal pour les conduites de distribution d'air.

Tuyaux (suite)

Si un tuyau est requis, utilisez un tuyau qui est de même dimension que la sortie du réservoir d'air. Un tuyau trop petit restreint le débit d'air. Si la tuyauterie est de plus de 100 pi, utilisez le diamètre plus grand suivant. Mettre les conduites sous terre au-dessous de la ligne de gel et évitez les poches d'air où la condensation peut s'accumuler et geler. Appliquez la pression avant d'enterrer les conduites afin de vous assurer qu'aucun joint n'accuse de fuite.

DIRECTIVES DE MISE À LA TERRE

▲ AVERTISSEMENT

RISQUE DE CHOC ÉLECTRIQUE ! En cas de court circuit, la mise à la terre réduit les risques de choc en fournissant un fil de fuite pour le courant électrique. Le compresseur d'air doit être adéquatement mis à la terre.

Ce compresseur d'air est muni d'un cordon ayant un fil de terre avec une fiche appropriée de mise de terre. La fiche doit être utilisée avec une prise de courant installée et mise à la terre selon les normes et codes locaux. La prise doit avoir la même configuration que la fiche. Voir schéma. **N'UTILISEZ PAS D'ADAPTATEUR.**

Vérifiez la fiche et le cordon de l'appareil avant chaque utilisation. Ne les utilisez pas s'il y a des indices de dommages.

▲ DANGER

UNE MISE À LA TERRE INAPPROPRIÉE PEUT ENTRAÎNER DES CHOC ÉLECTRIQUES.

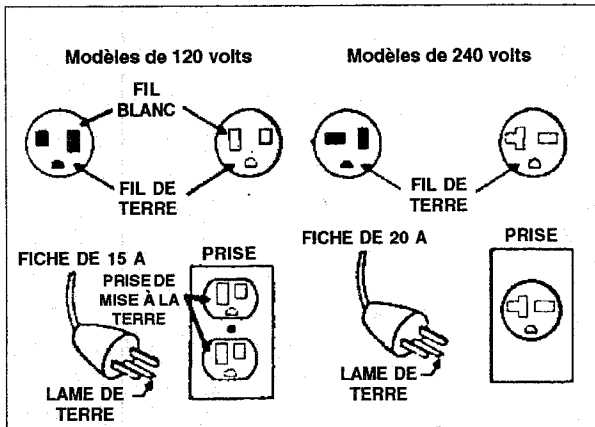
Ne modifiez pas la fiche qui est fournie. Si elle ne convient pas à la prise disponible, une prise adéquate doit être installée par un électricien qualifié.

- INSTALLATION ET PROCÉDURES DE MISE EN ROUTE -

DIRECTIVES DE MISE À LA TERRE (Suite)

Lors de la réparation ou du remplacement du cordon ou de la fiche, le fil de terre doit être gardé séparément des fils porteurs d'électricité. Ne branchez jamais le fil de terre à une fiche avec lame de contact plate. Le fil de terre est recouvert d'une gaine isolante dont la surface externe est verte - avec ou sans rayures jaunes.

Si vous ne saisissez pas parfaitement ces directives sur la mise à la terre, ou en cas de doute sur la façon dont le compresseur est mis à la terre, faites vérifier l'installation par un électricien qualifié.



Commandes et régulateurs supplémentaires

Étant donné que la pression du réservoir d'air est normalement plus élevée que la pression requise, un régulateur séparé est généralement employé pour régler la pression d'air avant tout dispositif à commande pneumatique distinct.

Un transformateur d'air distinct qui combine les fonctions de régularisation d'air et d'élimination de l'humidité et de la saleté doit être utilisé lorsque applicable.

PROCÉDURES OPÉRATIONNELLES

Liste de vérification quotidienne de mise en marche

1. Avant d'attacher le boyau d'air ou autres accessoires, assurez-vous que le levier du manostat est en position d'arrêt et que le régulateur d'air ou la soupape d'arrêt est fermée.
2. Fixez la conduite et les accessoires.

⚠ AVERTISSEMENT

UNE TROP FORTE PRESSION CAUSE UN RISQUE DANGEREUX D'ÉCLATEMENT. VÉRIFIEZ LES SPÉCIFICATIONS DES CARACTÉRISTIQUES DE PRESSION MAXIMALE DU FABRICANT POUR LES OUTILS ET LES ACCESSOIRES PNEUMATIQUES. LA PRESSION DE SORTIE DU RÉGULATEUR NE DOIT JAMAIS EXCÉDER LA VALEUR MAXIMALE DE PRESSION.

3. Mettez le levier du manostat en position de MARCHE/AUTO et laissez la pression s'accumuler dans le réservoir. Le moteur s'arrête quand la pression dans le réservoir atteint la pression de coupe-circuit.
4. Ouvrez le régulateur en tournant le bouton dans le sens des aiguilles d'une montre. Ajustez le régulateur au réglage de pression approprié. Le compresseur est prêt à être utilisé.
5. Faites toujours fonctionner le compresseur dans un endroit bien ventilé, libre de vapeurs d'essence ou d'autres solvants. Ne faites pas fonctionner le compresseur près d'un endroit où il y a vaporisation de peinture.

REMARQUE

Il est courant que le réservoir d'air contienne un peu d'eau en raison des mises à l'essai effectuées en usine.

Procédures de mise en route

⚠ MISE EN GARDE

Il y a risque de graves dommages si les directives de mise en route ne sont pas étroitement observées.

Cette procédure est requise :

1. Avant de mettre le compresseur d'air en fonction.
2. Lors du remplacement de la soupape de retenue.
3. Lors d'un remplacement complet de la pompe.
 - a. Mettre l'interrupteur du manostat en position d'arrêt (OFF).
 - b. Branchez le cordon électrique dans une prise de dérivation appropriée.
 - c. Tournez le robinet de vidange dans le sens des aiguilles d'une montre en l'ouvrant complètement, pour prévenir l'accumulation de pression d'air dans le réservoir.
 - d. Mettez l'interrupteur du manostat en position de mise en MARCHE/AUTOMATIQUE (ON/AUTO). Le compresseur se met alors en marche.
 - e. Faites fonctionner le compresseur pendant 15 minutes. Assurez-vous que le robinet est ouvert et qu'il y a un peu d'accumulation de pression dans le réservoir.
 - f. Après 15 minutes, fermez le robinet en le tournant complètement dans le sens contraire des aiguilles d'une montre. Le collecteur d'air se remplit jusqu'à la pression de coupe-circuit puis le moteur s'arrête. Le compresseur est maintenant prêt à être utilisé.

Une fois que vous avez terminé :

6. Mettez le levier du manostat en position D'ARRÊT.
7. En utilisant un outil ou accessoire pneumatique, abaissez la pression dans le réservoir à environ 20 lb/pi².
8. Enlevez l'outil ou l'accessoire pneumatique.
9. Purgez l'eau présente dans le réservoir d'air en ouvrant le robinet de vidange ou la soupape de purge situé sous le réservoir.

⚠ AVERTISSEMENT

UNE CONDENSATION D'EAU SE FORME DANS LE RÉSERVOIR D'AIR. SI ELLE N'EST PAS VIDANGÉE, L'EAU CORRODE ET AFFAIBLIT LE RÉSERVOIR D'AIR CAUSANT UN RISQUE DE RUPTURE DU RÉSERVOIR D'AIR.

REMARQUE

Si le bouchon du robinet de purge est bloqué, libérez toute pression d'air. Puis, enlevez le robinet, nettoyez-le et réinstallez-le.

10. Une fois que l'eau a été vidangée, fermez le robinet de vidange ou la soupape de purge. Le compresseur d'air peut maintenant être entreposé.

ENTRETIEN

⚠ AVERTISSEMENT

L'APPAREIL SE MET AUTOMATIQUEMENT EN MARCHÉ LORSQU'IL EST ALLUMÉ. AU COURS DE L'ENTRETIEN, IL SE PEUT QUE VOUS SOYEZ EXPOSÉ AUX SOURCES DE TENSION, À L'AIR COMPRIMÉ OU AUX PIÈCES MOBILES RISQUANT AINSI DES BLESSURES. DÉBRANCHEZ L'APPAREIL ET VIDangez TOUTE LA PRESSION DANS LE RÉSERVOIR D'AIR AVANT D'ENTAMER TOUT ENTRETIEN OU TOUTE RÉPARATION.

Afin d'assurer un rendement efficace et une durée de vie utile plus longue du compresseur d'air, un horaire d'entretien de routine doit être préparé et observé. L'horaire d'entretien de routine suivant est conçu pour un appareil utilisé tous les jours dans les conditions normales d'un milieu de travail. Au besoin, l'horaire doit être modifié pour convenir aux conditions dans lesquelles le compresseur est utilisé. Ces modifications varient selon les heures d'opération et le milieu de travail. Les compresseurs employés dans un environnement extrêmement souillé ou des conditions dures exigent des vérifications d'entretien plus fréquentes. Lubrifiez le moteur du compresseur (si requis) selon les directives du fabricant qui sont attachées au moteur.

HORAIRE D'ENTRETIEN DE ROUTINE

Tous les jours :

1. Vidangez l'eau du réservoir d'air, de tous transformateurs ou séparateurs d'humidité.
2. Vérifiez s'il y a des vibrations ou des bruits inhabituels.
3. Vérifiez manuellement toutes les soupapes de sûreté afin de vous assurer qu'elles fonctionnent adéquatement.
4. Vérifiez le filtre à air, remplacez au besoin.
5. Vérifiez les conduites d'air et les raccords pour vous assurer qu'il n'y a aucune fuite. Corrigez au besoin.

Tous les ans ou lorsqu'il pourrait y avoir un problème :

Vérifiez la condition de l'admission à la pompe du compresseur et les soupapes d'échappement. Remplacez-les s'il y a des indices de dommages ou d'usure.

Vérifiez l'état de la soupape de sûreté. Remplacez-la si elle est endommagée ou usée.

DIRECTIVES D'ENTRETIEN

Filtre air - Vérification et remplacement

Gardez le filtre à air propre en tout temps. Ne faites pas fonctionner le compresseur sans le filtre à air.

Un filtre à air souillé ne permet pas au compresseur de fonctionner à sa pleine capacité. Avant d'utiliser le compresseur, vérifiez le filtre à air pour vous assurer qu'il est propre.

Si il est souillé, il suffit de le tirer pour l'enlever et le remplacer.

Soupape de sûreté - Vérification

⚠ AVERTISSEMENT

SI LA SOUPAPE DE SÛRETÉ NE FONCTIONNE PAS ADÉQUATEMENT, UNE TROP FORTE PRESSION PEUT CAUSER LA RUPTURE OU L'EXPLOSION DU RÉSERVOIR D'AIR. TIREZ SUR L'ANNEAU DE LA SOUPAPE DE SÛRETÉ DE TEMPS À AUTRE POUR VÉRIFIER SI CETTE DERNIÈRE FONCTIONNE LIBREMENT. SI LA SOUPAPE EST BLOQUÉE OU NE FONCTIONNE PAS BIEN, CELLE-CI DOIT ÊTRE REMPLACÉE PAR UNE SOUPAPE DE SÛRETÉ DE MÊME GENRE.

4. Enlevez le tube détenteur de pression et la fixation.
5. Dévissez la soupape de retenue (tournez dans le sens contraire des aiguilles d'une montre) en utilisant une clé à douille.
6. Vérifiez pour vous assurer que le disque de la soupape se déplace librement dans la soupape de retenue et que le ressort retient le disque dans la position la plus haute (fermée). La soupape de retenue peut être nettoyée avec un solvant puissant.
7. Appliquez un scellant aux filaments de la soupape de retenue. Réinstallez la soupape de retenue (tournez dans le sens des aiguilles d'une montre).
8. Remplacez le tube détenteur de pression et la fixation.
9. Remplacez le tuyau de sortie et serrez les écrous du haut et du bas.
10. Remplacez le boîtier.

Le moteur

Le moteur est muni d'un déclencheur à maximum d'intensité automatique (ou à surmenage du moteur). Si le moteur surchauffe, quelle qu'en soit la raison, le déclencheur à maximum d'intensité coupe le moteur. Il faut laisser refroidir le moteur avant de le redémarrer à nouveau. Le compresseur redémarre automatiquement une fois que le moteur est refroidi.

Si le déclencheur à maximum d'intensité coupe fréquemment le moteur, vérifiez s'il y a un problème de tension. Une faible tension peut aussi être le problème si :

Appareils avec soupape de retenue externe en laiton - Remplacement

1. Libérez toute la pression du réservoir d'air et débranchez le compresseur.
2. Enlevez le boîtier.
3. Desserrez les écrous au haut et au bas du tuyau de sortie et enlevez-le.

1. Le moteur n'atteint pas sa pleine puissance ou vitesse.
2. Les fusibles sautent lorsque le moteur démarre. Les lumières s'affaiblissent et demeurent faibles lorsque le moteur est en marche.

ENTREPOSAGE

Avant d'entreposer le compresseur d'air, assurez-vous de suivre les étapes suivantes :

1. Consultez à nouveau les sections portant sur l'entretien et les procédures opérationnelles et effectuez les tâches d'entretien qui sont nécessaires. Assurez-vous de purger l'eau du réservoir d'air.

2. Protégez le cordon électrique et la conduite d'air contre tout dommage (pour éviter qu'un passant marche dessus ou trébuche sur le cordon). Enroulez-les lâchement autour de la poignée de l'appareil.

Entreposez le compresseur dans un endroit frais et sec.

GUIDE DE DÉPANNAGE

▲ AVERTISSEMENT

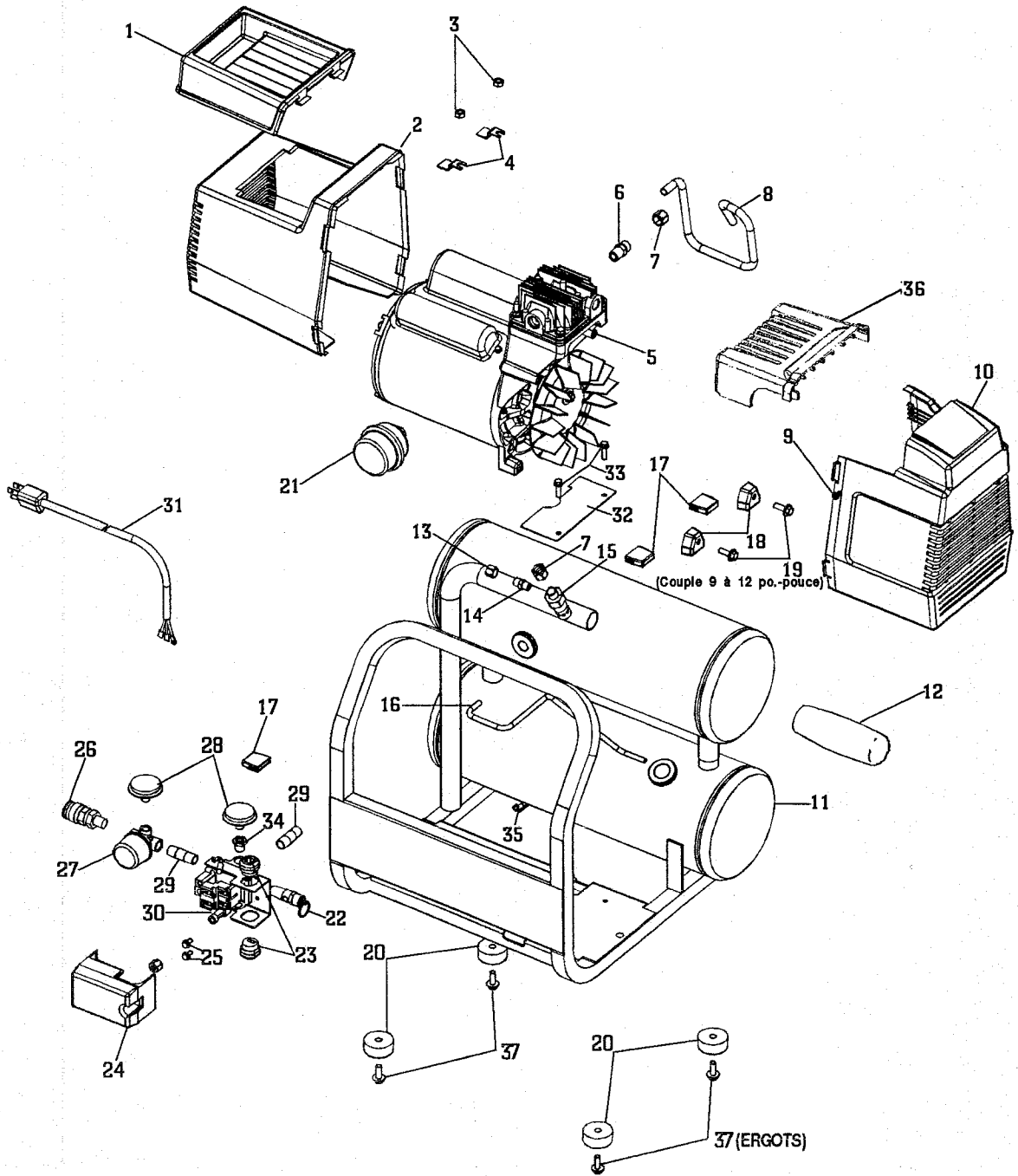
DES RÉPARATIONS PEUVENT VOUS EXPOSER AUX SOURCES DE TENSION, AUX PIÈCES MOBILES OU AUX SOURCES D'AIR COMPRIMÉ. RISQUE DE BLESSURES. AVANT D'ENTAMER TOUTE RÉPARATION, DÉBRANCHEZ LE COMPRESSEUR ET VIDangez LA PRESSION DU RÉSERVOIR D'AIR.

| PROBLÈME | CAUSE | CORRECTION |
|--|---|--|
| Trop forte pression dans le réservoir - la soupape de sûreté saute. | Le manostat ne coupe pas le moteur quand le compresseur atteint la pression de coupe-circuit. Le coupe-circuit du manostat est trop élevé. | Mettez le levier du manostat en position d'arrêt (OFF). Si l'appareil ne s'arrête pas, débranchez-le. Si les contacts électriques sont soudés ensemble, remplacez le manostat. Si les contacts sont bons, vérifiez si le pointeau du détendeur de pression est bloqué. S'il ne bouge pas librement, remplacez le détendeur. Retournez l'appareil à un détaillant autorisé pour vérification, ajustement ou remplacement du manostat. |
| Fuite d'air aux raccords. | Les raccords des conduites ne sont pas assez serrés. | Resserrez les raccords où vous pouvez entendre l'air s'échapper. Vérifiez les raccords à l'aide d'une solution savonneuse. ÉVITEZ DE TROP SERRER. |
| Fuite d'air à proximité ou à l'intérieur de la soupape de retenue. | Soupape de retenue défectueuse ou souillée. | Une soupape de retenue défectueuse cause une fuite d'air constante au détendeur de pression lorsqu'il y a pression dans le réservoir et que le compresseur est éteint. Enlevez et nettoyez ou remplacez la soupape de retenue. NE SERREZ PAS TROP. |
| Fuite d'air au détendeur de pression. | Levier du détendeur de pression défectueux. Soupape de retenue défectueuse. | Enlevez et remplacez le détendeur de pression. Une défectuosité dans la soupape de retenue cause une fuite d'air constante au détendeur de pression lorsqu'il y a pression dans le réservoir et que le compresseur est coupé. Enlevez et nettoyez ou remplacez la soupape de retenue. NE SERREZ PAS TROP. |
| Fuite d'air dans le réservoir d'air ou aux soudures du réservoir d'air. | Réservoir d'air défectueux. | Le réservoir d'air doit être remplacé. Ne réparez pas la fuite. ▲ AVERTISSEMENT NE PERCEZ PAS, NE SOUDEZ PAS NI AUTREMENT NE MODIFIEZ LE RÉSERVOIR D'AIR SINON LE RÉSERVOIR S'AFFAIBLIT ET IL Y A RISQUE DE RUPTURE OU D'EXPLOSION. |
| Fuite d'air entre la tête et la plaque de la soupape. | Fuite aux garnitures. | Réglez la tête des vis à 10 livres-pied. Si cela n'arrête pas la fuite, remplacez la garniture. |
| La lecture de pression sur le manostat baisse lorsqu'un accessoire est ajouté. | Il est normal qu'il y ait une certaine baisse de pression. | Si la baisse de pression est excessive lorsque l'accessoire est utilisé, ajustez le régulateur en suivant les directives en page 6. REMARQUE : Réglez la pression dans les conditions d'écoulement (pendant que l'accessoire est utilisé). |
| Fuite d'air à la soupape de sûreté. | Défectuosité possible de la soupape de sûreté. | Faites fonctionner la soupape de sûreté manuellement en tirant sur l'anneau. Si la soupape accuse toujours une fuite, remplacez-la. |

GUIDE DE DÉPANNAGE (Suite)

| PROBLÈME | CAUSE | CORRECTION |
|---|--|--|
| Cognements. | Soupape de retenue défectueuse. | Enlevez et nettoyez ou remplacez. |
| Le compresseur ne fournit pas assez d'air pour utiliser des accessoires. | Utilisation prolongée et excessive de l'air. Le compresseur n'est pas assez gros pour les exigences d'air. Filtre d'admission d'air obstrué. Conduite perforée. Soupape de retenue obstruée. Fuites d'air. | Réduire la quantité d'utilisation d'air. Vérifiez la demande d'air de l'accessoire. Si elle est plus élevée que le pi^3/min standard ou que la pression fournie par le compresseur d'air, vous avez besoin d'un plus gros compresseur. Nettoyez ou remplacez le filtre d'admission d'air. Ne faites pas fonctionner le compresseur d'air dans la chambre de vaporisation de peinture. Vérifiez et remplacez si nécessaire. Enlevez et nettoyez ou remplacez. Resserrez les raccords. (Voir la section portant sur les fuites d'air dans le Guide de dépannage). |
| Le moteur ne tourne pas. | Déclencheur à maximum d'intensité du moteur détendu. La pression du réservoir excède la pression d'enclenchement du manostat. Calibre du fil ou longueur de la rallonge inadéquats. La soupape de retenue demeure ouverte. Connexions électriques relâchées. Le condensateur peut être défectueux. Pièces du moteur internes vaporisées de peinture. Défaut possible du moteur. Fusible sauté, disjoncteur déclenché. Le détendeur de pression du manostat n'a pas libéré la pression de la tête. | Laisser refroidir le moteur. Le déclencheur à maximum d'intensité se remettra automatiquement à zéro. Le moteur démarre automatiquement lorsque la pression du réservoir baisse en-dessous de la pression d'enclenchement du manostat. Vérifiez si le calibre du fil et la longueur de la rallonge sont appropriés. Enlevez, nettoyez ou remplacez. Vérifiez la connexion des fils dans le manostat et la boîte de connexion. Retournez l'appareil à un Centre de service de garantie autorisé pour vérification ou remplacement si nécessaire. Faites vérifier par un Centre de service de garantie autorisé. Ne faites pas fonctionner le compresseur dans un endroit où il y a vaporisation de peinture. Voir l'avertissement sur les vapeurs inflammables. Faites vérifier par un Centre de service de garantie autorisé. <ol style="list-style-type: none"> Vérifiez la boîte à fusibles et remplacez tout fusible sauté au besoin. Rétablissez le disjoncteur. N'utilisez pas un disjoncteur ou un fusible d'une valeur nominale plus élevée que celle qui est indiquée pour votre circuit de dérivation particulier. Vérifiez si le fusible est adéquat. Seuls les fusibles de Fusetron genre T (ou son équivalent) sont acceptables. Vérifiez si la tension est faible et si la rallonge est adéquate. Débranchez les autres appareils électriques du circuit ou faites fonctionner le compresseur sur son propre circuit. Vidangez la conduite en poussant le levier du manostat en position d'arrêt (OFF). Si la soupape ne s'ouvre pas, remplacez-la. |
| Fuite d'air continue au bouton du régulateur. Le régulateur ne coupe pas à la sortie d'air. | Pièces internes du régulateur souillées ou endommagées. | Remplacez le régulateur. |

DIAGRAMME DU COMPRESSEUR D'AIR

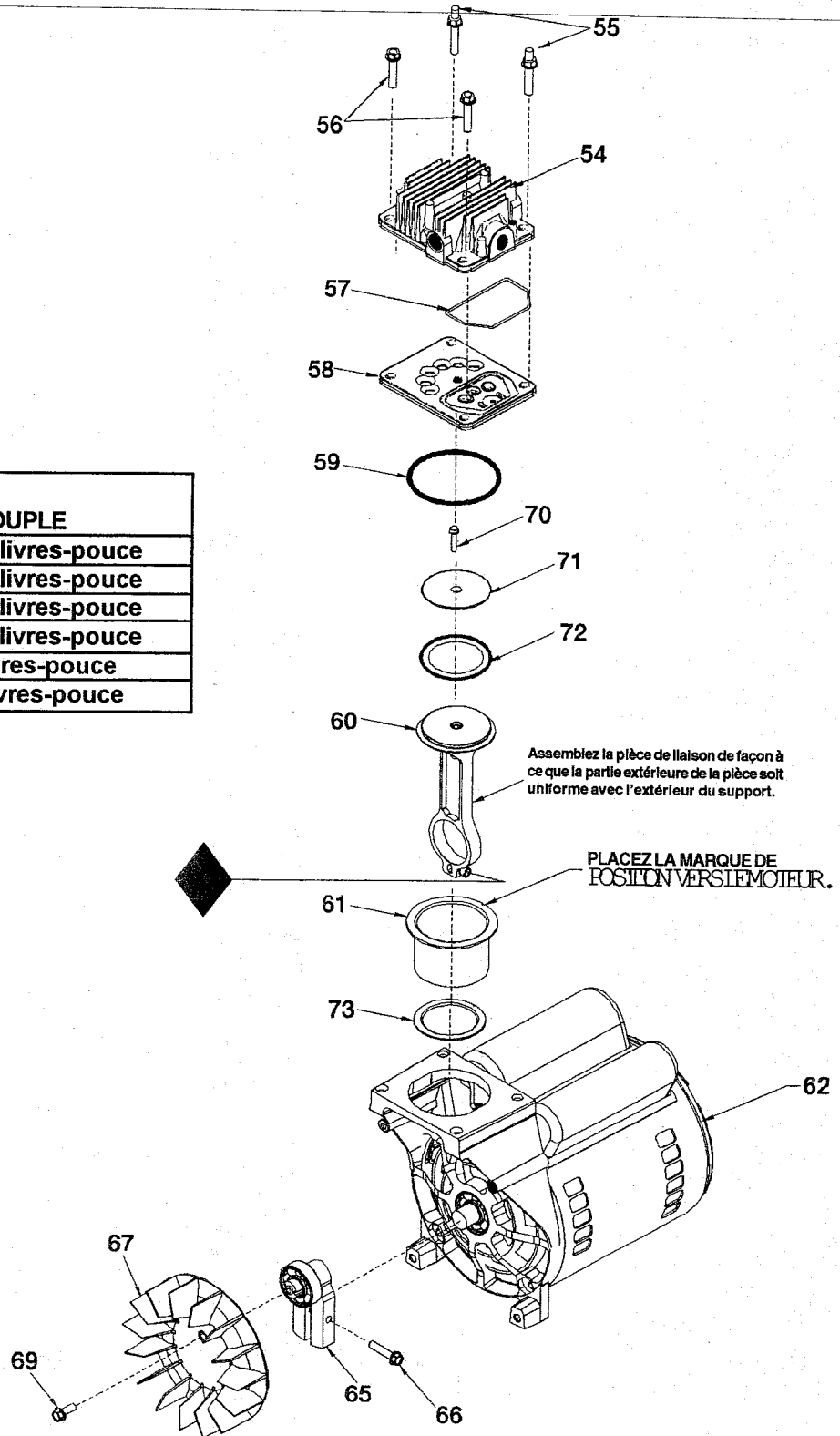


LISTE DES PIÈCES DU COMPRESSEUR D'AIR

| Clé N°: | Numéro de pièce | Description |
|---------|-----------------|---|
| 1 | CAC-1080 | Plateau à outils |
| 2 | AC-0233 | Boîtier arrière |
| 3 | SS-655-ZN | Écrou à six pans 2 oz (2 utilisés) |
| 4 | CAC-1121 | Fixation du boîtier (2 utilisées) |
| 5 | AC-0234 | Assemblage de la pompe |
| 6 | SSP-6050 | Connecteur mâle NPT 64 mm (1/4po) |
| 7 | SSP-7813 | Assemblage de manchon fileté de 95 mm (3/8 po) (2 utilisés) |
| 8 | AC-0241-1 | Tube de sortie |
| 9 | SSF-3156 | Vis (2 utilisées) |
| 10 | AC-0078 | Devant du boîtier |
| 11 | TA-4369 | Récepteur d'air |
| 12 | AC-0261 | Poignée à main |
| 13 | SSP-7811 | Assemblage de manchon fileté de 64 mm (1/4 po) (2 utilisés) |
| 14 | SS-8553 | Connecteur |
| 15 | CAC-4290-3 | Soupape de sûreté |
| 16 | AC-0240-1 | Tube du détendeur de pression |
| 17 | ACG-19 | Isolateur (3 utilisés) |
| 18 | ACG-18 | Bague du chevalet (2 utilisées) |
| 19 | 91895680 | Vis 64 mm (1/4 po) 20 x .75 (2 utilisées) |
| 20 | SST-5314-1 | Butoir en caoutchouc (4 utilisés) |
| 21 | AC-0253 | Filtre Solberg 95 mm (3/8 po) NPT |
| 22 | TIA-4150 | Soupape de sûreté |
| 23 | SSW-7367 | Bague du détendeur de pression (2 utilisées) |
| 24 | CAC-359 | Couvert du manostat |
| 25 | SSF-1001-1 | Vis 10-32 (2 utilisées) |
| 26 | AC-0173 | Connecteur rapide |
| 27 | DAC-180 | Régulateur de pression |
| 28 | AC-0266 | Manomètre (200 PSI) 32 mm (1/8 po) (2 utilisées) |
| 29 | SSP-513 | Mammelon 1/4 x 1/4 x 1.5 (2 utilisés) |
| 30 | AC-0404 | Interrupteur du collecteur |
| 31 | SUDL-403-1 | Assemblage du cordon électrique |
| 32 | AC-0155 | Plaque |
| 33 | SSN-2001 | Boulon en nylon (2 utilisés) |
| 34 | SSP-6021 | Raccord réducteur |
| 35 | AC-0430 | Robinet de vidange |
| 36 | AC-0403 | Capot |
| 37 | SSF-607 | Vis (4 utilisées) |

- DIAGRAMME DE LA POMPE DU COMPRESSEUR D'AIR -

| CLÉ N° : | COUPLE |
|-------------|------------------------|
| 55 | 100 à 120 livres-pouce |
| 56 | 100 à 120 livres-pouce |
| 66 | 100 à 120 livres-pouce |
| 69 | 100 à 120 livres-pouce |
| 70 | 50 à 60 livres-pouce |
| ◆ | 42 à 48 livres-pouce |



LISTE DES PIÈCES DE LA POMPE DU COMPRESSEUR D'AIR

| <u>CLÉ N°:</u> | <u>PIÈCES N°:</u> | <u>DESCRIPTION</u> |
|----------------|-------------------|---|
| 54 | AC-0236 | Tête |
| 55 | SSF-589 | Clous 1/4 po - 20 x 1 1/4 (2 utilisés) |
| 56 | SSF-927 | Vis 1/4 - 20 x 1 1/4 po (2 utilisées) |
| *√ 57 | ACG-45 | Anneau |
| 58 | AC-0032 | Plaque de montage de la soupape (comprend soupapes, restreignants et vis) |
| *√ 59 | SSG-8156 | Anneau |
| * 60 | — | Montage de la pièce de liaison |
| *√ 61 | — | Manchon de cylindre (placez la marque de position vers le moteur) |
| 62 | MO-9045 | Moteur |
| 65 | AC-0140 | Montage du support du volant excentrique |
| 66 | SSF-615 | Vis 1/4 -20 unc-2A |
| 67 | AC-0108 | Ventilateur |
| 69 | SSF-586 | Vis 1/4-20 unc x .75 |
| *√ 70 | SSF-3158-1 | Vis 10-24 x.75 T25 Torx |
| * 71 | — | Capuchon de la pièce de liaison |
| *√ 72 | — | Anneau de compression |
| 73 | DAC-161 | Cale d'espacement |
| | | <u>NON INDIQUÉ</u> |
| | KK-4315 | Détendeur de pression |
| | AC-0281 | Filtre à air de remplacement |

* Les clés 57, 59, 60, 61, 70, 71 et 72 ne peuvent être achetées que comme pièces faisant partie de la trousse piston/cylindre KK-4835.

✓ Les clés 57, 59, 61, 70 et 72 peuvent être achetées comme faisant partie de la trousse manchon de cylindre/anneau de compression K-0058.

NOTES D'ENTRETIEN

GUIDE D'UTILISATION

DU COMPRESSEUR D'AIR À LUBRIFICATION PERMANENTE

MODEL N° :
MAC2200

GARANTIE LIMITÉE DE UN AN DE MAKITA

Garantie

Chaque outil Makita fait l'objet d'une vérification complète et d'essais avant de quitter la manufacture. Nous garantissons le produit contre tout défaut de fabrication et ce, pour une période de UN AN, à compter de la date d'achat original. Si un problème se développe durant cette période de un an, retournez l'outil AU COMPLET, fret payé d'avance, à l'une des manufactures ou à l'un des centres de service autorisés de Makita. Si après vérification, le produit est jugé défectueux en raison d'un défaut de fabrication, Makita s'engage à le réparer (ou à sa discrétion, à le remplacer) sans frais.

Cette garantie ne s'applique pas dans les conditions suivantes :

- Des réparations ont été effectuées ou tentées par des personnes non autorisées.
- Des réparations sont nécessaires en raison d'une usure normale.
- Il y a eu abus, mauvaise utilisation ou mauvais entretien de l'outil.
- Des modifications ont été apportées à l'outil.

En aucun cas, Makita ne peut être tenue responsable pour tous dommages indirects ou accessoires lors de la vente ou de l'utilisation de ce produit. Ce déni de responsabilité s'applique tant durant qu'après la période de garantie.

Makita décline toute responsabilité pour toutes garanties implicites, y compris les garanties implicites sur la qualité loyale et marchande ainsi que de l'à-propos du produit pour un but particulier, après la période de garantie de un an.

Cette garantie vous donne des droits légaux particuliers. Il se peut que vous ayez d'autres droits qui varient selon les provinces ou les états. Certaines provinces ou états ne permettent pas l'exclusion ou la limitation de dommages indirectes ou accessoires. Il est donc possible que l'exclusion ou la limitation ne s'applique pas à vous. Certaines provinces ou états ne permettent pas la limitation sur la durée de la garantie implicite aussi, la limitation plus haut indiquée ne s'applique pas nécessairement à vous.

Free Manuals Download Website

<http://myh66.com>

<http://usermanuals.us>

<http://www.somanuals.com>

<http://www.4manuals.cc>

<http://www.manual-lib.com>

<http://www.404manual.com>

<http://www.luxmanual.com>

<http://aubethermostatmanual.com>

Golf course search by state

<http://golfingnear.com>

Email search by domain

<http://emailbydomain.com>

Auto manuals search

<http://auto.somanuals.com>

TV manuals search

<http://tv.somanuals.com>