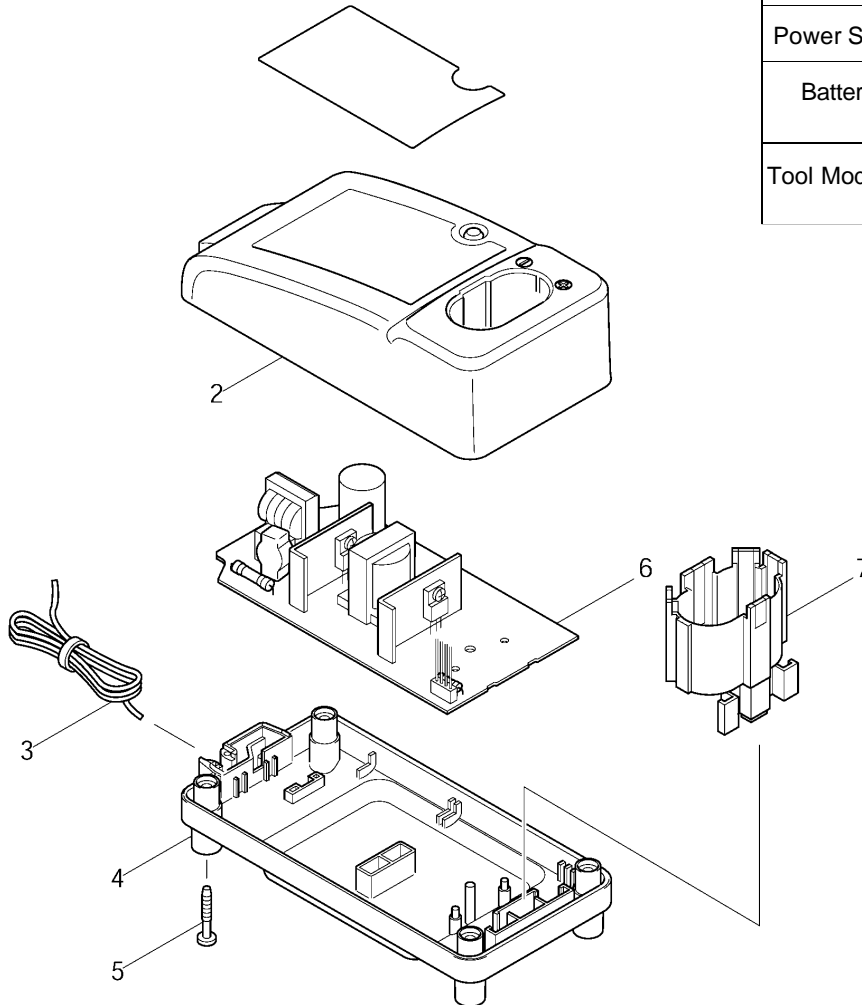


CHARGER For 7.2V ~ 18V Ni-Cad & Ni-MH 1.3 ~ 3.0AH Batteries Model DC1804 (MJ)

| | |
|----------------|---|
| Model No. | DC1804 |
| Part No. | DC1804 |
| Power Source | A.C. Only 115V |
| Batteries | For 7.2V ~ 18 V, 1.3Ah ~ 3.0Ah Ni-Cad or Ni-MH Batteries |
| Tool Model No. | All 7.2V ~ 18V Cartridge Battery Tool Models |



| Item No. | Part No. | No. Used | Description |
|----------|----------|----------|---|
| 2 | 153714-1 | 1 | Charger Case Com |
| 3 | 667982-5 | 1 | Cord With Plug 2P-18-2.0 |
| 4 | 418339-1 | 1 | Charger Case Cover |
| 5 | 265999-8 | 4 | Tapping Screw 4X25 |
| 6 | 631567-3 | 1 | Circuit Board [Includes 647321-5 - Varistor, 652727-4 - Fuse (3.15A) & 652763-0 - Fuse (5A)] |
| 7 | 418392-7 | 1 | Battery Box |

04-2004

Free Manuals Download Website

<http://myh66.com>

<http://usermanuals.us>

<http://www.somanuals.com>

<http://www.4manuals.cc>

<http://www.manual-lib.com>

<http://www.404manual.com>

<http://www.luxmanual.com>

<http://aubethermostatmanual.com>

Golf course search by state

<http://golfingnear.com>

Email search by domain

<http://emailbydomain.com>

Auto manuals search

<http://auto.somanuals.com>

TV manuals search

<http://tv.somanuals.com>